



US00D773882S

(12) **United States Design Patent** (10) **Patent No.:** **US D773,882 S**
Halton (45) **Date of Patent:** **** Dec. 13, 2016**

(54) **FOOD PREPARATION BLENDER**
(71) Applicant: **Brand Developers Limited**, Auckland (NZ)
(72) Inventor: **Philippa Halton**, Auckland (NZ)
(73) Assignee: **Brand Developers Limited**, Auckland (NZ)
(**) Term: **15 Years**
(21) Appl. No.: **29/540,987**
(22) Filed: **Sep. 29, 2015**

(30) **Foreign Application Priority Data**
Apr. 2, 2015 (AU) 11797/2015
(51) **LOC (10) Cl.** **31-00**
(52) **U.S. Cl.**
USPC **D7/386; D7/376; D7/378; D7/384**
(58) **Field of Classification Search**
USPC D7/326, 372-373, 376-386, D7/412-413, 602, 629, 665-666, 669, D7/679, 693-694; D19/73; D21/662
CPC A21C 1/02; A21C 1/04; A23N 1/00; A23N 1/02; A47J 42/08; A47J 43/04; A47J 43/25; A47J 43/27; A47J 43/042; A47J 43/044; A47J 43/046; A47J 43/075; A47J 43/0722; A47J 43/0727; B01F 3/00; B01F 3/0807; B01F 3/0853; B01F 13/0059; B01F 13/0064; B02C 1/08; B02C 2/04; B02C 4/42; B02C 4/142; B02C 4/143; B02C 4/423; B02C 13/1835; B28C 5/10; B28C 5/12; B28C 5/14; B28C 5/16
See application file for complete search history.

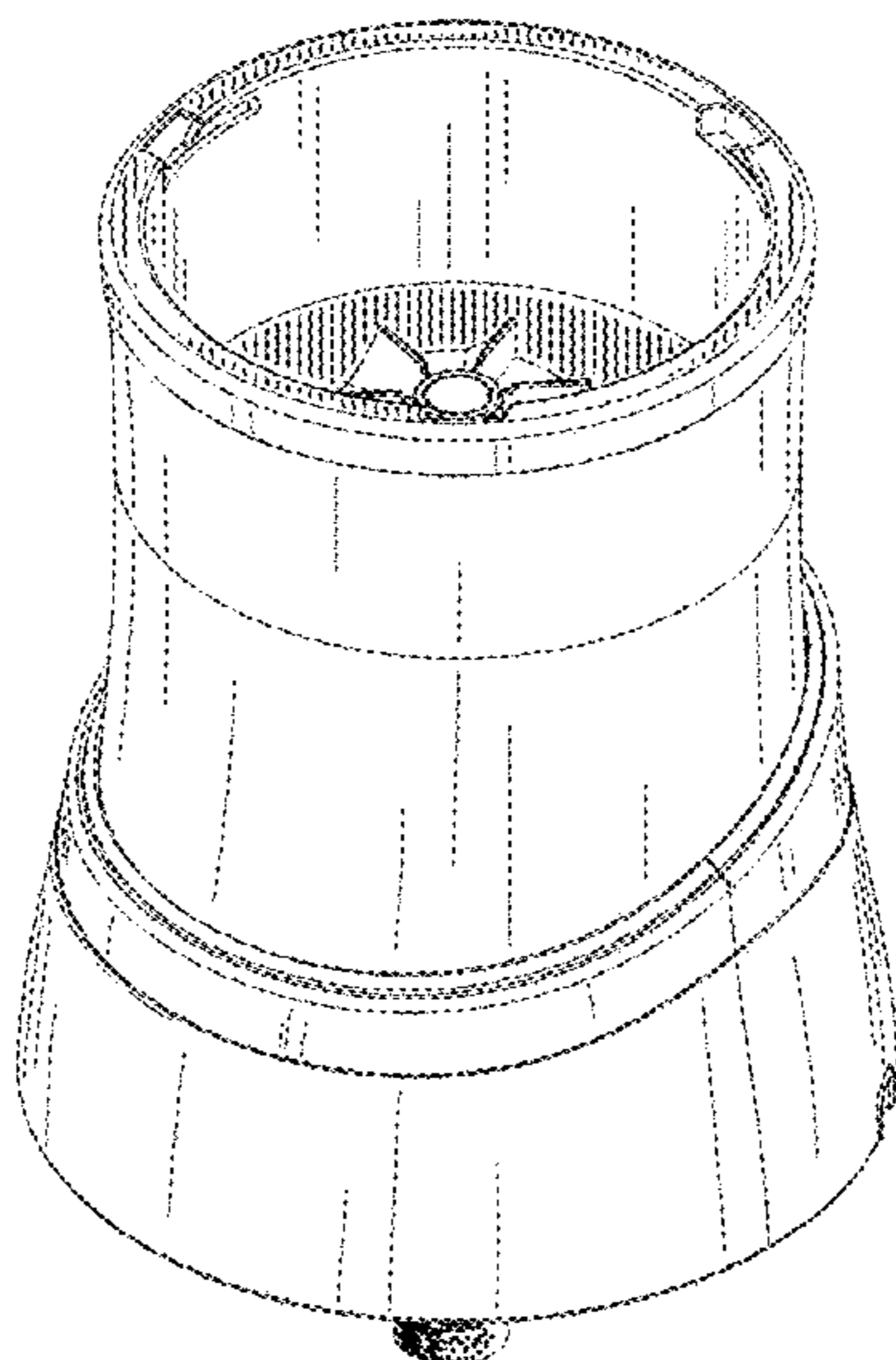
(56) **References Cited**
U.S. PATENT DOCUMENTS
D269,489 S * 6/1983 Akita D7/372
D318,398 S * 7/1991 Disco D7/378
D448,236 S * 9/2001 Murray D7/326
D550,506 S * 9/2007 Spitzer D7/412
D554,427 S * 11/2007 Sands D7/378
D603,215 S * 11/2009 Hollinger D7/378
D617,603 S * 6/2010 Garman D7/373
D621,206 S * 8/2010 Matta D7/372
D622,772 S * 8/2010 Farnworth D19/73
D668,114 S * 10/2012 Cozzolino D7/376
D715,095 S * 10/2014 Ho D7/376
D760,331 S * 6/2016 Gilchrist D21/662
2002/0117566 A1 * 8/2002 Cheng A47J 42/08 241/169.1

* cited by examiner
Primary Examiner — Ricky Pham
(74) *Attorney, Agent, or Firm* — Jonathan A. Kidney; TechLaw LLP

(57) **CLAIM**
The ornamental design for a food preparation blender, as shown and described.

DESCRIPTION
FIG. 1 is a rear view of a food preparation blender showing my new design;
FIG. 2 is a bottom view thereof;
FIG. 3 is a front view thereof;
FIG. 4 is a rear, top perspective view thereof;
FIG. 5 is a rear, bottom perspective view thereof;
FIG. 6 is a front, top perspective view thereof;
FIG. 7 is a right side view thereof;
FIG. 8 is a left side view thereof; and,
FIG. 9 is a top view thereof.

1 Claim, 9 Drawing Sheets



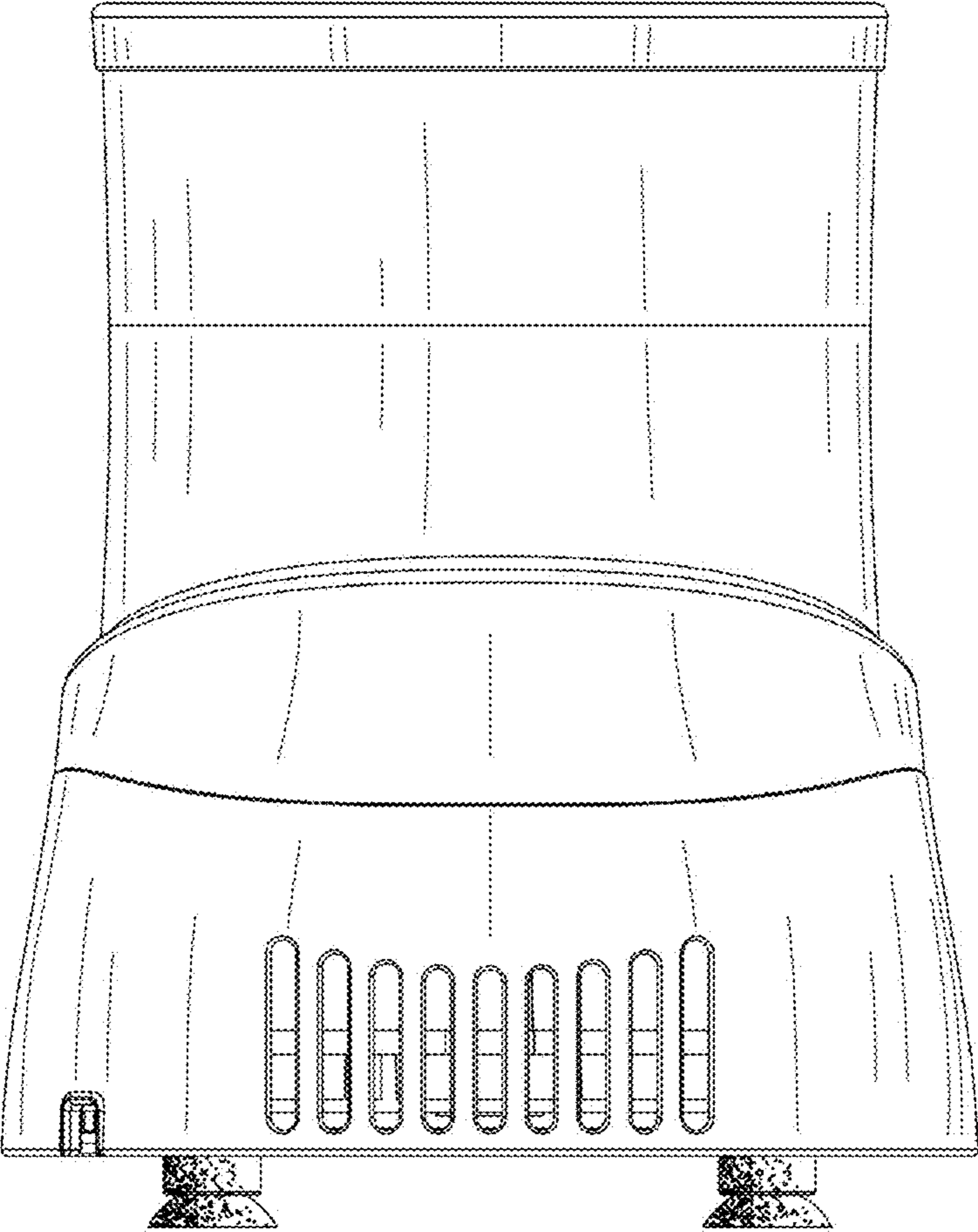


FIG. 1

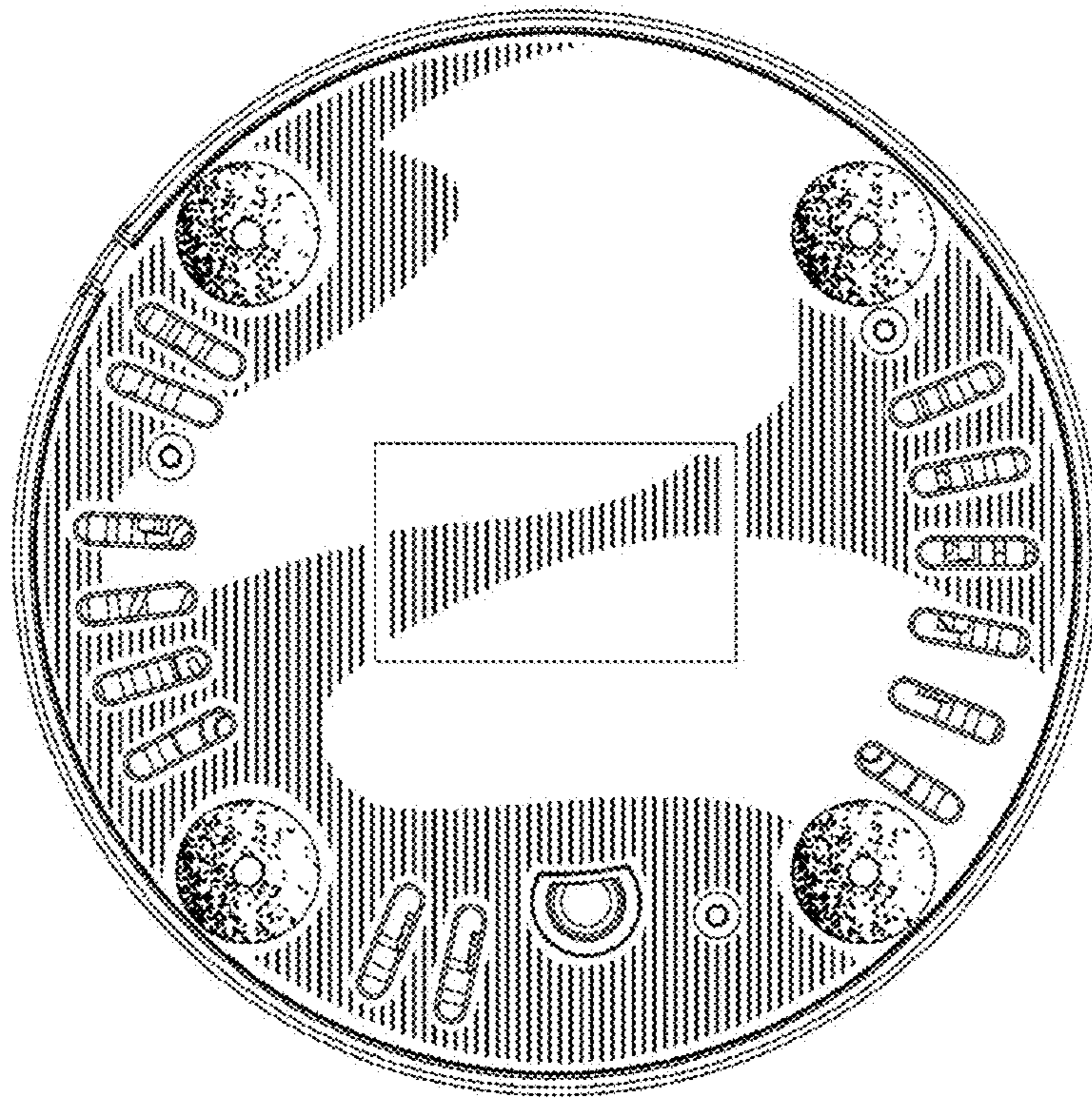


FIG. 2

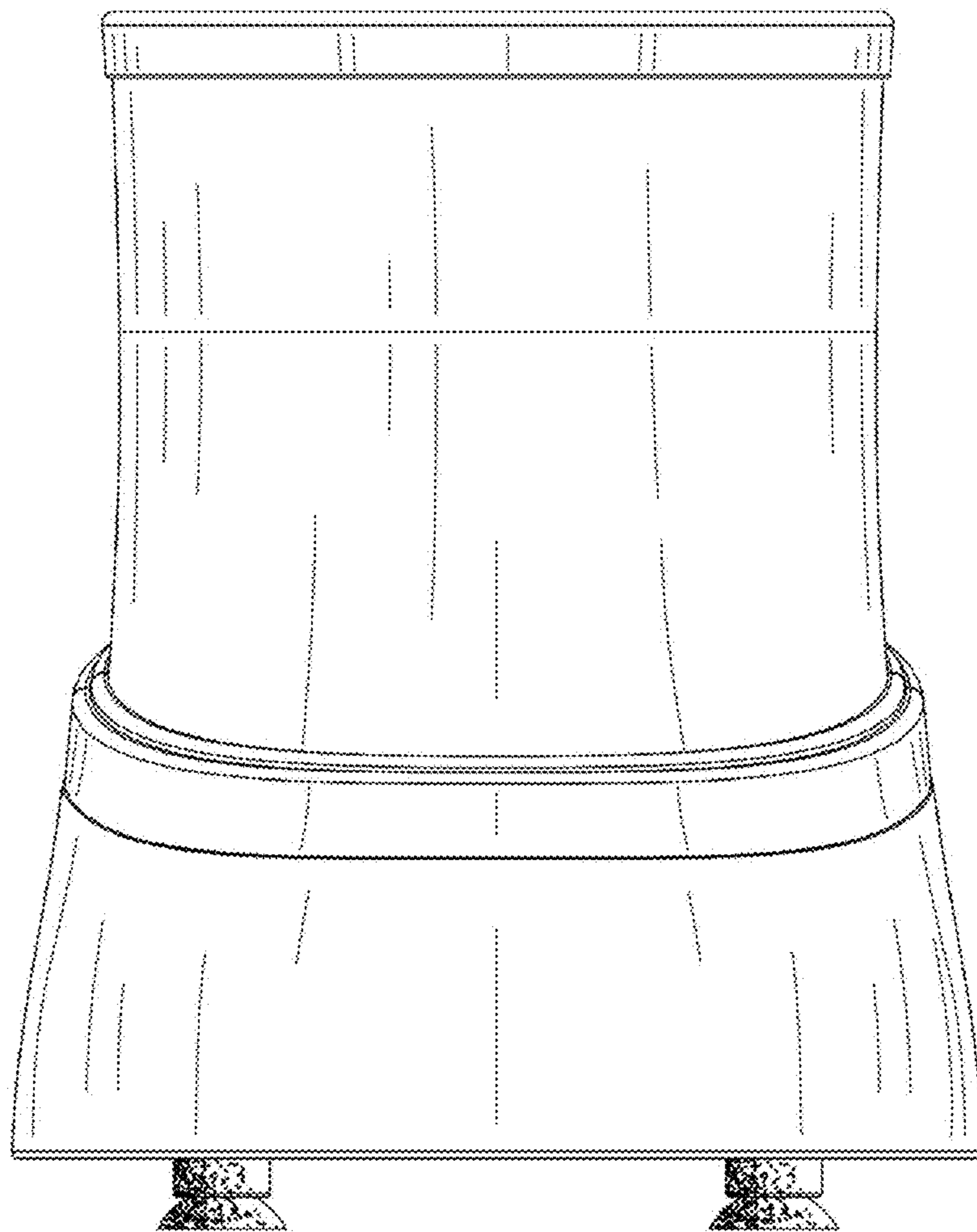


FIG. 3

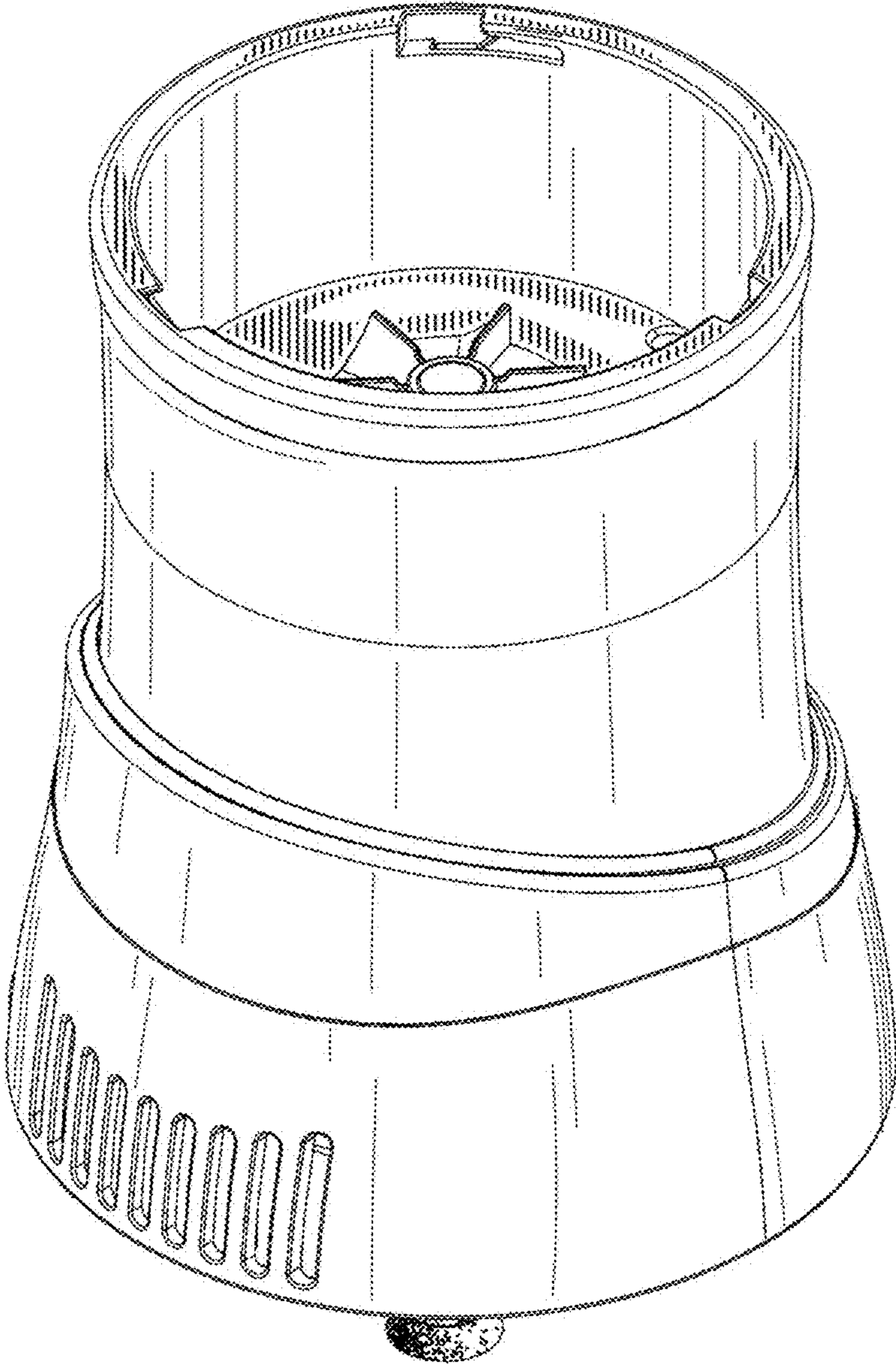


FIG. 4

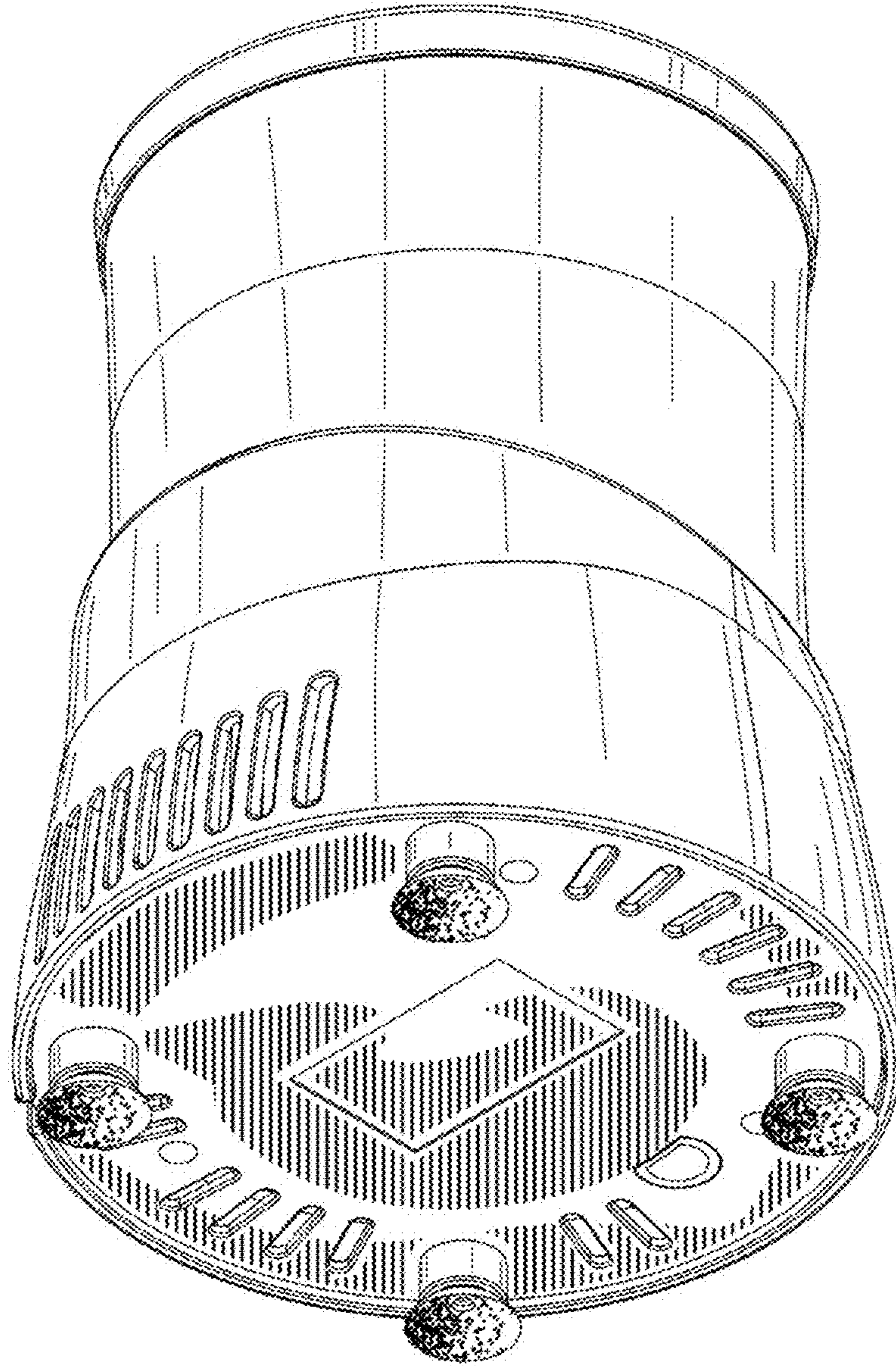


FIG. 5

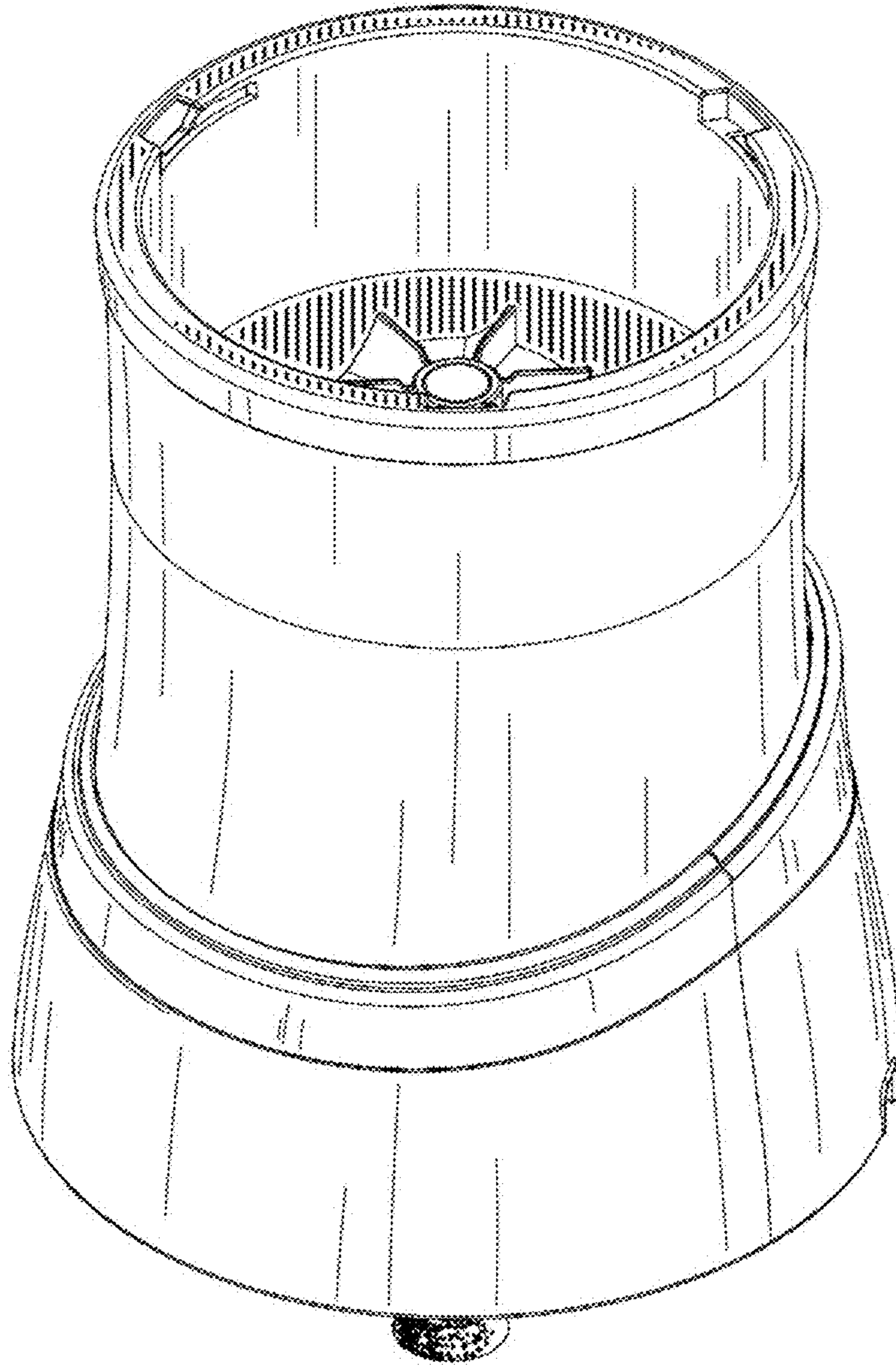


FIG. 6

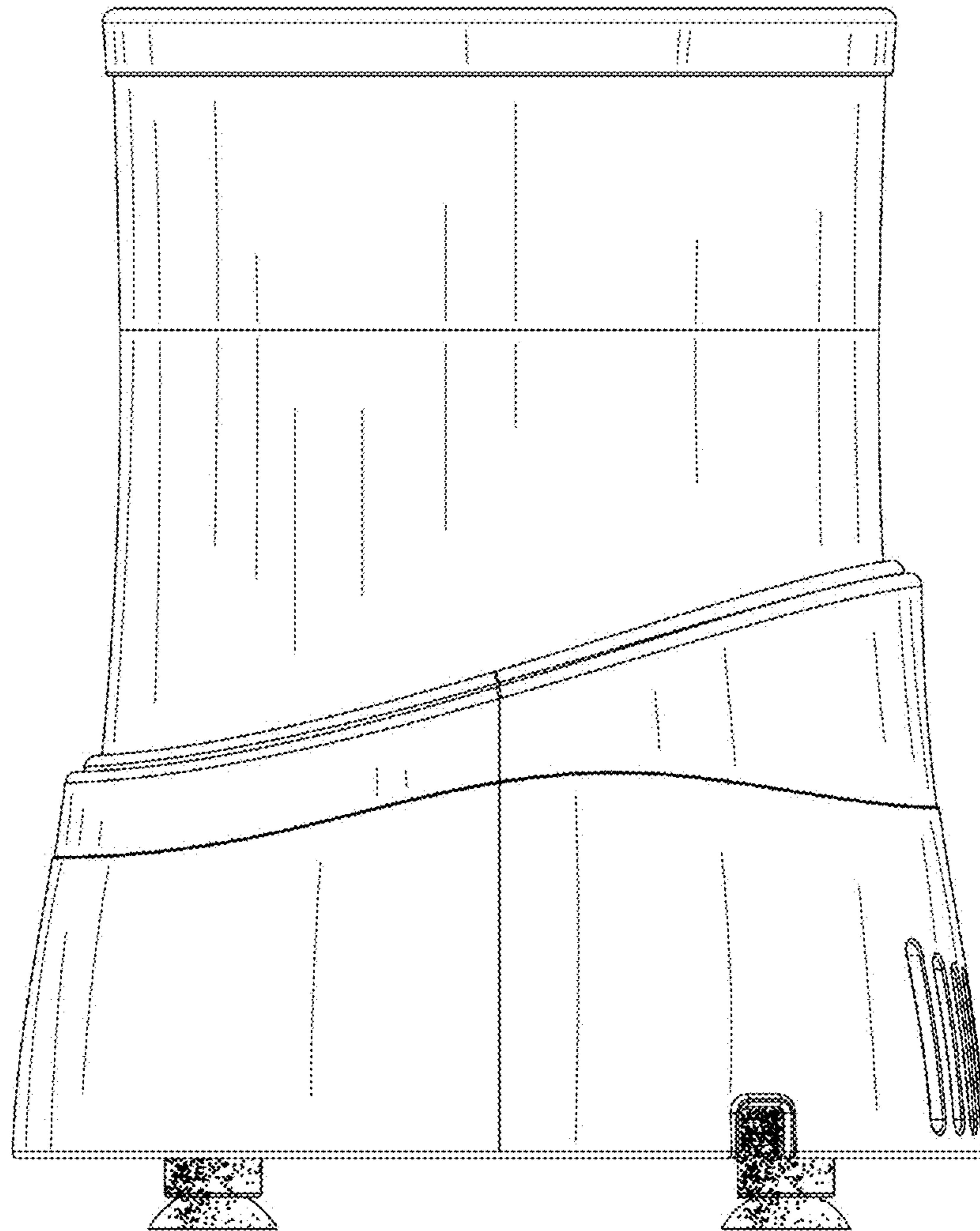


FIG. 7

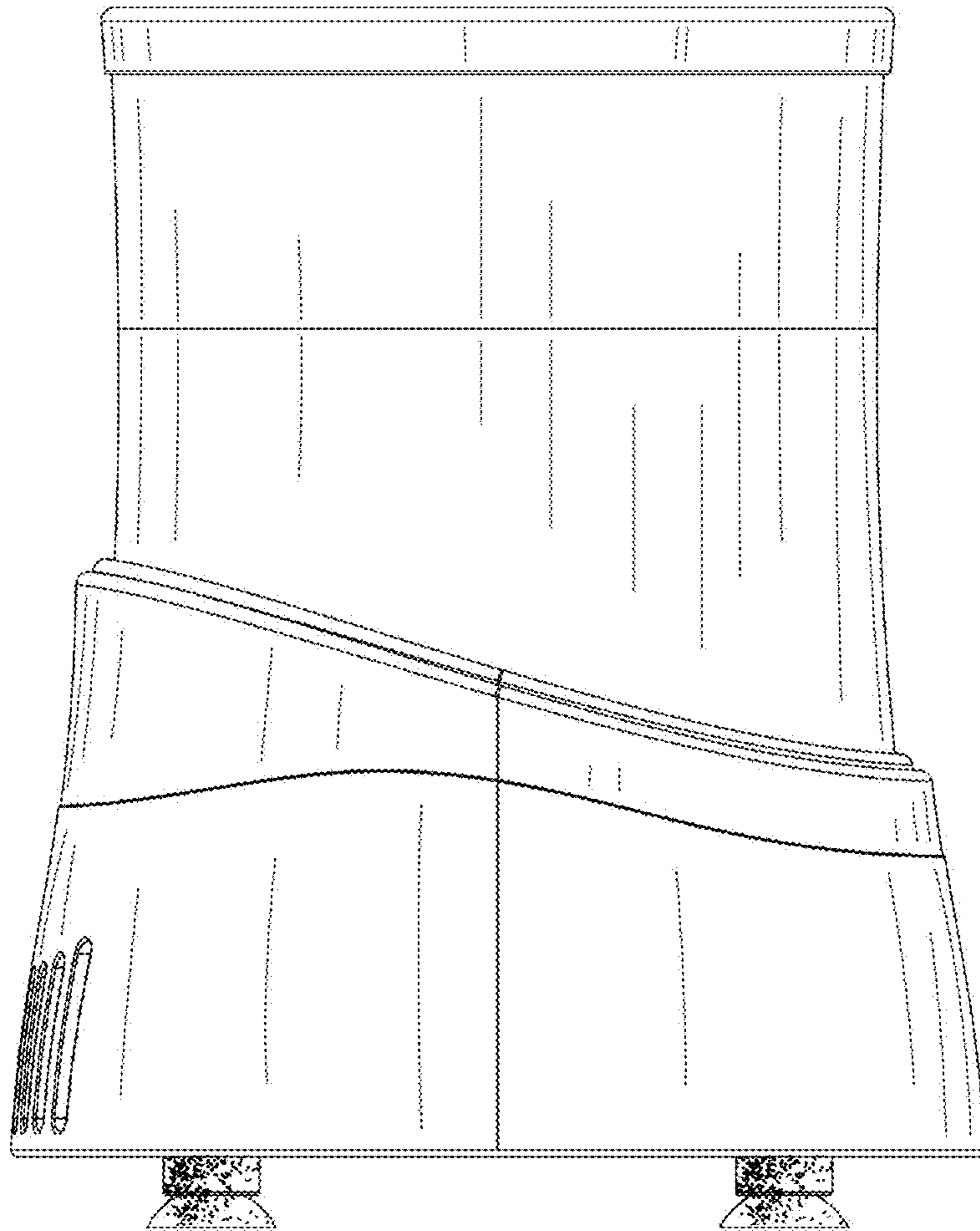


FIG. 8

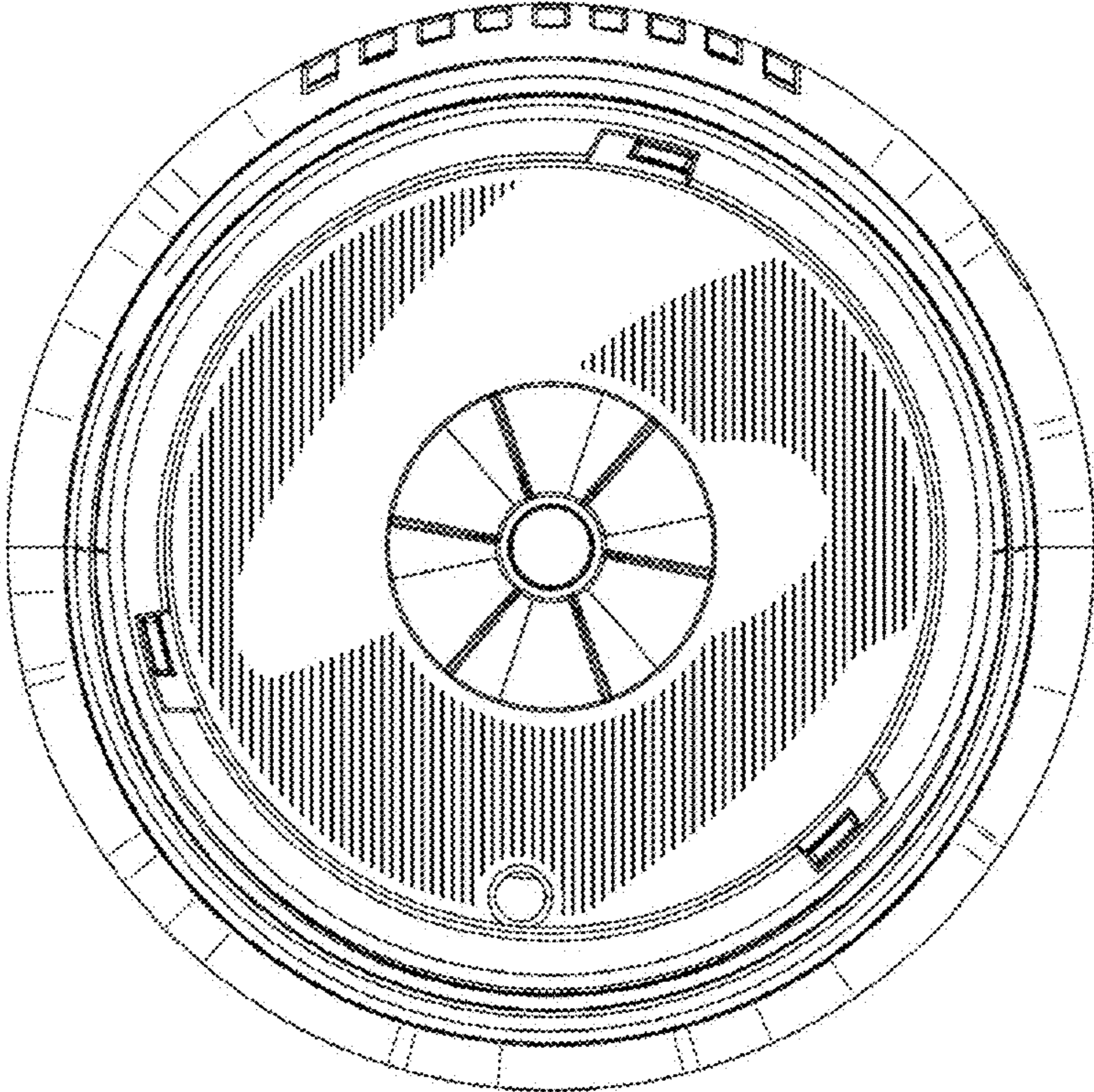


FIG. 9