



US00D773881S

(12) **United States Design Patent** (10) **Patent No.:** **US D773,881 S**
Deters (45) **Date of Patent:** **** Dec. 13, 2016**

(54) SPLATTER SHIELD	2,614,484 A	10/1952	Caruso	
	2,643,024 A	6/1953	Cronheim	
(71) Applicant: Dennis L Deters , Spring Grove, MN (US)	2,760,672 A	8/1956	Cronheim	
	3,363,406 A	1/1968	Miller	
	3,452,895 A *	7/1969	Kalkowski	A47J 37/101 220/370
(72) Inventor: Dennis L Deters , Spring Grove, MN (US)	3,777,653 A *	12/1973	Carruth	A47J 37/108 99/339
(**) Term: 14 Years	3,807,596 A *	4/1974	Baker	A47J 37/101 220/369
(21) Appl. No.: 29/508,824	3,809,281 A *	5/1974	Kalkowski	A47J 37/101 210/471
(22) Filed: Nov. 11, 2014	4,103,420 A *	8/1978	Davis	A47J 43/283 294/131

(Continued)

Related U.S. Application Data

(62) Division of application No. 29/465,160, filed on Aug. 23, 2013, now Pat. No. Des. 724,372.

(51) **LOC (10) Cl.** **07-99**

(52) **U.S. Cl.**
USPC **D7/368**

(58) **Field of Classification Search**
USPC D7/368, 391, 665, 667; 220/731, 370,
220/372, 573.1, 752; 210/470, 471;
99/339, 99/341, 349, 422
CPC A47J 37/108; A47J 37/101; A47J 27/04;
A47J 36/022
See application file for complete search history.

Primary Examiner — Terry Wallace

(74) *Attorney, Agent, or Firm* — Geiser Law, PLLC; Greg N. Geiser

(57) **CLAIM**

The ornamental design for a splatter shield, as shown and described.

DESCRIPTION

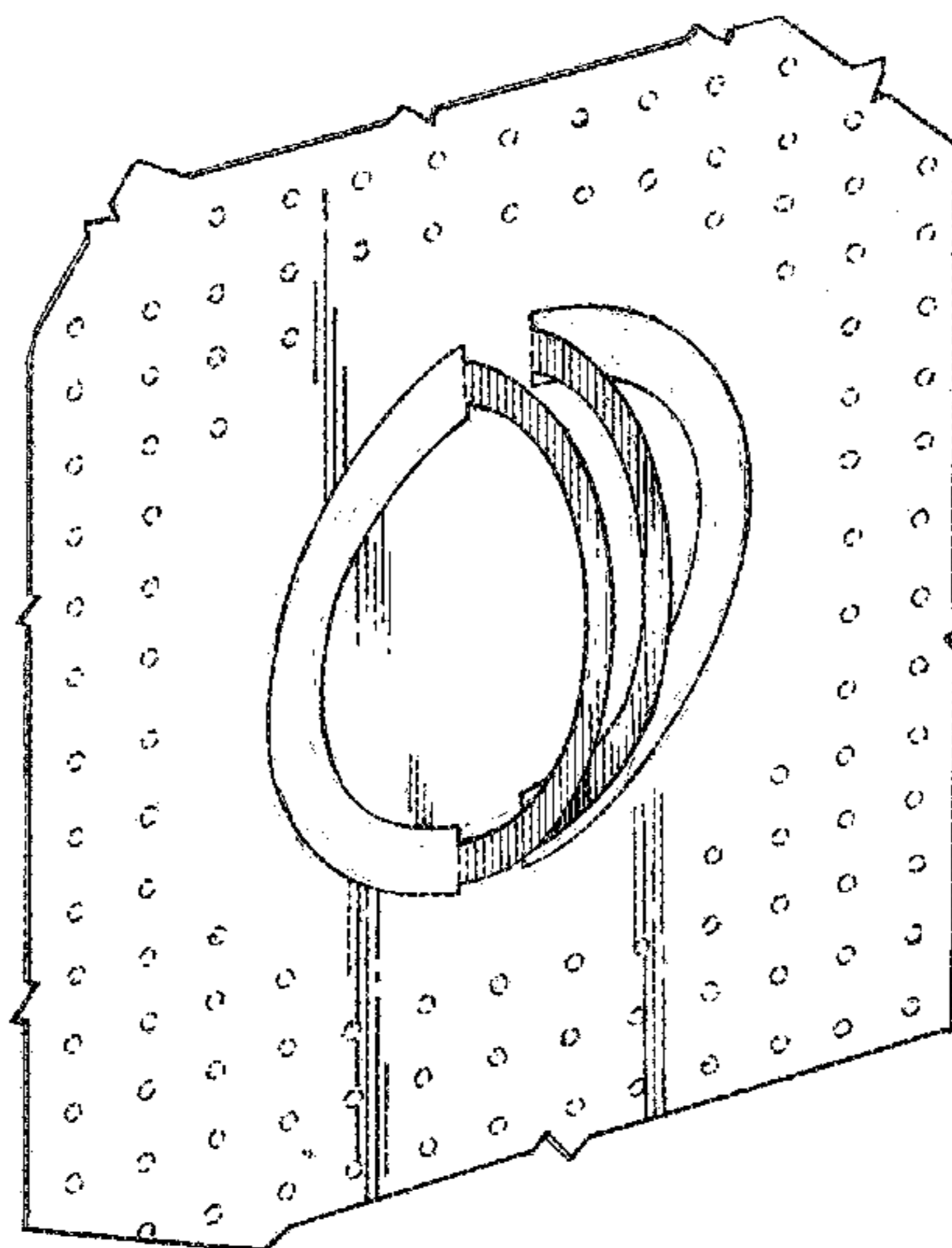
FIG. 1 is a top plan view of the new design of a splatter shield;
 FIG. 2 is a bottom view thereof;
 FIG. 3 is a front side view, the rear, left, and right being a mirror image thereof;
 FIG. 4 is a front side view with a handle of the design raised, the rear view being a mirror image thereof;
 FIG. 5 is a close up view of the center portion of the design thereof; and,
 FIG. 6 is a close up view of the center portion of the design with the handle raised thereof.
 The broken lines in all views are for illustrative purposes only and form no part of the claimed design.

(56) **References Cited**

U.S. PATENT DOCUMENTS

626,808 A	6/1899	Gurney	
893,805 A	7/1908	Kline	
930,223 A	8/1909	Port	
1,021,133 A	3/1912	Chaloud	
1,345,457 A	7/1920	Olson	
1,356,432 A	10/1920	Eidt	
1,453,054 A	4/1923	Nordstrom	
1,627,285 A	3/1926	Hubbard	
2,498,534 A *	2/1950	Drum	A47J 37/101 220/370
2,609,960 A	9/1952	Irwin	

1 Claim, 4 Drawing Sheets



(56)

References Cited

U.S. PATENT DOCUMENTS

4,176,591	A	12/1979	Power	
4,298,135	A	11/1981	Vossen	
D302,637	S *	8/1989	Hiscott	D7/391
D313,727	S	1/1991	Gamez	
D513,462	S	1/2006	VanGilder et al.	
D538,587	S	3/2007	Settele	
7,717,285	B2	5/2010	Price	
7,789,259	B2	9/2010	Garziera	
8,096,437	B1	1/2012	Ryan	
D655,968	S	3/2012	Lion et al.	
D655,969	S	3/2012	Lion et al.	
8,146,484	B2	4/2012	Blichmann	
2003/0205575	A1 *	11/2003	DeWinter	F24C 15/14 219/725
2008/0272124	A1	11/2008	Shamoon	
2008/0296303	A1	12/2008	Krent et al.	
2009/0261102	A1	10/2009	Sparks	
2011/0127282	A1	6/2011	Carvajal et al.	

* cited by examiner

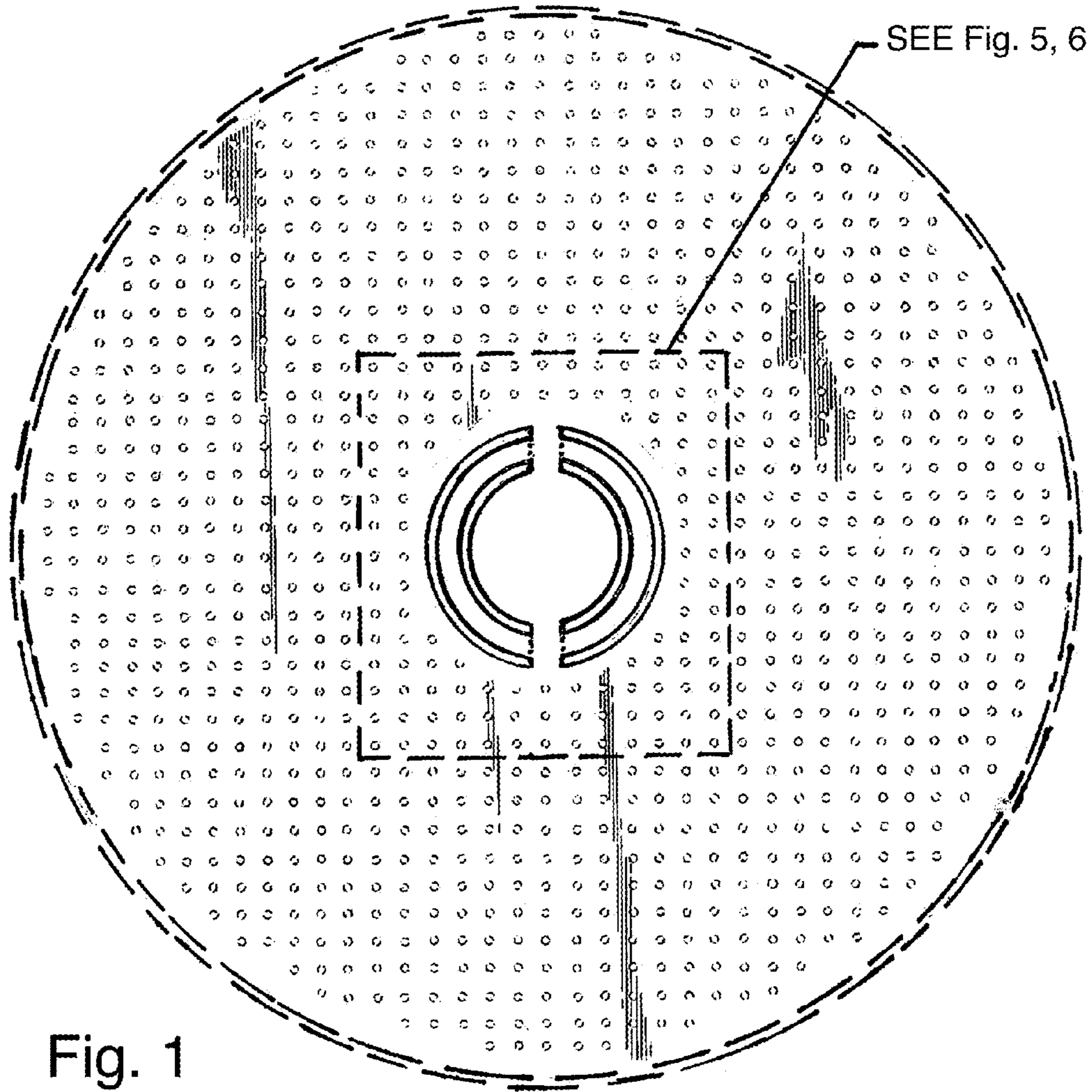


Fig. 1

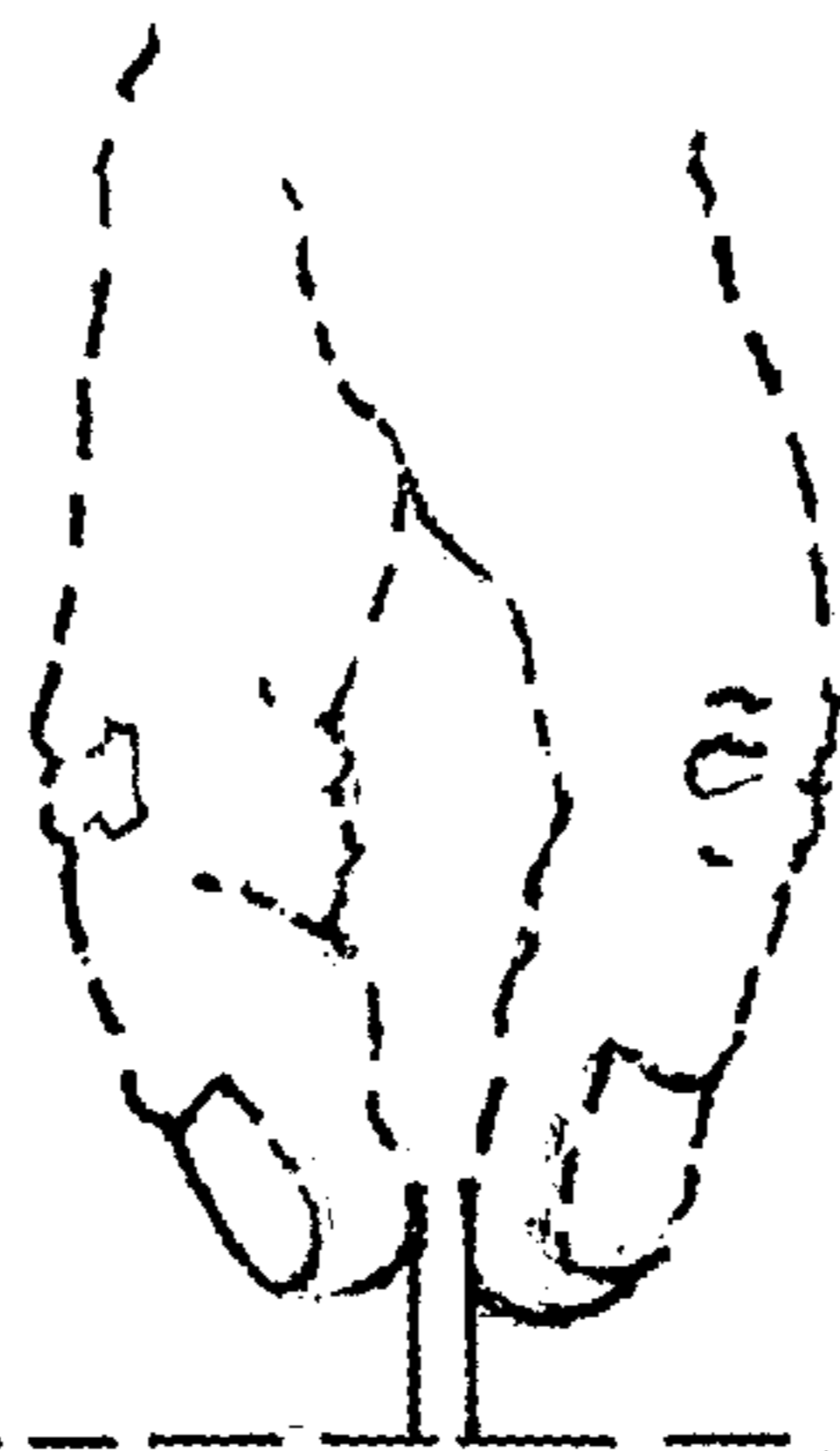


Fig. 4

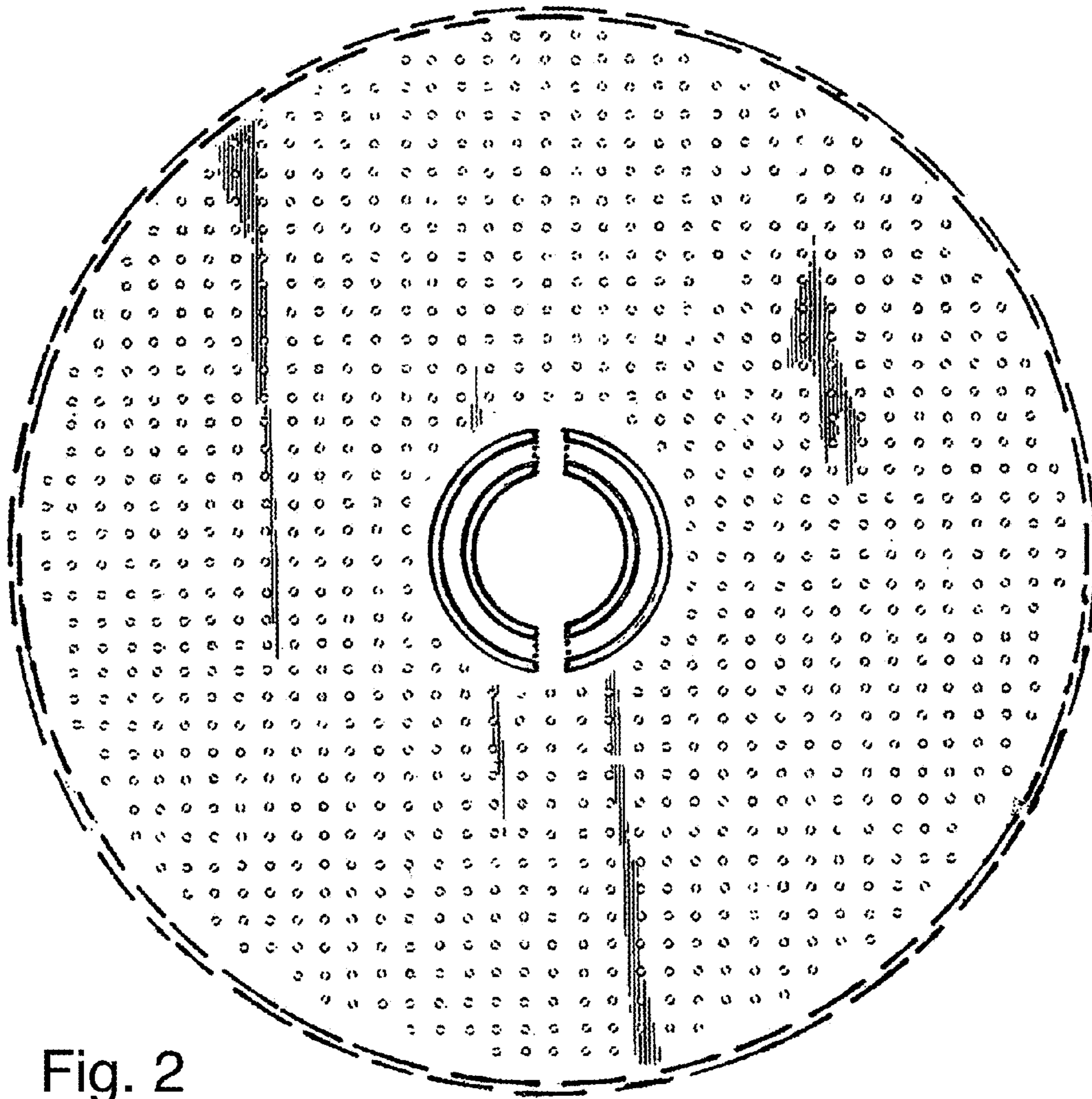


Fig. 2

Fig. 3



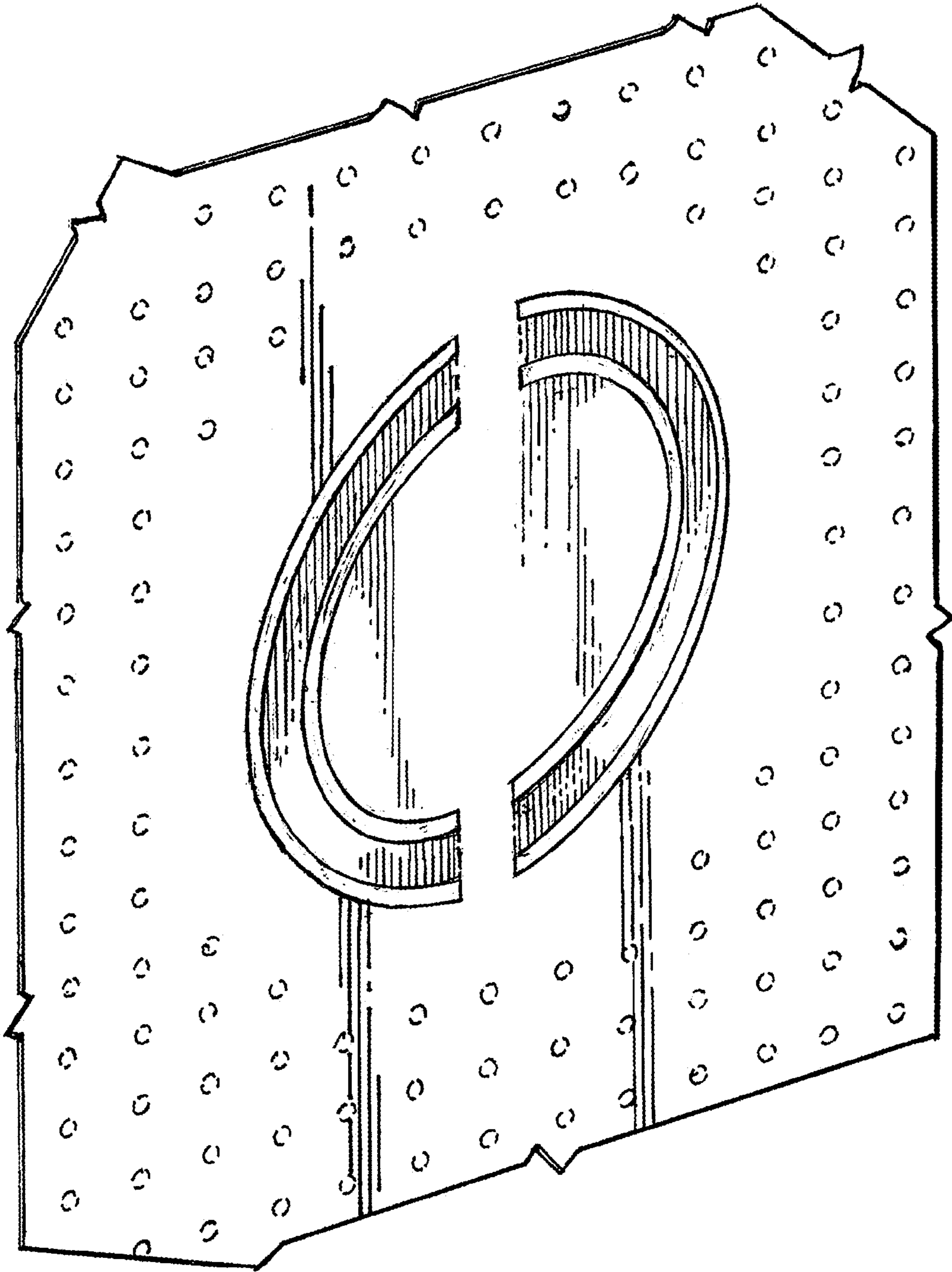


Fig. 5

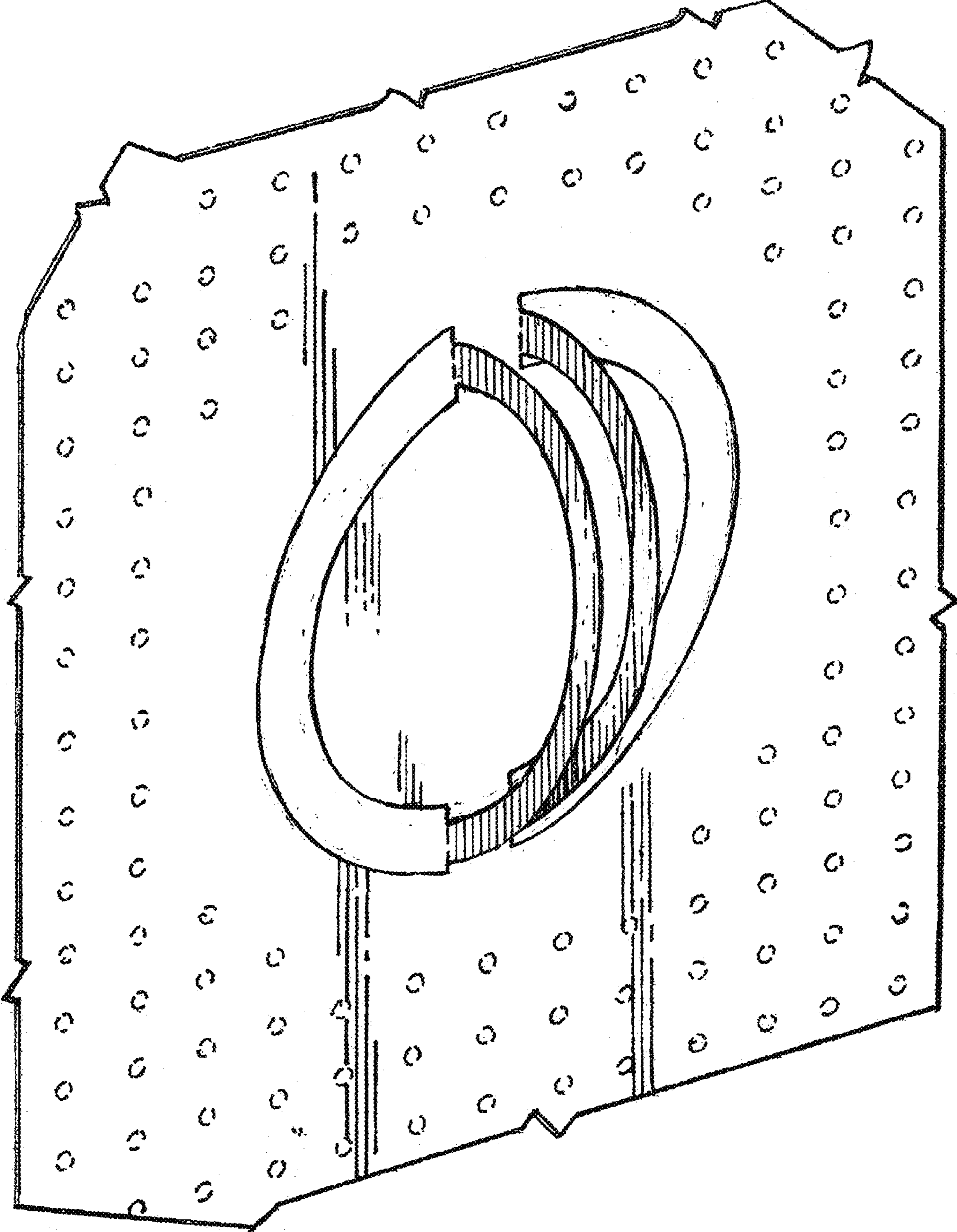


Fig. 6