

US00D773880S

(12) **United States Design Patent** (10) **Patent No.:** **US D773,880 S**
McConnell et al. (45) **Date of Patent:** **** Dec. 13, 2016**

(54) **OVEN**

(71) Applicant: **Whirlpool Corporation**, Benton Harbor, MI (US)

(72) Inventors: **Jessica R. McConnell**, St. Joseph, MI (US); **Kelly E. Roche**, Benton Harbor, MI (US)

(73) Assignee: **Whirlpool Corporation**, Benton Harbor, MI (US)

(**) Term: **14 Years**

(21) Appl. No.: **29/512,169**

(22) Filed: **Dec. 17, 2014**

(51) **LOC (10) Cl.** **07-02**

(52) **U.S. Cl.**
USPC **D7/339; D7/348; D7/349**

(58) **Field of Classification Search**
USPC D7/323, 328-330, 339-349, D7/390, 402-406; D8/300-306; D25/48.8
CPC A01M 29/34; A21B 2/00; A47G 5/00; A47J 37/00; A47J 37/06; A47J 37/0611; A47J 37/08; A47J 37/0807; A47J 37/0814; A47J 37/0835; A47J 37/0842; A47J 37/085; A47J 37/0864; A47J 37/0878; A47J 37/0885; A47J 37/0892; B01D 39/12; B60J 1/2011; E04B 5/12; E06B 9/52; F24C 7/00; F24C 7/002; F24C 7/046; F24C 7/067; F24C 15/02; F24C 15/04; F24C 15/10; F24C 15/102

See application file for complete search history.

(56) **References Cited**

U.S. PATENT DOCUMENTS

| | | | | | |
|-----------|-----|--------|---------|-------|----------------------|
| 1,496,594 | A * | 6/1924 | Otto | | E04B 5/12 160/371 |
| 1,698,064 | A * | 1/1929 | Otto | | E06B 9/52 160/371 |
| 1,698,065 | A * | 1/1929 | Otto | | E06B 9/52 160/397 |
| 1,776,285 | A * | 9/1930 | Herbest | | A47G 5/00 160/381 |

(Continued)

FOREIGN PATENT DOCUMENTS

| | | | |
|----|---------|---|--------|
| GB | 999061 | A | 7/1965 |
| GB | 1016077 | A | 1/1966 |
| GB | 1105140 | A | 3/1968 |

Primary Examiner — Ricky Pham

(57) **CLAIM**

The ornamental design for an oven, as shown and described.

DESCRIPTION

FIG. 1 is a top-front perspective view of an oven according to our design; and,

FIG. 2 is a front view thereof, top, bottom, right side, left side, and back views thereof showing no claimed portion of the design.

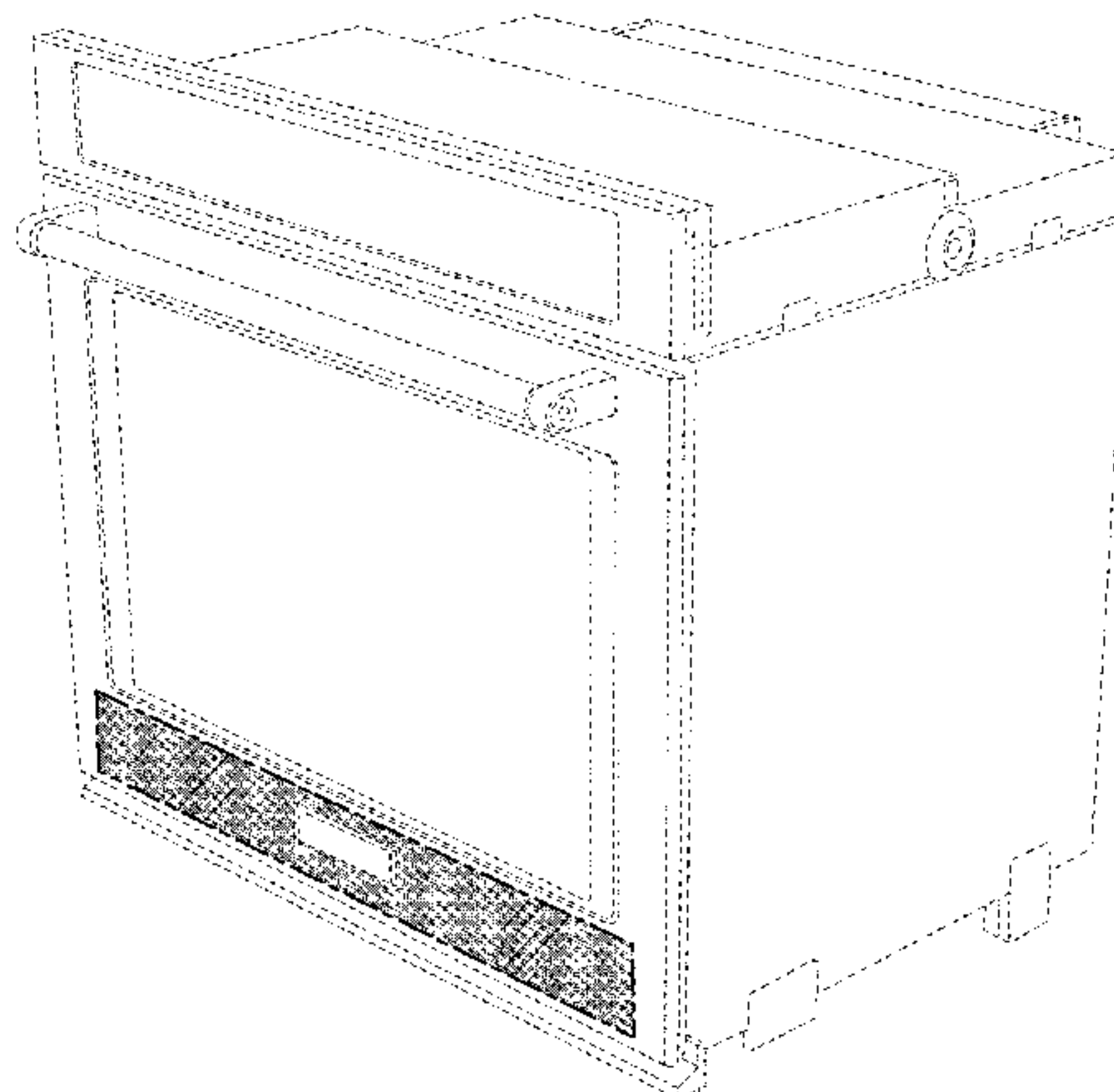
Broken lines are environmental only and form no part of the claimed design.

Dash-dot lines adjacent un-shaded areas represent bounds of the claimed design and form no part of the claimed design themselves.

The diagonal shading indicates a transparent material, which, as used herein, can encompass varying degrees of partial transparency such that the texture represented by the texture shading is visible through the transparent material thereover.

The texture shading depicted beneath the tinted transparent material layer represents a surface texture on the layer on

(Continued)



which it is depicted in the form of a metal surface treatment and is not necessarily to scale.

The stipple fill is used to indicate color. In particular, the stipple fill shown in FIGS. 1 and 2 indicates a metallic bronze color.

1 Claim, 2 Drawing Sheets

(56)

References Cited

U.S. PATENT DOCUMENTS

2,121,680 A 6/1938 Arvin
 3,780,872 A * 12/1973 Pall B01D 39/12
 210/493.1
 5,387,473 A 2/1995 Yoshimi et al.
 5,620,801 A 4/1997 Binns et al.
 D402,376 S * 12/1998 St. Gelais D25/48.8
 6,240,996 B1 * 6/2001 Runions B60J 1/2011
 160/105
 D527,948 S * 9/2006 Bengtson D7/349
 7,222,467 B2 * 5/2007 Nowell A01M 29/34
 160/27

7,279,218 B2 10/2007 Watase et al.
 D568,682 S * 5/2008 Crookshanks D7/405
 D594,691 S * 6/2009 Baacke D7/348
 D611,294 S * 3/2010 Busalt D7/349
 D626,782 S * 11/2010 Busalt D7/349
 D668,106 S * 10/2012 Borjesson D7/405
 D668,108 S * 10/2012 Borjesson D7/405
 D678,721 S * 3/2013 Roberson D7/405
 D690,157 S * 9/2013 Baacke D7/405
 D696,069 S * 12/2013 Roberson D7/405
 8,663,793 B2 3/2014 Jo et al.
 8,715,837 B2 5/2014 Tada et al.
 D708,012 S * 7/2014 Baacke D7/405
 D710,646 S * 8/2014 Borjesson D7/349
 D722,816 S * 2/2015 Lee D7/405
 D724,889 S * 3/2015 Borjesson D7/349
 D728,300 S * 5/2015 Borjesson D7/349
 D738,682 S * 9/2015 Roberson D7/406
 D741,104 S * 10/2015 Funnell, II D7/348
 D750,414 S * 3/2016 Funnell, II D7/348
 2005/0154118 A1 7/2005 Hayes et al.
 2010/0021726 A1 1/2010 Jo et al.
 2012/0070651 A1 3/2012 Morishita et al.

* cited by examiner

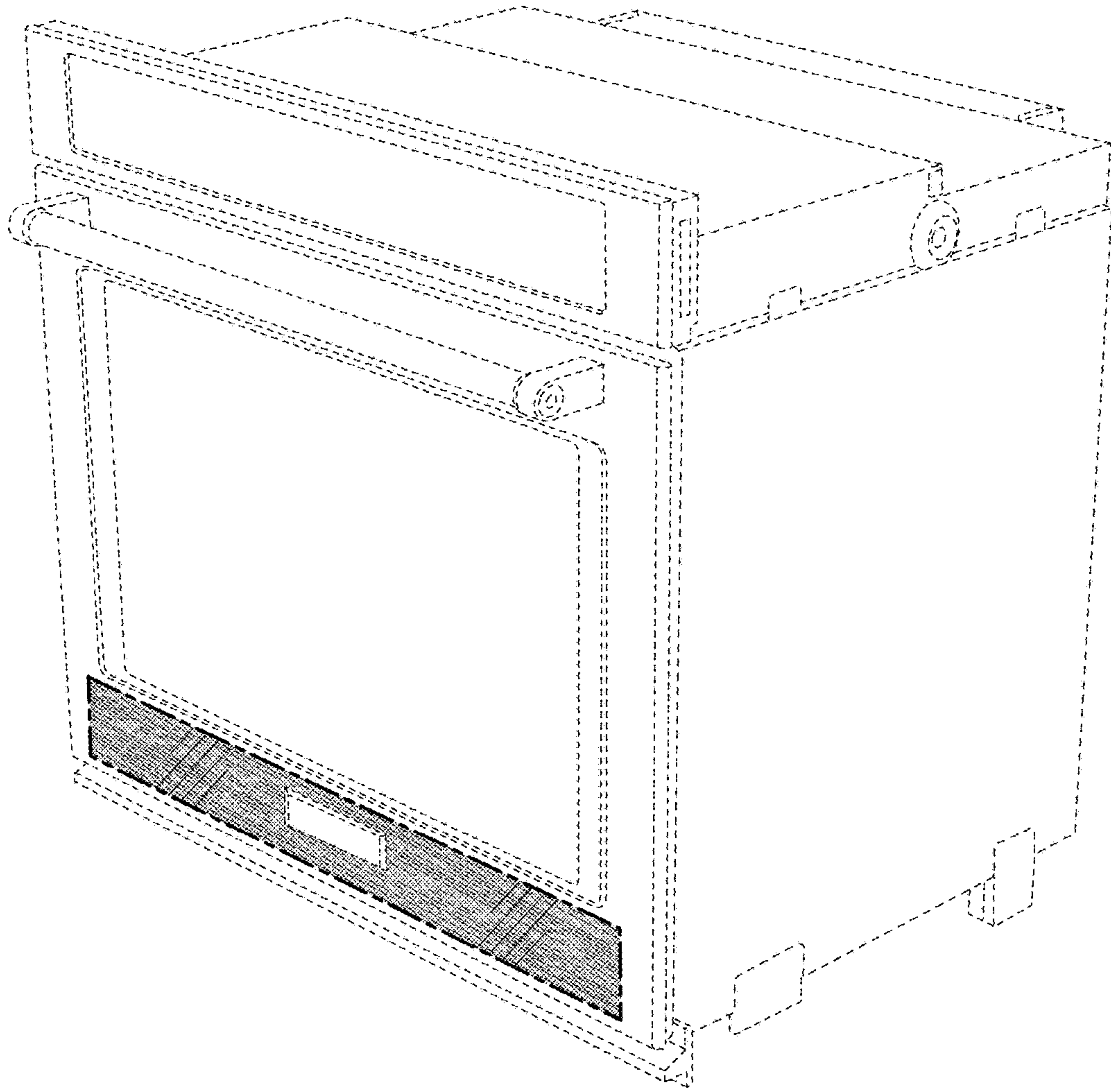


FIG. 1

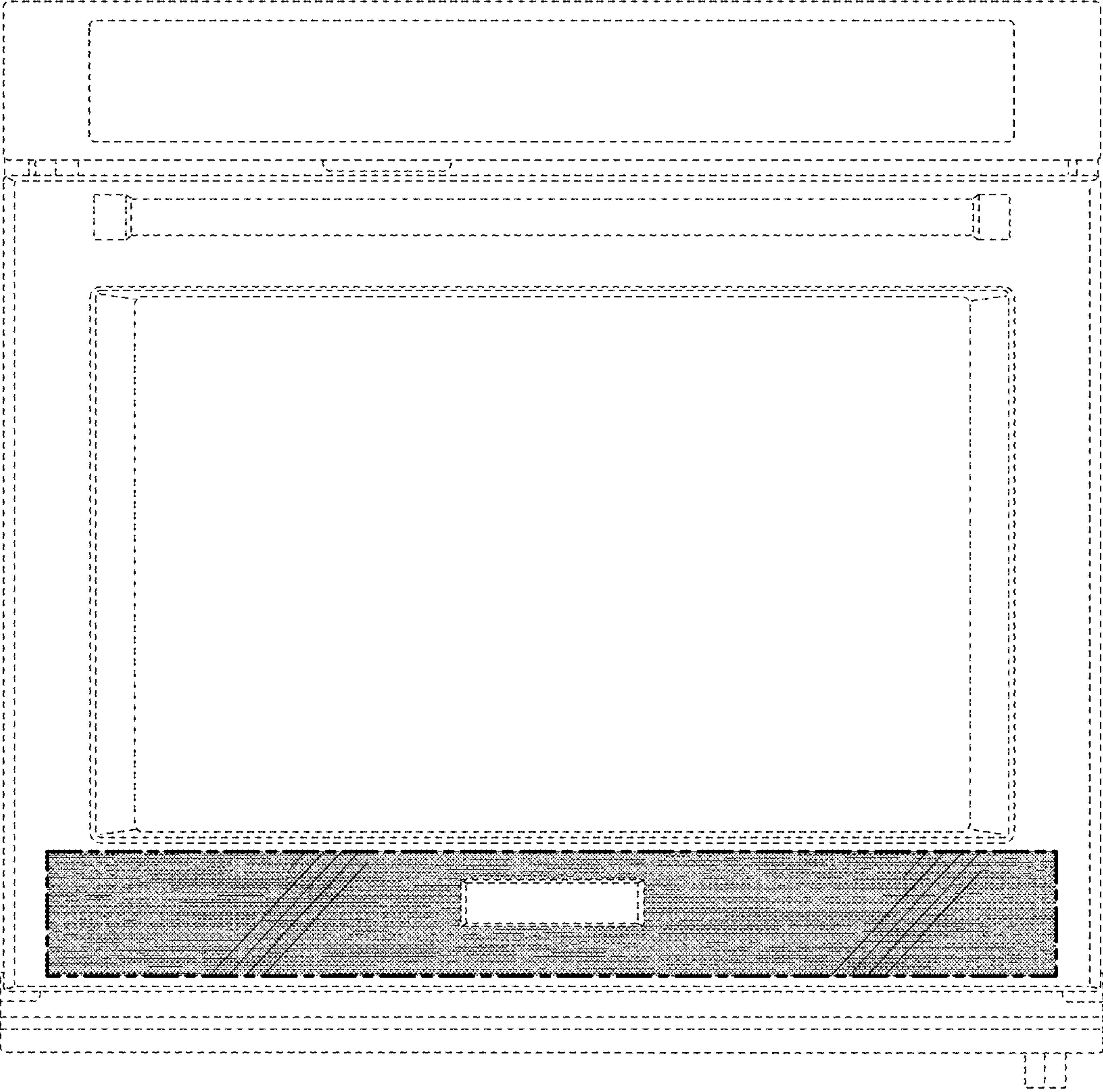


FIG. 2