



US00D773879S

(12) **United States Design Patent**  
**Magee et al.**

(10) **Patent No.:** **US D773,879 S**

(45) **Date of Patent:** **\*\* Dec. 13, 2016**

(54) **GRILL**

(71) Applicants: **Travis M. Magee**, Rowlett, TX (US);  
**Danica Magee-Jennings**, Sunnyvale,  
TX (US)

(72) Inventors: **Travis M. Magee**, Rowlett, TX (US);  
**Danica Magee-Jennings**, Sunnyvale,  
TX (US)

(\*\*) Term: **14 Years**

(21) Appl. No.: **29/524,838**

(22) Filed: **Apr. 23, 2015**

(51) **LOC (10) Cl.** ..... **07-02**

(52) **U.S. Cl.**  
USPC ..... **D7/334**

(58) **Field of Classification Search**  
USPC ..... D7/332-337, 402, 323, 327, 339-341;  
D34/12, 17, 19, 20  
CPC A47J 37/0704; A47J 37/0786; A47J 37/0763;  
A47J 37/0713; A47J 37/0781; A47J  
2037/0777; A47J 33/00; F24C 3/14; F24C  
7/10; F24C 15/18; F24C 15/12; F24B  
1/207  
See application file for complete search history.

(56) **References Cited**

**U.S. PATENT DOCUMENTS**

D279,536 S \* 7/1985 Braswell ..... D7/335  
D380,933 S \* 7/1997 Schlosser ..... D7/332

D388,277 S \* 12/1997 Scroggins ..... D7/332  
D623,001 S \* 9/2010 Lovay ..... D7/334  
D625,544 S \* 10/2010 Radicke ..... D7/334  
D677,105 S \* 3/2013 DeGeyter ..... D7/332

\* cited by examiner

*Primary Examiner* — Susan Bennett Hattan

*Assistant Examiner* — Brett Miller

(74) *Attorney, Agent, or Firm* — Mitchell Law PLLC;  
Matthew W. Mitchell

(57) **CLAIM**

The ornamental design for a grill, as shown and described.

**DESCRIPTION**

FIG. 1 is a perspective view of a grill of the present invention;

FIG. 2 is another perspective view of the invention of FIG. 1;

FIG. 3 is a front view of the invention of FIG. 1;

FIG. 4 is a back view of the invention of FIG. 1;

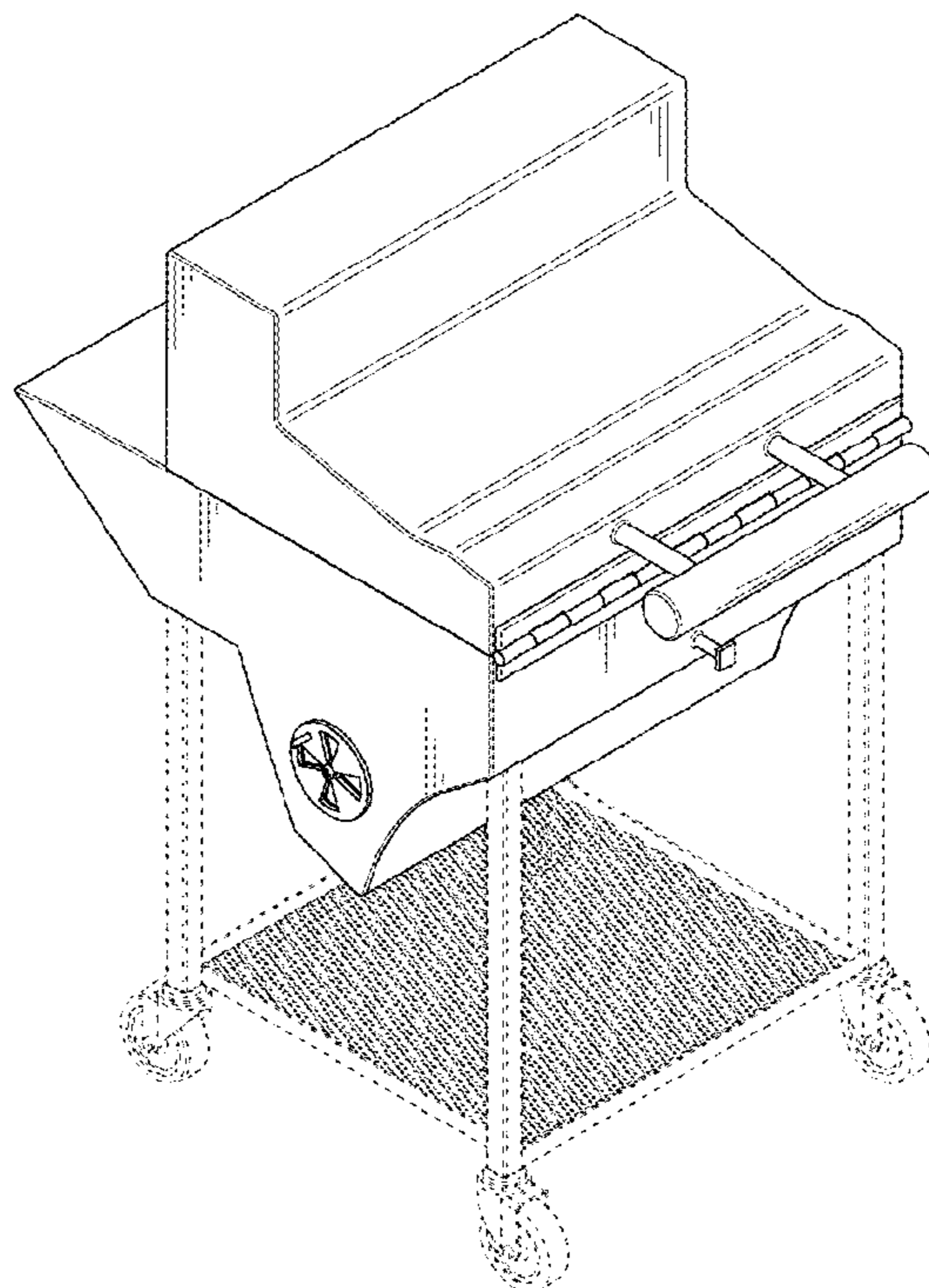
FIG. 5 is a side view of the invention of FIG. 1, as seen from the left side of FIG. 3;

FIG. 6 is a side view of the invention of FIG. 1, as seen from the right side of FIG. 3; and,

FIG. 7 is a top view of the invention of FIG. 1.

The broken lines showing a wheeled-base are included for contextual purposes and form no part of the claimed design.

**1 Claim, 4 Drawing Sheets**



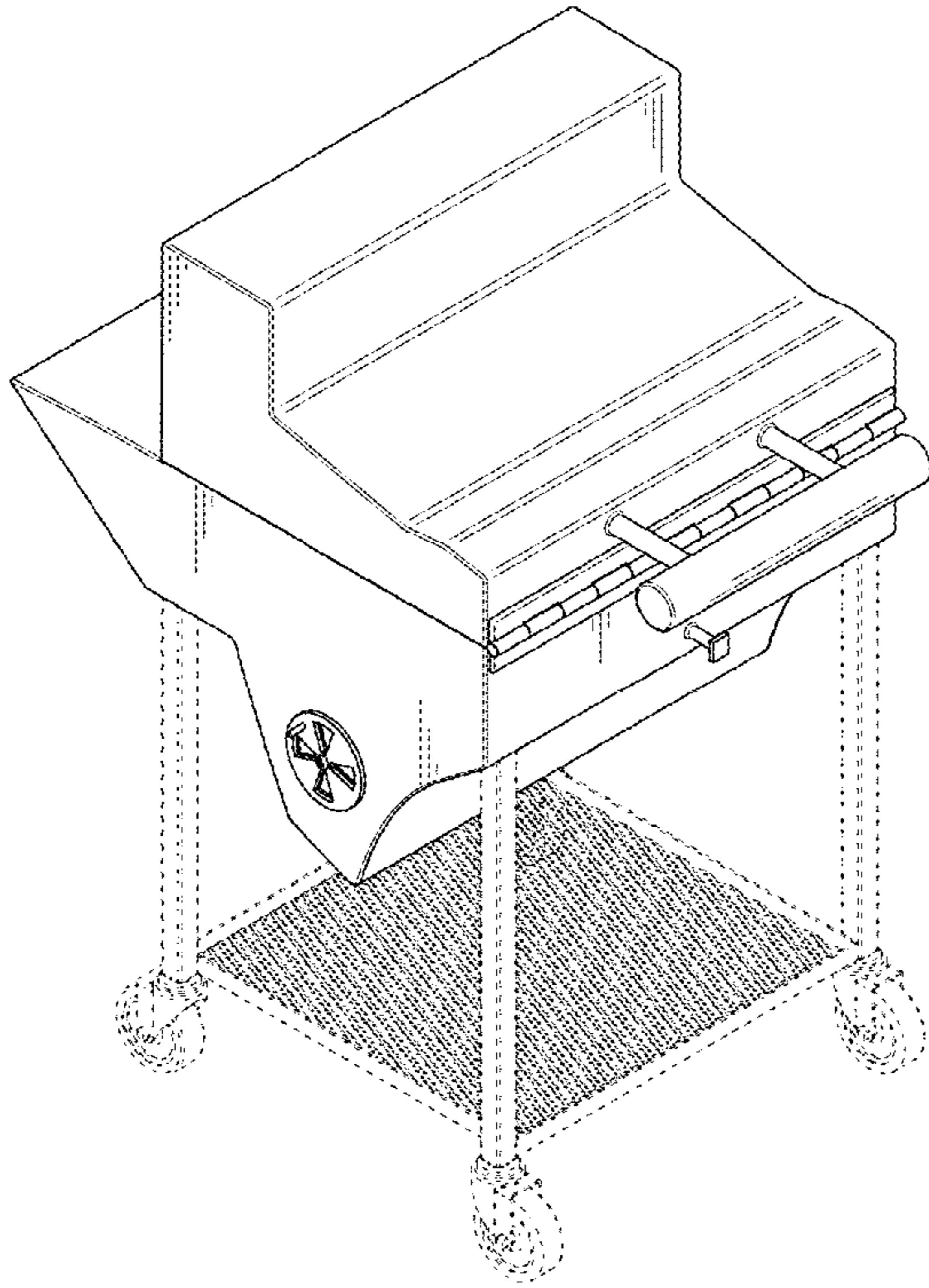


FIG. 1

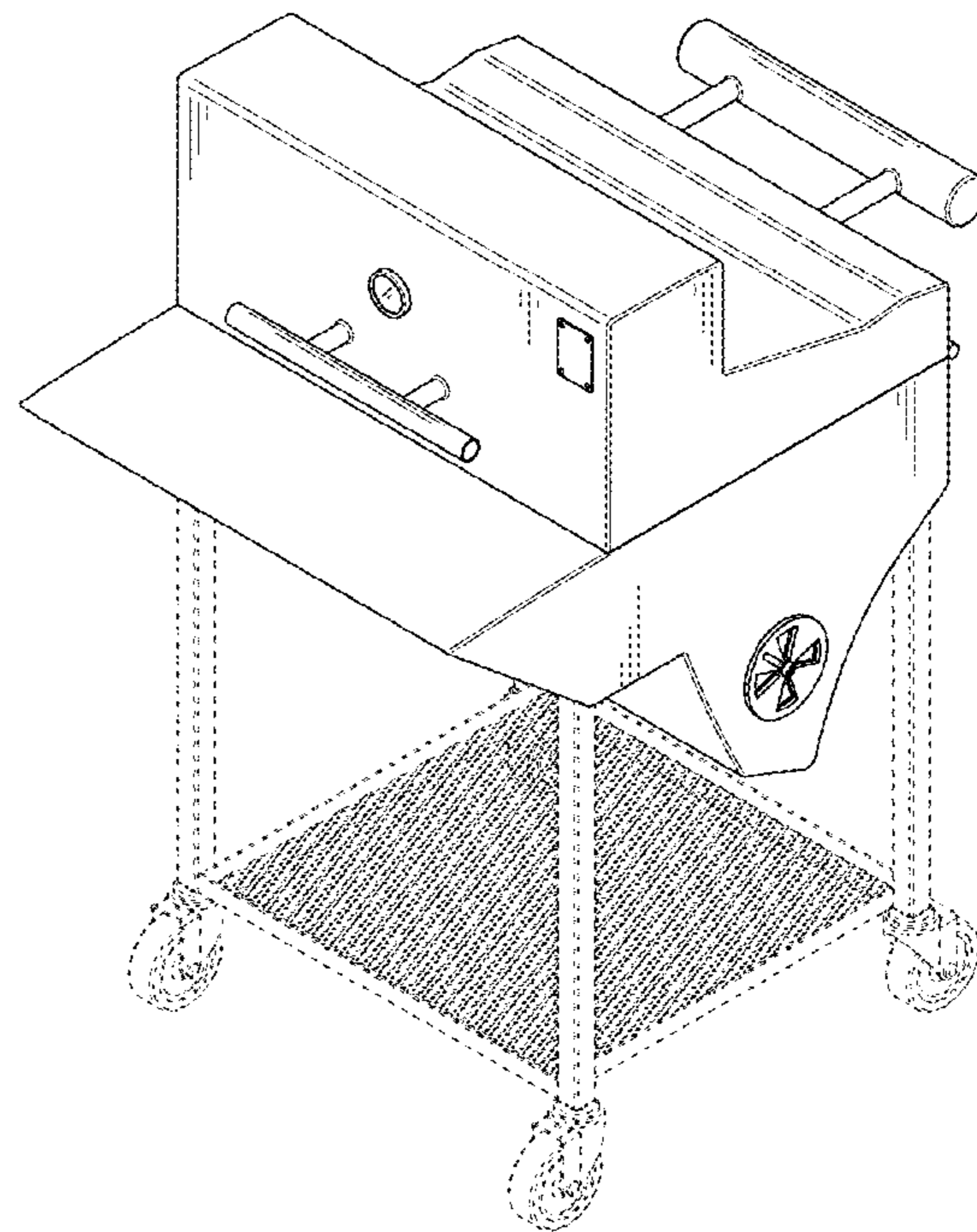


FIG. 2

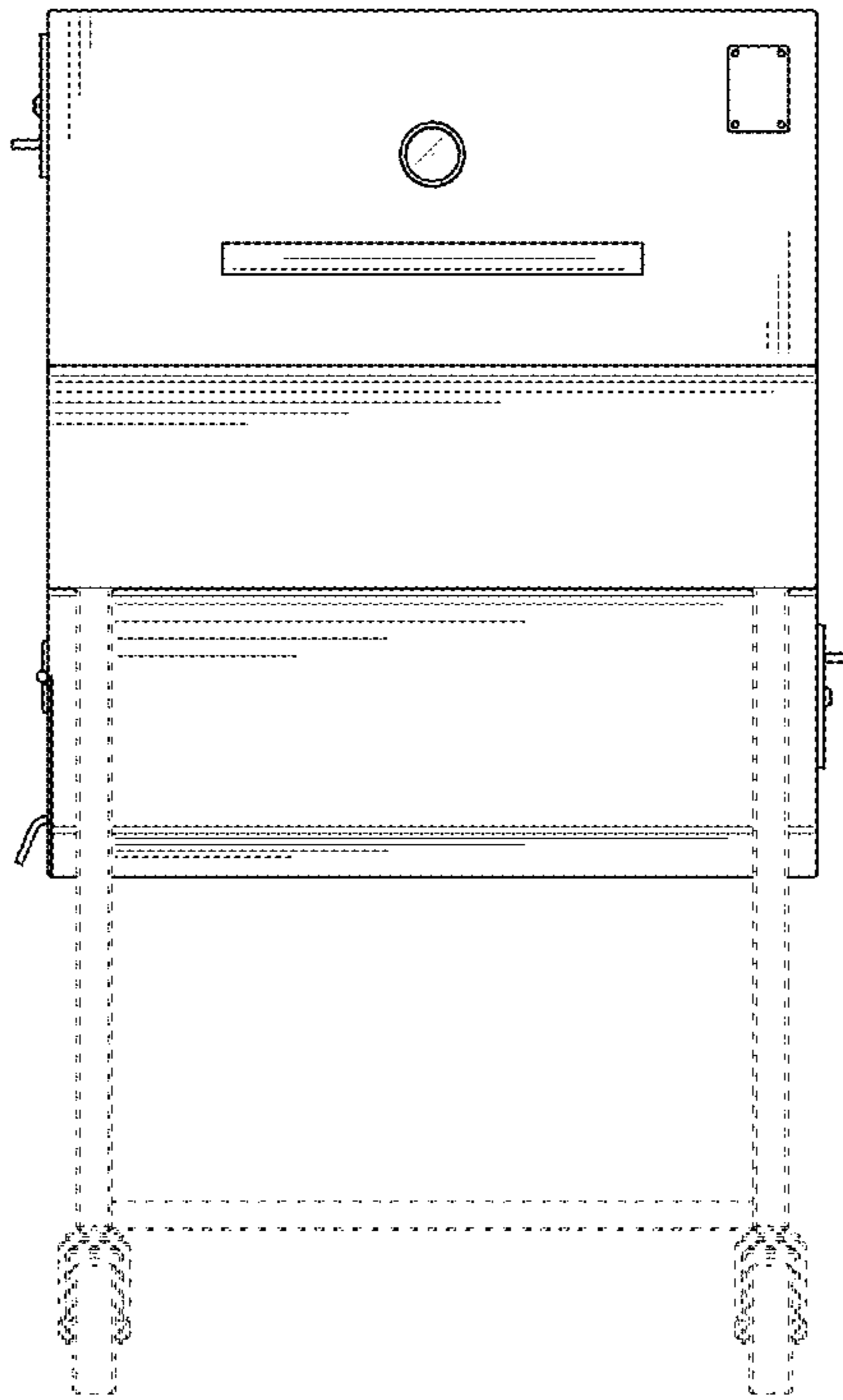


FIG. 3

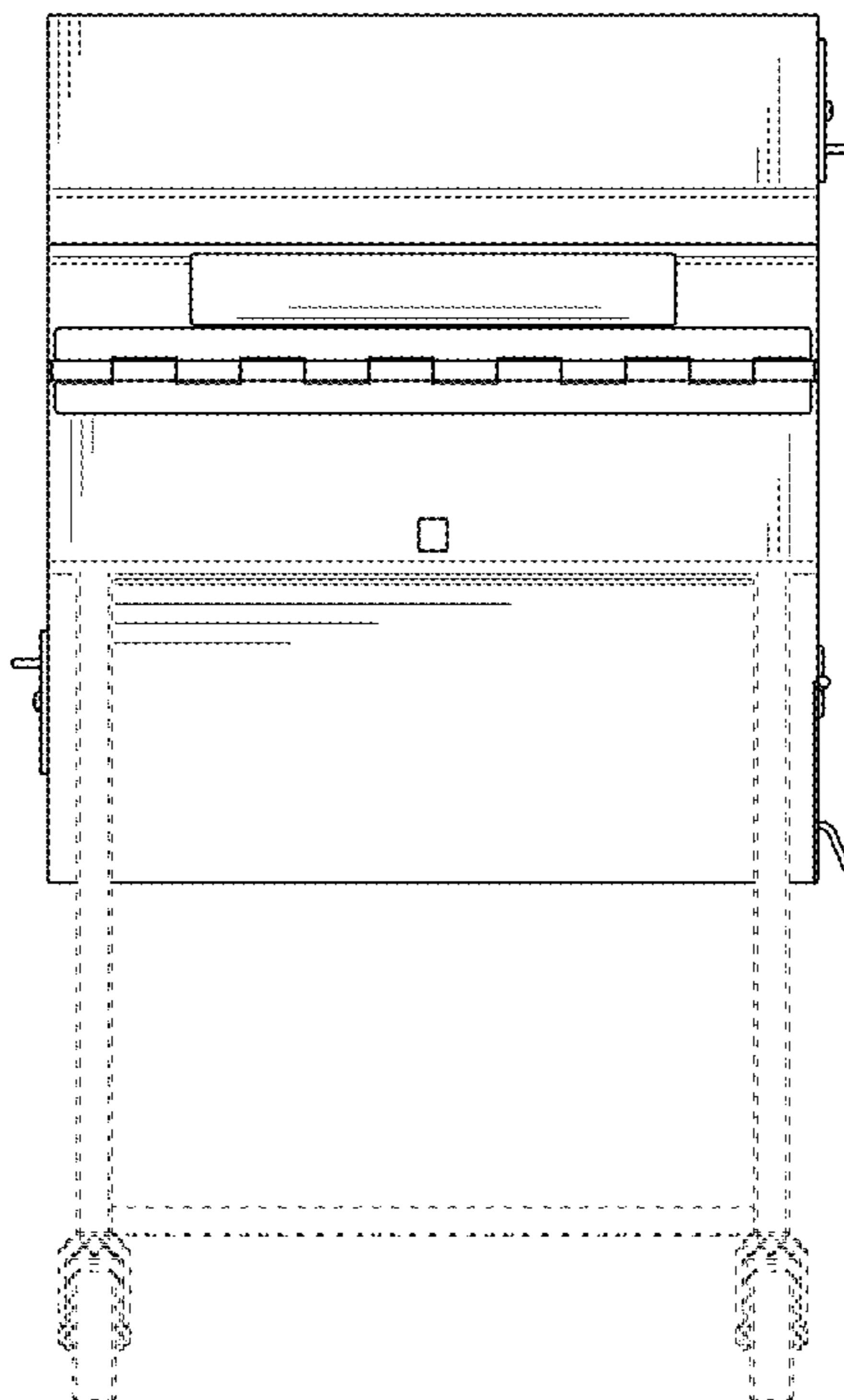


FIG. 4

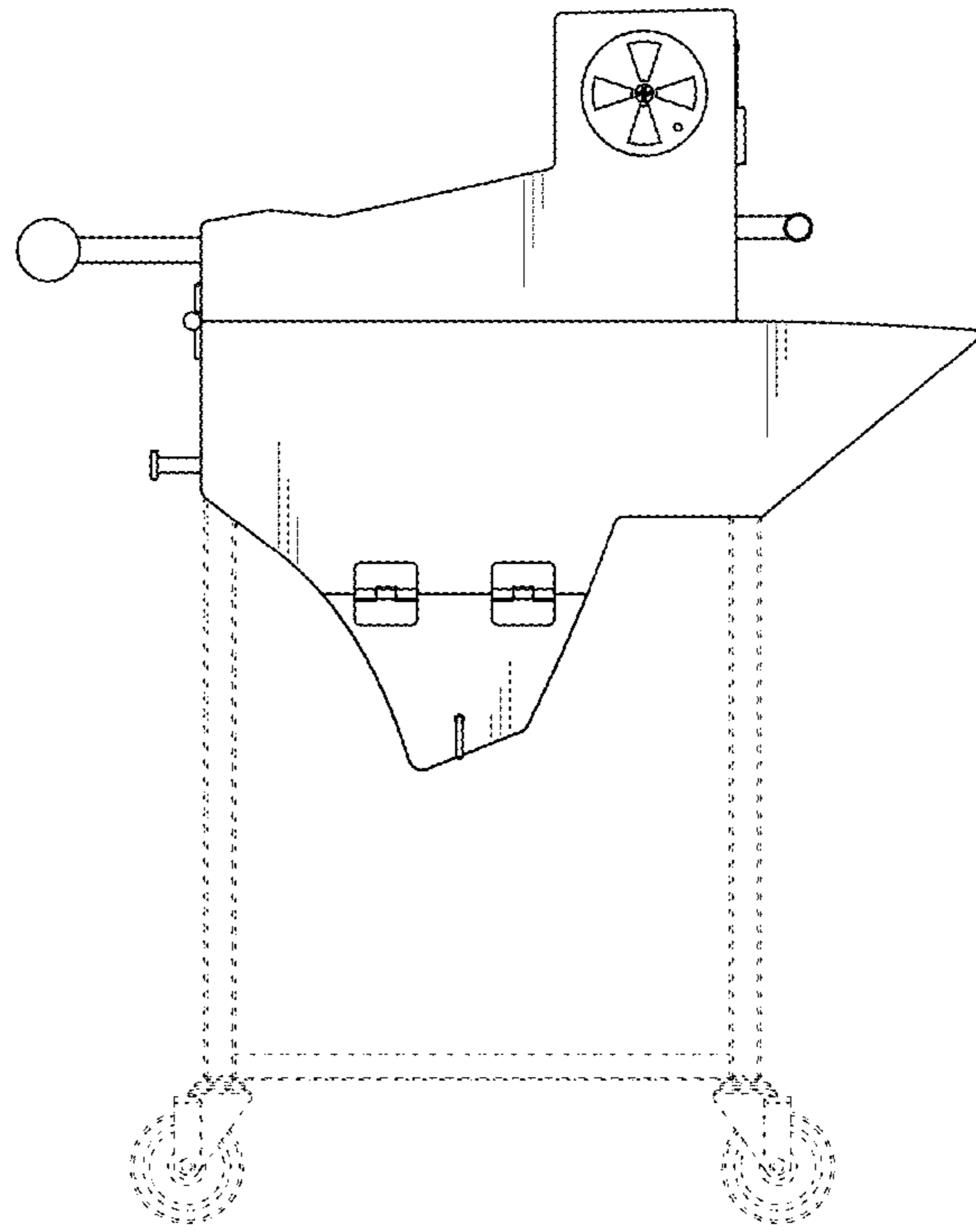


FIG. 5

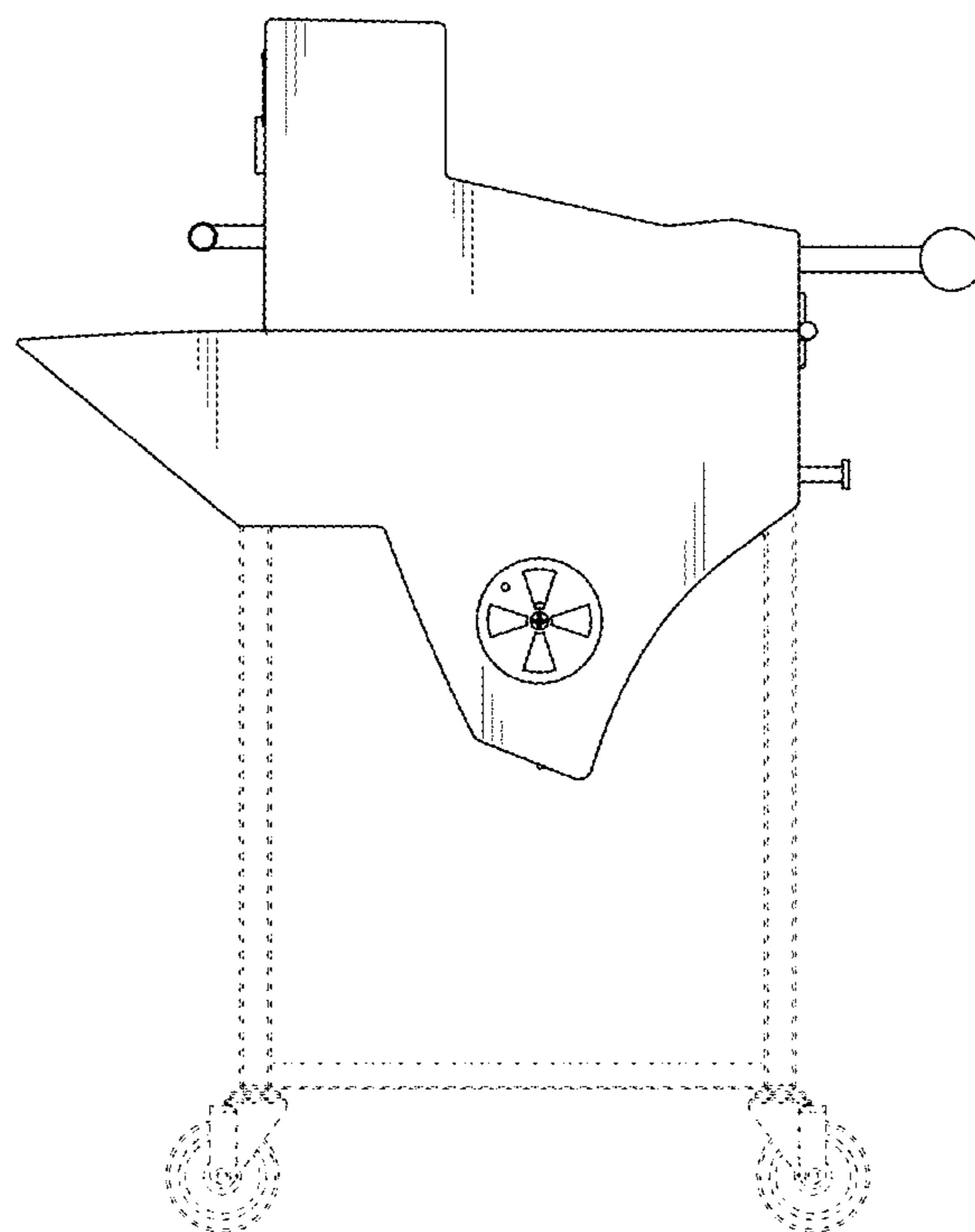


FIG. 6

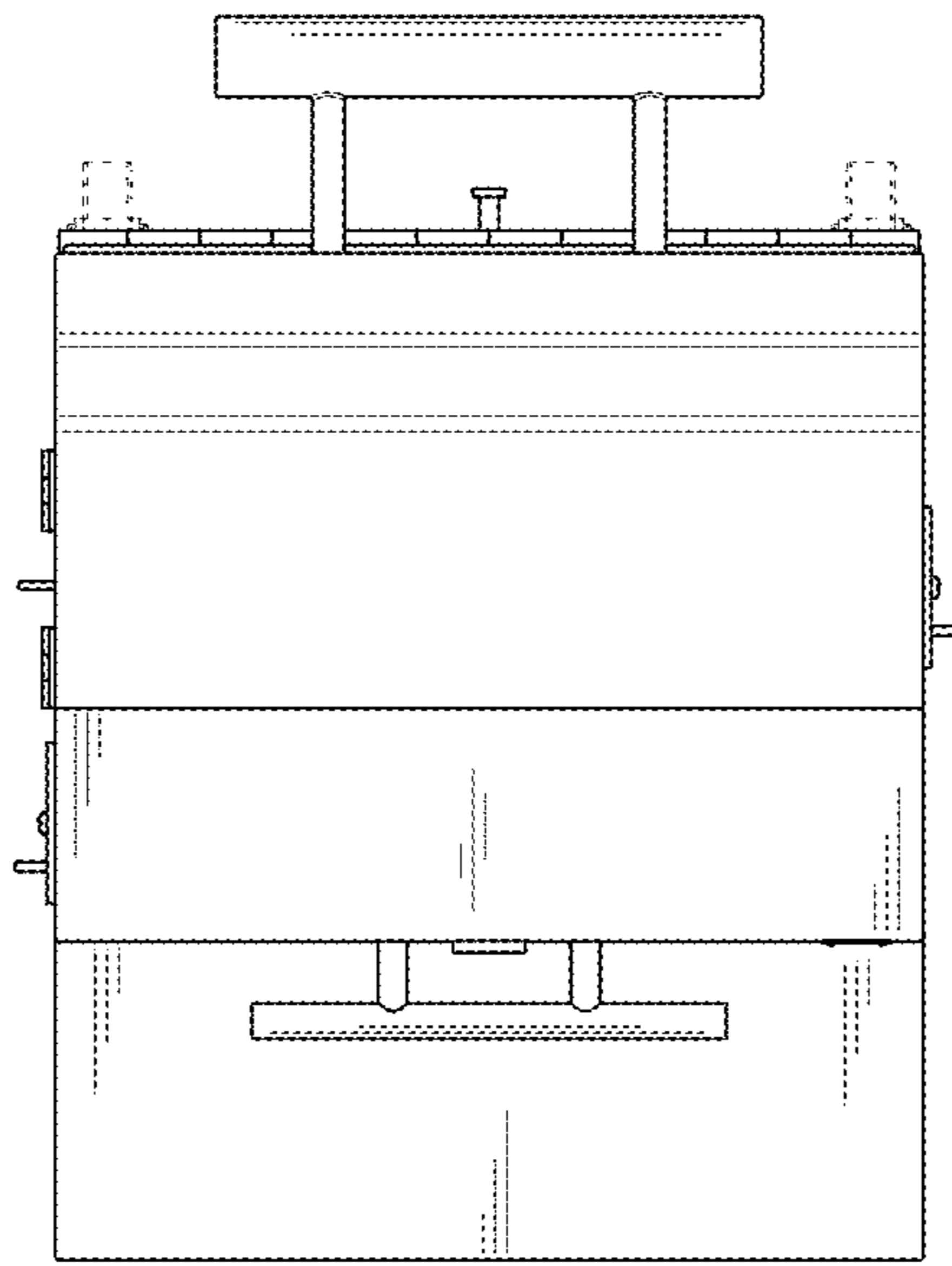


FIG. 7