



US00D773878S

(12) **United States Design Patent** (10) **Patent No.:** **US D773,878 S**
Lee et al. (45) **Date of Patent:** **** Dec. 13, 2016**

(54) **COFFEE MAKER**
(71) Applicant: **Helen of Troy Limited**, Belleville, St. Michael (BB)
(72) Inventors: **Alexander T. F. Lee**, New York, NY (US); **Davin Stowell**, New York, NY (US); **Joern Vicari**, Brooklyn, NY (US)
(73) Assignee: **Helen of Troy Limited**, Belleville, St. Michael (BB)
(**) Term: **15 Years**
(21) Appl. No.: **29/529,754**

D240,386 S * 7/1976 Stutzer D7/309
D369,268 S * 4/1996 Assmann D7/309
D380,335 S * 7/1997 Hui D7/309
D402,153 S * 12/1998 Saltet D7/309
D404,604 S * 1/1999 Pochopien D7/309
D507,449 S * 7/2005 Burton D7/309
D552,402 S * 10/2007 Schwamkrug D7/309
D584,922 S * 1/2009 Spiegel D7/309
D585,229 S * 1/2009 de Visser D7/309
D688,081 S * 8/2013 Warburton D7/306
D707,070 S * 6/2014 De'Longhi D7/309
D712,188 S * 9/2014 Averty D7/309
D718,972 S * 12/2014 Jorgensen D7/309
D736,025 S * 8/2015 Kestenbaum D7/309
D745,307 S * 12/2015 Kestenbaum D7/309
D765,455 S * 9/2016 de Gooijer D7/309
2015/0359374 A1 * 12/2015 Anthony A47J 31/002
426/433

(22) Filed: **Jun. 10, 2015**
(51) **LOC (10) Cl.** **07-01**
(52) **U.S. Cl.**
USPC **D7/310; D7/311; D7/309**
(58) **Field of Classification Search**
USPC D7/306-311, 305, 300, 397, 398, 399, D7/400; 99/279, 284, 290, 280, 299, 307, 99/297, 295, 323, 275, 281, 300, 302 R, 99/282, 288; 426/433; D20/4, 5, 1
CPC A47J 31/44; A47J 31/00; A47J 31/46; A47J 31/10; A47J 31/56; A47J 31/42; A47J 431/4482; A47J 27/2105; A47J 31/4403; A47J 31/32; A47J 31/4457; A47J 31/52; A47J 31/0573; A47J 31/545; B65D 81/3266
See application file for complete search history.

* cited by examiner

Primary Examiner — Marianne Pandozzi
(74) *Attorney, Agent, or Firm* — Rankin, Hill & Clark LLP

(57) **CLAIM**

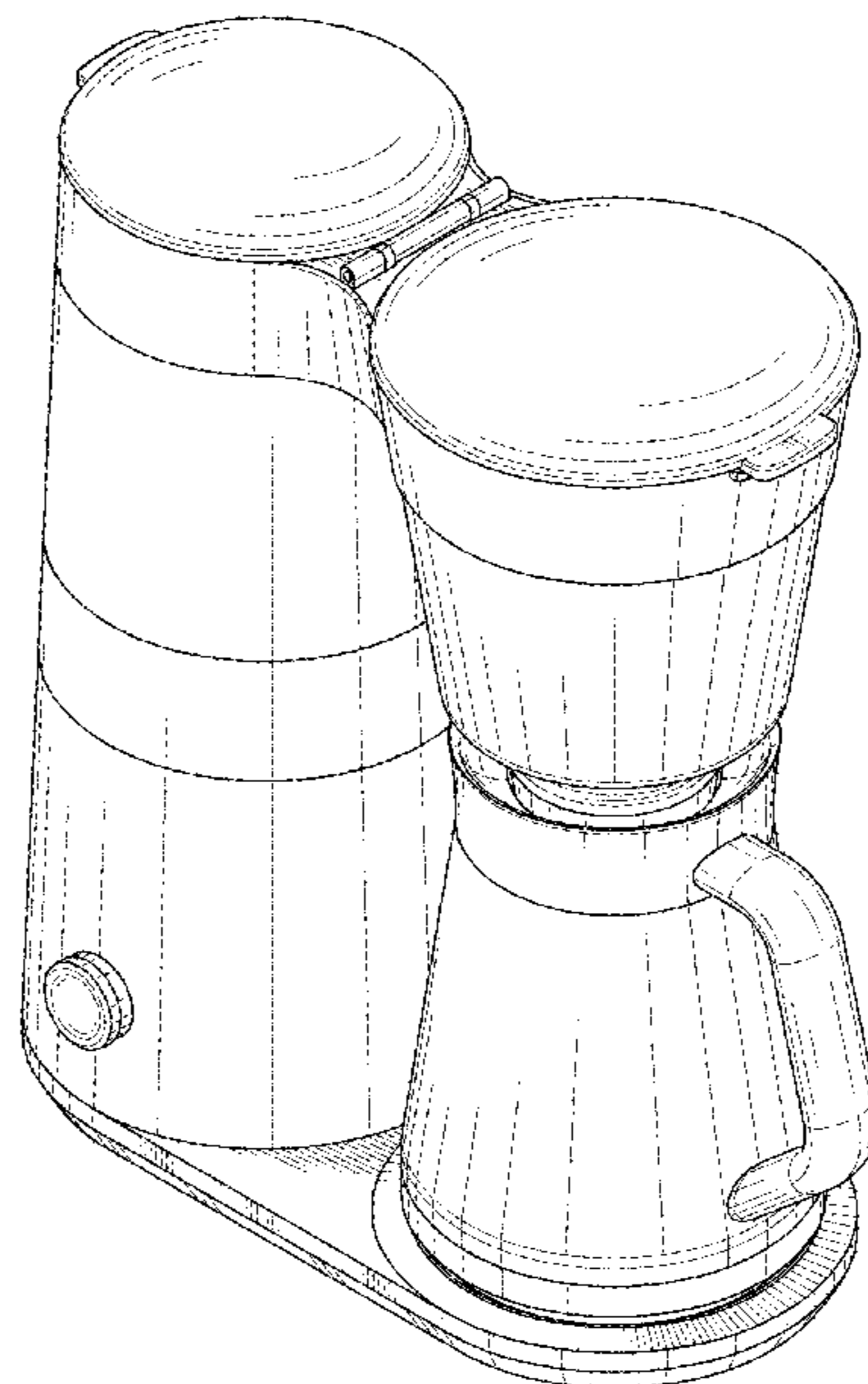
The ornamental design for a coffee maker, as shown and described.

DESCRIPTION

FIG. 1 is a perspective view of a coffee maker showing our new design;
FIG. 2 is a front elevation view thereof;
FIG. 3 is a right side elevation view thereof;
FIG. 4 is a rear elevation view thereof;
FIG. 5 is a top plan view thereof;
FIG. 6 is a left side elevation view thereof; and,
FIG. 7 is a bottom plan view thereof.
The broken lines depict portion of the coffee maker that form no part of the claimed design.

(56) **References Cited**
U.S. PATENT DOCUMENTS
D220,579 S * 4/1971 Wickenberg D7/309
3,619,561 A * 11/1971 Smit A47J 31/545
200/84 B

1 Claim, 7 Drawing Sheets



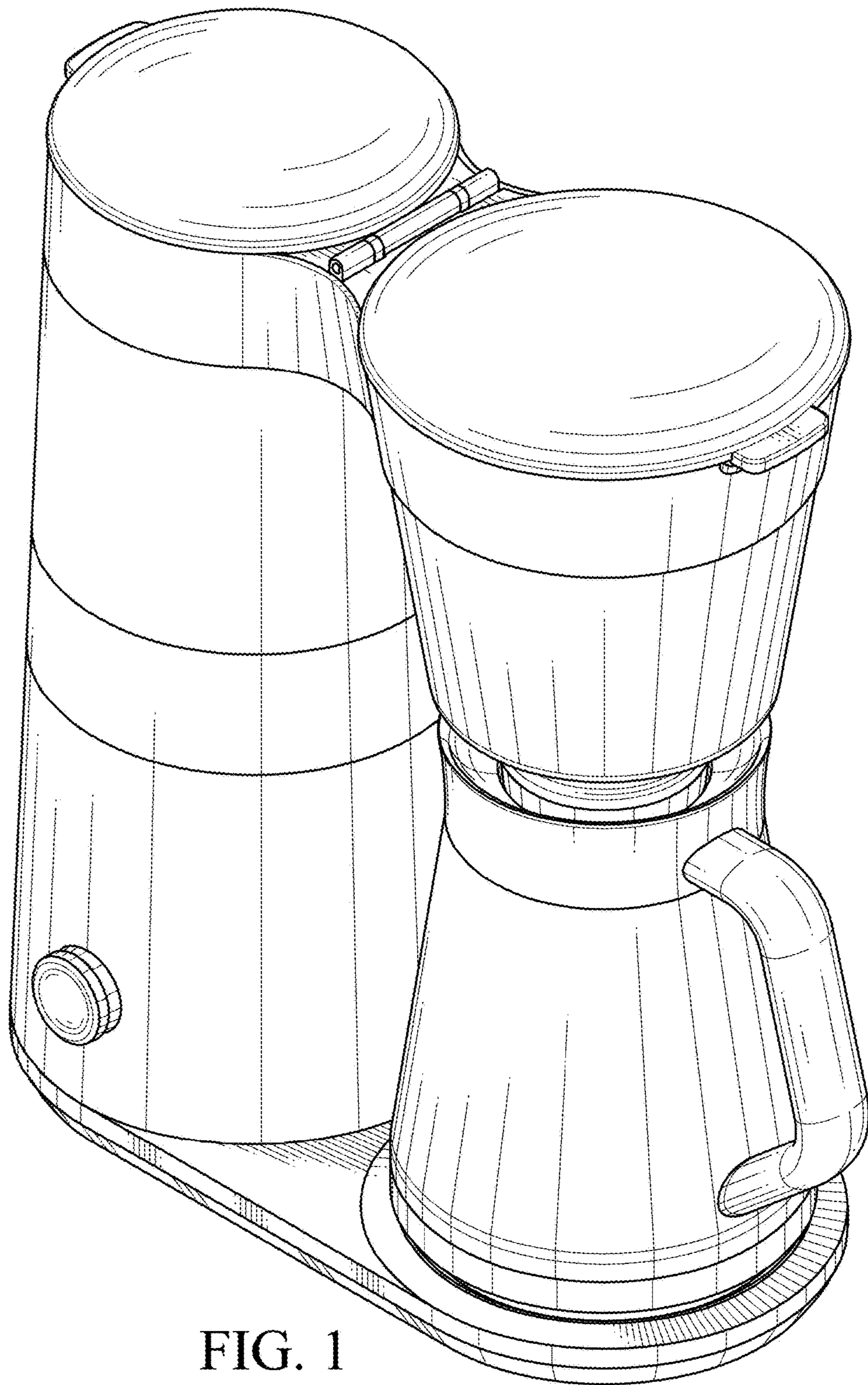


FIG. 1

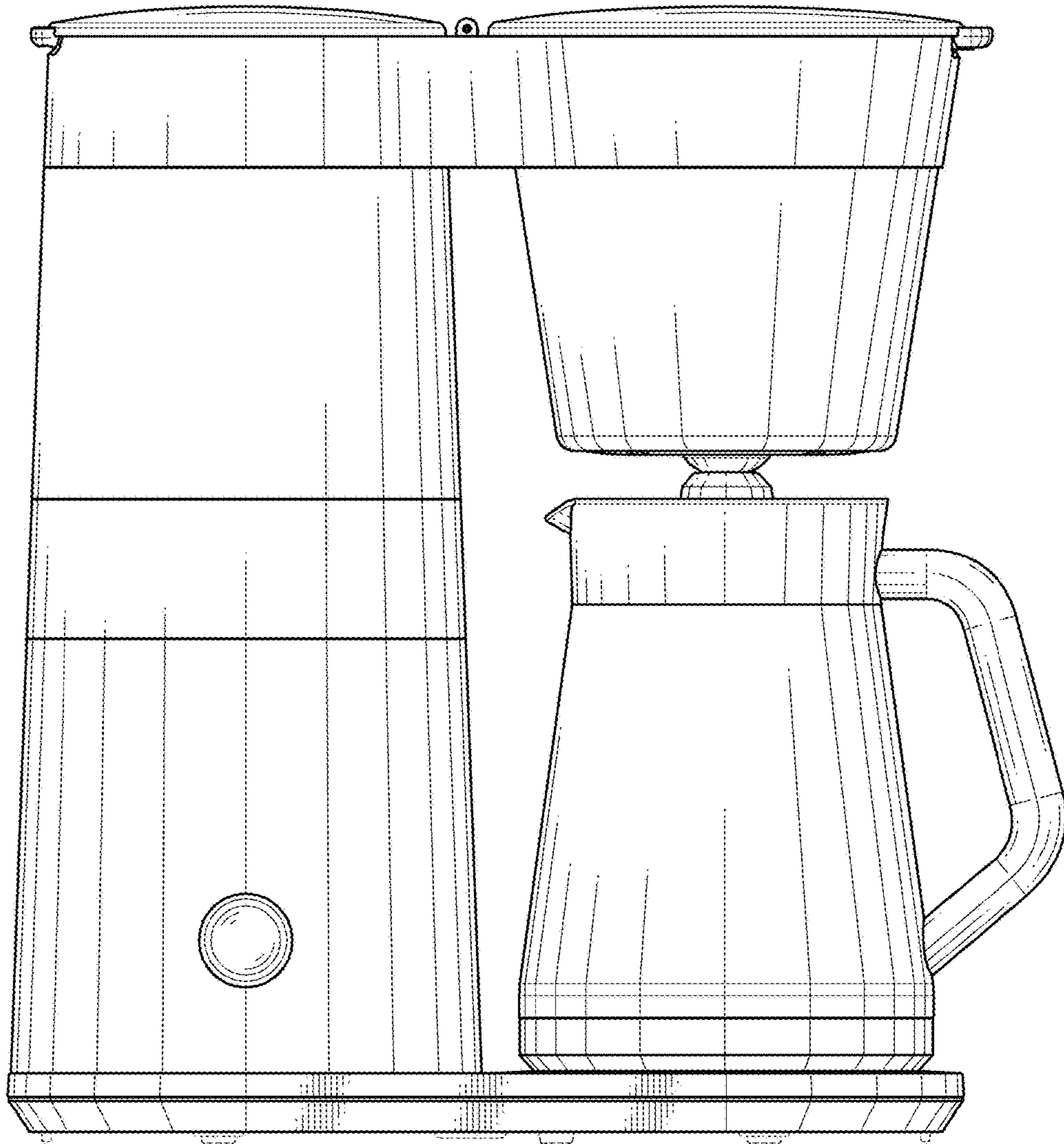


FIG. 2

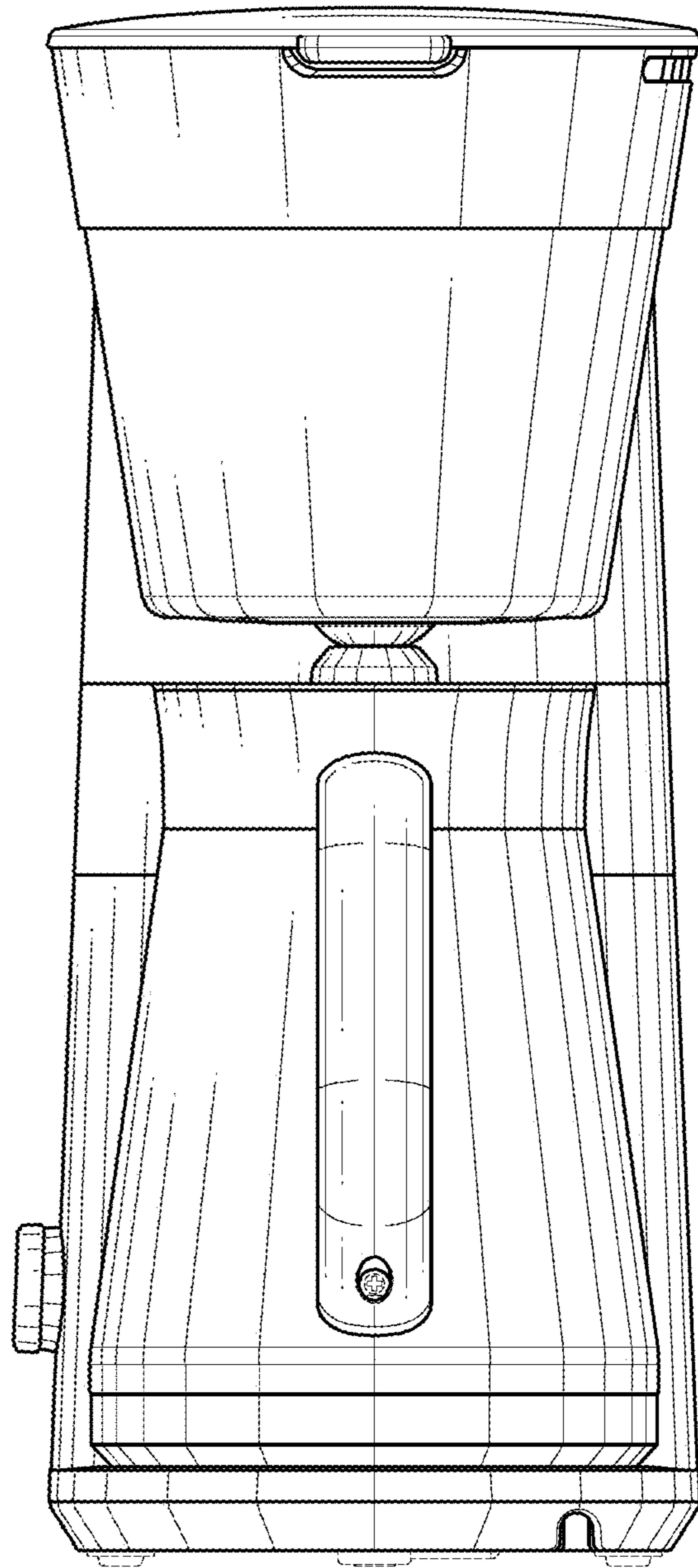


FIG. 3

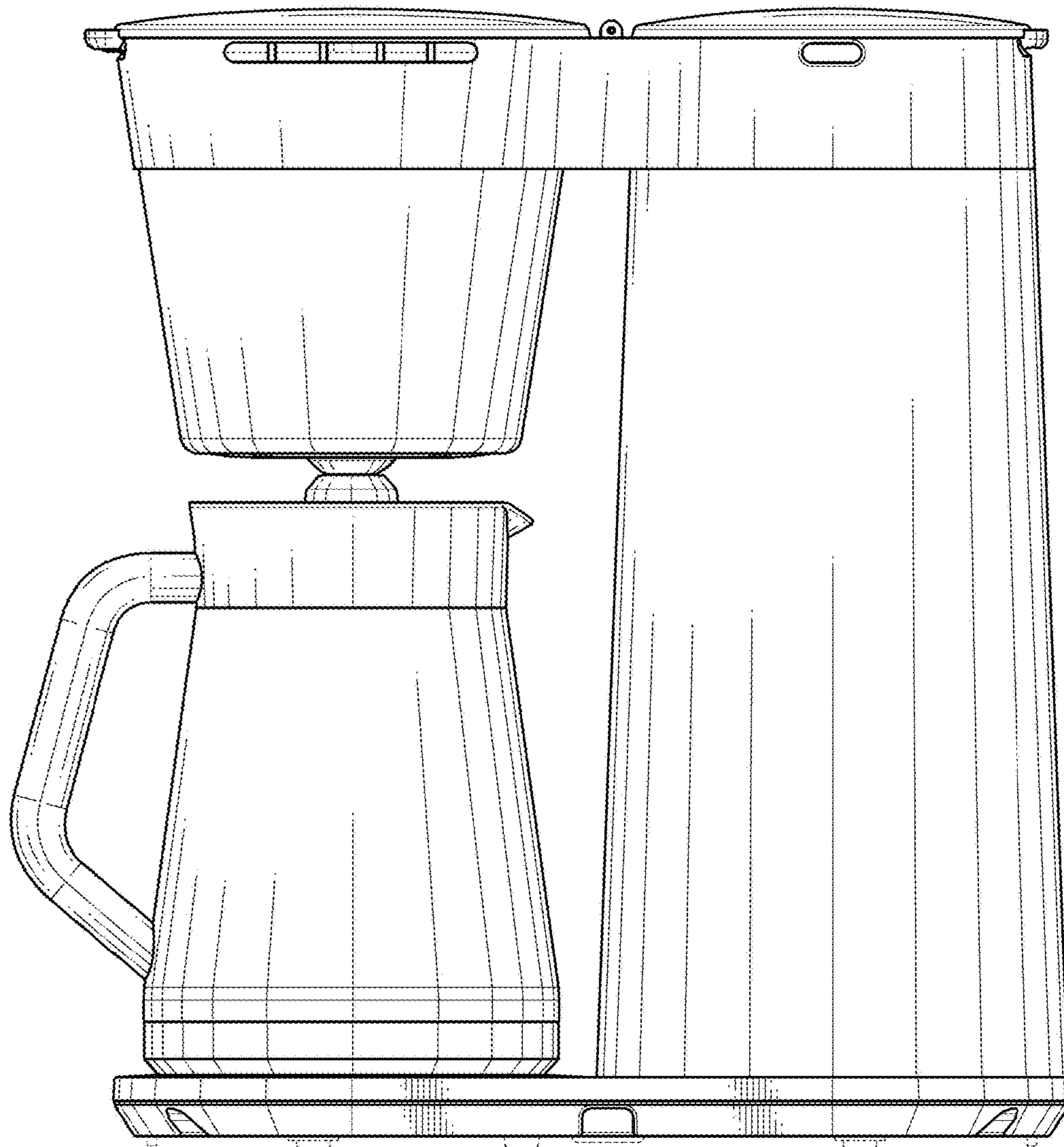


FIG. 4

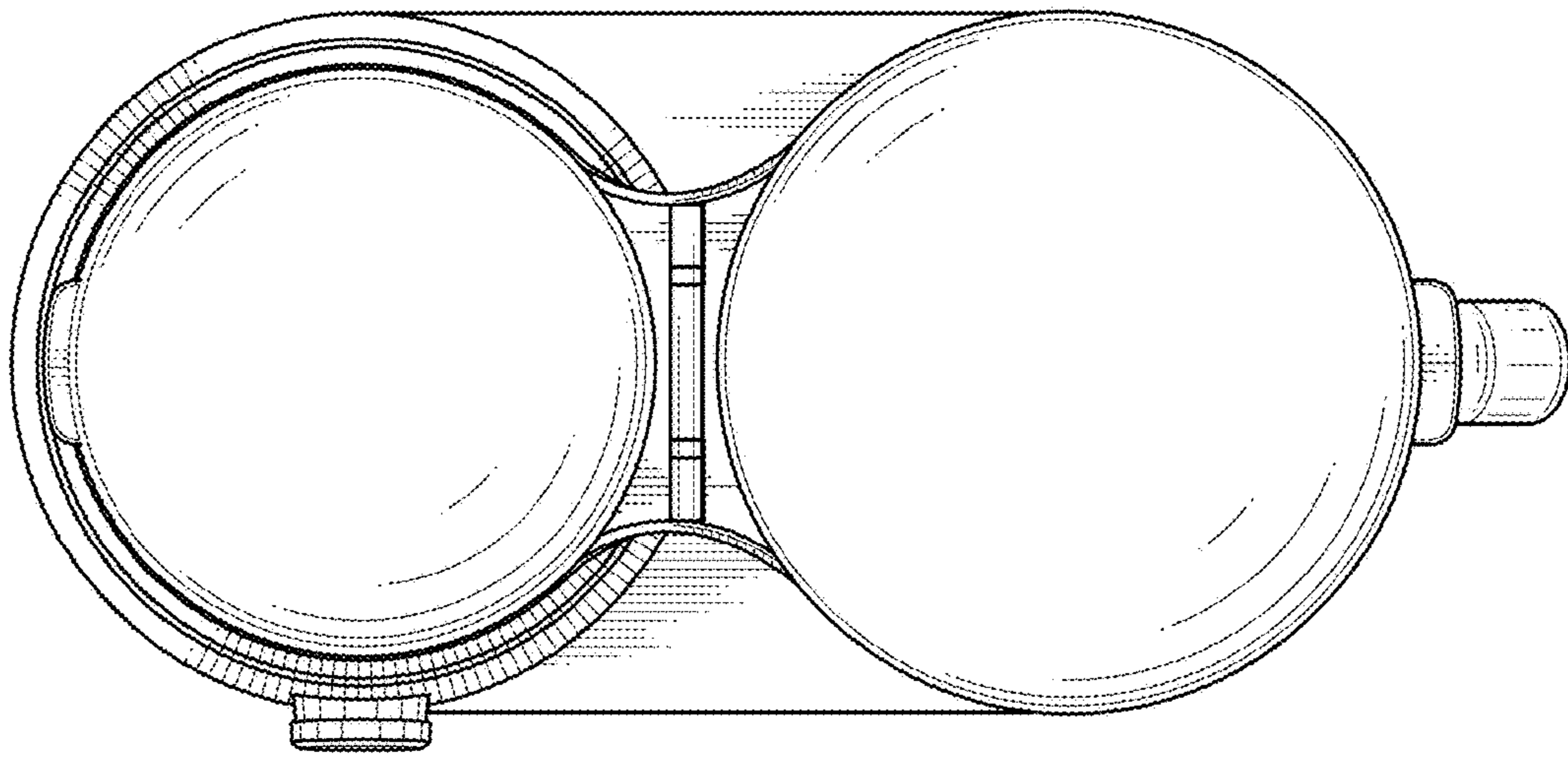


FIG. 5

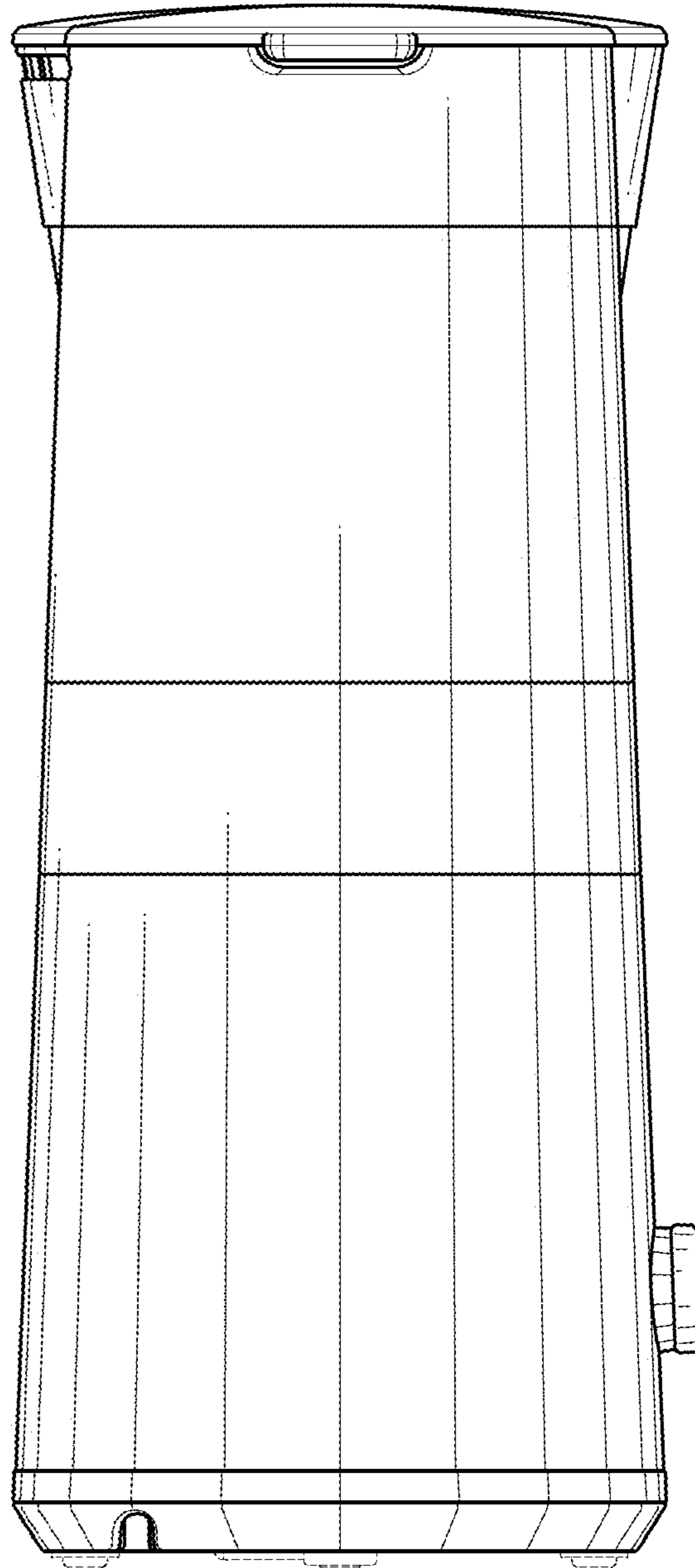


FIG. 6

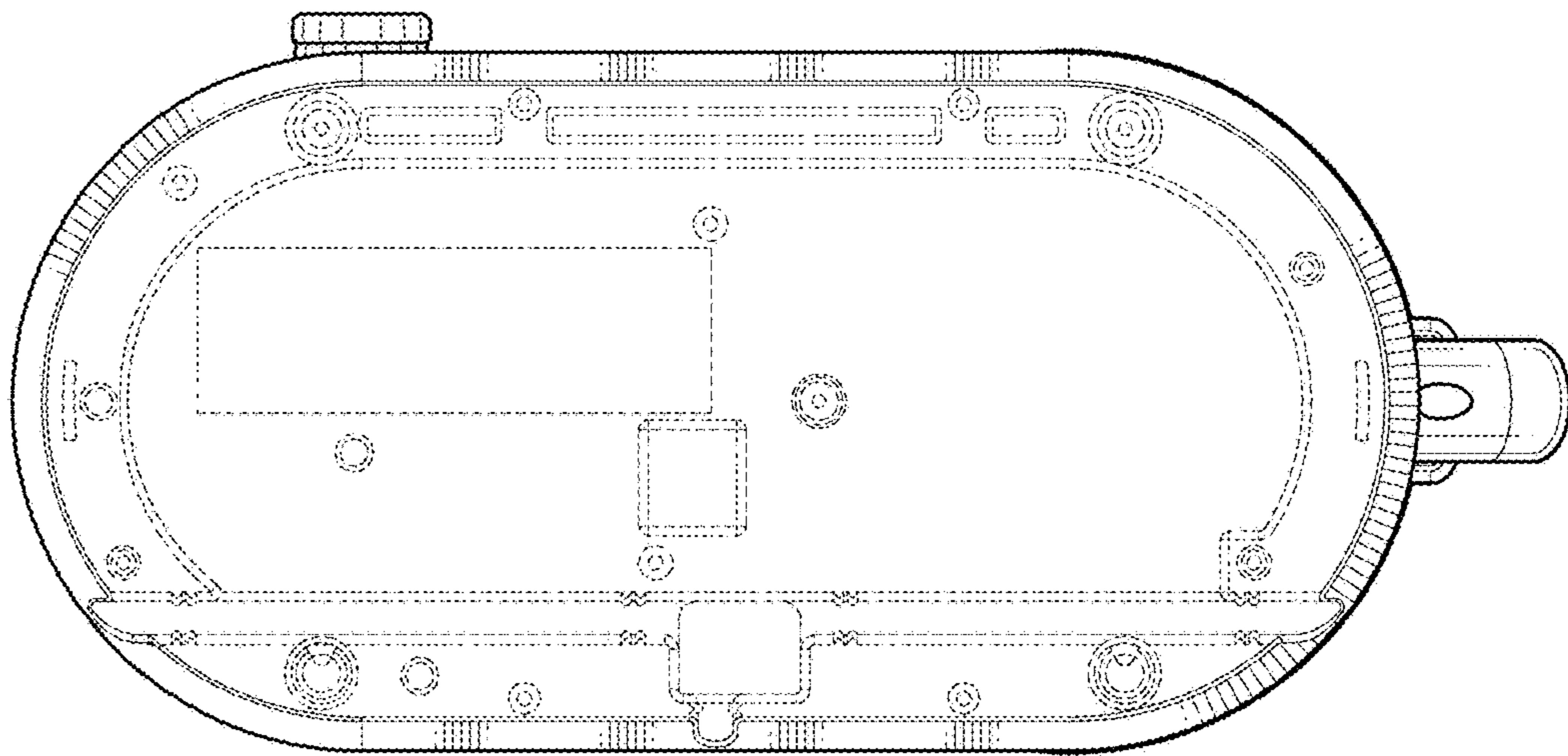


FIG. 7