



US00D773875S

(12) **United States Design Patent**
Gerard et al.

(10) **Patent No.:** **US D773,875 S**

(45) **Date of Patent:** **** Dec. 13, 2016**

(54) **SET OF SUPPORTS**

(71) Applicant: **Anova Furnishings, Inc.**, St. Louis, MO (US)

(72) Inventors: **Justin Gerard**, Lebanon, IL (US); **Sean J. Scott**, Chicago, IL (US)

(73) Assignee: **ANOVA FURNISHINGS, INC.**, St. Louis, MO (US)

(**) Term: **15 Years**

(21) Appl. No.: **29/529,190**

(22) Filed: **Jun. 4, 2015**

(51) **LOC (10) Cl.** **06-01**

(52) **U.S. Cl.**
USPC **D6/717**

(58) **Field of Classification Search**
USPC D6/334-336, 370, 373, 375, 379, 380, 381, D6/716.1, 716.2, 716.3, 717
CPC A47C 4/03; A47C 4/025; A47C 7/16; A47C 7/54; A47C 11/00
See application file for complete search history.

(56) **References Cited**

U.S. PATENT DOCUMENTS

D294,782 S * 3/1988 Balderi D6/373
D376,937 S * 12/1996 Skalka D6/717

D458,475 S * 6/2002 Hecht D6/717
D486,664 S * 2/2004 Pappas D6/381
D529,736 S * 10/2006 McCurry D6/717
D536,549 S * 2/2007 McCurry D6/381
D537,265 S * 2/2007 McCurry D6/381
D747,906 S * 1/2016 Paz D6/717

* cited by examiner

Primary Examiner — Mimoso De

(74) *Attorney, Agent, or Firm* — Lewis Rice LLC

(57) **CLAIM**

The ornamental design for a set of supports, as shown and described.

DESCRIPTION

FIG. 1 provides a front perspective view of a set of supports in use with a bench.

FIG. 2 provides a front view of a set of supports in use with a bench.

FIG. 3 provides a rear view of a set of supports in use with a bench.

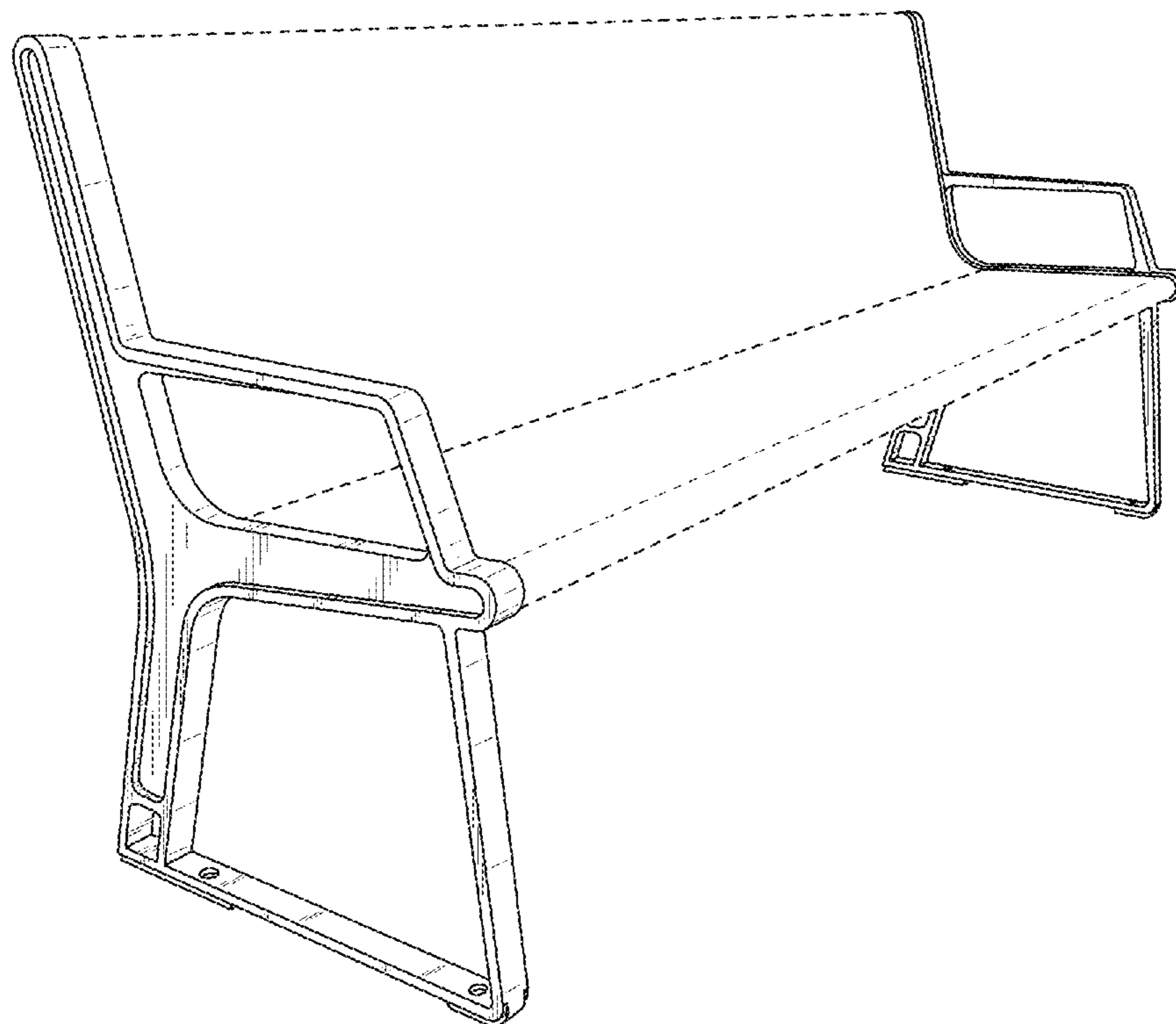
FIG. 4 provides a right side view of a set of supports in use with a bench.

FIG. 5 provides a left side view of a set of supports in use with a bench; and,

FIG. 6 provides a top view of a set of supports in use with a bench.

The broken lines showing bench surfaces are for illustrative purposes only and form no part of the invention.

1 Claim, 5 Drawing Sheets



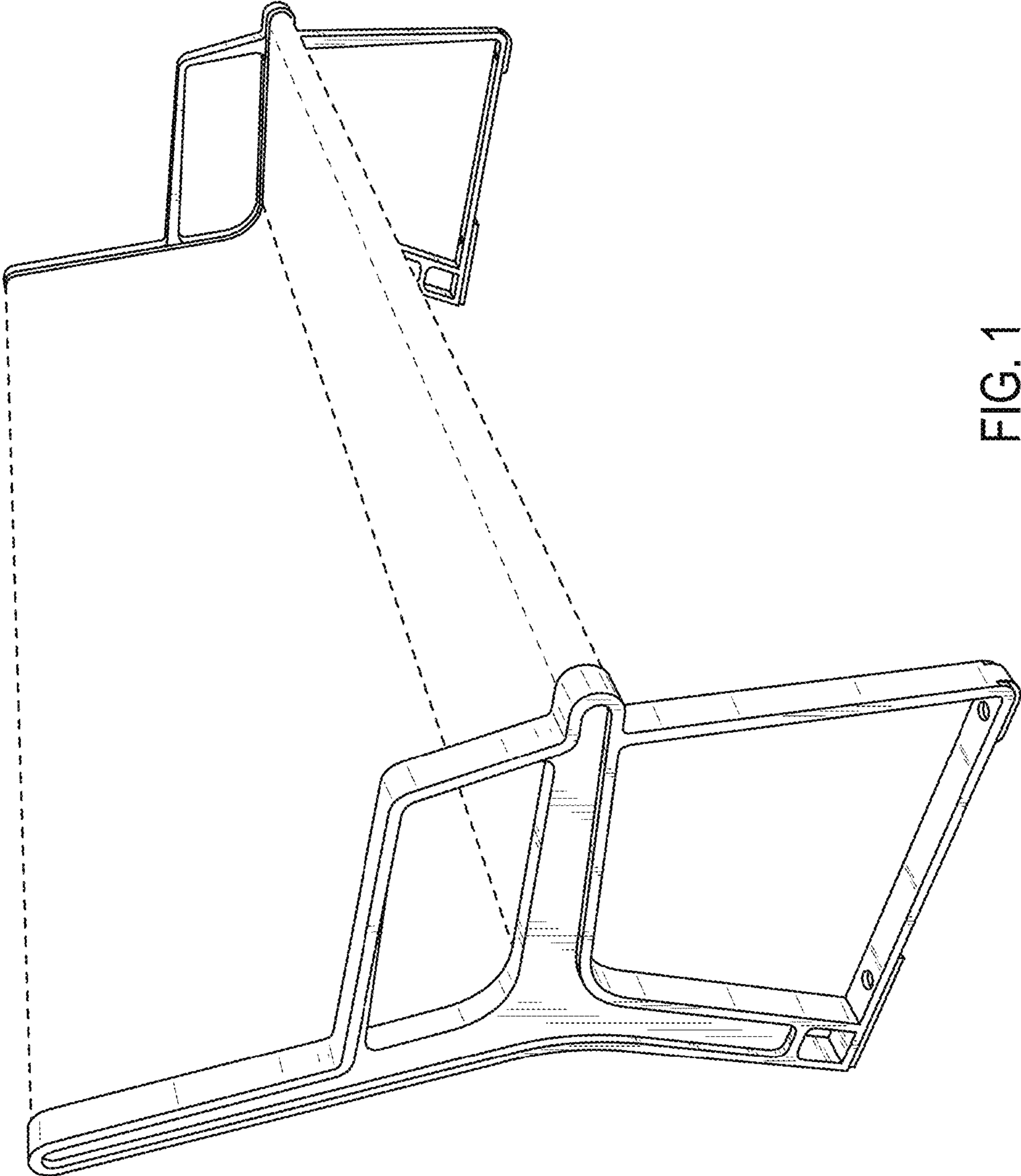


FIG. 1

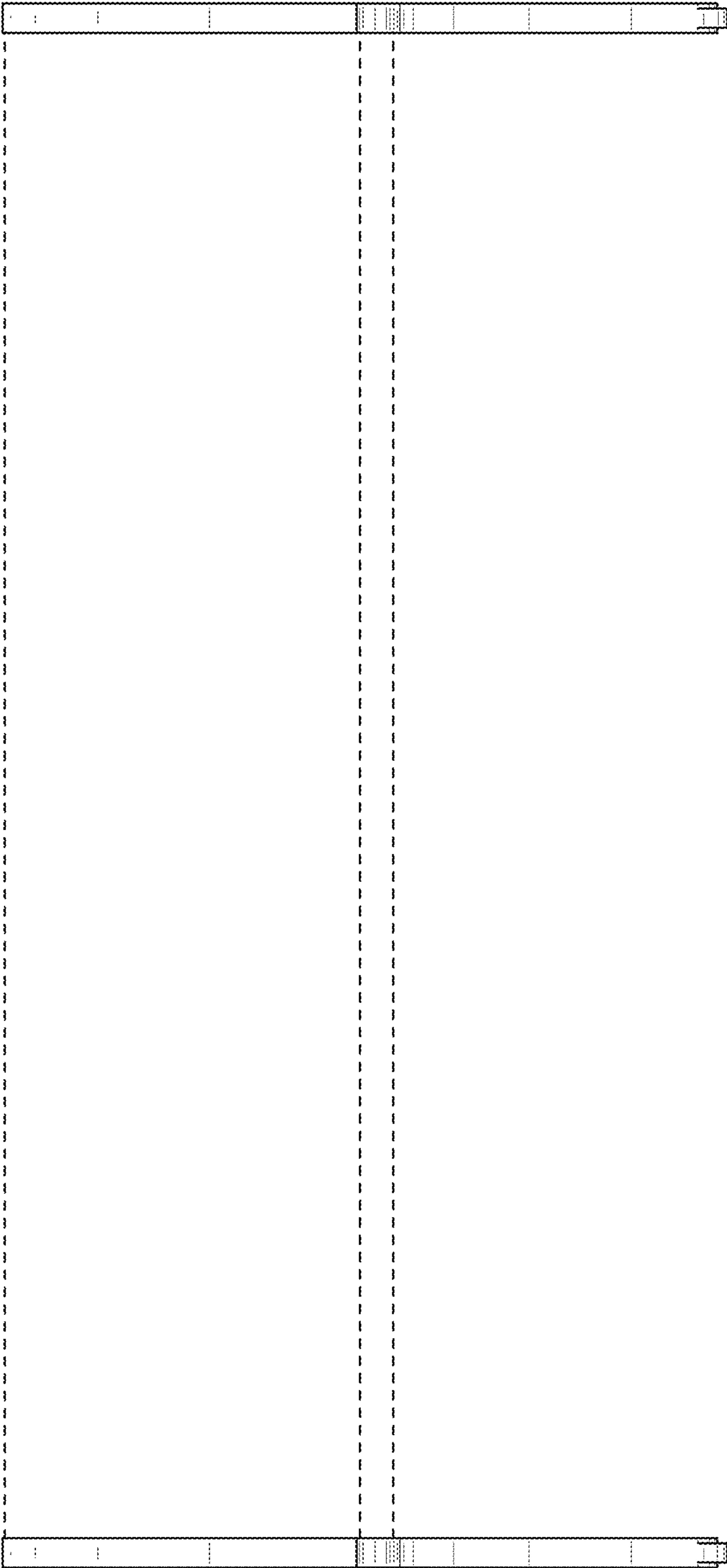


FIG. 2

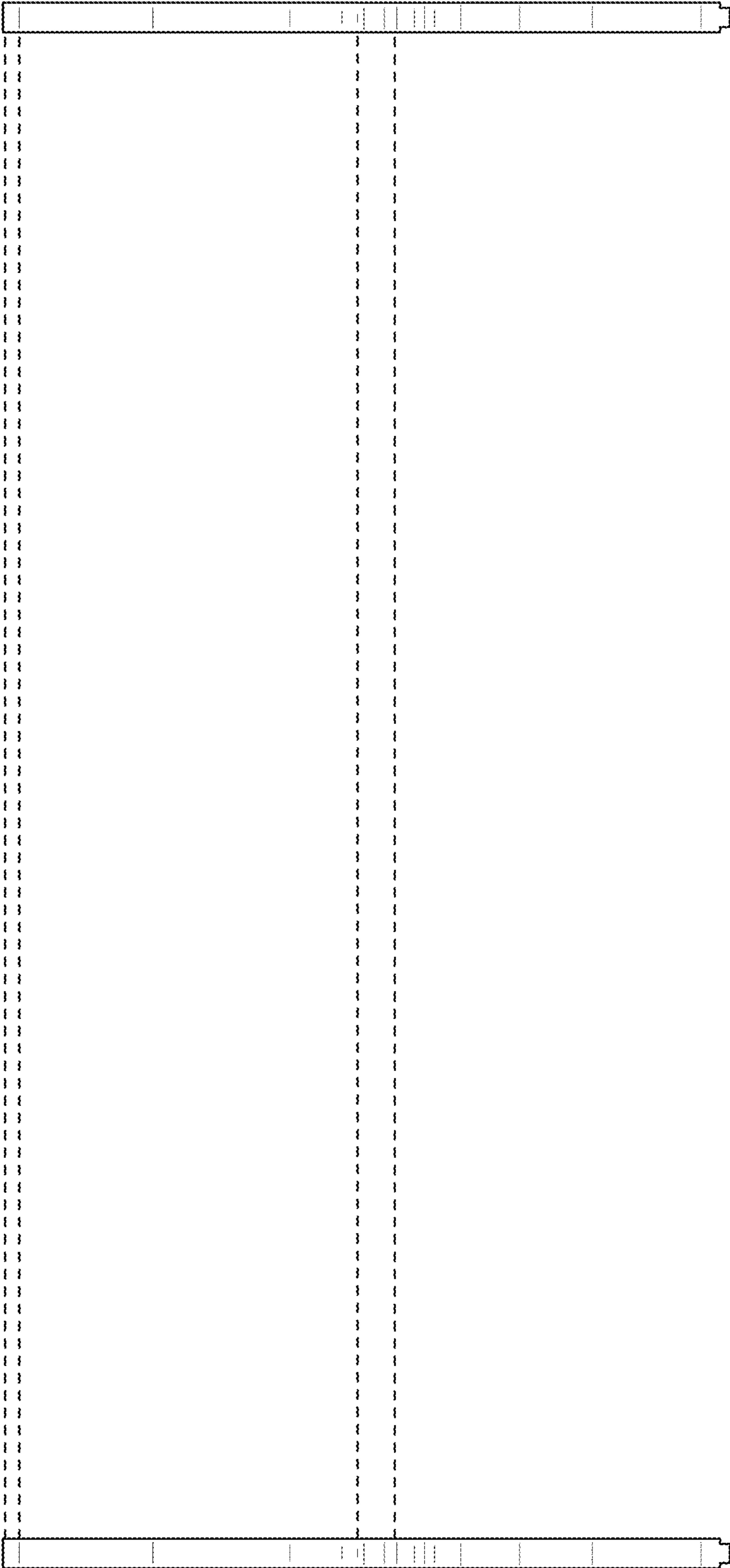


FIG. 3

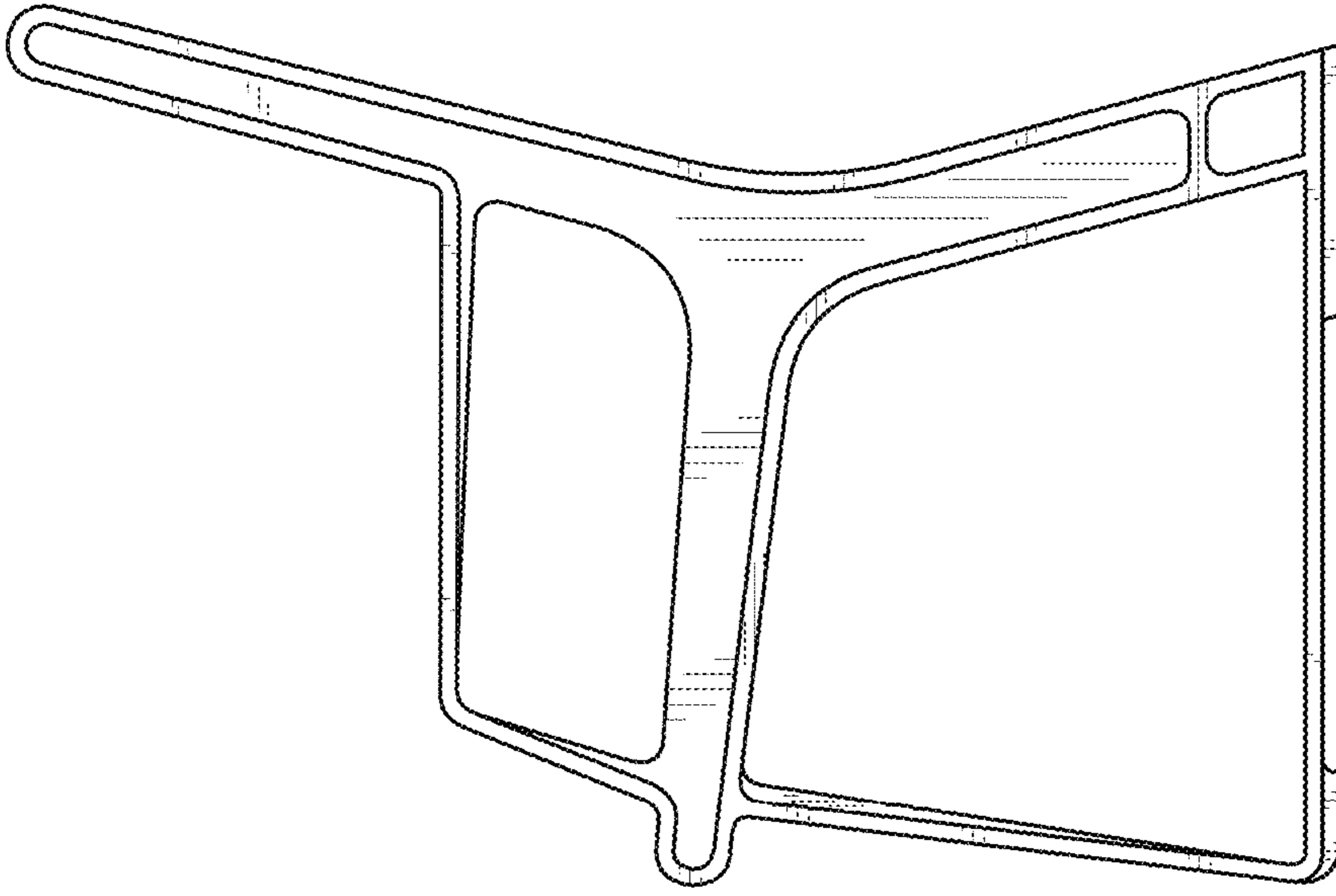


FIG. 5

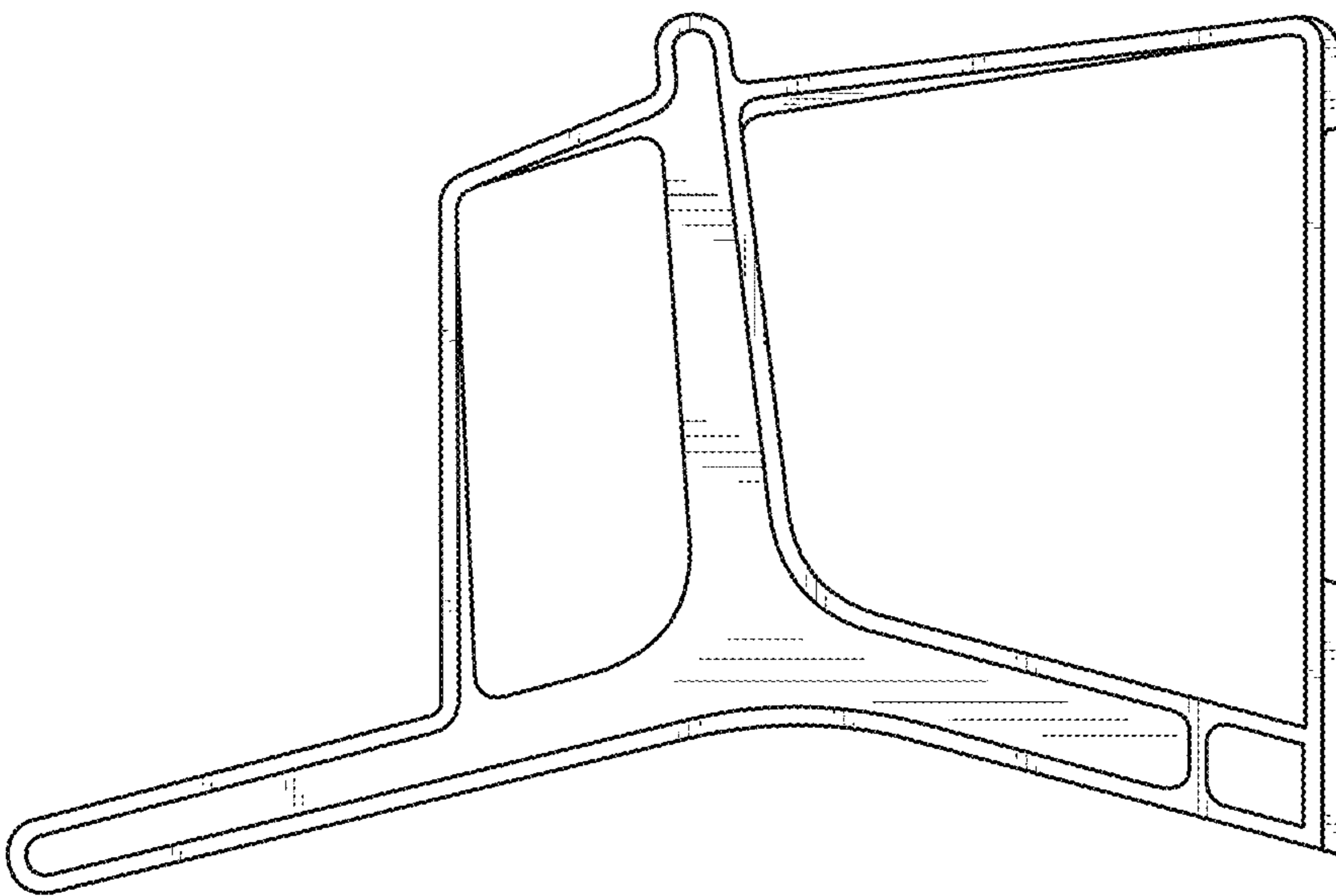


FIG. 4

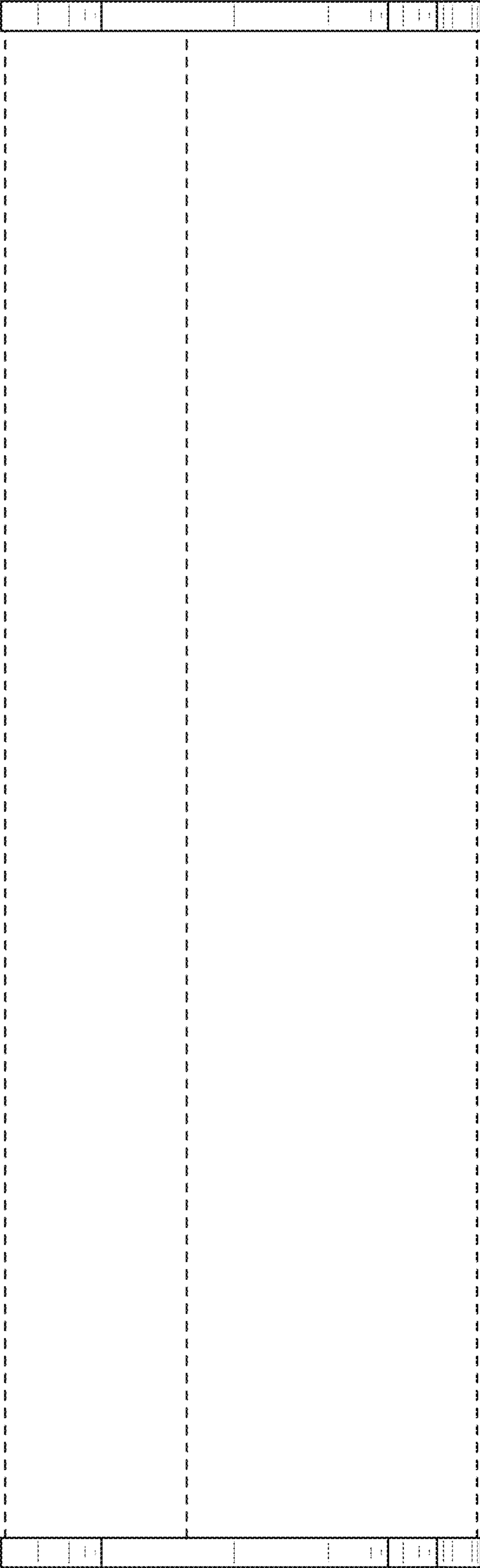


FIG. 6