



US00D773874S

(12) **United States Design Patent**
Su

(10) **Patent No.:** **US D773,874 S**
(45) **Date of Patent:** **** Dec. 13, 2016**

(54) **CHAIR BACKREST**

(71) Applicant: **Tung-Hua Su**, Tainan (TW)

(72) Inventor: **Tung-Hua Su**, Tainan (TW)

(**) Term: **14 Years**

(21) Appl. No.: **29/523,236**

(22) Filed: **Apr. 8, 2015**

(51) **LOC (10) Cl.** **06-01**

(52) **U.S. Cl.**

USPC **D6/716.4**; D6/366

(58) **Field of Classification Search**

USPC D6/334-336, 360-381, 716, 716.1-716.4

CPC A47C 1/02; A47C 1/03255; A47C 1/024;

A47C 3/025; A47C 3/026; A47C

7/02; A47C 7/022; A47C 7/028; A47C

7/004; A47C 7/18; A47C 7/282; A47C

7/40; A47C 7/402; A47C 7/44; A47C

7/46; A47C 7/54; B60N 2/64; B60N 2/66

See application file for complete search history.

(56) **References Cited**

U.S. PATENT DOCUMENTS

D471,042 S * 3/2003 Schmitz D6/366

D539,578 S * 4/2007 Chen D6/366

D557,025 S *	12/2007	Chen	D6/366
D580,199 S *	11/2008	Su	D6/366
D600,477 S *	9/2009	Su	D6/366
D646,092 S *	10/2011	Romero	D6/716
D660,621 S *	5/2012	Su	D6/366
D660,622 S *	5/2012	Su	D6/366
D683,172 S *	5/2013	Su	D6/366
D683,574 S *	6/2013	Su	D6/366
D697,732 S *	1/2014	Wan	D6/366
D703,457 S *	4/2014	Plikat	D6/366
D766,605 S *	9/2016	Li	D6/366

* cited by examiner

Primary Examiner — Ricky Pham

(57) **CLAIM**

The ornamental design for a chair backrest, as shown and described.

DESCRIPTION

FIG. 1 is a perspective view of the chair backrest showing my new design;

FIG. 2 is a front elevation view thereof;

FIG. 3 is a rear elevation view thereof;

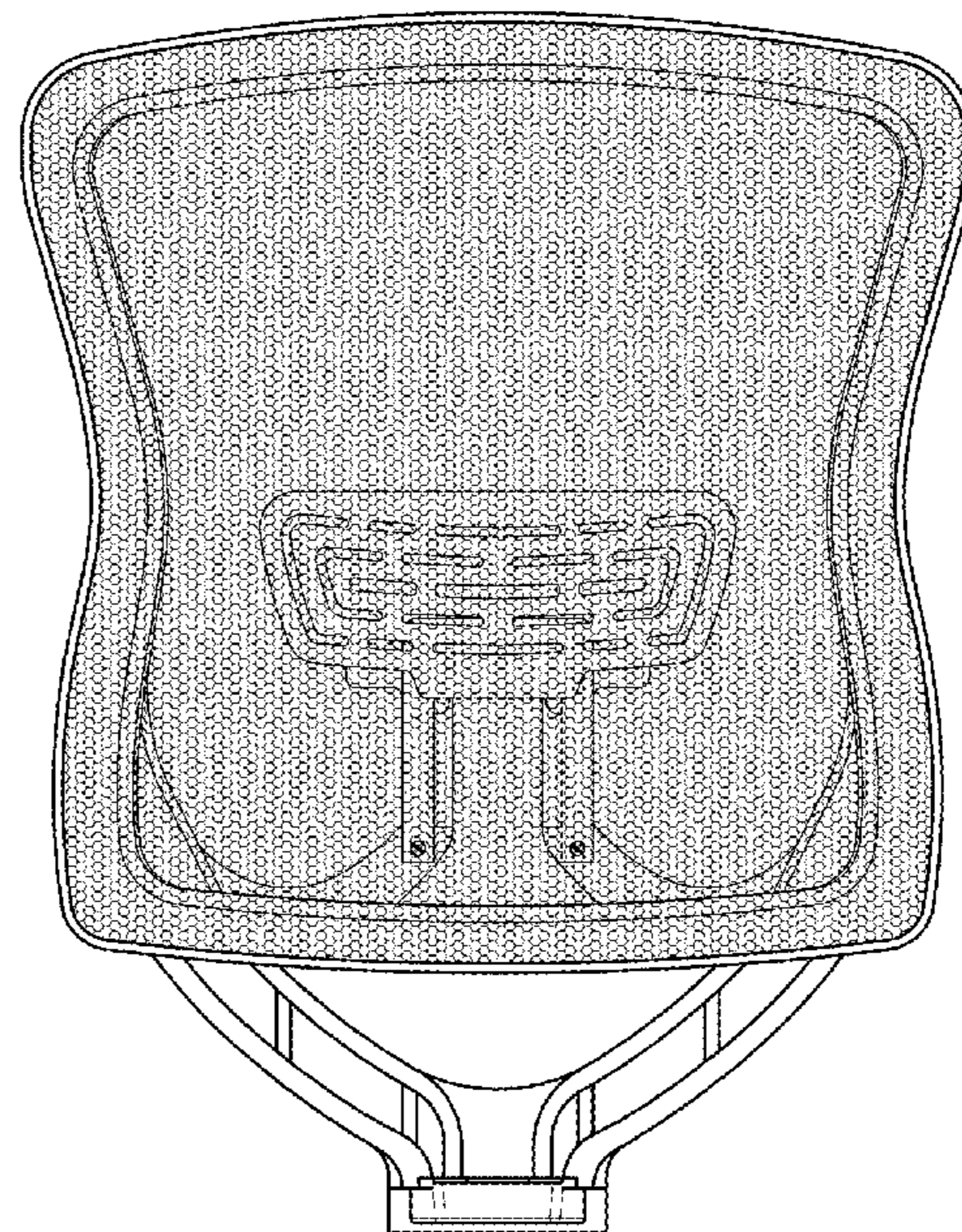
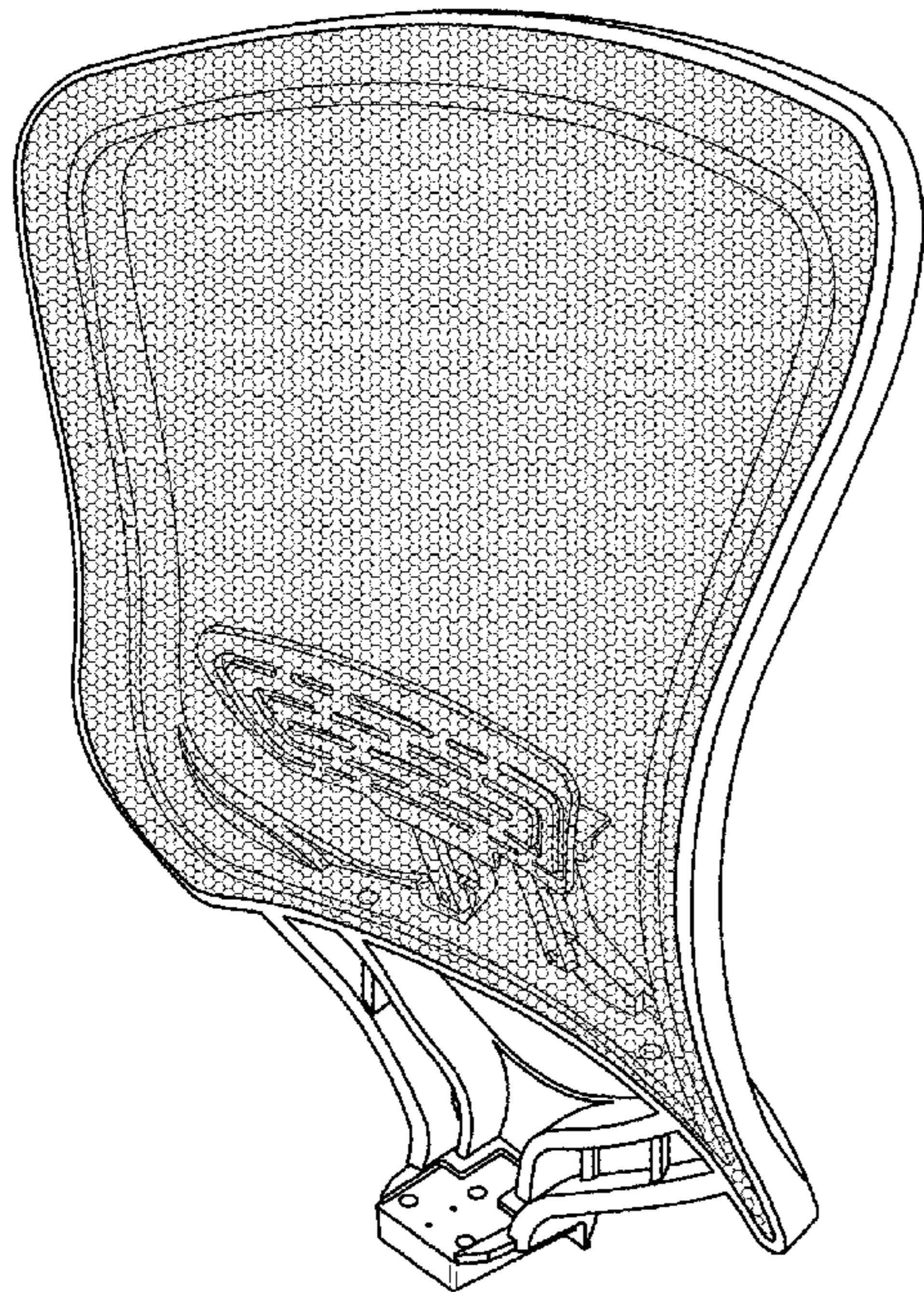
FIG. 4 is a left side elevation view thereof;

FIG. 5 is a right side elevation view thereof;

FIG. 6 is a top plan view thereof; and,

FIG. 7 is a bottom plan view thereof.

1 Claim, 7 Drawing Sheets



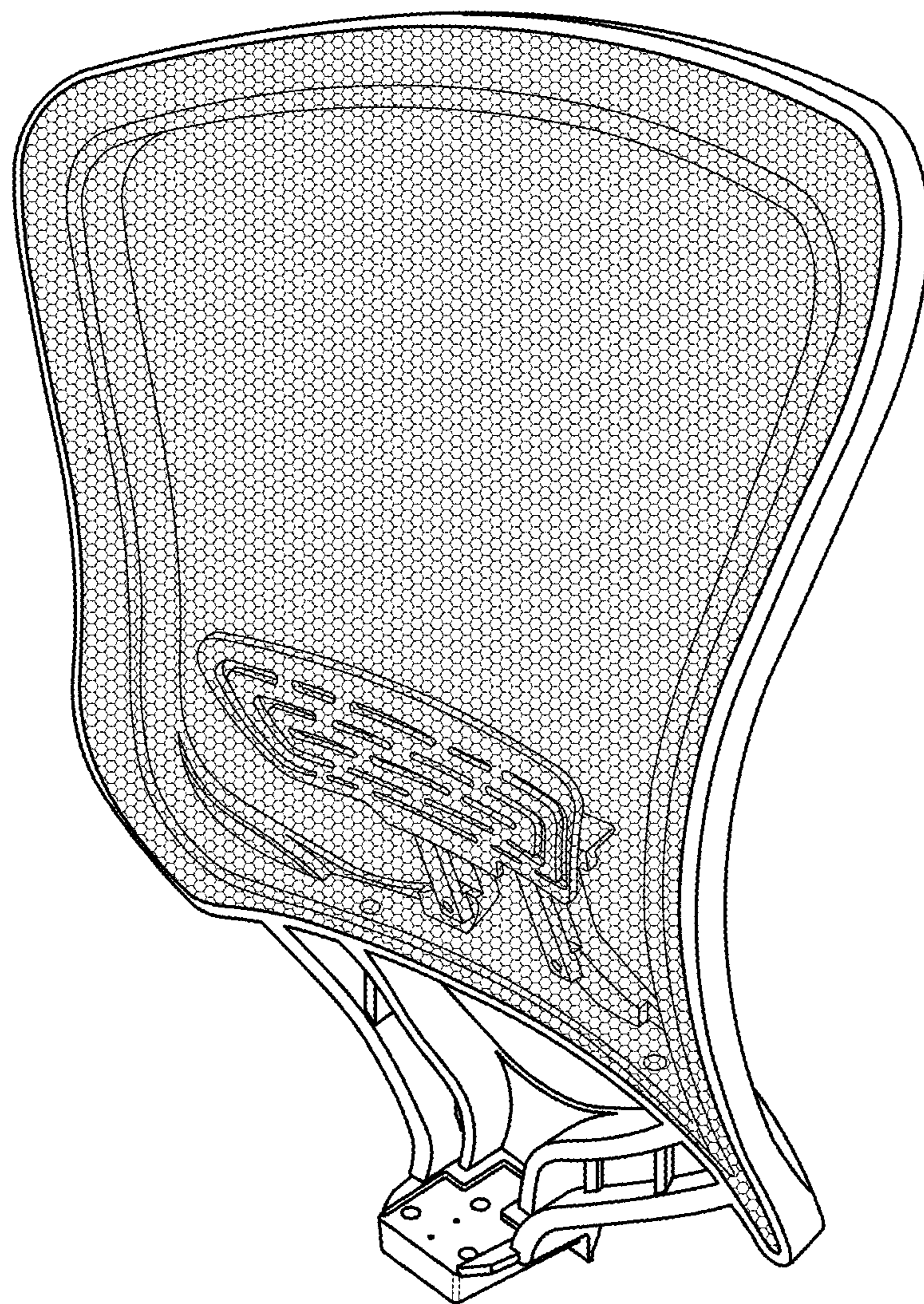


FIG. 1

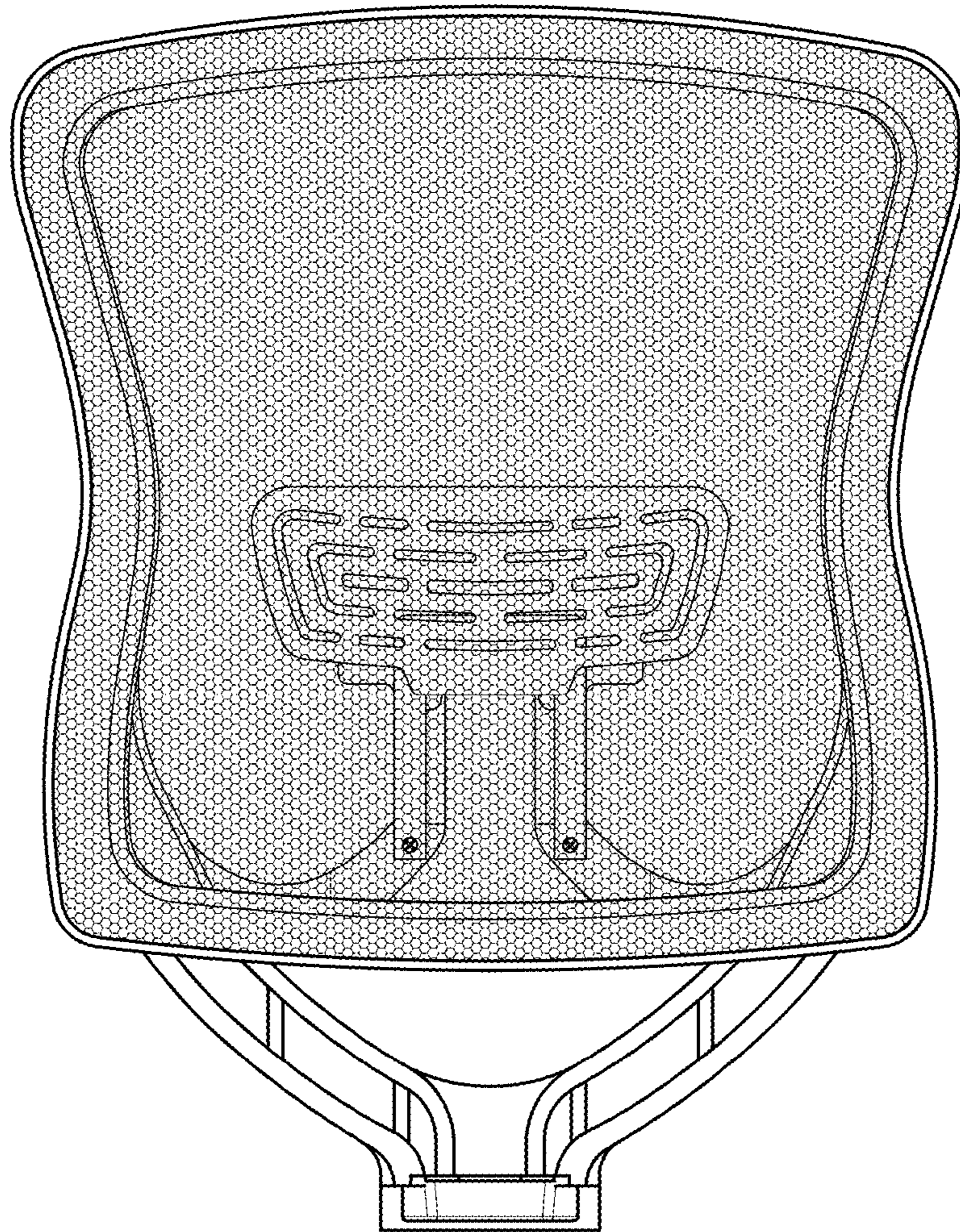
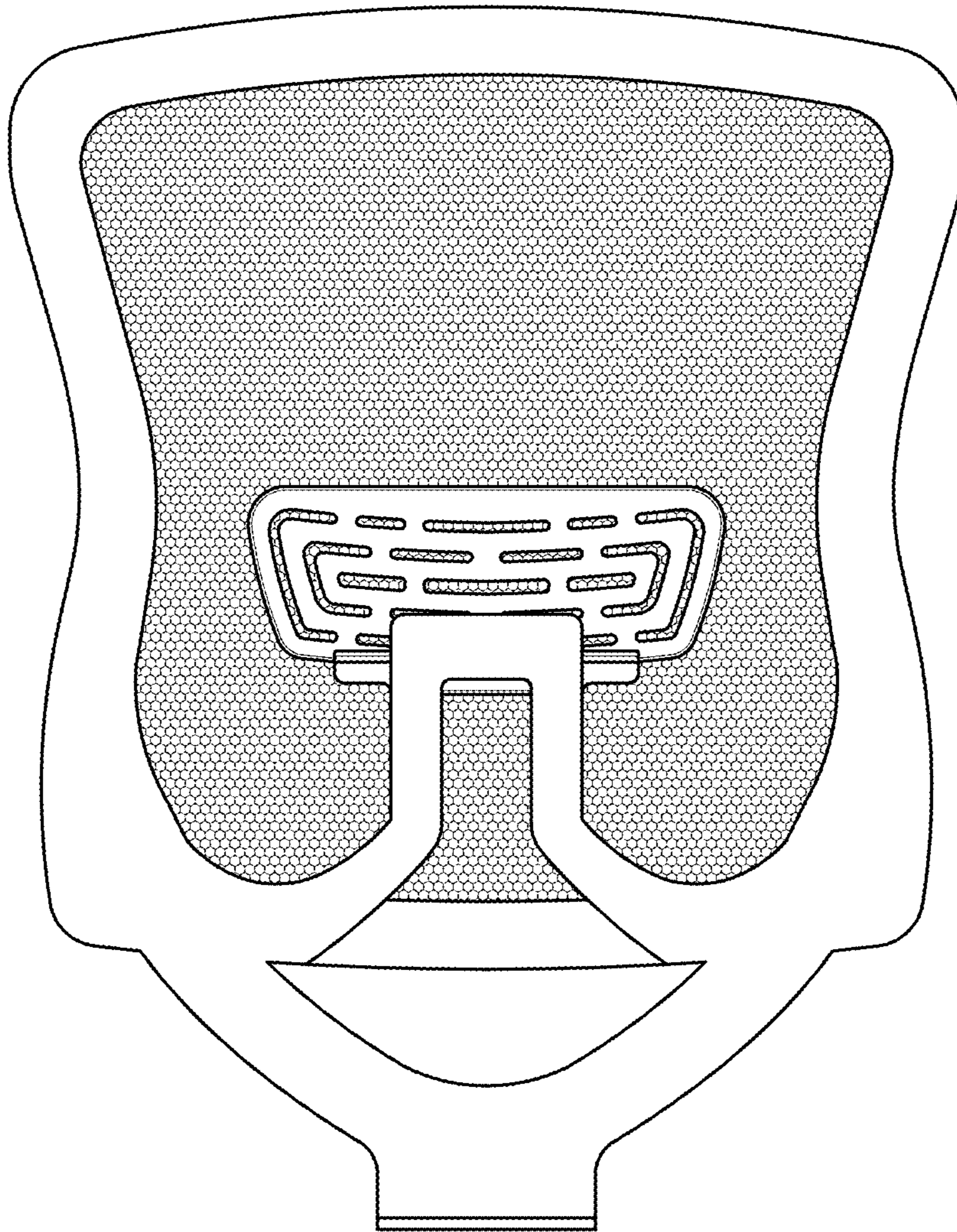
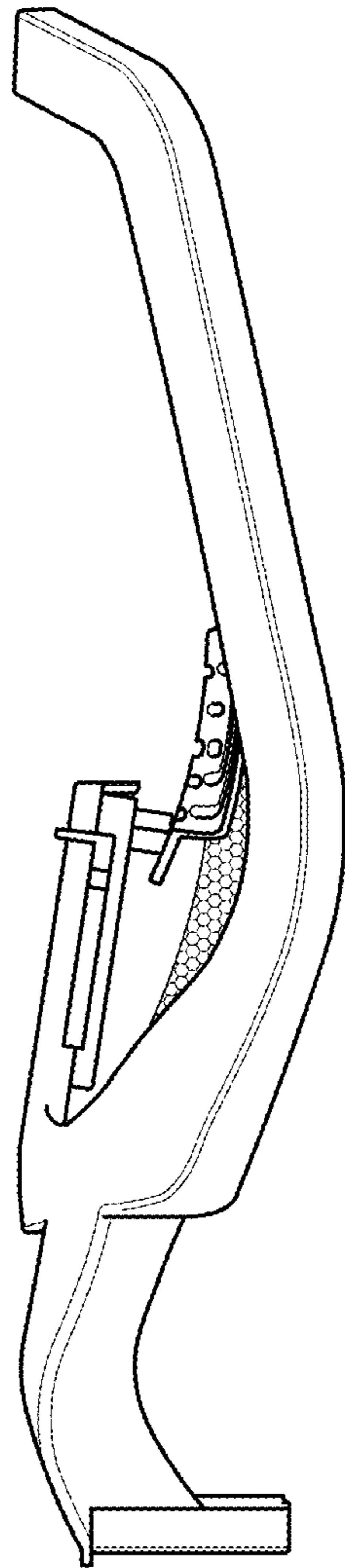


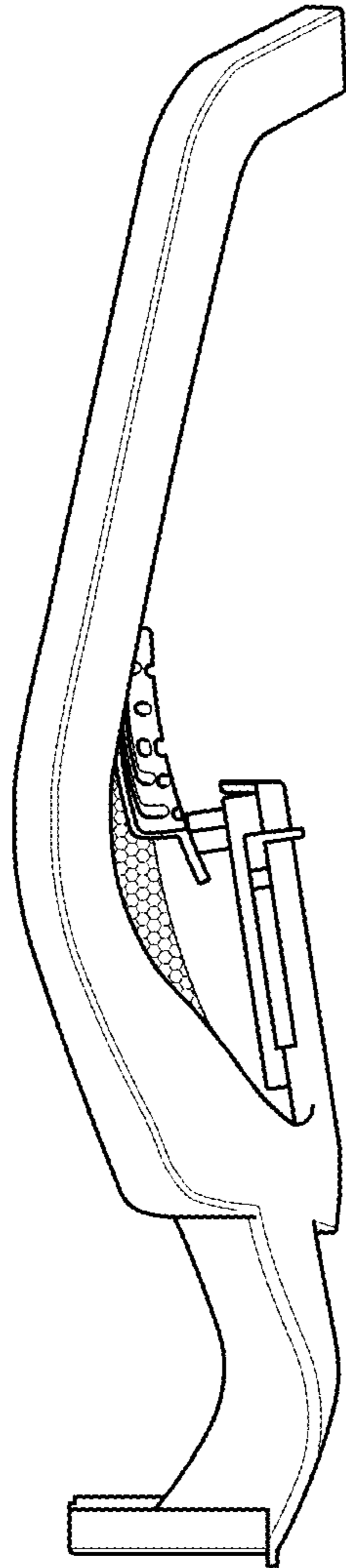
FIG. 2



F I G . 3



F I G . 4



F I G . 5

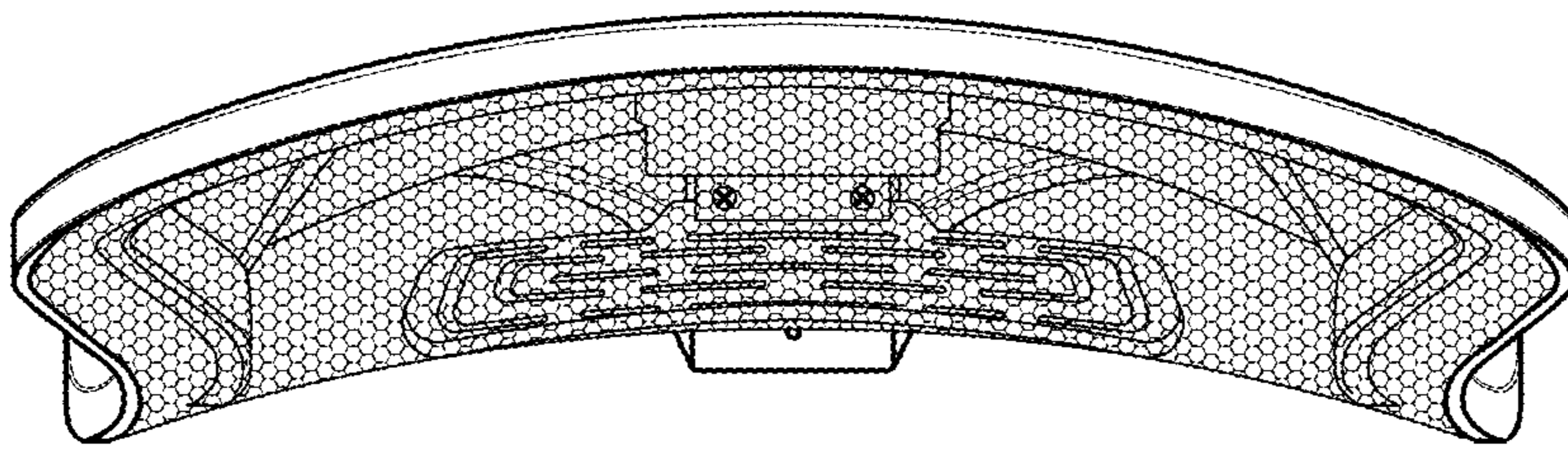


FIG. 6

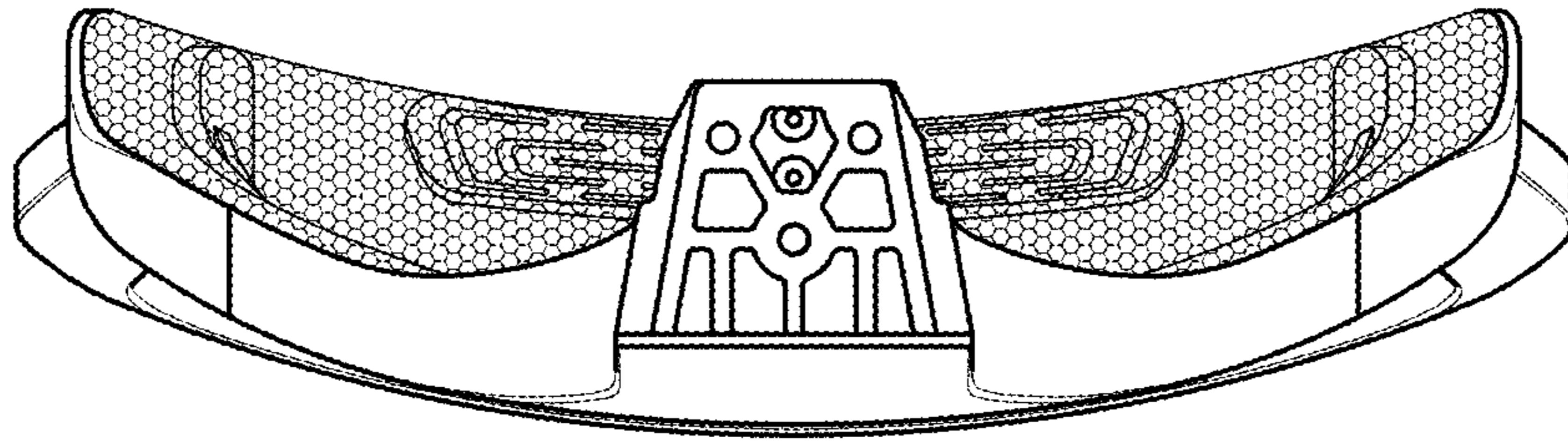


FIG. 7