



US00D773872S

(12) **United States Design Patent**  
**Kim**

(10) **Patent No.:** **US D773,872 S**

(45) **Date of Patent:** **\*\* Dec. 13, 2016**

(54) **ARMREST**

(71) Applicant: **Sidiz, Inc.**, Pyeongtaek-si, Gyeonggi-do (KR)

(72) Inventor: **Jae Young Kim**, Anyang-si (KR)

(73) Assignee: **SIDIZ, INC.**, Pyeongtaek-si, Gyeonggi-do (KR)

(\*\*) Term: **14 Years**

(21) Appl. No.: **29/509,665**

(22) Filed: **Nov. 20, 2014**

(30) **Foreign Application Priority Data**

May 23, 2014 (KR) ..... 30-2014-0025673

(51) **LOC (10) Cl.** ..... **06-01**

(52) **U.S. Cl.**  
USPC ..... **D6/716.2**

(58) **Field of Classification Search**  
USPC D6/334-336, 366, 367, 369, 379, 380, 716,  
D6/716.2, 716.4

CPC ..... A47C 7/54; A47C 7/543; A47C 7/40;  
A47C 7/022; A47C 7/282

See application file for complete search history.

(56) **References Cited**

**U.S. PATENT DOCUMENTS**

D646,092 S \* 10/2011 Romero ..... D6/716  
D683,551 S \* 6/2013 Wu ..... D6/366

D688,055 S \* 8/2013 Baldanzi ..... D6/366  
D703,966 S \* 5/2014 Wu ..... D6/366  
D704,946 S \* 5/2014 Wu ..... D6/366  
D707,459 S \* 6/2014 Ma ..... D6/366  
D708,879 S \* 7/2014 Tsai ..... D6/716  
D724,367 S \* 3/2015 Sander ..... D6/366  
D728,291 S \* 5/2015 Ooki ..... D6/716.4

\* cited by examiner

*Primary Examiner* — Mimoso De

(74) *Attorney, Agent, or Firm* — Paratus Law Group, PLLC

(57) **CLAIM**

The ornamental design for an “armrest,” as shown and described.

**DESCRIPTION**

FIG. 1 is a perspective view of armrest showing my new design;

FIG. 2 is a front elevational view thereof;

FIG. 3 is a back elevational view thereof;

FIG. 4 is a left side elevational view thereof;

FIG. 5 is a right side elevational view thereof;

FIG. 6 is a top view thereof;

FIG. 7 is a bottom view thereof; and,

FIG. 8 is a reference view (a perspective view showing a chair with an armrest) thereof.

The broken line showing the remainder of the chair in FIG. 8 is for the purpose of illustrating environmental structure and forms no part of the claimed design.

**1 Claim, 8 Drawing Sheets**

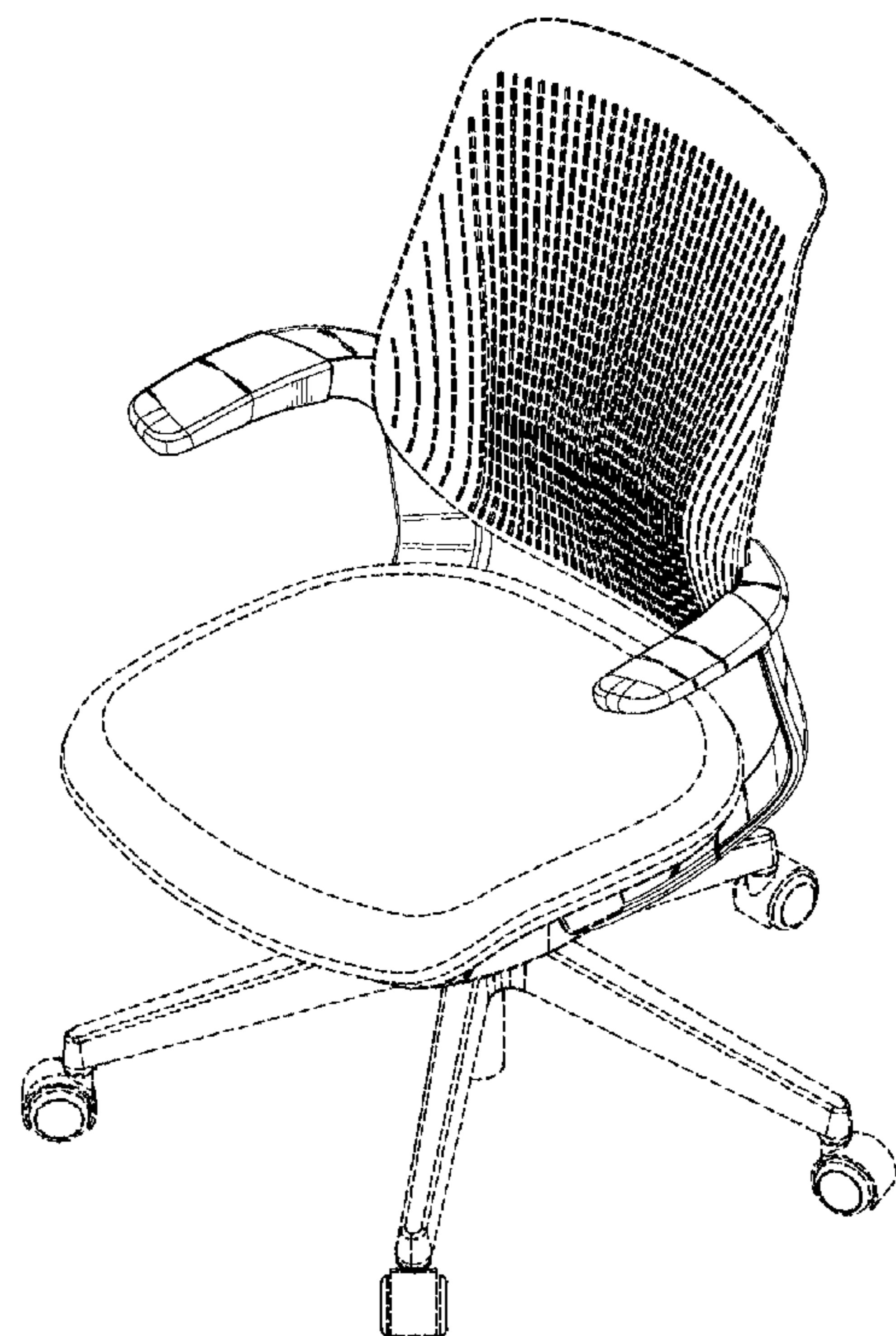
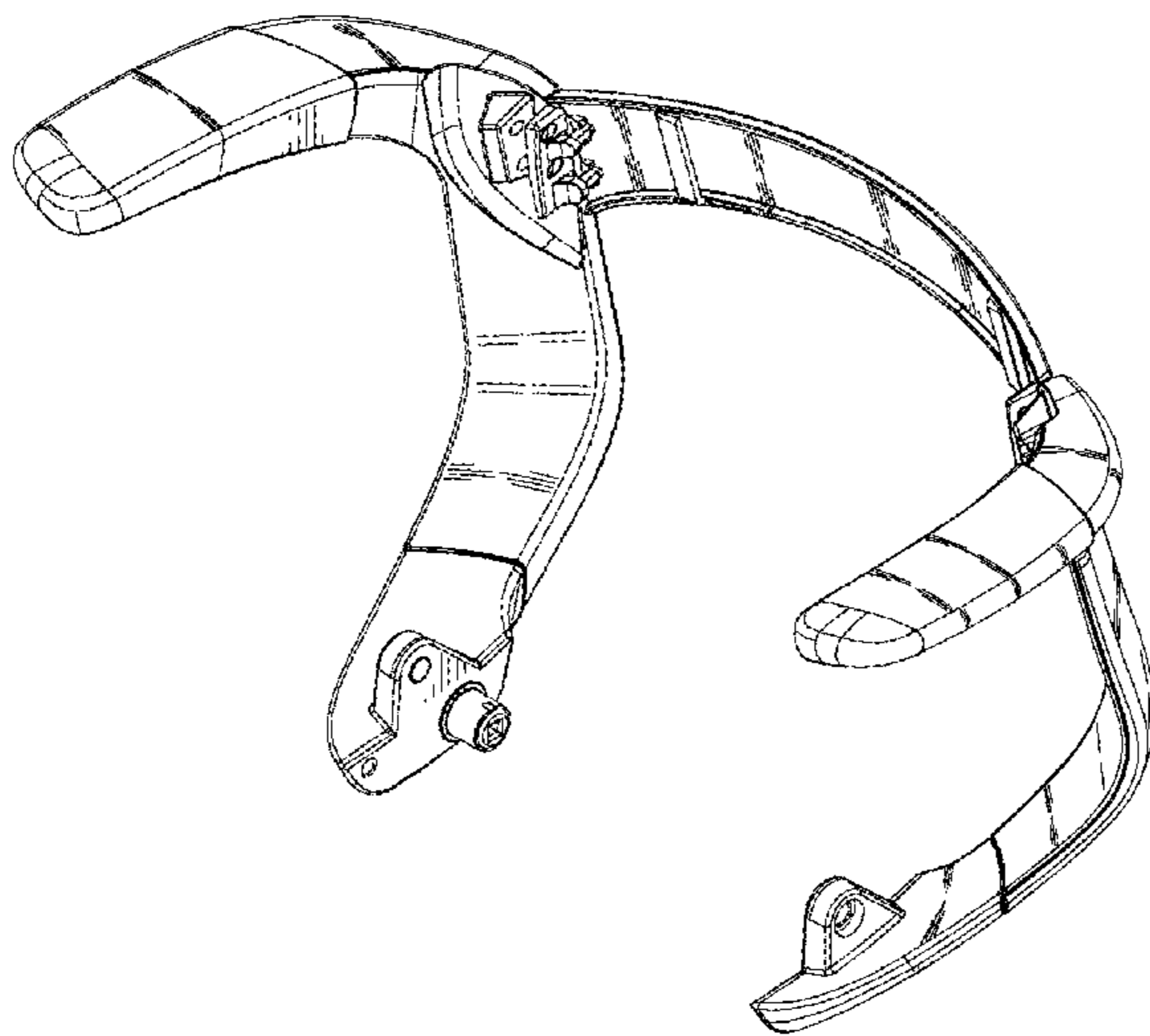


FIG. 1

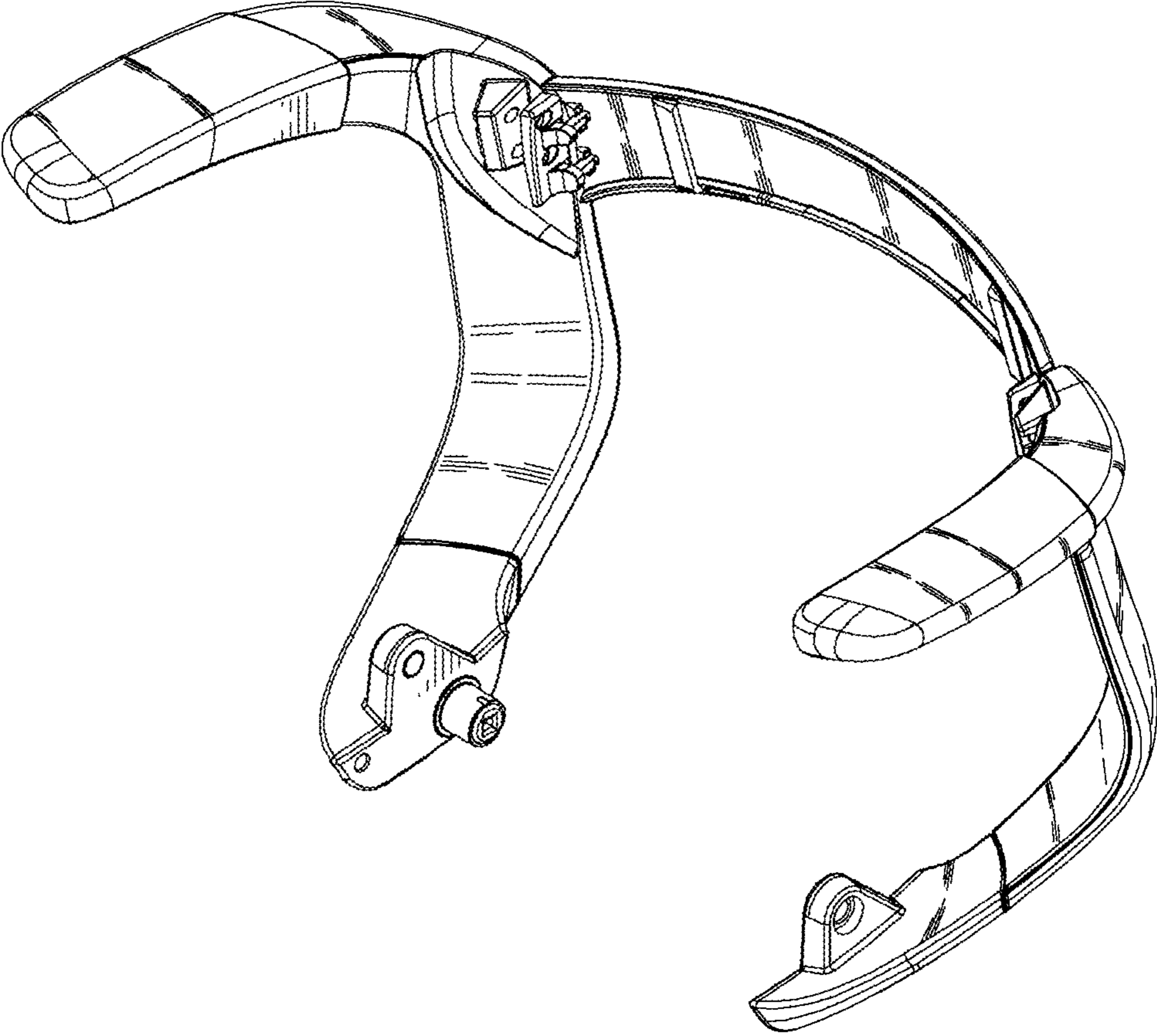
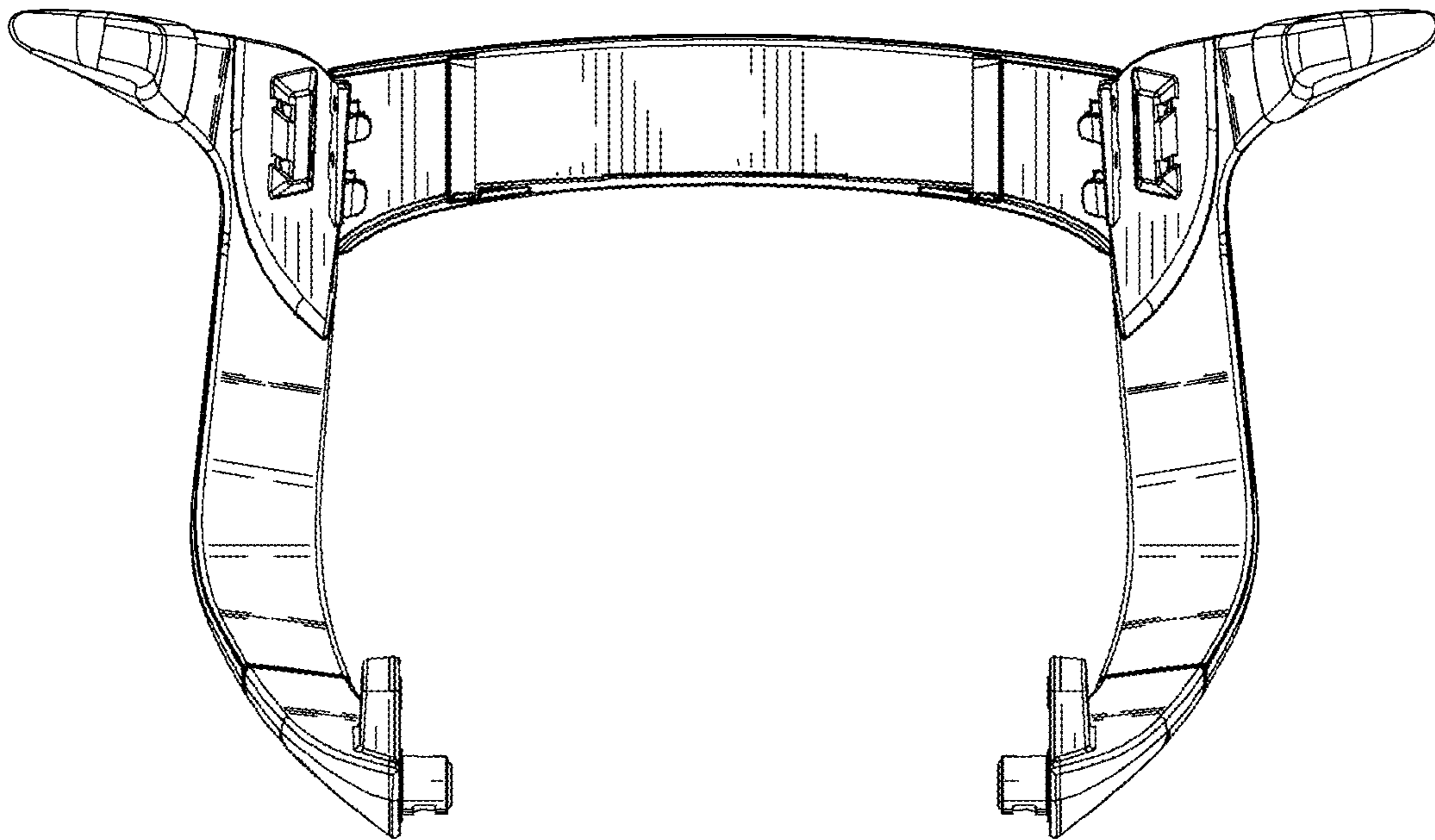
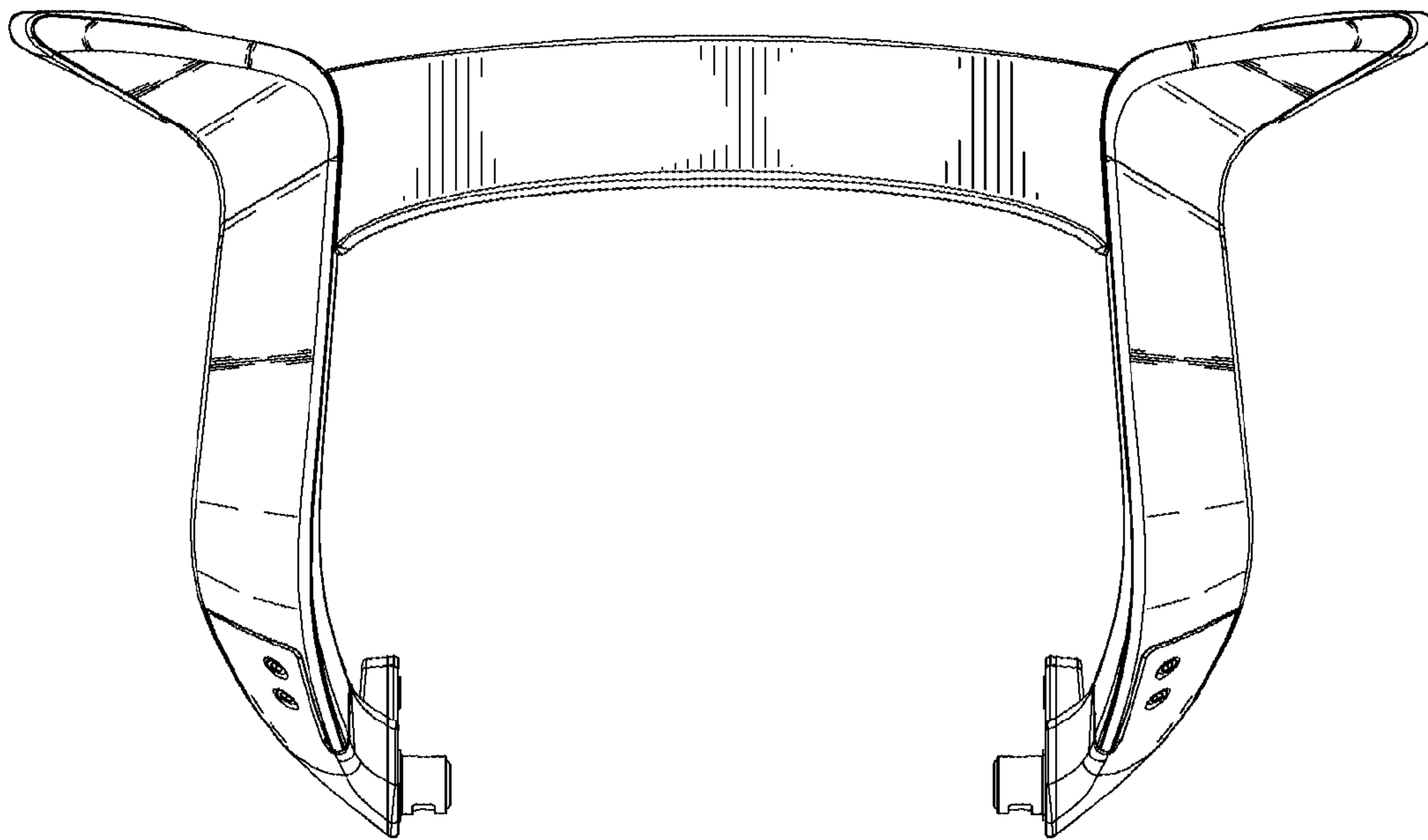


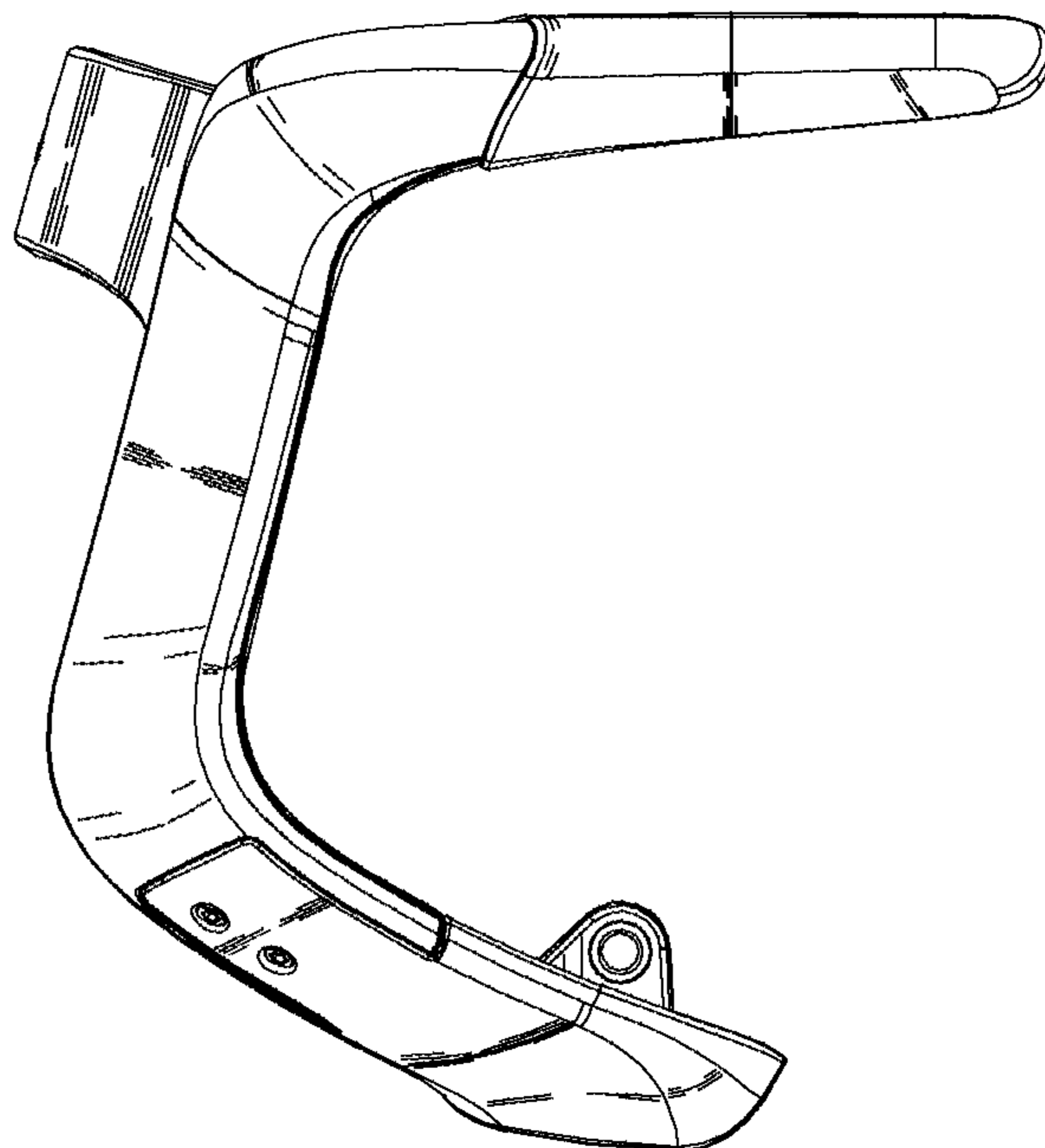
FIG. 2



**FIG. 3**



**FIG. 4**





**FIG. 5**

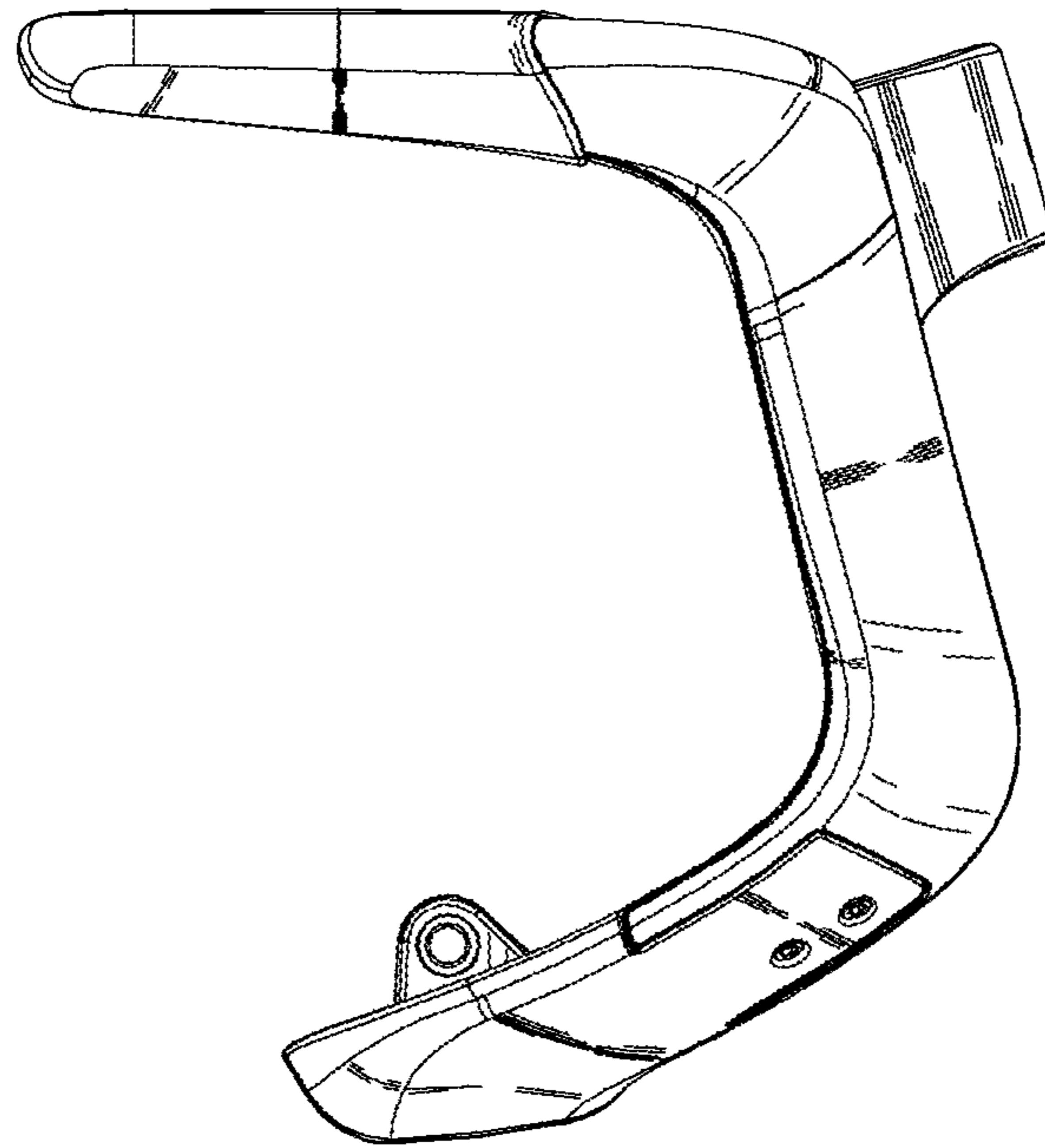


FIG. 6

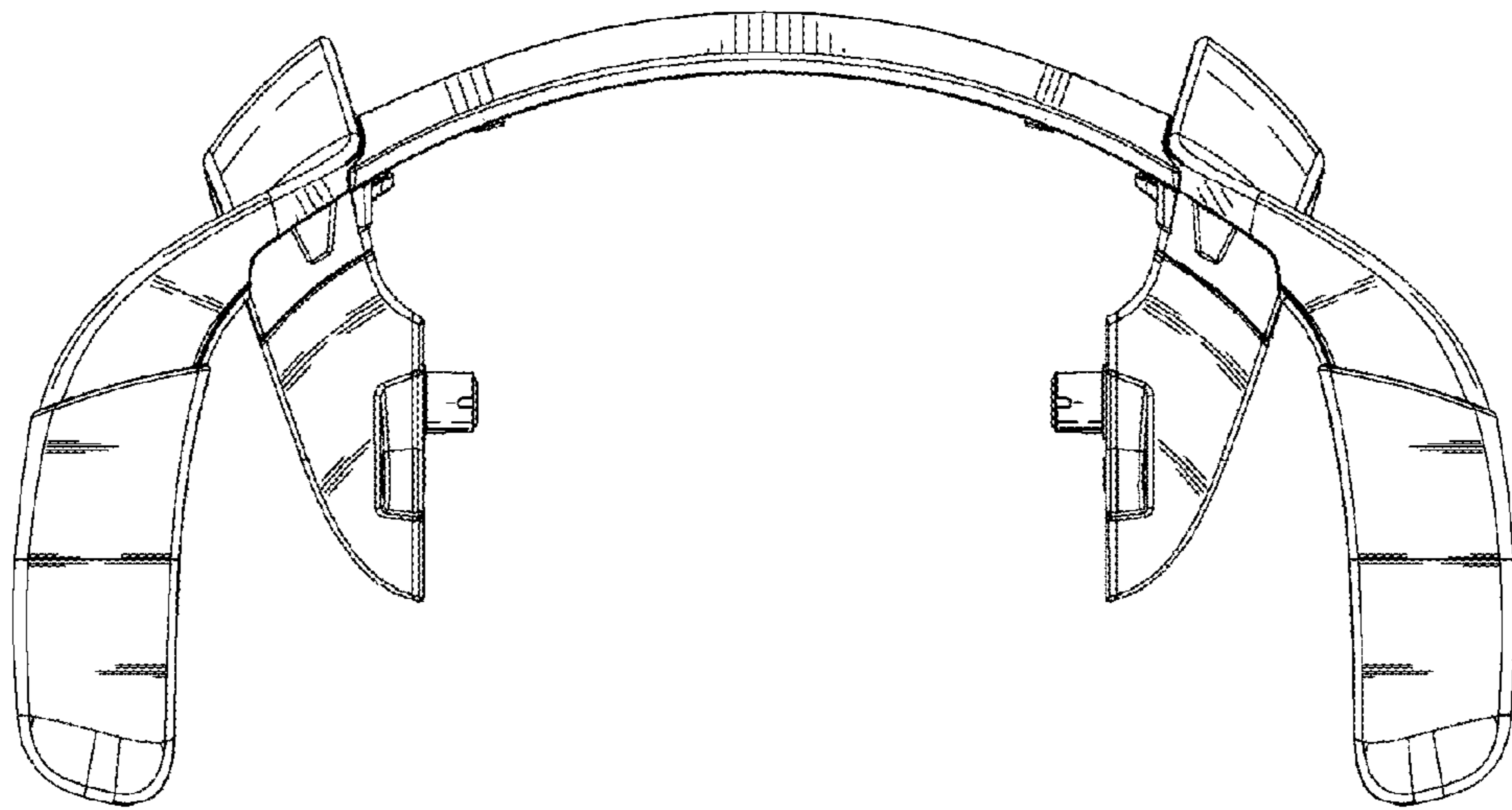


FIG. 7

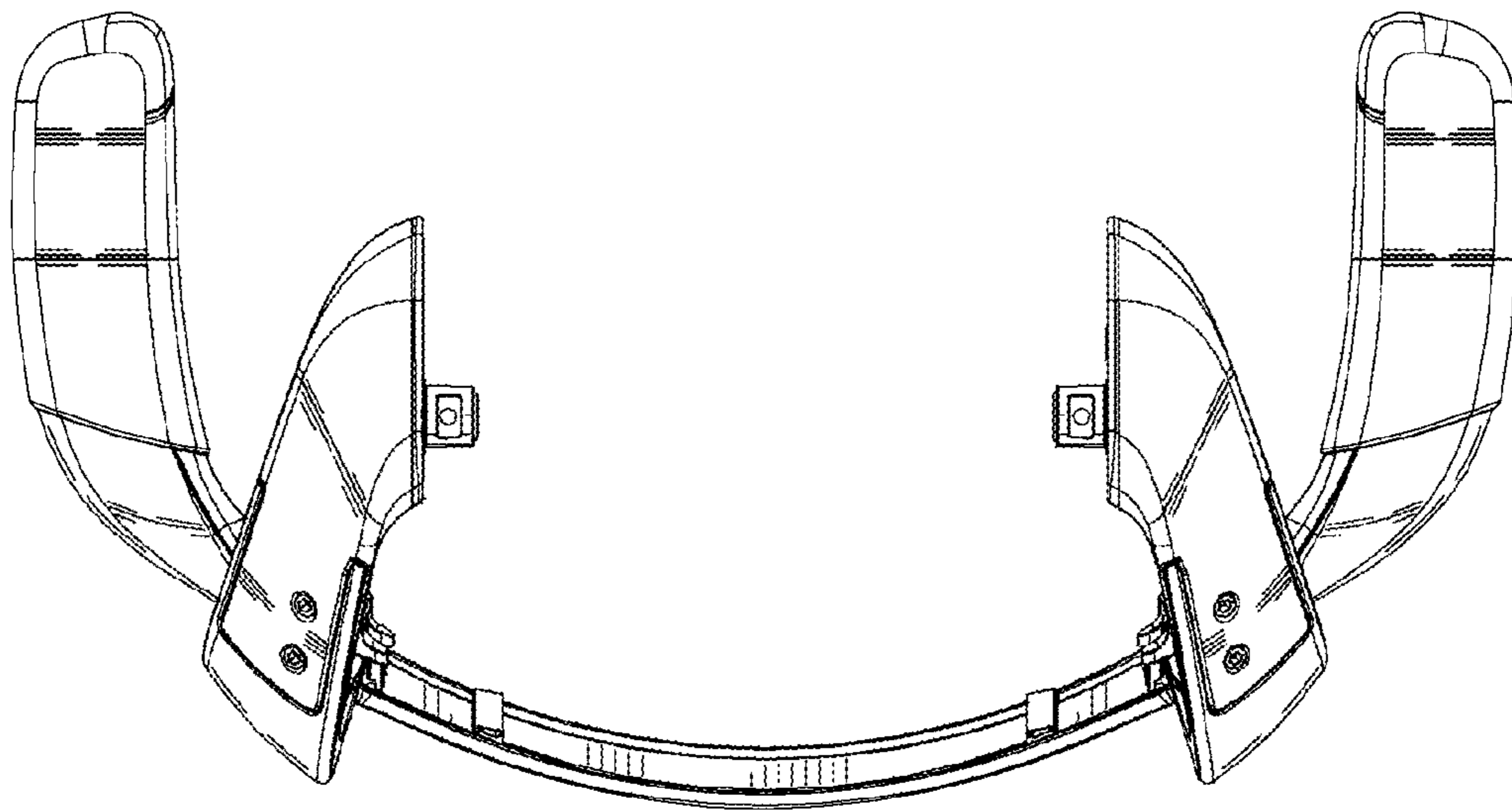




FIG. 8

