



US00D773870S

(12) **United States Design Patent** (10) **Patent No.:** **US D773,870 S**  
**Scherzer et al.** (45) **Date of Patent:** **\*\* Dec. 13, 2016**

(54) **SHELF EDGE**

(71) Applicant: **Whirlpool Corporation**, Benton Harbor, MI (US)

(72) Inventors: **Michael J. Scherzer**, Stevensville, MI (US); **Eric Lee**, Schenzhen (CN)

(73) Assignee: **Whirlpool Corporation**, Benton Harbor, MI (US)

(\*\*) Term: **14 Years**

(21) Appl. No.: **29/486,730**

(22) Filed: **Apr. 2, 2014**

(51) **LOC (10) Cl.** ..... **06-04**

(52) **U.S. Cl.**  
USPC ..... **D6/705**

(58) **Field of Classification Search**  
USPC ..... D5/63, 56-61; D19/5-6; D25/110, 153, D25/157; D6/572-574, 672, 705-706, D6/988.15, 677.2, 718.25; D8/325; 211/88.01, 90.01, 187, 133.4; 403/402  
(Continued)

(56) **References Cited**

**U.S. PATENT DOCUMENTS**

D398,835 S \* 9/1998 Coll ..... D8/354  
6,930,886 B2 \* 8/2005 Velez ..... H05K 7/1489  
211/187

(Continued)

*Primary Examiner* — Rosemary K Tarca

*Assistant Examiner* — James Thorn, Sr.

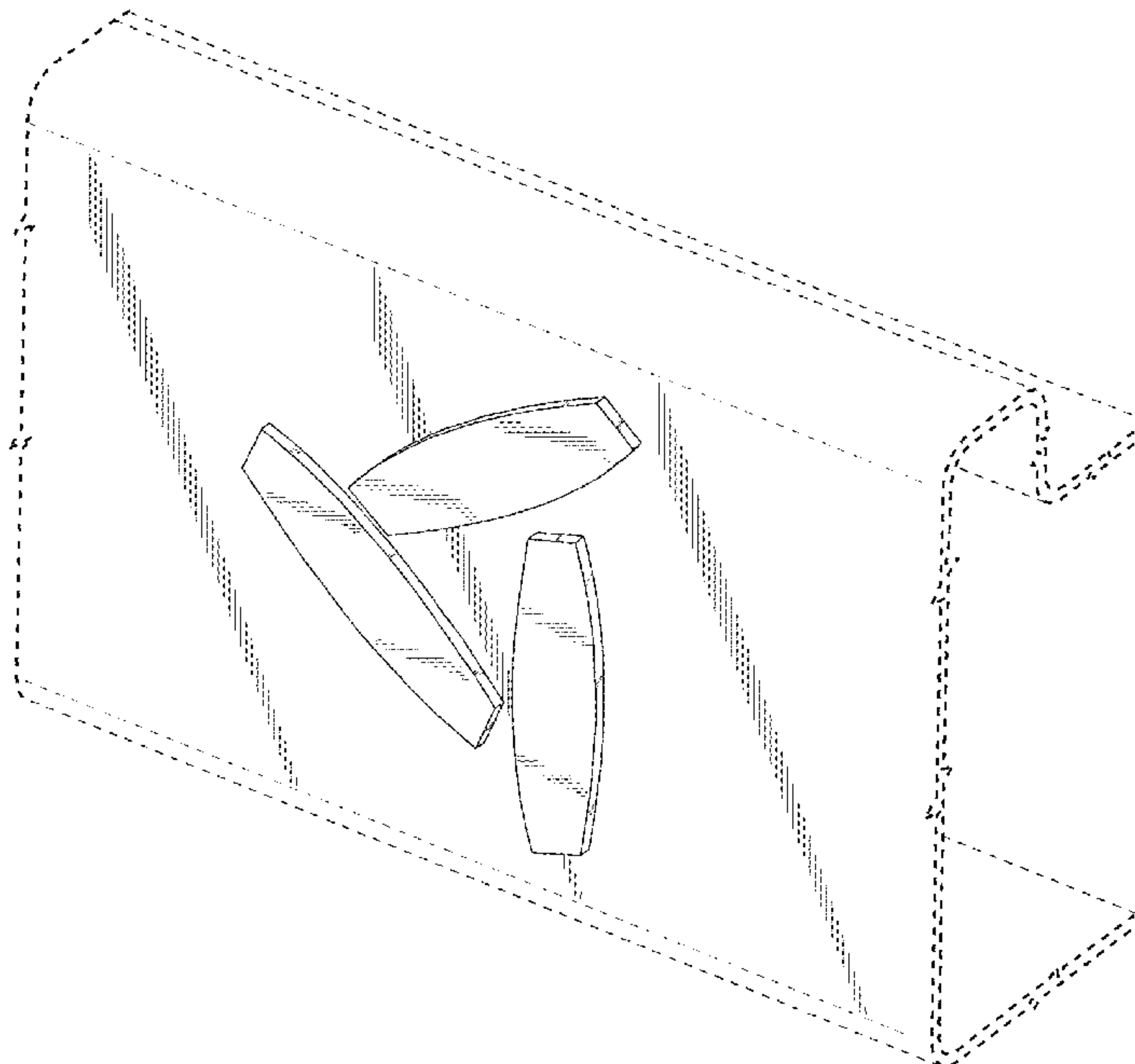
(57) **CLAIM**

The ornamental design for a shelf edge, as shown and described.

**DESCRIPTION**

FIG. 1 is an isometric view of a shelf edge according to a first embodiment of the invention, which is illustrated in an exemplary environment of a shelf unit;  
FIG. 2 is an enlarged perspective view of the shelf edge from FIG. 1;  
FIG. 3 is a front view of the shelf edge from FIG. 2;  
FIG. 4 is a right side view of the shelf edge from FIG. 2;  
FIG. 5 is a left side view of the shelf edge from FIG. 2;  
FIG. 6 is a top view of the shelf edge from FIG. 2;  
FIG. 7 is a bottom view of the shelf edge from FIG. 2;  
FIG. 8 is an isometric view of a shelf edge according to a second embodiment of the invention, which is illustrated in an exemplary environment of a shelf unit;  
FIG. 9 is an enlarged perspective view of the shelf edge from FIG. 8;  
FIG. 10 is a front view of the shelf edge from FIG. 9;  
FIG. 11 is an enlarged right side view of the shelf edge from FIG. 9;  
FIG. 12 is an enlarged left side view of the shelf edge from FIG. 9;  
FIG. 13 is a top view of the shelf edge from FIG. 9; and, FIG. 14 is a bottom view of the shelf edge from FIG. 9.  
The broken lines in FIGS. 1-14 are included for illustrating environment and form no part of the claimed design. The break lines on the edges of FIGS. 1-7 represent the boundaries of the claim, and form no part of the claimed design. Diagonal lines on the edges of the shelf edge in FIGS. 1-3 and 6-7 are used to indicate cut-away portions and are not shading or design features.

**1 Claim, 8 Drawing Sheets**



(58) **Field of Classification Search**

CPC ..... A47B 57/34; A47B 96/02; A47B 96/021;  
A47B 96/16; A47B 96/028; A47B  
2095/046; B31F 1/20; B44F 11/04  
See application file for complete search history.

(56) **References Cited**

U.S. PATENT DOCUMENTS

D521,852	S	*	5/2006	Hall	.....	D8/354
D554,912	S	*	11/2007	Sciicluna	.....	D6/672
D556,976	S	*	12/2007	Liautaud	.....	D17/21
D567,635	S	*	4/2008	Nankervis	.....	D8/354
D568,648	S	*	5/2008	Roussel	.....	D6/705.1
D569,143	S	*	5/2008	Liss	.....	D6/705
D571,133	S	*	6/2008	Liss	.....	D6/705
D571,589	S	*	6/2008	Liss	.....	D6/705
D572,053	S	*	7/2008	Liss	.....	D6/712
D572,054	S	*	7/2008	Liss	.....	D6/712
D585,680	S	*	2/2009	Liss	.....	D6/705
D585,681	S	*	2/2009	Liss	.....	D6/705
D619,879	S	*	7/2010	McCarthy	.....	D8/354
D735,555	S	*	8/2015	Tajdus	.....	D8/354
D741,689	S	*	10/2015	Metzler	.....	D8/349
D752,954	S	*	4/2016	Lax	.....	D8/354
2014/0270979	A1	*	9/2014	Cusson	.....	E02D 5/04 405/229
2016/0007739	A1	*	1/2016	Shinozaki	.....	A47B 57/545 211/187
2016/0130797	A1	*	5/2016	Bruce	.....	E04B 7/18 52/698

\* cited by examiner

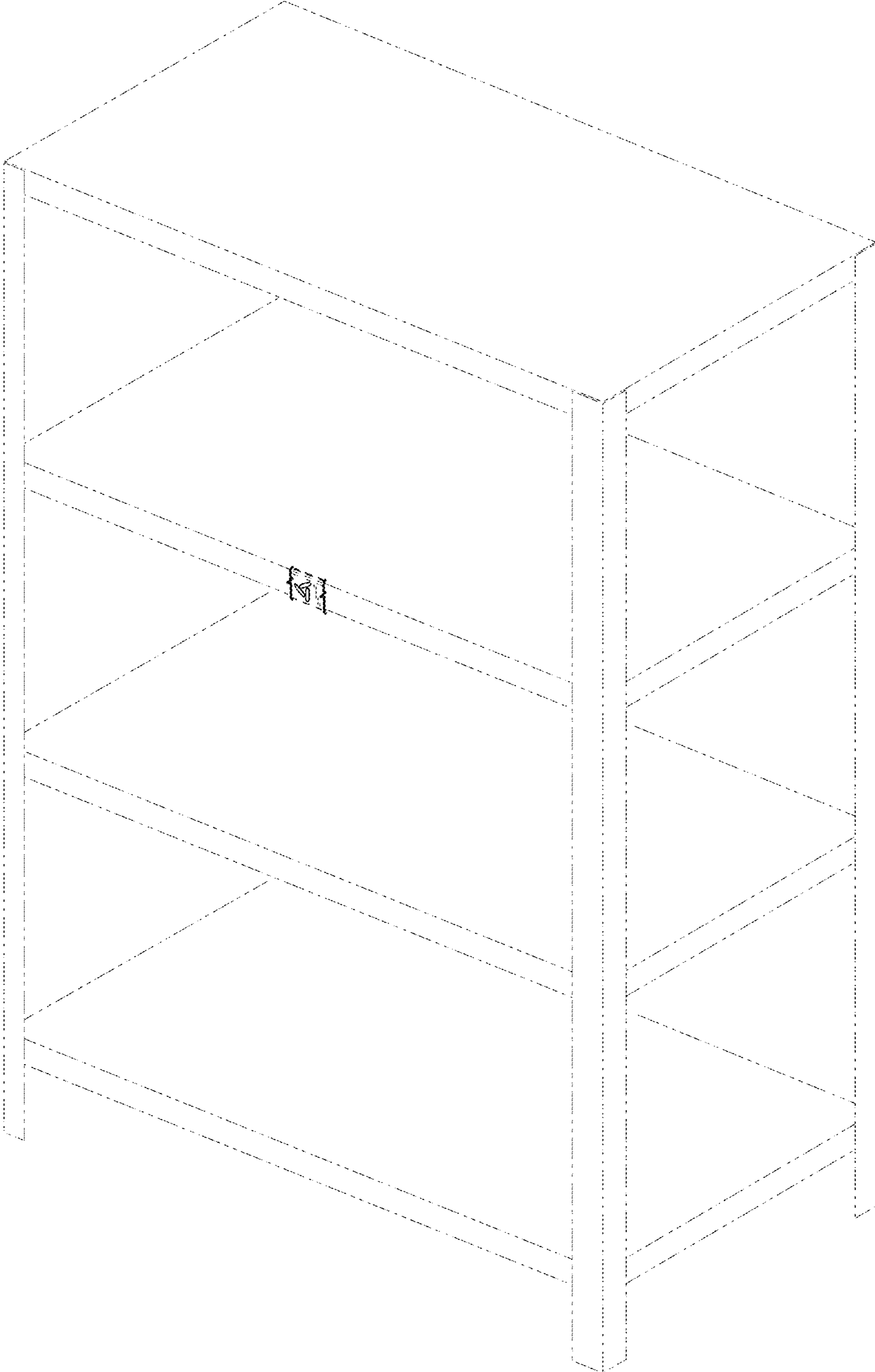
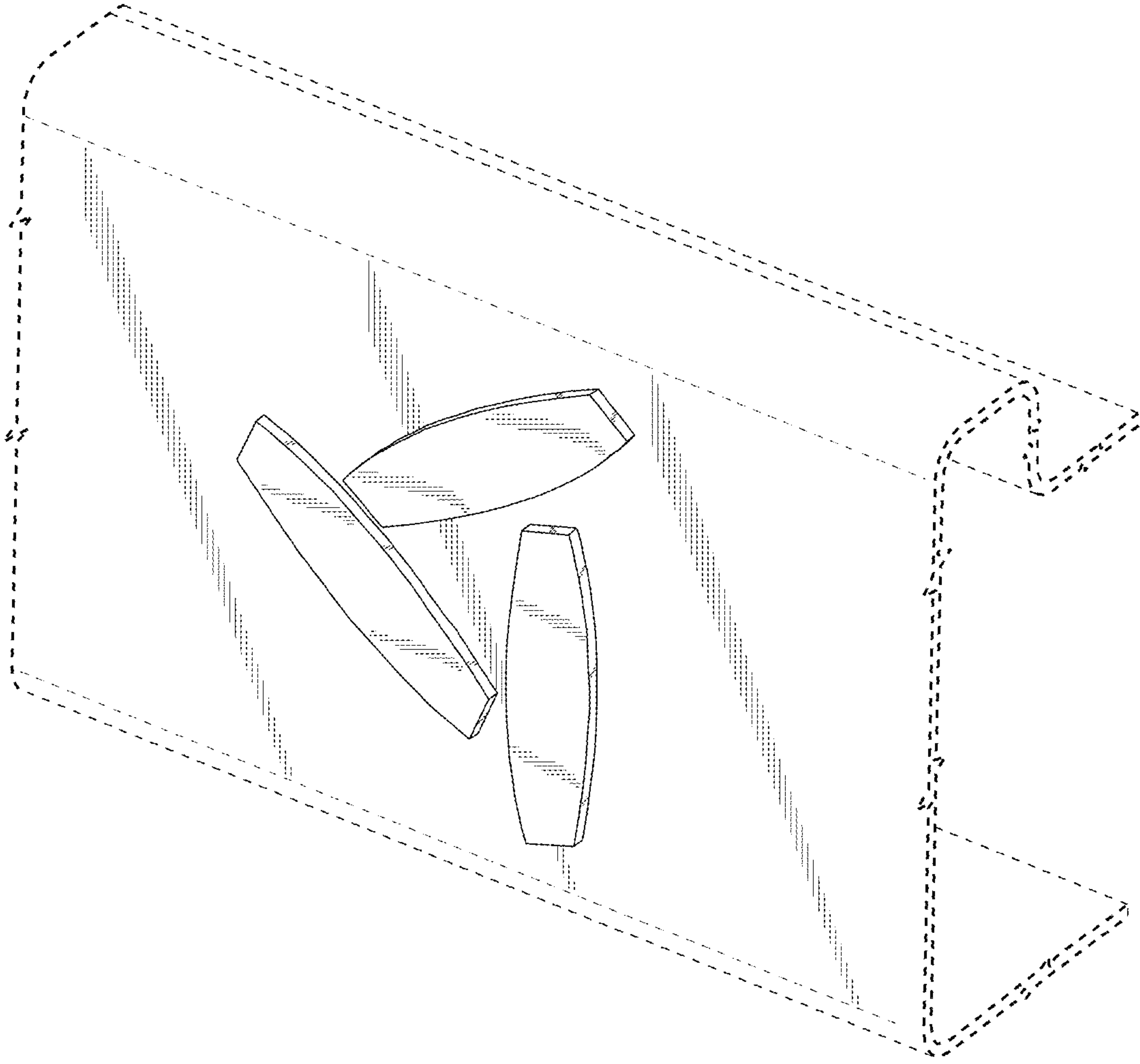
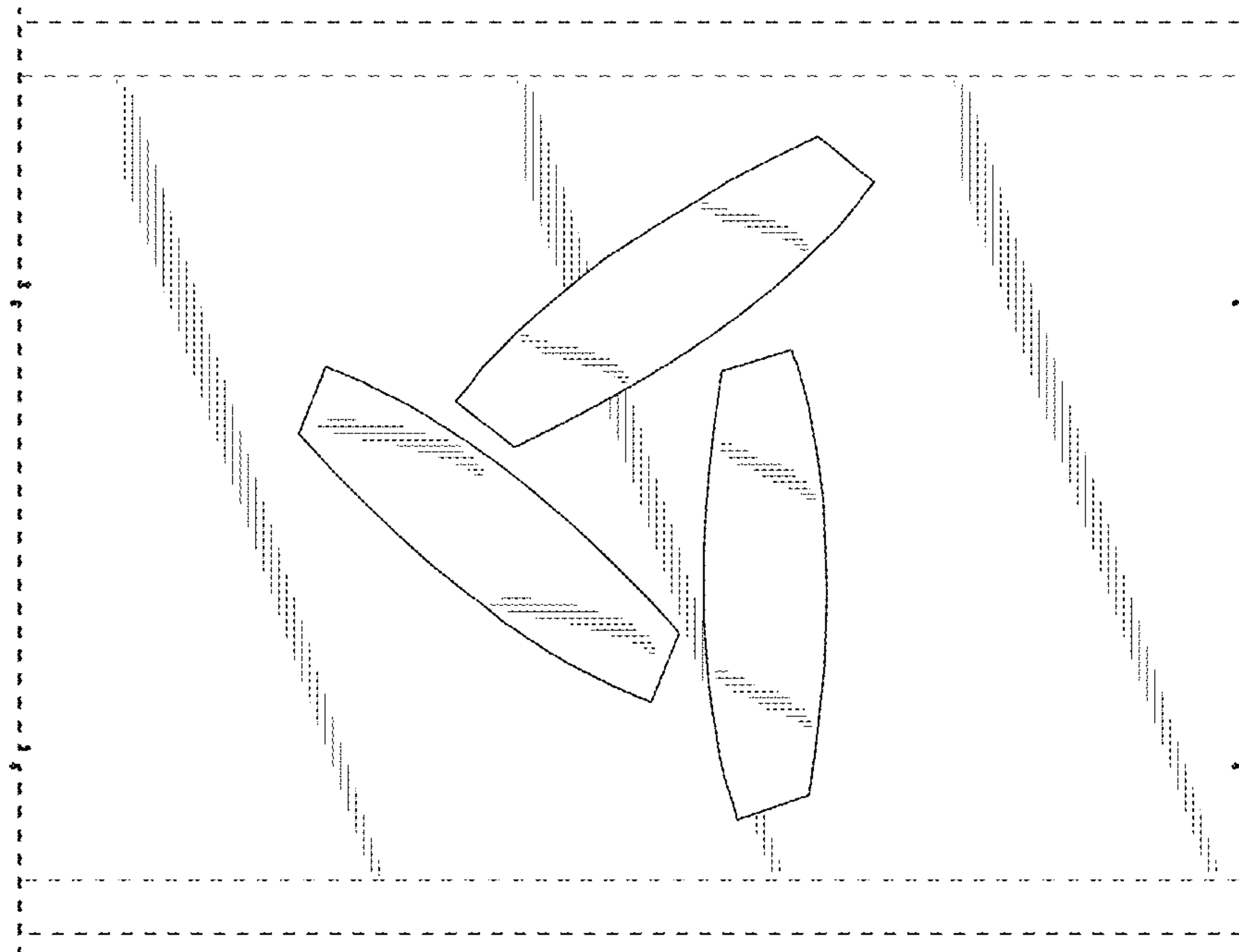


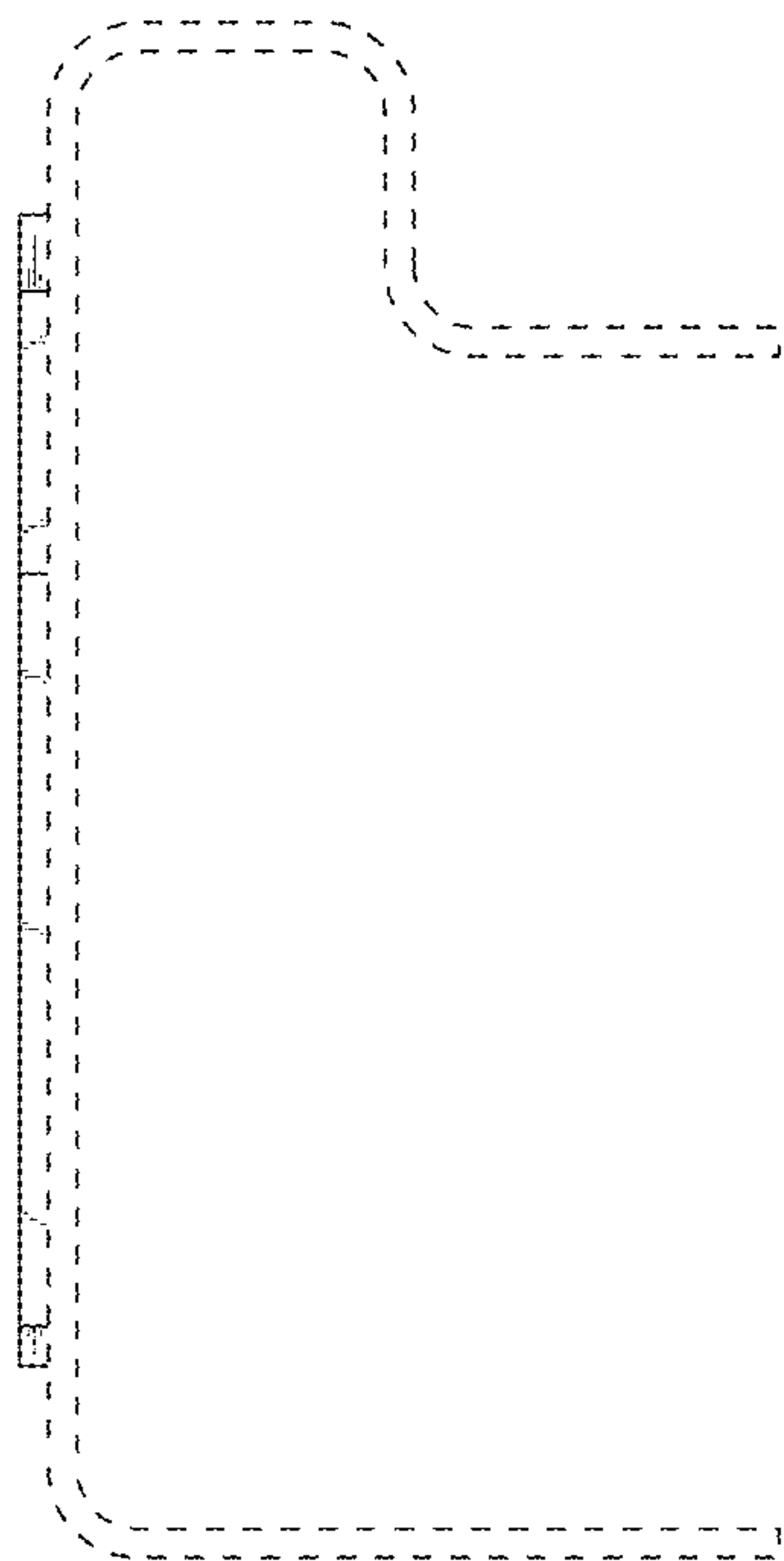
FIG. 1



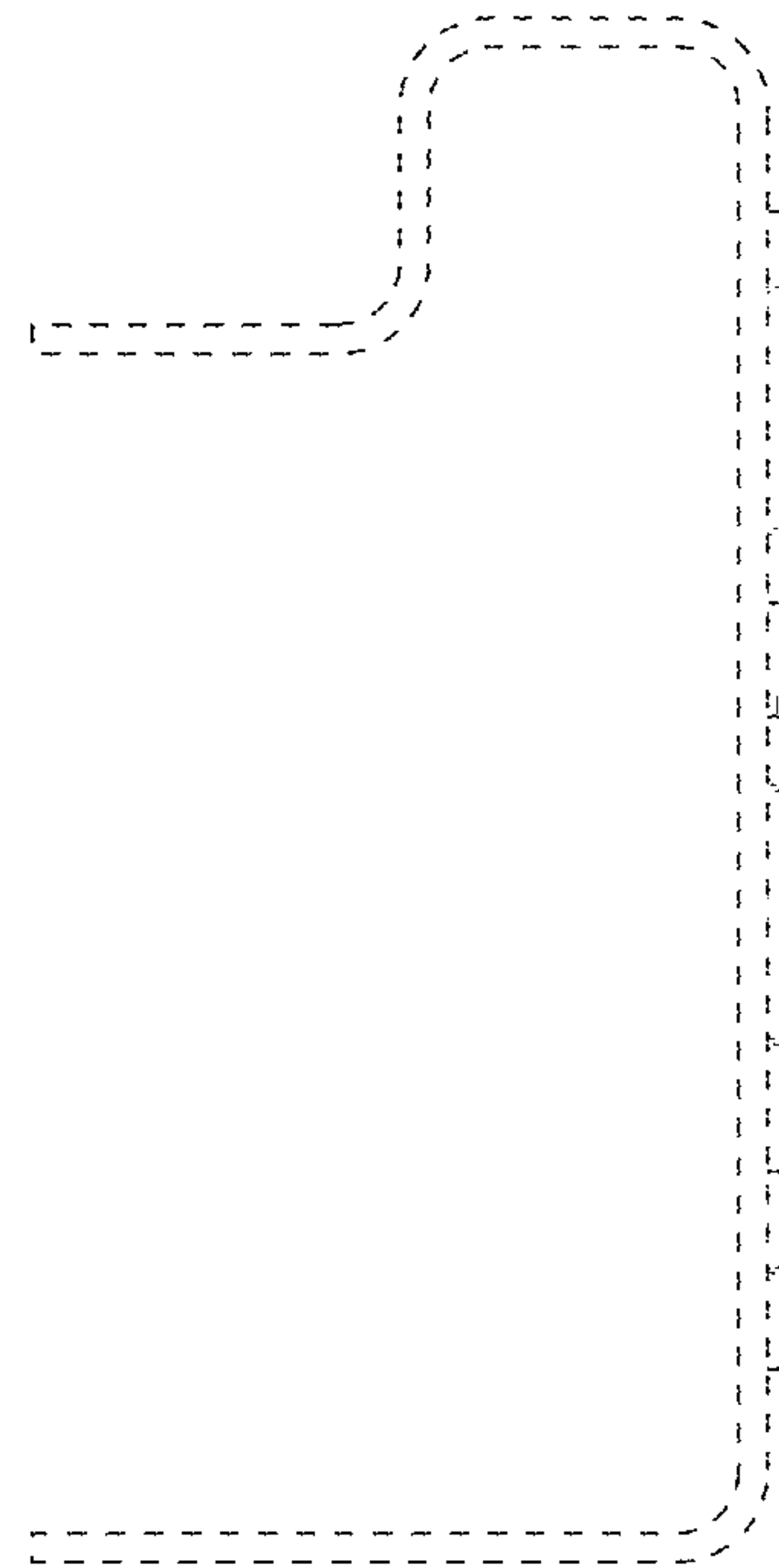
**FIG. 2**



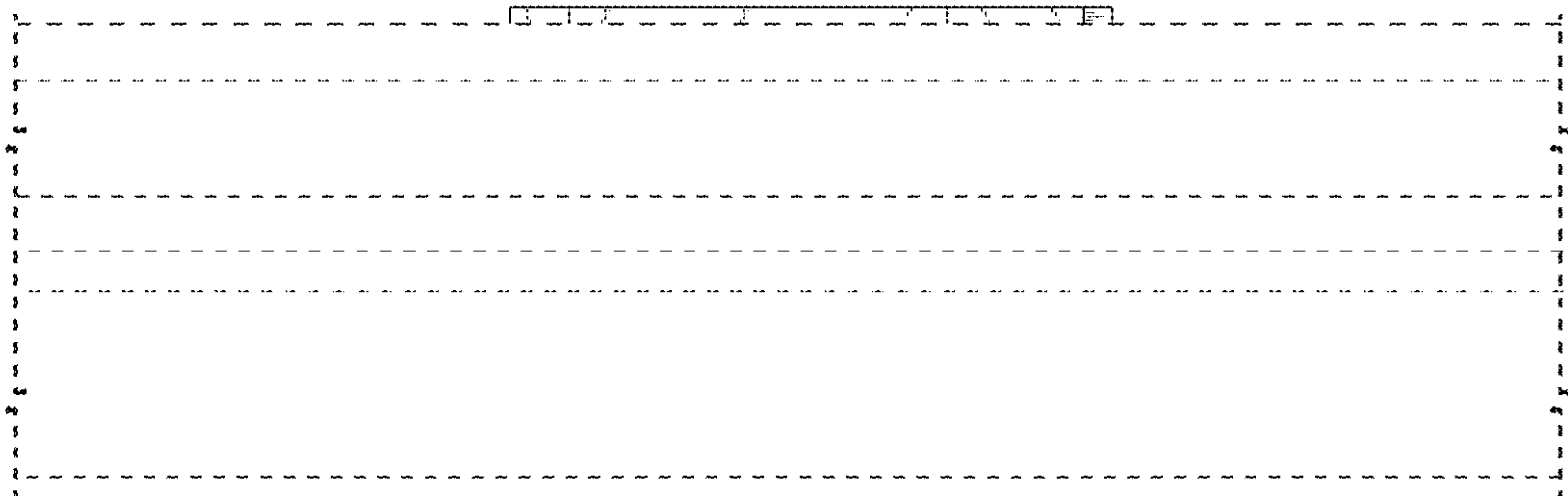
**FIG. 3**



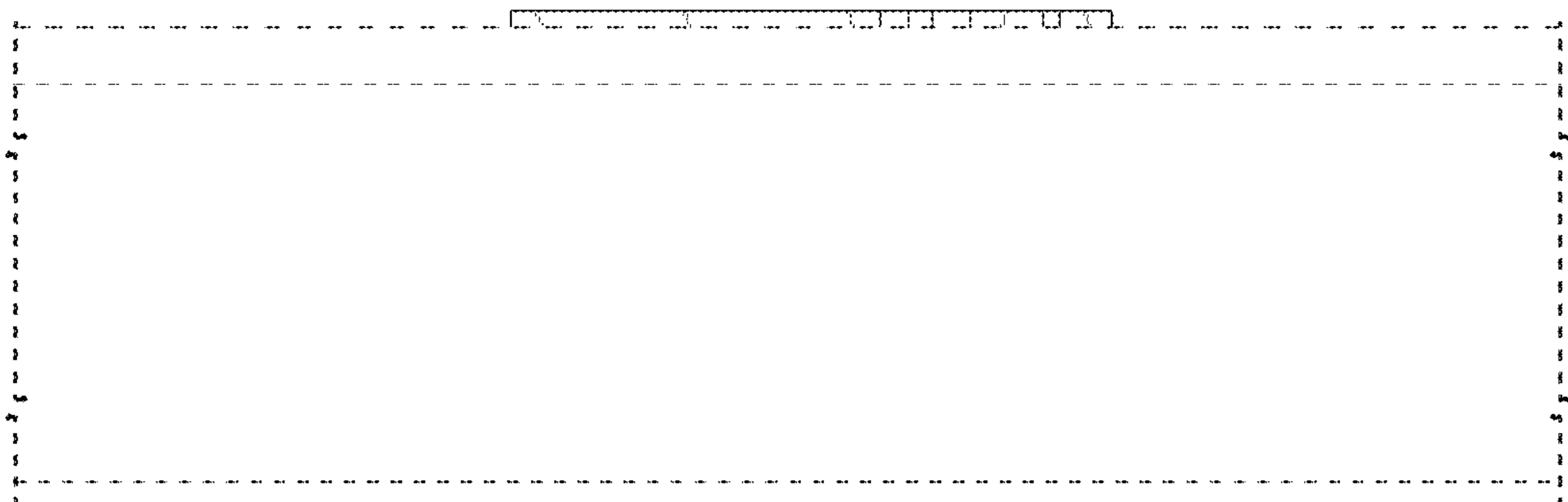
**FIG. 4**



**FIG. 5**



**FIG. 6**



**FIG. 7**



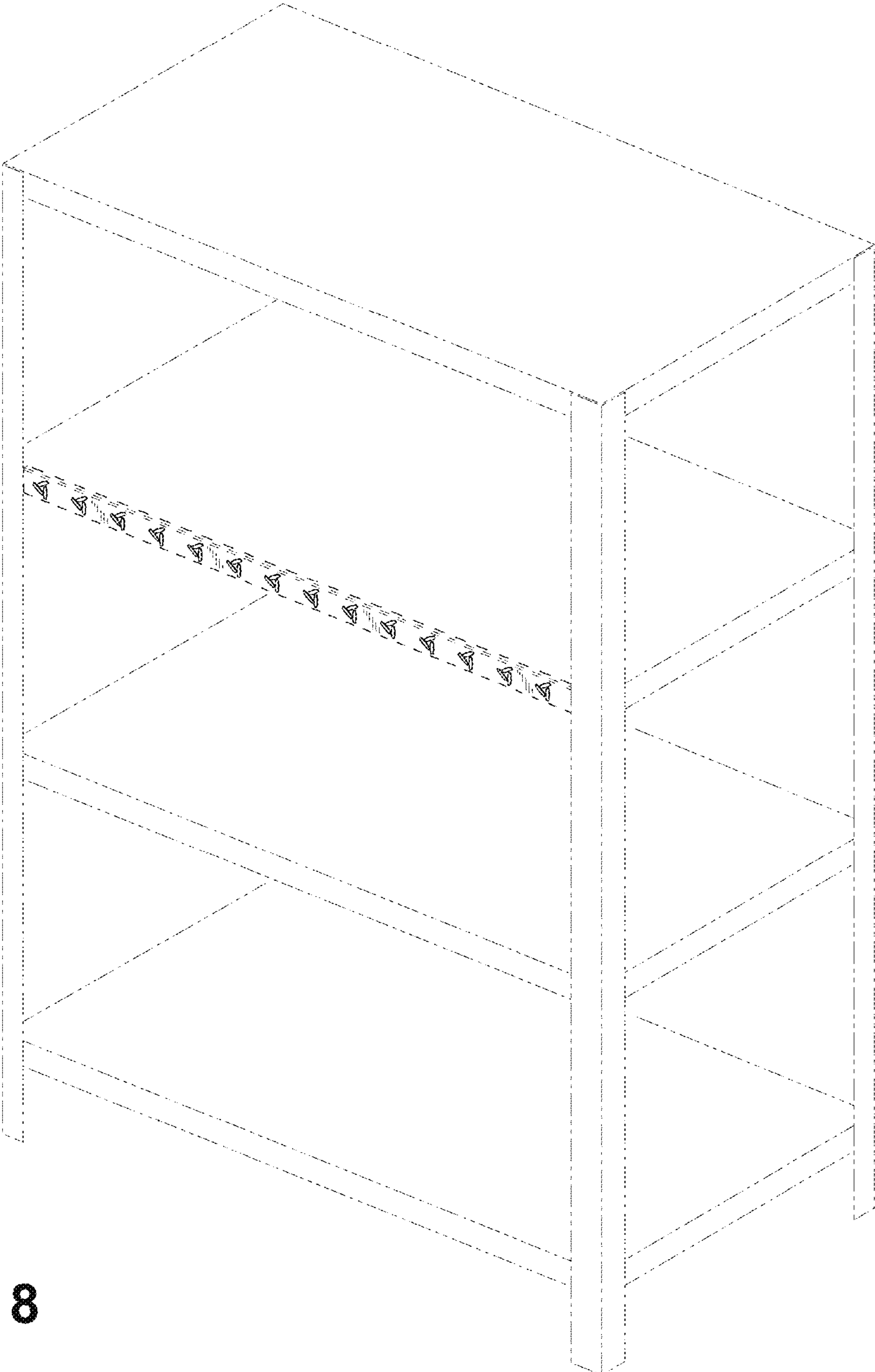


FIG. 8

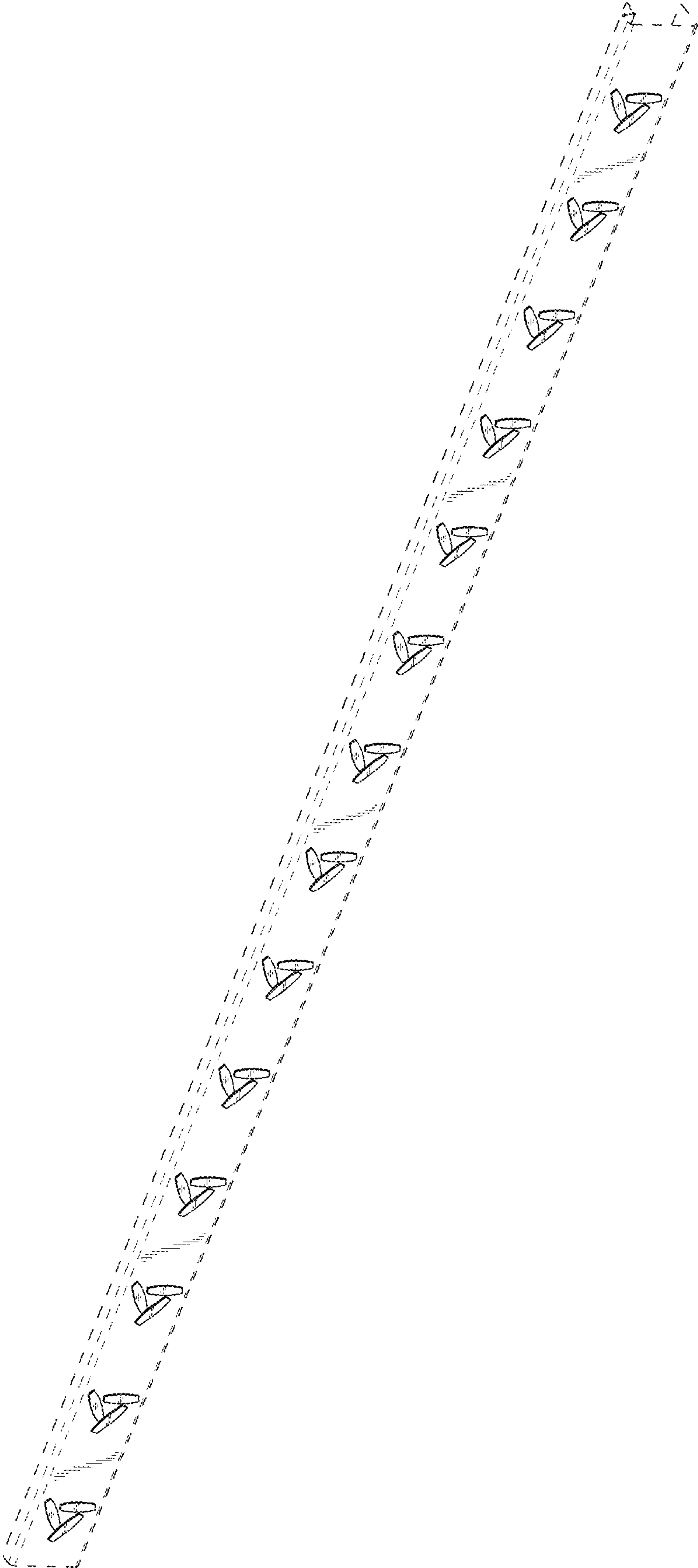


FIG. 9



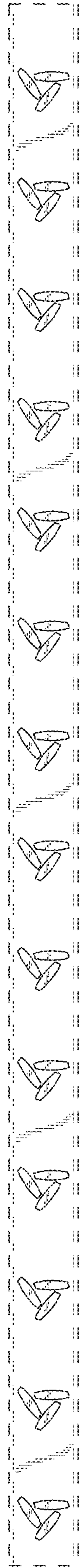


FIG. 10

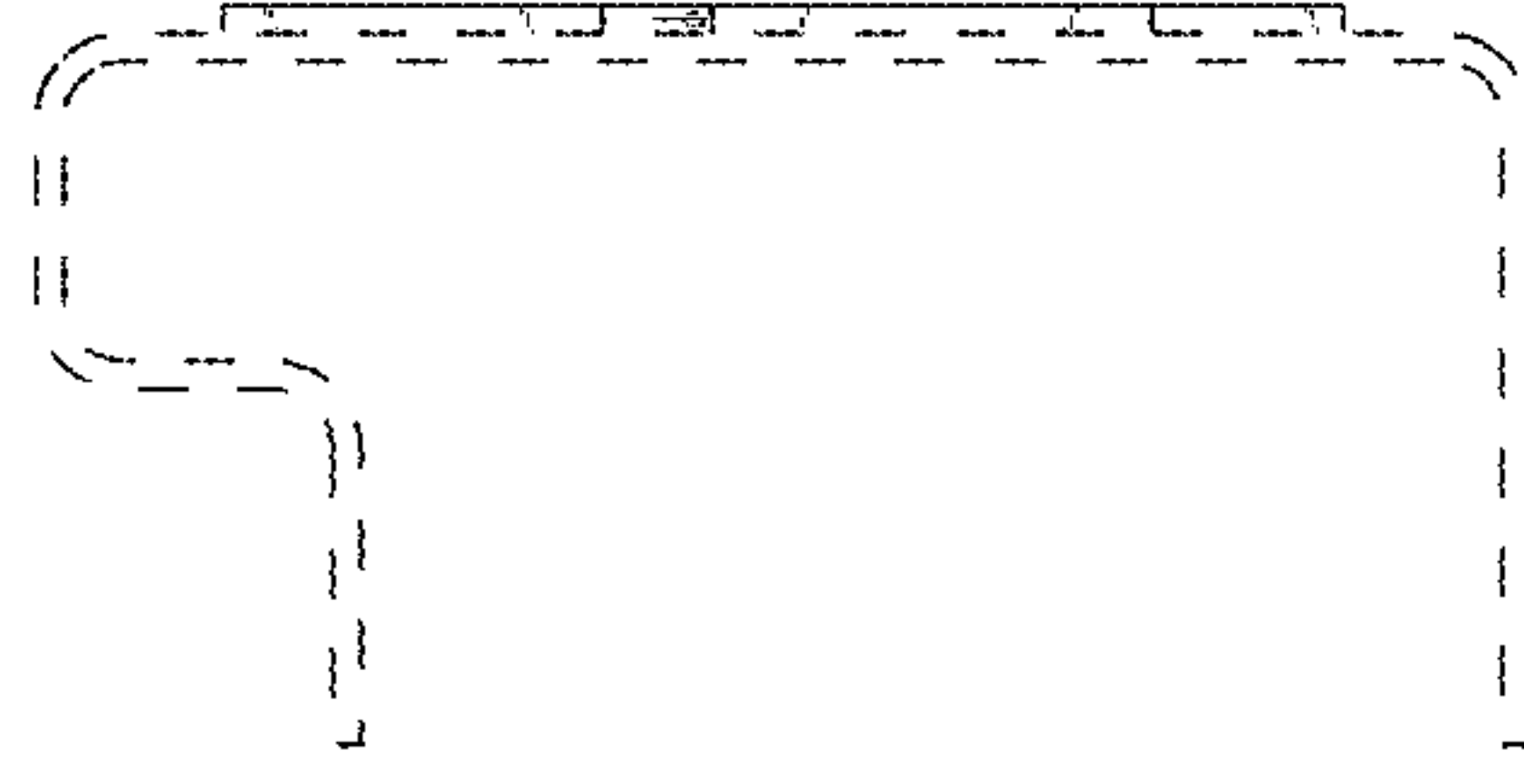


FIG. 11

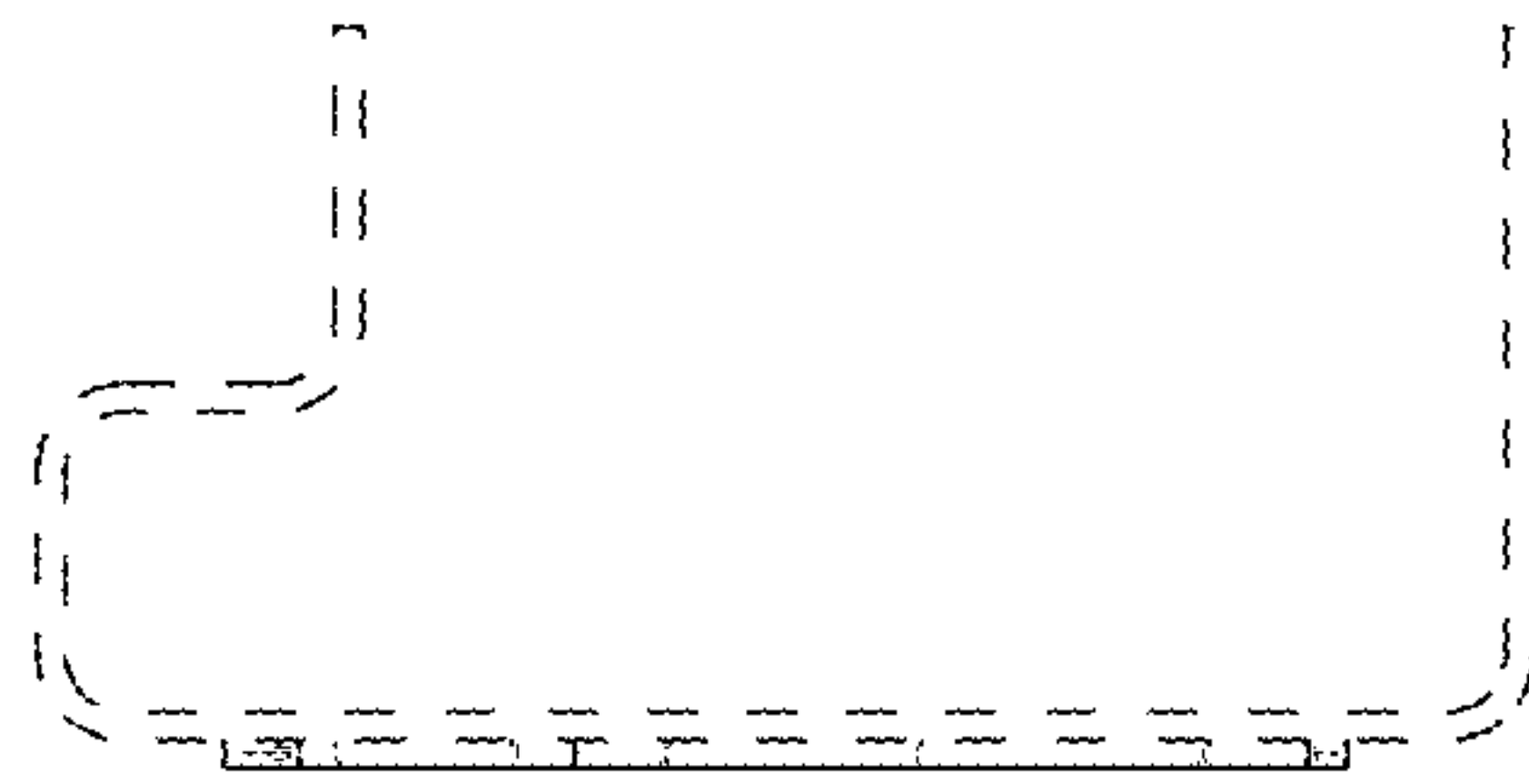


FIG. 12



**FIG. 13**



**FIG. 14**