



US00D773869S

(12) **United States Design Patent** (10) **Patent No.:** **US D773,869 S**
Hernandez et al. (45) **Date of Patent:** **** Dec. 13, 2016**

(54) **DRAWER WITH ADJUSTABLE SHELF**

(75) Inventors: **Francisco Hernandez**, Cerritos, CA (US); **Laura Ringemann**, Aliso Viejo, CA (US)

(73) Assignee: **BSH Home Appliances Corporation**, Irvine, CA (US)

(**) Term: **14 Years**

(21) Appl. No.: **29/430,798**

(22) Filed: **Aug. 30, 2012**

(51) **LOC (10) Cl.** **06-06**

(52) **U.S. Cl.**
USPC **D6/705; D6/706**

(58) **Field of Classification Search**
USPC D6/706, 707, 705.6, 705, D6/705.4, 705.5, 705.7, 705.2, 663; D7/354; D9/433; 312/348.3, 348.4, 330.1, D9/334.1, 334.4, 312/334.5, 334.7, 352; 220/529, 532, 533; 340/570; 211/184; D3/319

CPC B65D 25/06; B23P 11/00; A47B 88/00; A47B 88/20; F25D 25/025; F25D 23/069; F25D 2331/803; F25D 2325/021

See application file for complete search history.

(56) **References Cited**

U.S. PATENT DOCUMENTS

D4,031 S *	5/1870	Evarts	D6/491
D4,631 S *	2/1871	Kellogg, Jr.	D6/491
972,449 A *	10/1910	Heller	220/682
1,052,516 A *	2/1913	Ringer	108/109
3,440,784 A *	4/1969	Onjukka	52/233
4,982,857 A *	1/1991	Sher	220/4.03
5,242,223 A *	9/1993	Koves	312/348.3
5,738,425 A *	4/1998	Rosenberg et al.	312/348.3
D427,526 S *	7/2000	Correll	D9/433
D473,080 S *	4/2003	Kellogg	D6/491

(Continued)

OTHER PUBLICATIONS

Dream Shop Woodworks, available Oct. 13, 2010, [online], [site visited Mar. 26, 2015]. Available from internet, <URL: http://dreamshopwoodworks.com/little_dresser.htm.*

(Continued)

Primary Examiner — Cathron Brooks

Assistant Examiner — Teddy Falloway

(74) *Attorney, Agent, or Firm* — Michael E. Tschupp; Andre Pallapies

(57) **CLAIM**

The ornamental design for a drawer with adjustable shelf, as shown and described.

DESCRIPTION

FIG. 1 is a perspective view of a drawer with adjustable shelf according to our new ornamental design, with the shelf on a horizontal orientation;

FIG. 2 is a cross section along lines 2-2 of FIG. 1;

FIG. 3 is another perspective view of the drawer with adjustable shelf shown in FIG. 1, but with the shelf in a vertical orientation;

FIG. 4 is a cross section taken along lines 4-4 of FIG. 3;

FIG. 5 is a perspective view of the shelf, shown separately for completeness of illustration;

FIG. 6 is a top view thereof, with the bottom view being a mirror image thereof;

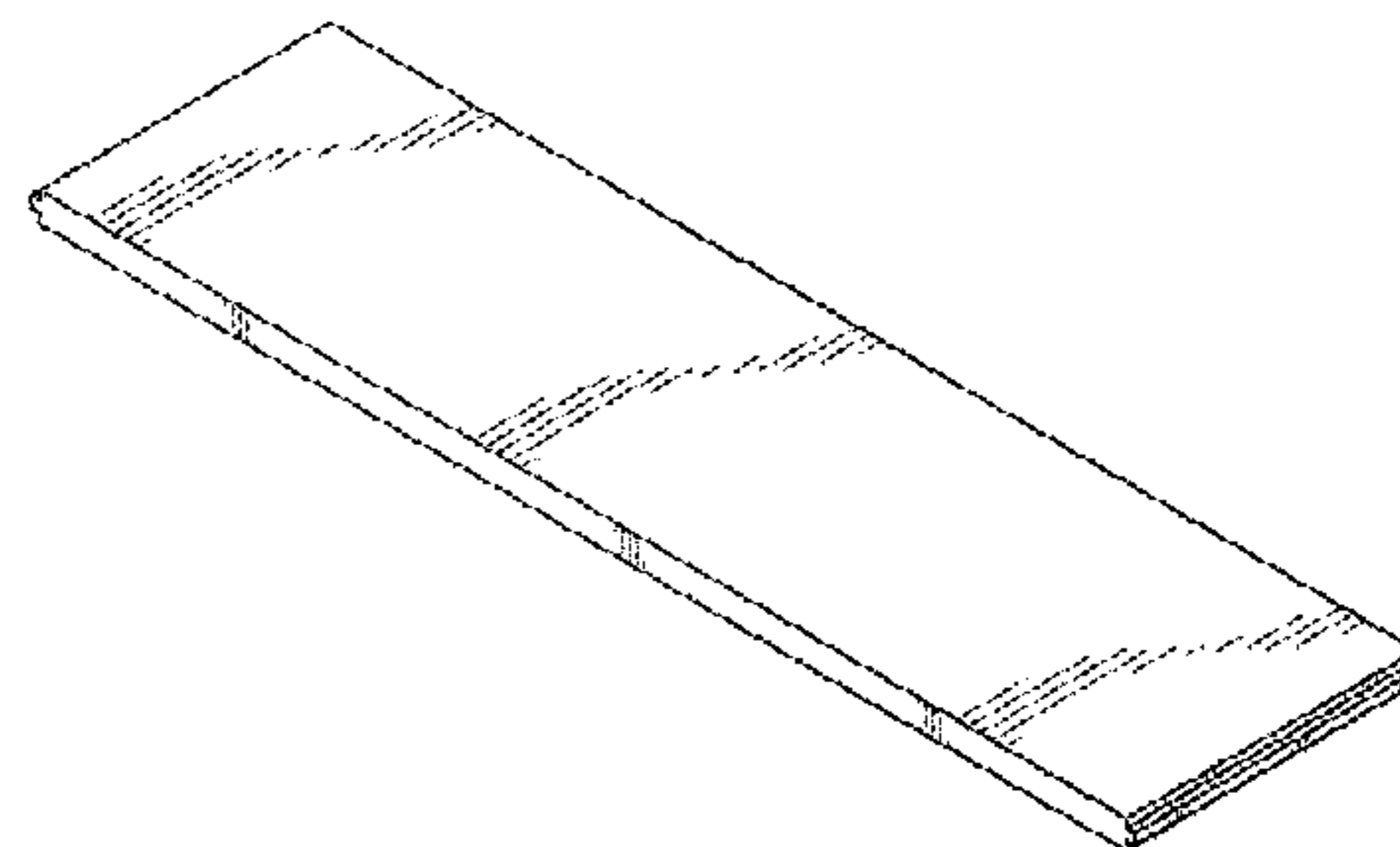
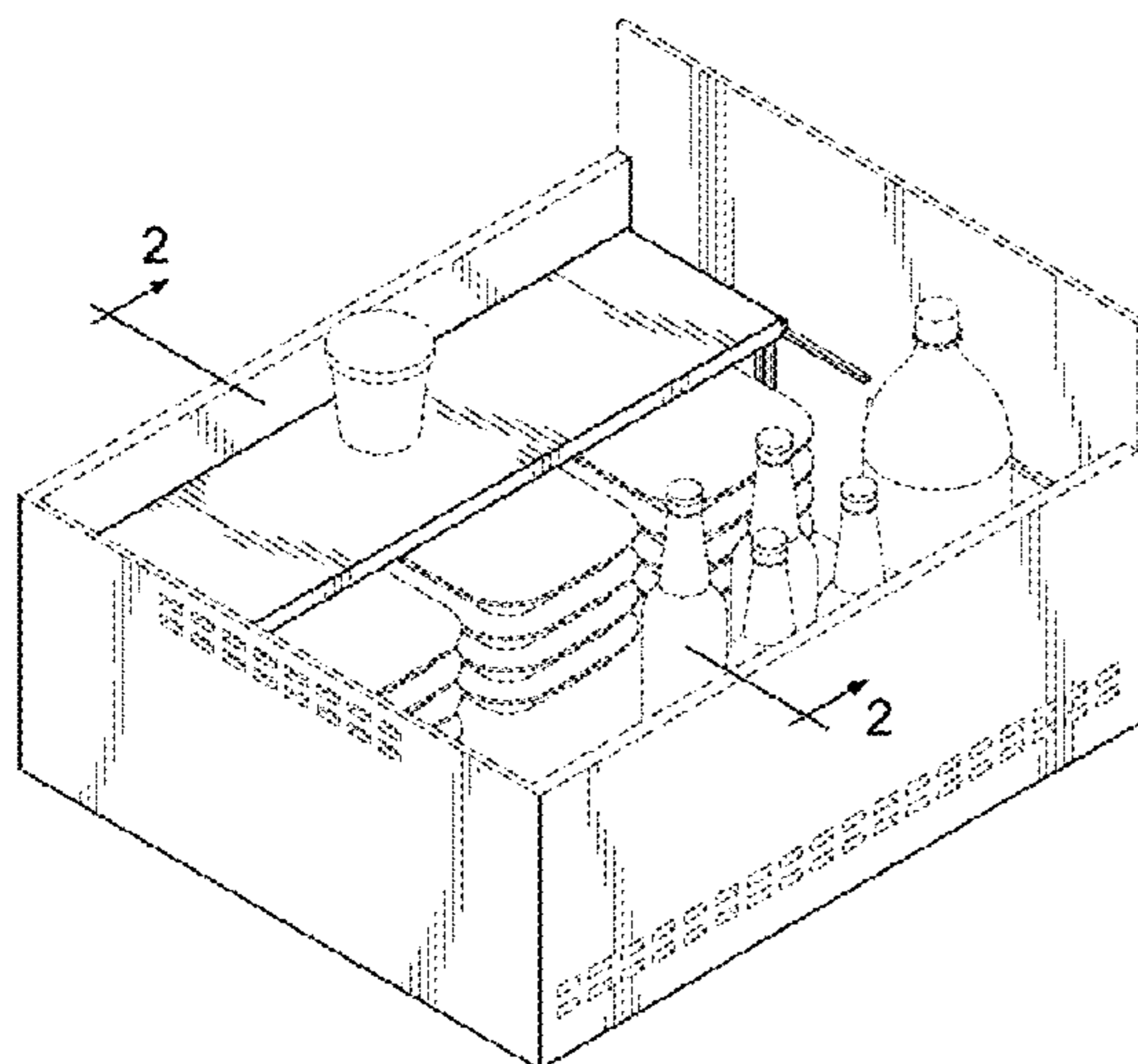
FIG. 7 is a front view thereof, with the rear view being a mirror image thereof; and,

FIG. 8 is a left side view thereof; with the right side view being a mirror image thereof.

The bottom of the drawer is unornamented and forms no part of the claimed design.

The broken lines immediately adjacent to the shaded areas represent the bounds of the claimed design while all other broken lines shown in the drawings illustrate environmental structure; the broken lines form no part of the claimed design.

1 Claim, 3 Drawing Sheets



(56)

References Cited

U.S. PATENT DOCUMENTS

D507,915 S * 8/2005 Nagel D6/511
 6,991,307 B2 * 1/2006 Hoenig 312/348.3
 D521,777 S * 5/2006 Gusdorf et al. D6/511
 D523,667 S * 6/2006 Bisson D6/705
 D568,645 S * 5/2008 Gore et al. D6/509
 7,380,894 B2 * 6/2008 Berger 312/348.3
 D587,939 S * 3/2009 Schloss D6/491
 D596,431 S * 7/2009 Berger D6/706
 D606,782 S * 12/2009 Goldberg D6/511
 D606,783 S * 12/2009 Goldberg D6/511
 D606,784 S * 12/2009 Goldberg D6/511
 D606,785 S * 12/2009 Goldberg D6/511
 D606,786 S * 12/2009 Goldberg D6/511
 D606,787 S * 12/2009 Goldberg D6/511
 D606,788 S * 12/2009 Goldberg D6/511
 D611,279 S * 3/2010 Goldberg D6/511
 D611,280 S * 3/2010 Goldberg D6/511
 D619,393 S * 7/2010 Golias et al. D6/511
 D639,599 S * 6/2011 Stewart et al. D7/354
 D654,734 S * 2/2012 Snider D6/705.6
 D661,519 S * 6/2012 James et al. D6/492
 D684,402 S * 6/2013 Gasser D6/705
 D686,016 S * 7/2013 Gasser D6/705
 D686,017 S * 7/2013 Gasser D6/705
 D686,018 S * 7/2013 Etherington et al. D7/600.1
 8,807,355 B2 * 8/2014 Merrey 211/175

D712,153 S * 9/2014 Lee D3/319
 8,893,915 B2 * 11/2014 Vargas 220/549
 9,182,168 B2 * 11/2015 Hernandez F25D 25/025
 2003/0052582 A1 * 3/2003 Searer et al. 312/348.3
 2003/0137227 A1 * 7/2003 Hoenig 312/348.3
 2003/0184199 A1 * 10/2003 Jananji 312/348.3
 2004/0004420 A1 * 1/2004 Pine et al. 312/348.3
 2004/0145287 A1 * 7/2004 Ernst 312/348.3
 2004/0245254 A1 * 12/2004 Rosenberg et al. 220/507
 2006/0124647 A1 * 6/2006 Rosenberg et al. 220/500
 2008/0128428 A1 * 6/2008 Beckerman 220/532
 2010/0253194 A1 * 10/2010 Wang 312/334.1
 2011/0163647 A1 * 7/2011 Hartl 312/334.7
 2011/0284131 A1 * 11/2011 Trudel 144/357
 2012/0262043 A1 * 10/2012 Lechert, Jr. 312/348.3
 2012/0319550 A1 * 12/2012 Manniso et al. 312/348.3
 2013/0307394 A1 * 11/2013 Dondurur et al. 312/348.3
 2014/0061201 A1 * 3/2014 Hernandez et al. 220/529
 2014/0265802 A1 * 9/2014 Wilcox et al. 312/404

OTHER PUBLICATIONS

Fine Wood Working, available Apr. 16, 2009, [online], [site visited Mar. 26, 2015]. Available from internet, <URL: <http://www.finewoodworking.com/item/12058/breadboard-joinery-for-the-table-top>>.*

* cited by examiner

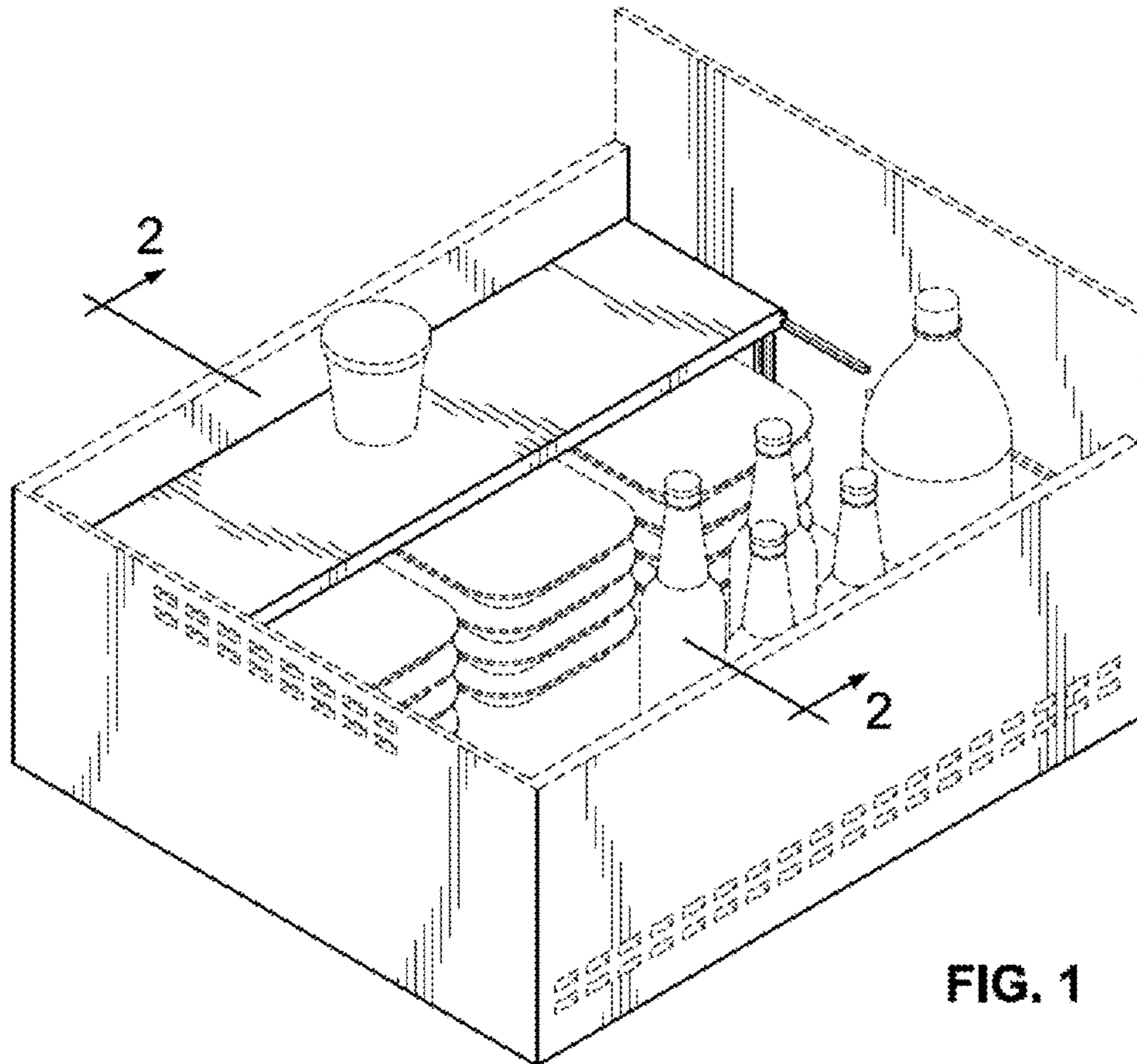


FIG. 1

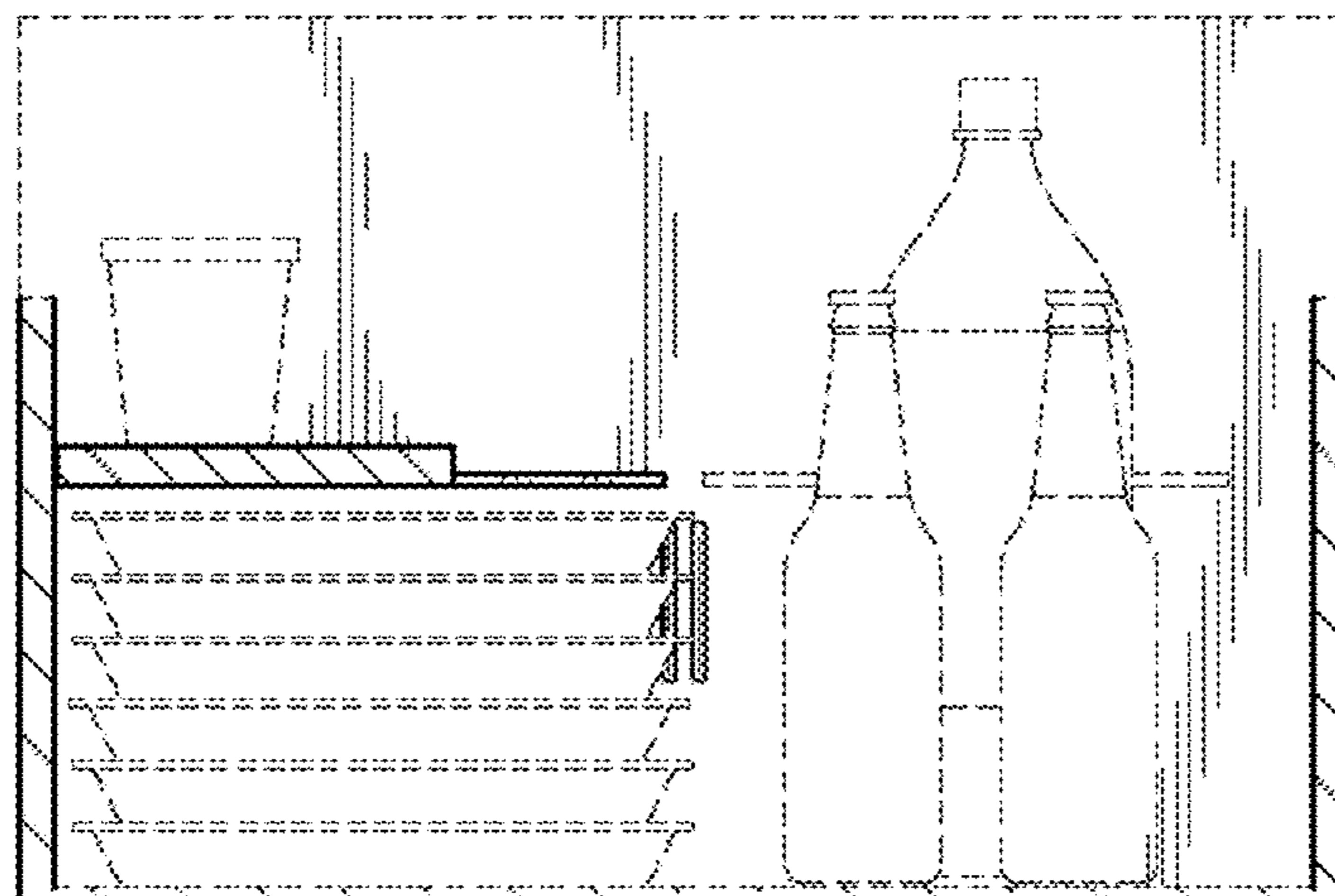


FIG. 2

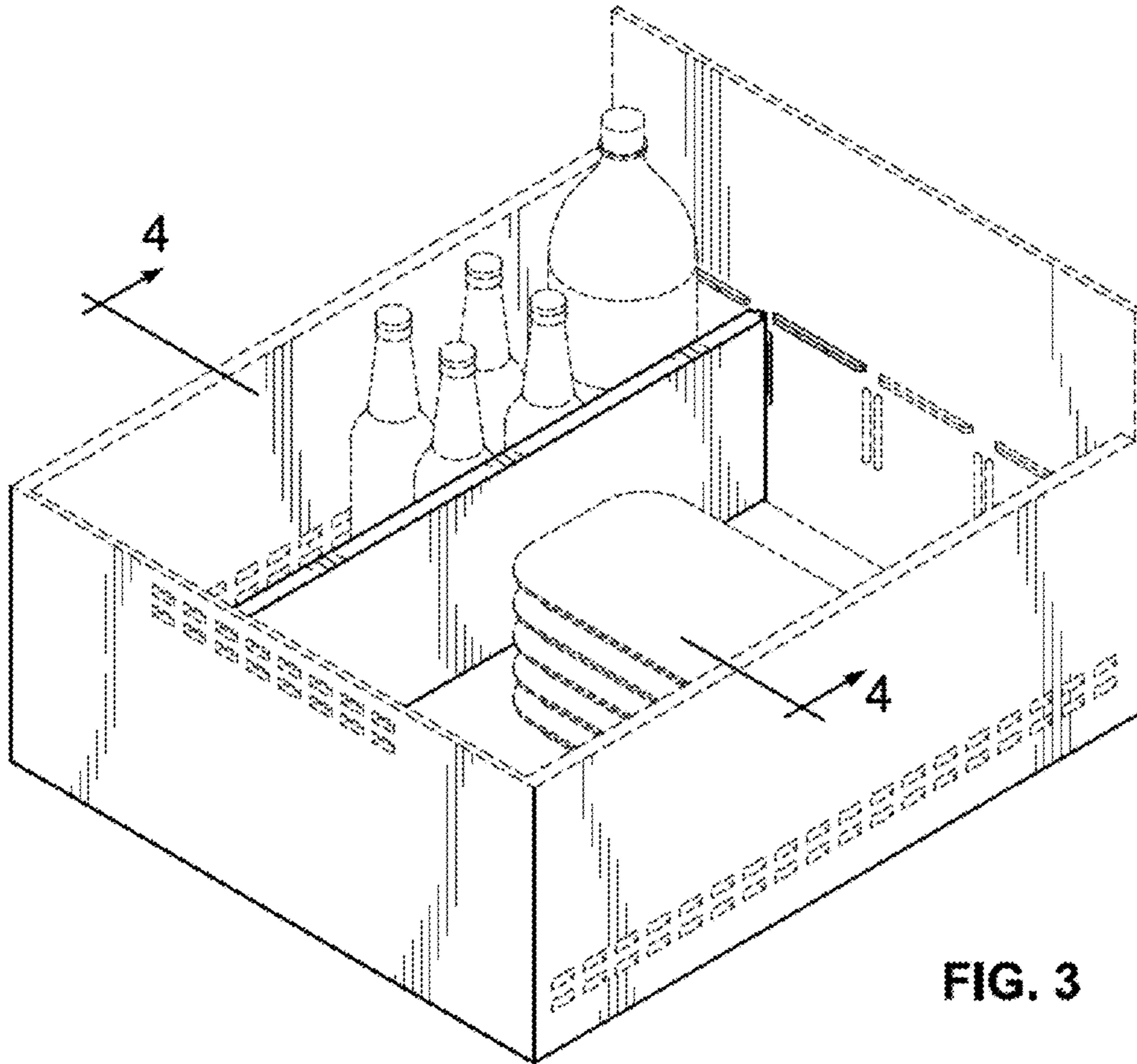


FIG. 3

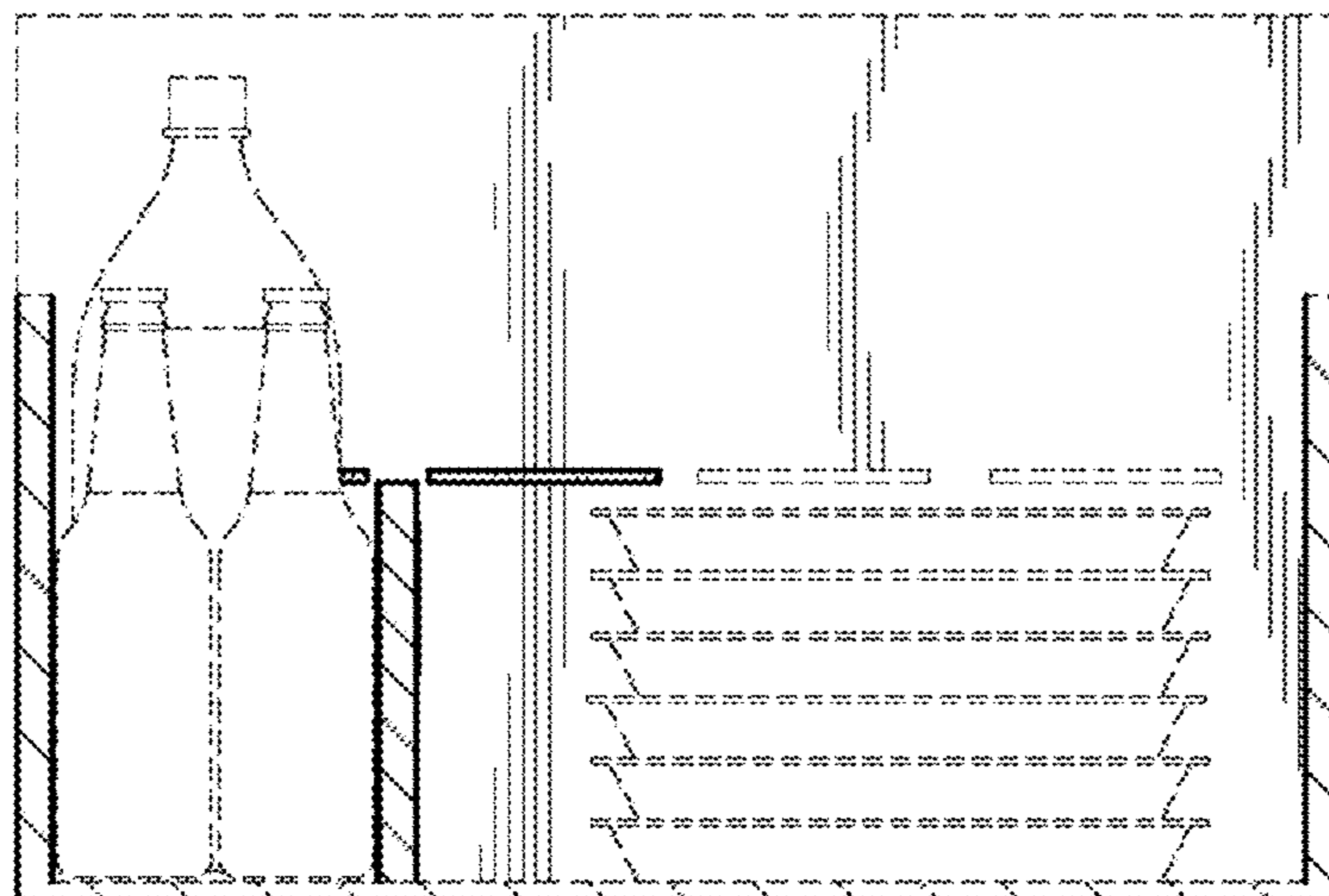


FIG. 4

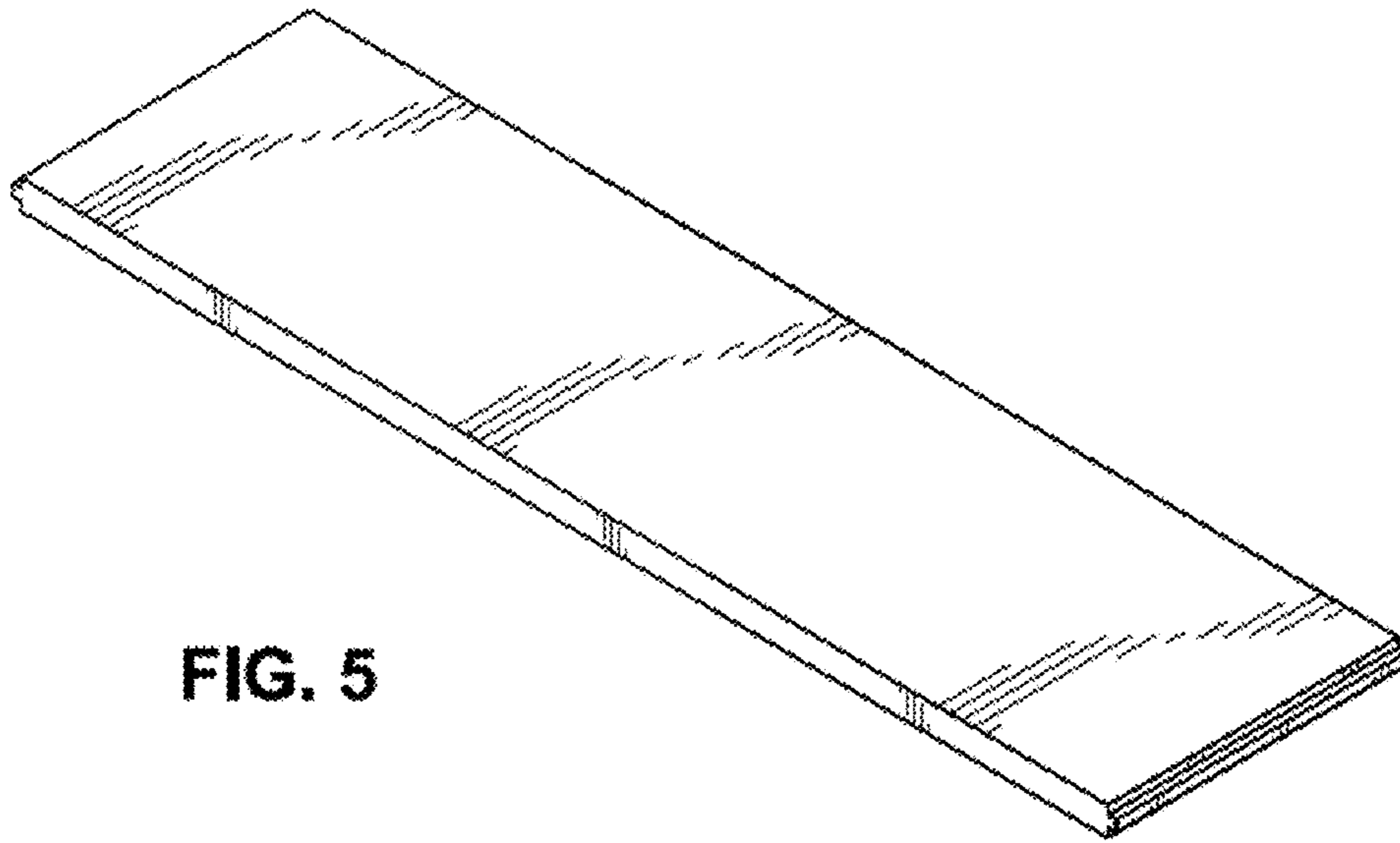


FIG. 5



FIG. 6

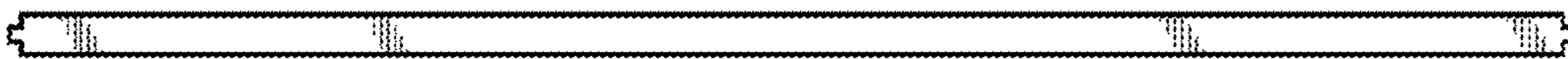


FIG. 7



FIG. 8