

US00D773868S

(12) **United States Design Patent** (10) **Patent No.:** **US D773,868 S**
Schwalbach et al. (45) **Date of Patent:** **** Dec. 13, 2016**

(54) **TABLE**
(71) Applicant: **Apple Inc.**, Cupertino, CA (US)
(72) Inventors: **Charles A. Schwalbach**, Menlo Park, CA (US); **David Samuel Kumka**, San Francisco, CA (US); **Russell John Kaaihue Heirakuji**, Cupertino, CA (US); **Carly Lynn Marasco**, Los Gatos, CA (US); **Frank Craig Thaler**, Santa Cruz, CA (US)

D299,893 S * 2/1989 Diehl D6/691.8
D300,889 S * 5/1989 Bartlett D6/691
D484,717 S * 1/2004 de Blois D6/691
D487,655 S * 3/2004 Varsi D6/686
D522,274 S 6/2006 Coval
D558,489 S * 1/2008 Christensen D6/691.5
D583,590 S * 12/2008 Ellouz D6/691.8
D591,079 S 4/2009 Singler et al.
D591,979 S 5/2009 Singler et al.
D646,507 S * 10/2011 Delmestri D6/691.8
D649,381 S * 11/2011 Mainzer D6/691.8
D657,978 S 4/2012 Hamm et al.

(Continued)

(73) Assignee: **Apple Inc.**, Cupertino, CA (US)

(**) Term: **14 Years**

(21) Appl. No.: **29/516,911**

(22) Filed: **Feb. 6, 2015**

(51) **LOC (10) Cl.** **06-03**

(52) **U.S. Cl.**
USPC **D6/695.6; D6/691.2**

(58) **Field of Classification Search**
USPC D6/691, 691.1, 691.2, 691.6, 641, 691.3, D6/691.4, 656.15, 656, 688.1, 688, 698, D6/390, 382, 692, 692.4, 691.8, 686, 353, D6/688.27, 708.1, 692.2, 692.3, 657, 672, D6/685, 707.19, 691.9, 701, 707, 707.23, D6/644, 656.19; D25/63
CPC A47B 7/00; A47B 13/08; A47B 13/10; A47B 21/00; A47B 25/00; A47B 2009/006; A47B 11/00
See application file for complete search history.

(56) **References Cited**

U.S. PATENT DOCUMENTS

D132,875 S * 6/1942 Cooper D6/686
D214,741 S * 7/1969 Dean D6/691.8
D218,903 S * 10/1970 Chichester, Jr. D6/691.8
D243,376 S * 2/1977 Scott D6/691.8
D243,982 S * 4/1977 Carter D6/691.8
D248,351 S * 7/1978 Bartholomew D6/691.8
D278,584 S * 4/1985 Bromley D6/691.8

OTHER PUBLICATIONS

Apple Granted 8 Design Patents for All-New Apple Watch Tables [online]. Patently Apple, Nov. 28, 2015 [retrieved on Aug. 15, 2016]. Retrieved from the Internet< <http://www.patentlyapple.com/patently-apple/2015/11/apple-granted-8-design-patents-for-all-new-apple-watch-tables.html>>.*

(Continued)

Primary Examiner — Eric Goodman
Assistant Examiner — Sloan Rozin
(74) *Attorney, Agent, or Firm* — Sterne, Kessler, Goldstein & Fox P.L.L.C.

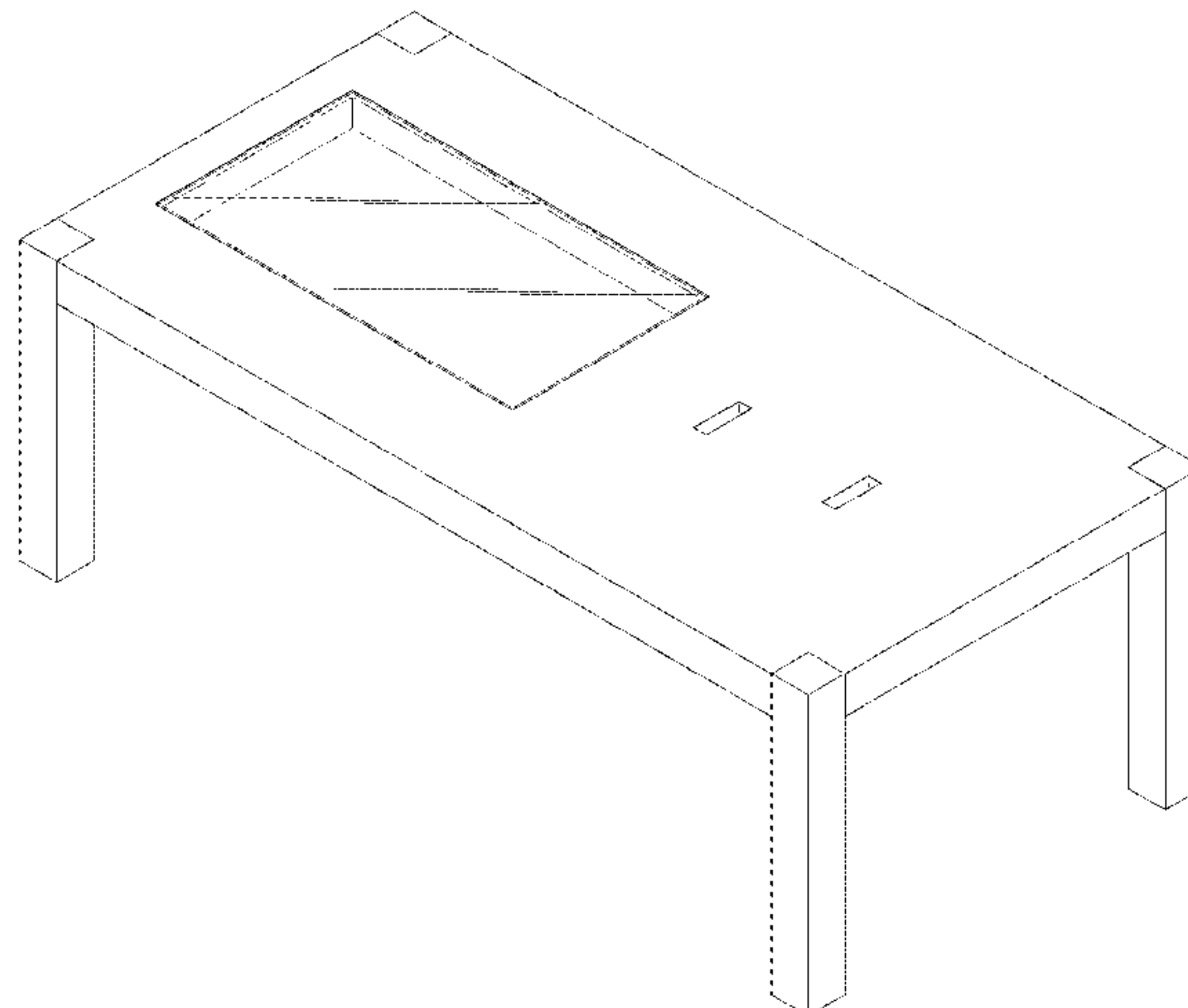
(57) **CLAIM**

The ornamental design for a table, as shown and described.

DESCRIPTION

FIG. 1 is a top front perspective view of a table showing our new design;
FIG. 2 is a front view thereof;
FIG. 3 is a rear view thereof;
FIG. 4 is a right side view thereof;
FIG. 5 is a left side view thereof;
FIG. 6 is a top view thereof; and,
FIG. 7 is a bottom view thereof.
The oblique shade lines in the Figures show transparency or translucency.

1 Claim, 6 Drawing Sheets



(56)

References Cited

U.S. PATENT DOCUMENTS

D678,696 S	3/2013	Hamm et al.	
D679,521 S	4/2013	Hamm et al.	
D683,161 S *	5/2013	Polloni	D6/691.8
D684,413 S *	6/2013	Schmitt	D6/691.2
D688,494 S	8/2013	Hamm et al.	
D689,307 S *	9/2013	Burt	D6/686
D693,156 S	11/2013	Hamm et al.	
D713,658 S	9/2014	Tio et al.	
D717,572 S *	11/2014	Morrison	D6/647
D725,947 S	4/2015	Tio et al.	
D728,281 S	5/2015	Heirakuji et al.	
D734,078 S *	7/2015	Bougay	D6/691.1
D757,464 S *	5/2016	Chiang	D6/642

OTHER PUBLICATIONS

U.S. Appl. No. 29/471,331, filed Oct. 30, 2013.
 U.S. Appl. No. 29/489,107, filed Apr. 25, 2014.

U.S. Appl. No. 14/274,418, filed May 9, 2014.
 U.S. Appl. No. 29/493,878, filed Jun. 13, 2014.
 U.S. Appl. No. 29/493,879, filed Jun. 13, 2014.
 U.S. Appl. No. 29/495,788, filed Jul. 3, 2014.
 U.S. Appl. No. 29/499,677, filed Aug. 18, 2014.
 U.S. Appl. No. 29/500,951, filed Aug. 29, 2014.
 U.S. Appl. No. 29/501,029, filed Aug. 29, 2014.
 U.S. Appl. No. 29/501,841, filed Sep. 9, 2014.
 U.S. Appl. No. 29/522,911, filed Apr. 3, 2015.
 U.S. Appl. No. 29/525,869, filed May 4, 2015.
 Neil Hughes, "Apple retail stores 'bulging at the seams' at 8400 average square feet," Appleinsider.com, dated May 8, 2012, accessed at <http://appleinsider.com/articles/12/05/08/apple_retail_stores_bulging_at_the_seams_at_8400_average_square_feet>, accessed on Oct. 20, 2014, 2 pages.
 Valentina Palladino, "Apple Store Receives Trademark for 'Distinctive Design and Layout,'" Wired.com, dated Jan. 30, 2013, accessed at <<http://www.wired.com/2013/01/apple-store-trademark/>>, accessed on Oct. 10, 2014, 2 pages.

* cited by examiner

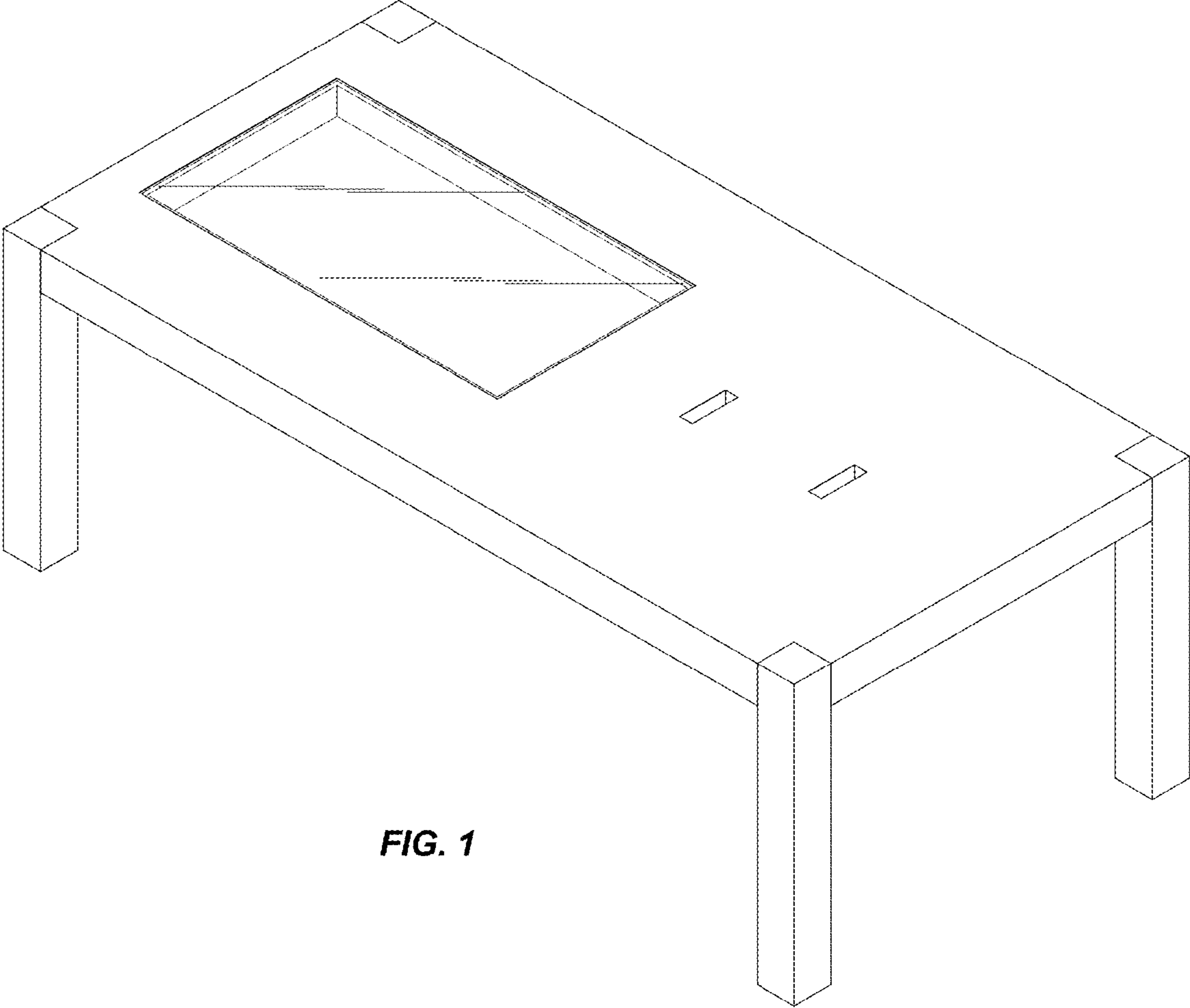


FIG. 1

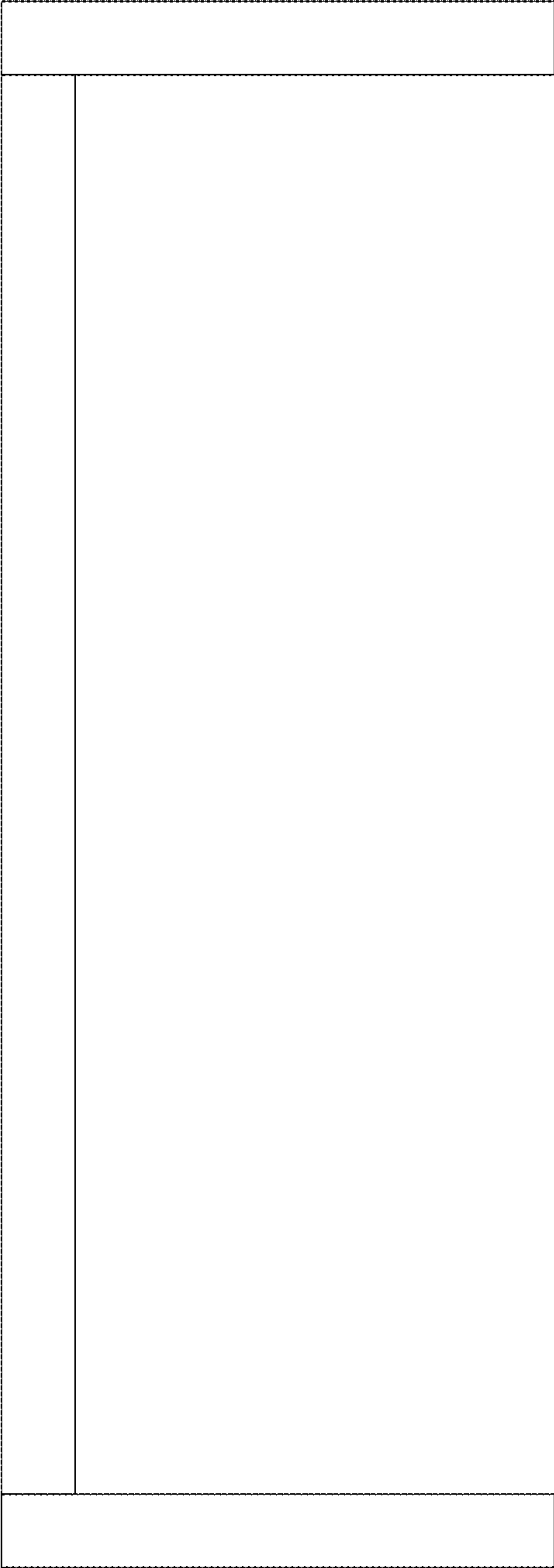


FIG. 2

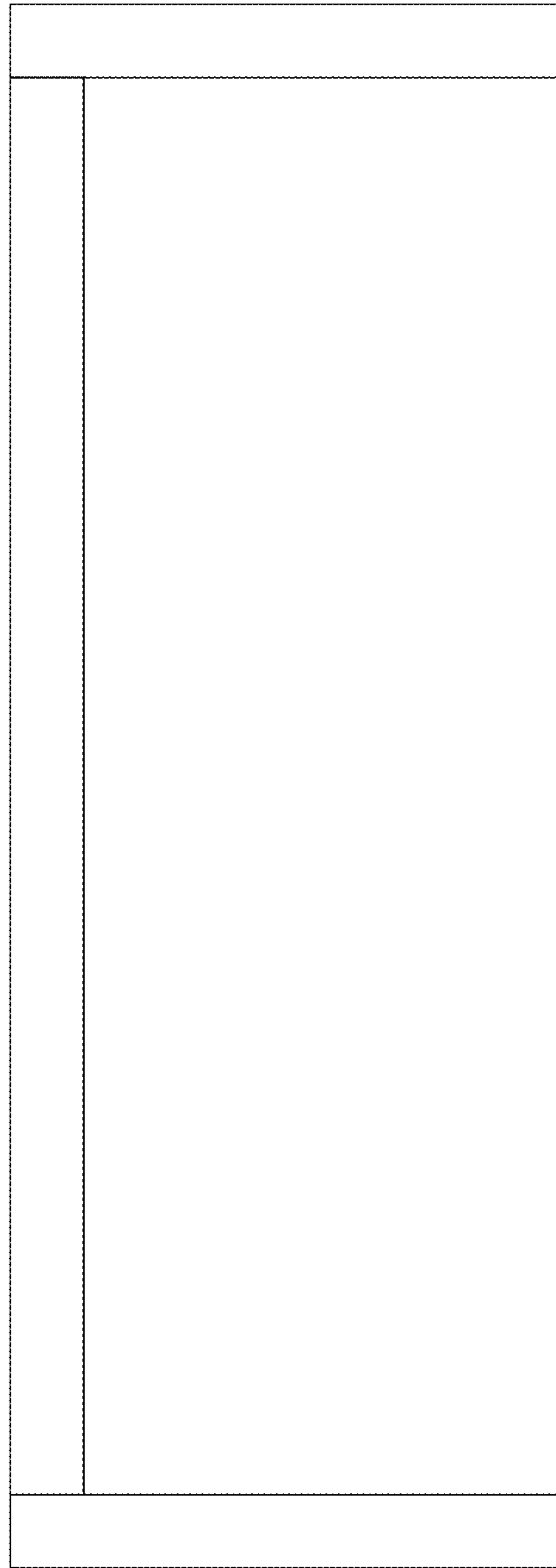


FIG. 3



FIG. 4



FIG. 5

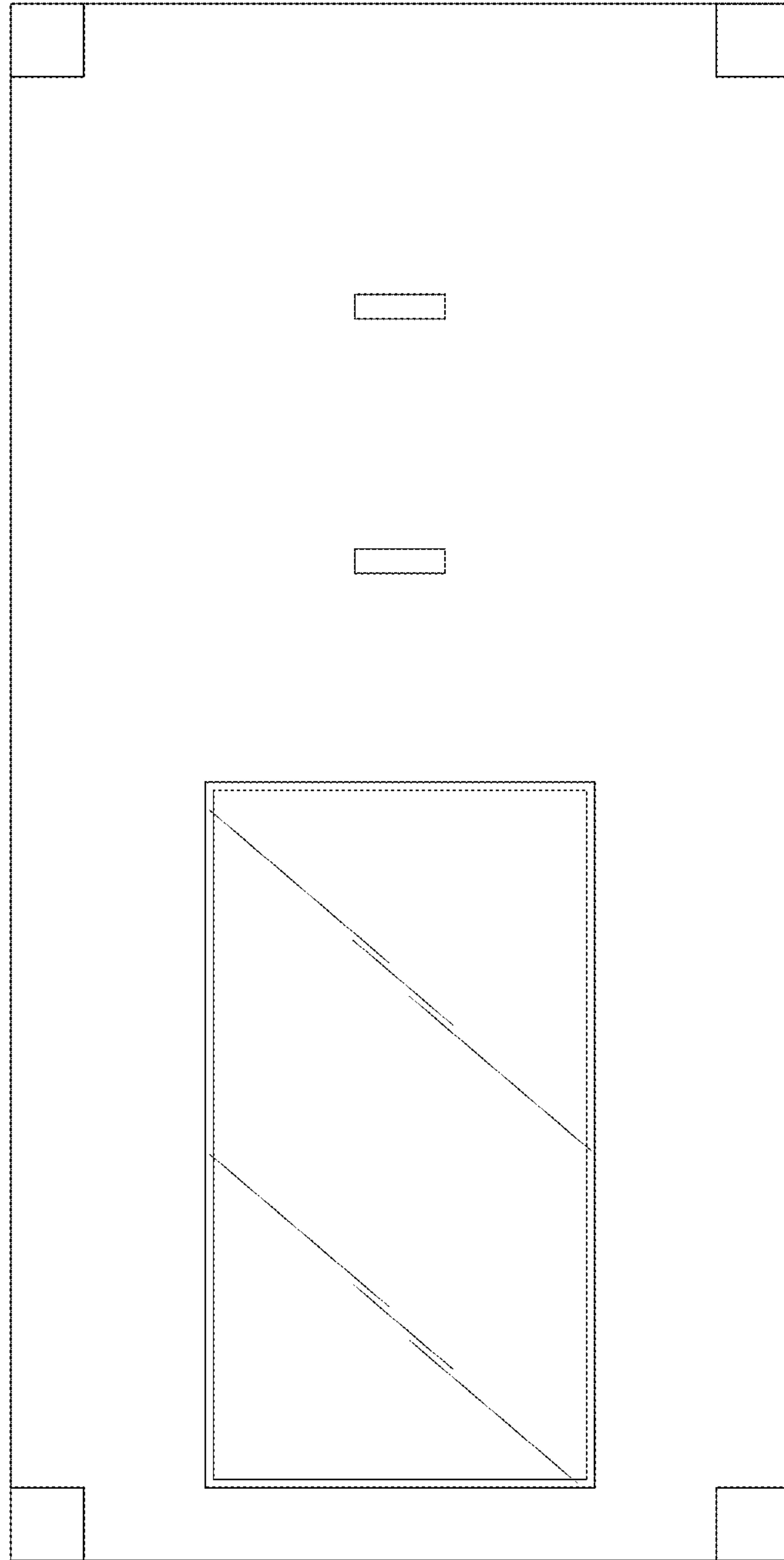


FIG. 6



FIG. 7