



US00D773866S

(12) **United States Design Patent**  
**Högberg**

(10) **Patent No.:** **US D773,866 S**

(45) **Date of Patent:** **\*\* Dec. 13, 2016**

(54) **DISPLAY UNIT**

(71) Applicant: **KG Spennare**, Nacka (SE)

(72) Inventor: **Joel Högberg**, Nacka (SE)

(73) Assignee: **KG SPENNARE AB**, Nacka (SE)

(\*\*) Term: **14 Years**

(21) Appl. No.: **29/513,942**

(22) Filed: **Jan. 7, 2015**

(30) **Foreign Application Priority Data**

Jul. 10, 2014 (EM) ..... 002500132-0001

(51) **LOC (10) Cl.** ..... **06-04**

(52) **U.S. Cl.**  
USPC ..... **D6/681**

(58) **Field of Classification Search**  
USPC ..... D6/681, 681.1; D14/238; D16/241, 242;  
D20/10, 19, 41, 42  
CPC ..... G03B 21/56; G03B 21/58; G03B 21/14;  
G03B 15/06; E04G 25/08  
See application file for complete search history.

(56) **References Cited**

**U.S. PATENT DOCUMENTS**

D151,337 S \* 10/1948 Eller et al. .... D16/241  
D317,630 S \* 6/1991 Allen ..... D20/10  
D354,863 S \* 1/1995 Pope ..... D6/681  
D458,485 S \* 6/2002 Tramontina ..... D6/515  
D468,362 S \* 1/2003 Zarelius ..... D20/99  
D490,835 S \* 6/2004 Kotera ..... D16/241  
D500,805 S \* 1/2005 Hinds ..... D20/19  
D520,046 S \* 5/2006 Miyagawa ..... D16/241  
D538,353 S \* 3/2007 Spennare ..... D20/41  
D552,181 S \* 10/2007 Spennare ..... D20/10  
D592,706 S \* 5/2009 Zarelius ..... D20/43

D592,707 S \* 5/2009 Zarelius ..... D20/43  
D594,894 S \* 6/2009 Adams ..... D16/241  
D598,501 S \* 8/2009 Merner ..... D20/43  
D600,046 S \* 9/2009 Kelsen ..... D6/681.1  
D602,973 S \* 10/2009 Adams ..... D16/241  
D607,034 S \* 12/2009 Adams ..... D16/241  
D614,225 S \* 4/2010 Adams ..... D16/241  
D625,528 S \* 10/2010 Sprague ..... D6/681  
D645,090 S \* 9/2011 Gimpel ..... D20/10  
D651,249 S \* 12/2011 Gimpel ..... D20/10  
8,313,199 B2 \* 11/2012 Hirata ..... G02B 17/08  
353/94  
D748,079 S \* 1/2016 Dinsdale ..... D14/230

(Continued)

*Primary Examiner* — John Windmuller

*Assistant Examiner* — Steven Czyz

(74) *Attorney, Agent, or Firm* — Fox Rothschild LLP

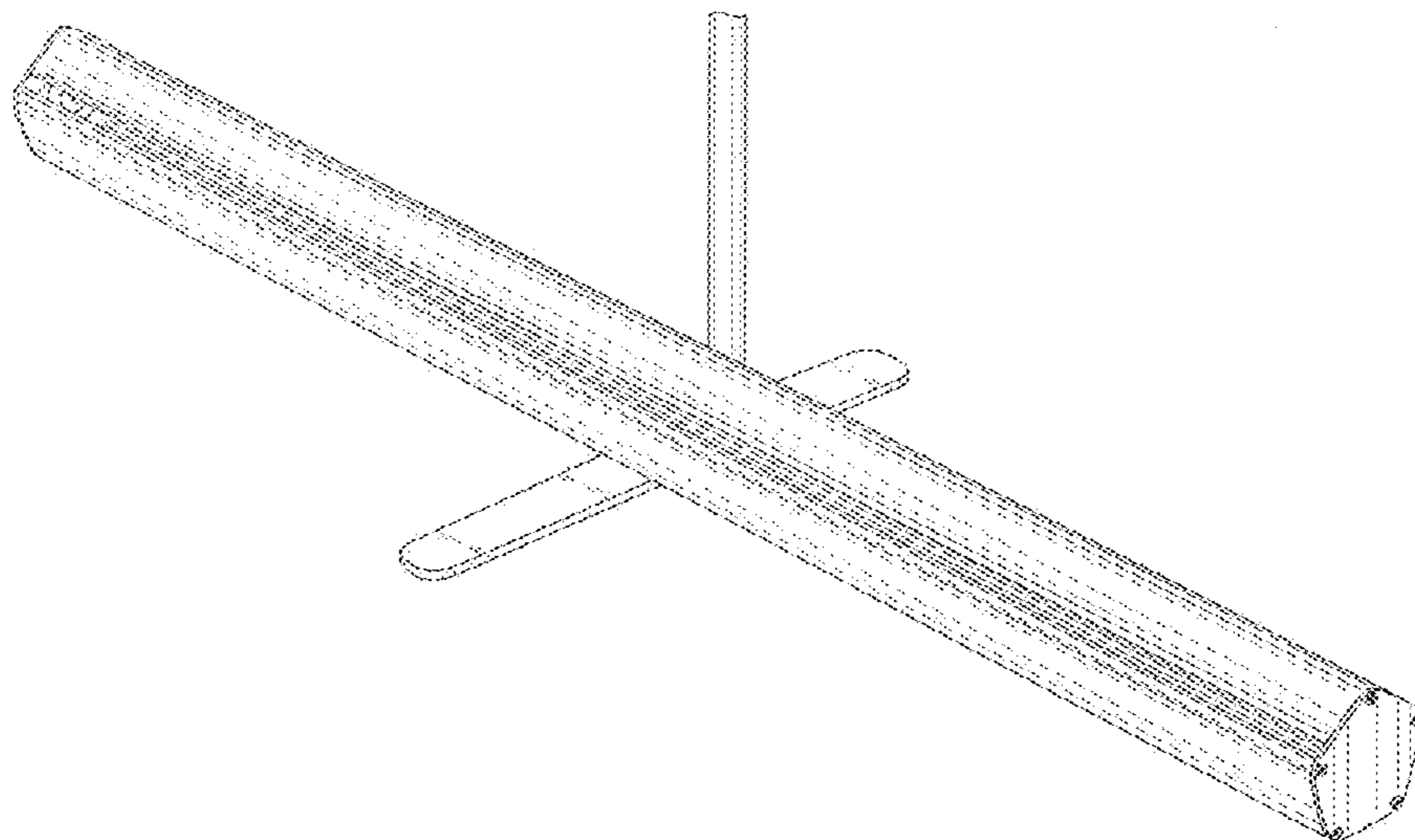
(57) **CLAIM**

The ornamental design for display unit, as shown and described.

**DESCRIPTION**

FIG. 1 is a perspective view of a display unit according to the new design;  
FIG. 2 is a front view thereof;  
FIG. 3 is a back view thereof;  
FIG. 4 is a left side view, of which the right side view is a mirror image;  
FIG. 5 is a top plan view thereof; and,  
FIG. 6 is a bottom view thereof.  
The wavy line at the top of the pole in the drawings depicts a symbolic break in the length of the display unit. The appearance of any portion of the display unit beyond the break line forms no part of the claimed design. Further, the broken lines shown forms no part of the claimed design. The broken lines depict portions of the article that form no part of the claimed design.

**1 Claim, 6 Drawing Sheets**



(56)

**References Cited**

U.S. PATENT DOCUMENTS

2007/0070500 A1\* 3/2007 Meyer ..... G09F 15/0025  
359/461  
2009/0122400 A1\* 5/2009 Adams ..... G03B 21/56  
359/461  
2011/0032612 A1\* 2/2011 Abe ..... G03B 21/58  
359/461

\* cited by examiner

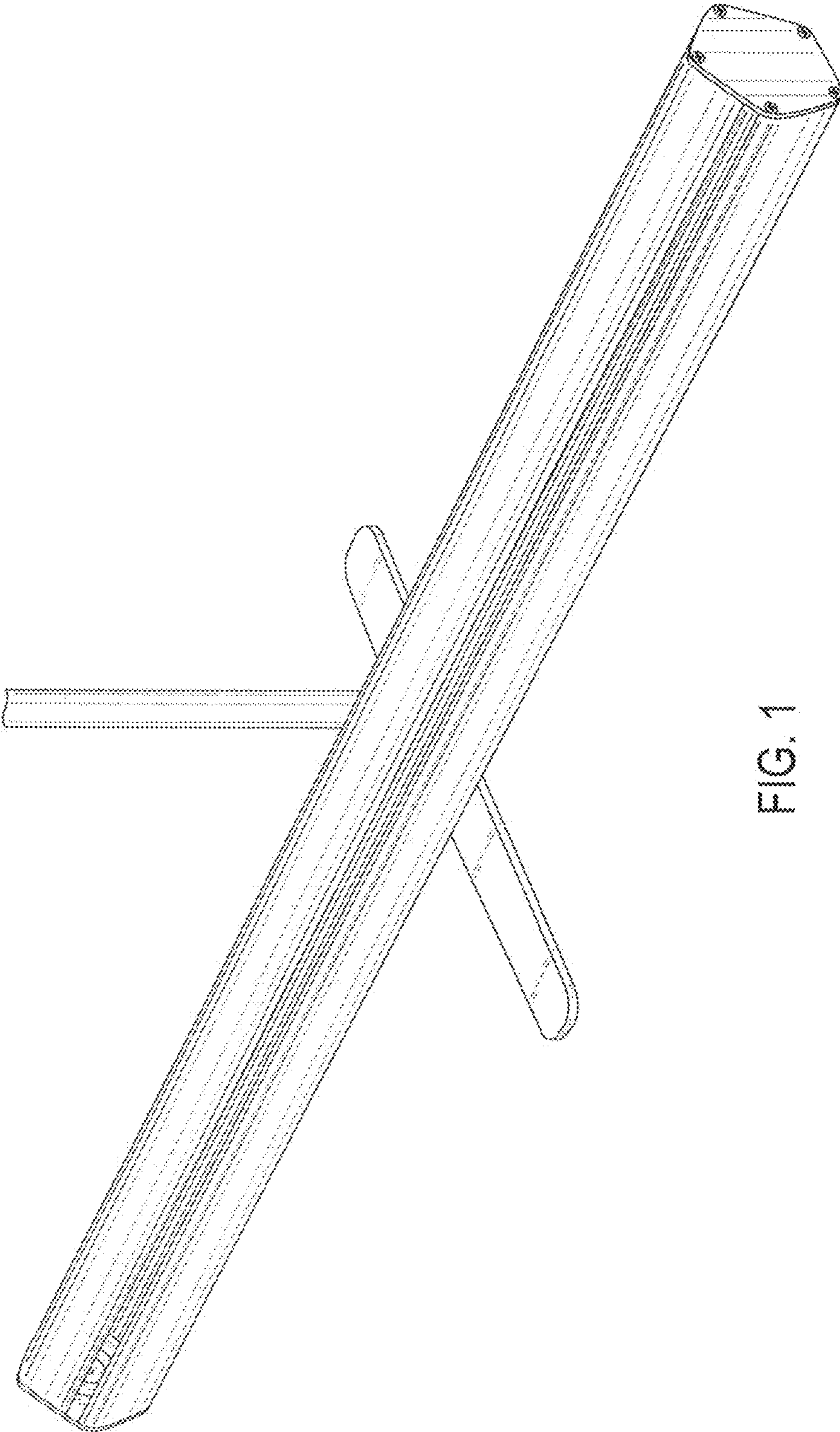


FIG. 1

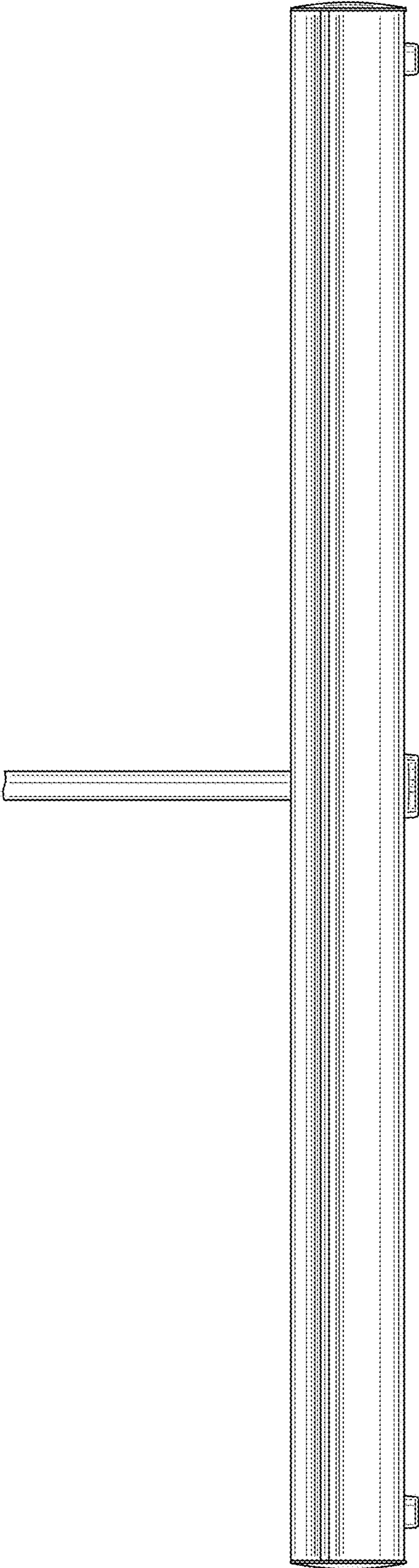


FIG. 2



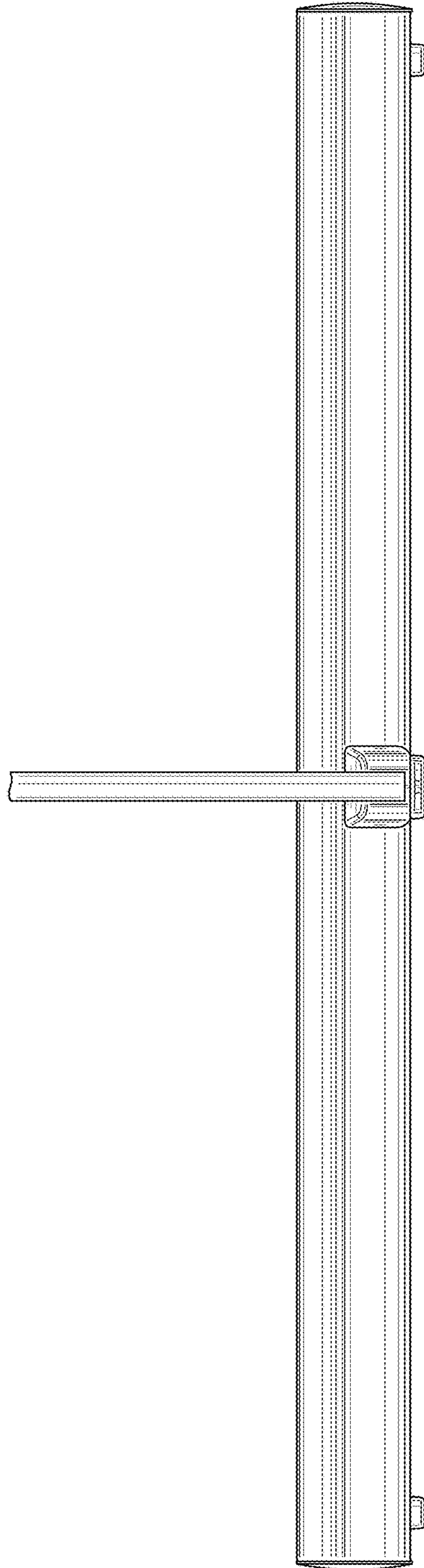


FIG. 3

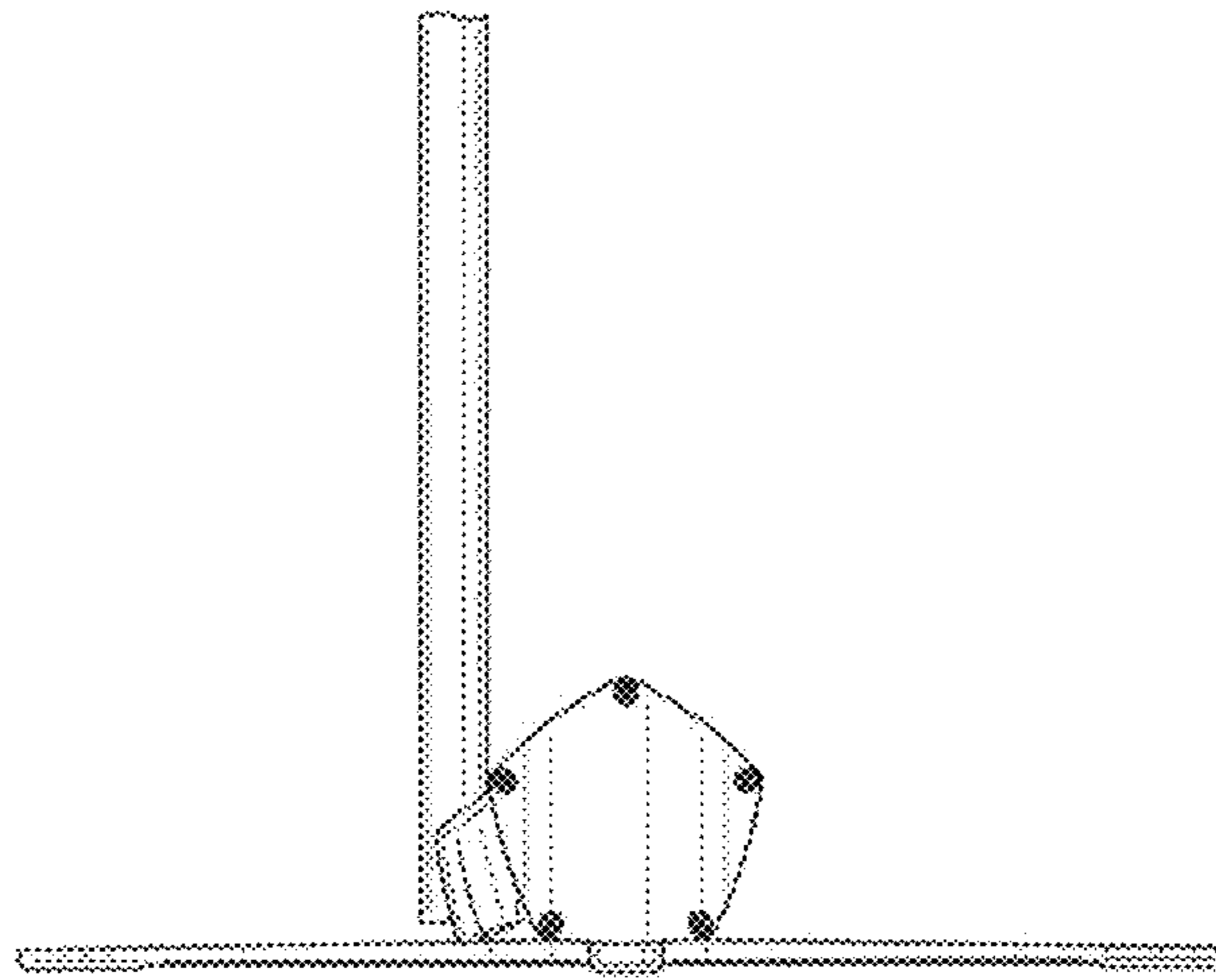


FIG. 4

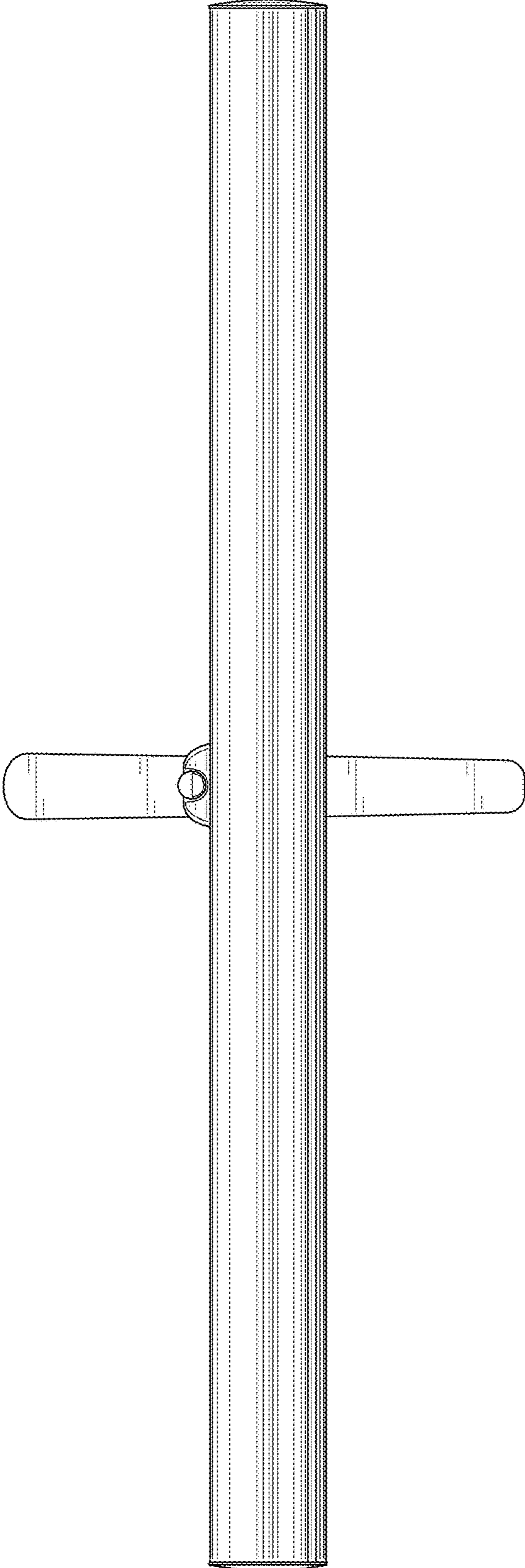


FIG. 5

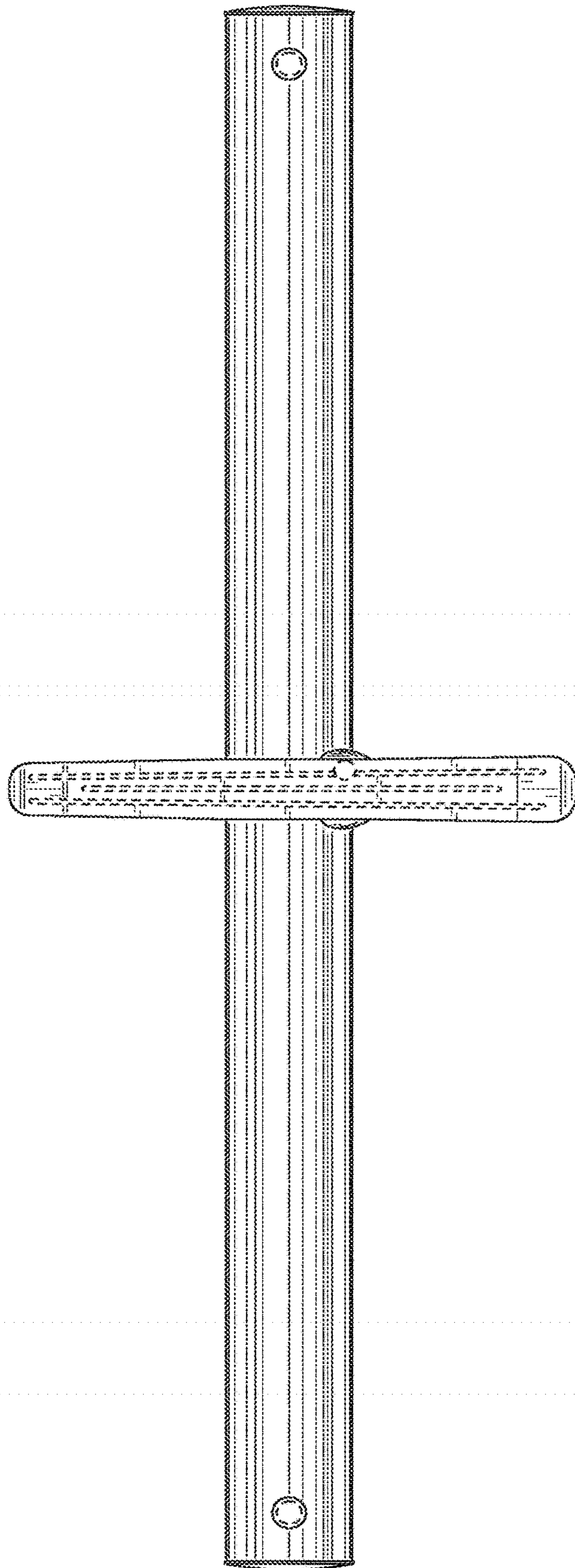


FIG. 6



UNITED STATES PATENT AND TRADEMARK OFFICE  
**CERTIFICATE OF CORRECTION**

PATENT NO. : D773,866 S  
APPLICATION NO. : 29/513942  
DATED : December 13, 2016  
INVENTOR(S) : Joel Hogberg

Page 1 of 1

It is certified that error appears in the above-identified patent and that said Letters Patent is hereby corrected as shown below:

On the Title Page

Item (71) Applicant: after "KG SPENNARE" please insert --AB--.

Signed and Sealed this  
Fourth Day of April, 2017



Michelle K. Lee  
*Director of the United States Patent and Trademark Office*