



US00D773864S

(12) **United States Design Patent**
Yoshikawa

(10) **Patent No.:** **US D773,864 S**
(45) **Date of Patent:** **** Dec. 13, 2016**

(54) **STORAGE CASE**

(71) Applicant: **Toshiyuki Yoshikawa**, Katsuragi (JP)
(72) Inventor: **Toshiyuki Yoshikawa**, Katsuragi (JP)
(73) Assignee: **KABUSHIKI KAISHA**
YOSHIKAWAKUNI KOGYOSHO,
Katsuragi-Shi, Nara-Ken (JP)

(**) Term: **14 Years**
(21) Appl. No.: **29/481,220**
(22) Filed: **Feb. 3, 2014**

(30) **Foreign Application Priority Data**

Nov. 19, 2013 (JP) 2013-027076
(51) **LOC (10) Cl.** **06-04**
(52) **U.S. Cl.**
USPC **D6/675**
(58) **Field of Classification Search**
USPC D3/314; D6/315, 316, 329, 343, 352,
D6/362, 391, 400.4, 406.5, 407, 514, 519,
552, D6/556, 573, 574, 629, 630, 641,
653, 653.14, D6/653.21, 661.2, 670, 672,
673, 675, 675.1, D6/675.3, 675.4, 676.3,
680.2, 685, 691.5; D13/162, 184;
D14/304; D21/385, 509; D32/5; D7/708;
211/13, 14, 15, 40, 45, 211/85.28, 150,
166; 312/111; 52/6

(Continued)

(56) **References Cited**

U.S. PATENT DOCUMENTS

D278,110 S * 3/1985 Boland, II D7/708
D307,977 S * 5/1990 Egly et al. D6/629

(Continued)

FOREIGN PATENT DOCUMENTS

JP D1504703 * 8/2014

OTHER PUBLICATIONS

Safco Wire Cube Shelving System: announced Oct. 4, 2012 [online] site visited [Jun. 24, 2015]. Available from Internet URL:< http://www.ebay.com/itm/Safco-Wire-Cube-Shelving-System-14w-x-14d-x-14h-Black-ST-SAF5279BL-/370771965852.*

Primary Examiner — Thomas Johannes
Assistant Examiner — Catherine Posthauer
(74) *Attorney, Agent, or Firm* — Vedder Price PC

(57) **CLAIM**

The ornamental for a storage case, as shown and described.

DESCRIPTION

FIG. 1 is a front view of a storage case showing my new design;
FIG. 2 is a rear view thereof;
FIG. 3 is a plan view thereof;
FIG. 4 is a bottom view thereof;
FIG. 5 is a right side view thereof;
FIG. 6 is a sectional view thereof taken in the direction of line 6-6 of FIG. 1;
FIG. 7 is a sectional view thereof taken in the direction of line 7-7 of FIG. 1;
FIG. 8 is a sectional view thereof taken in the direction of line 8-8 of FIG. 3;
FIG. 9 is a perspective view thereof;
FIG. 10 is an exploded perspective view thereof;
FIG. 11 is a perspective view of a horizontal plate portion of the storage case, as shown separately to better illustrate claimed detail;
FIG. 12 is a perspective view of a side plate thereof;
FIG. 13 is a perspective view of a back plate thereof;
FIG. 14 is an enlarged perspective view of a coupling assembly part thereof;
FIG. 15 is an enlarged sectional view of a coupling assembly part thereof taken in the direction of line 15-15 of FIG. 14;
FIG. 16 is a reference perspective view thereof showing the storage case in use with the partition plate installed;
FIG. 17 is a reference perspective view thereof showing the storage case in use with the partition plate hovering outside;
and,

(Continued)

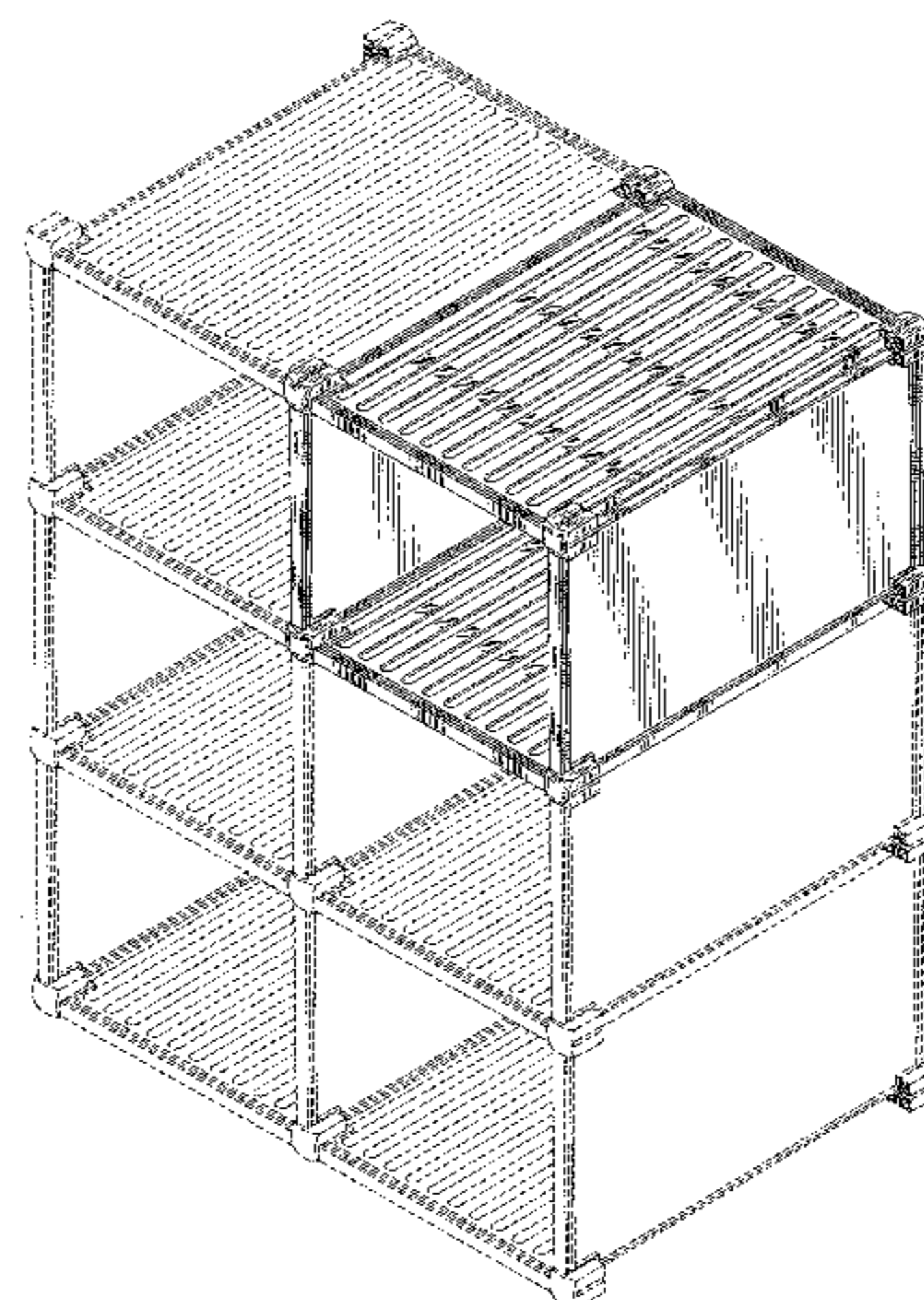
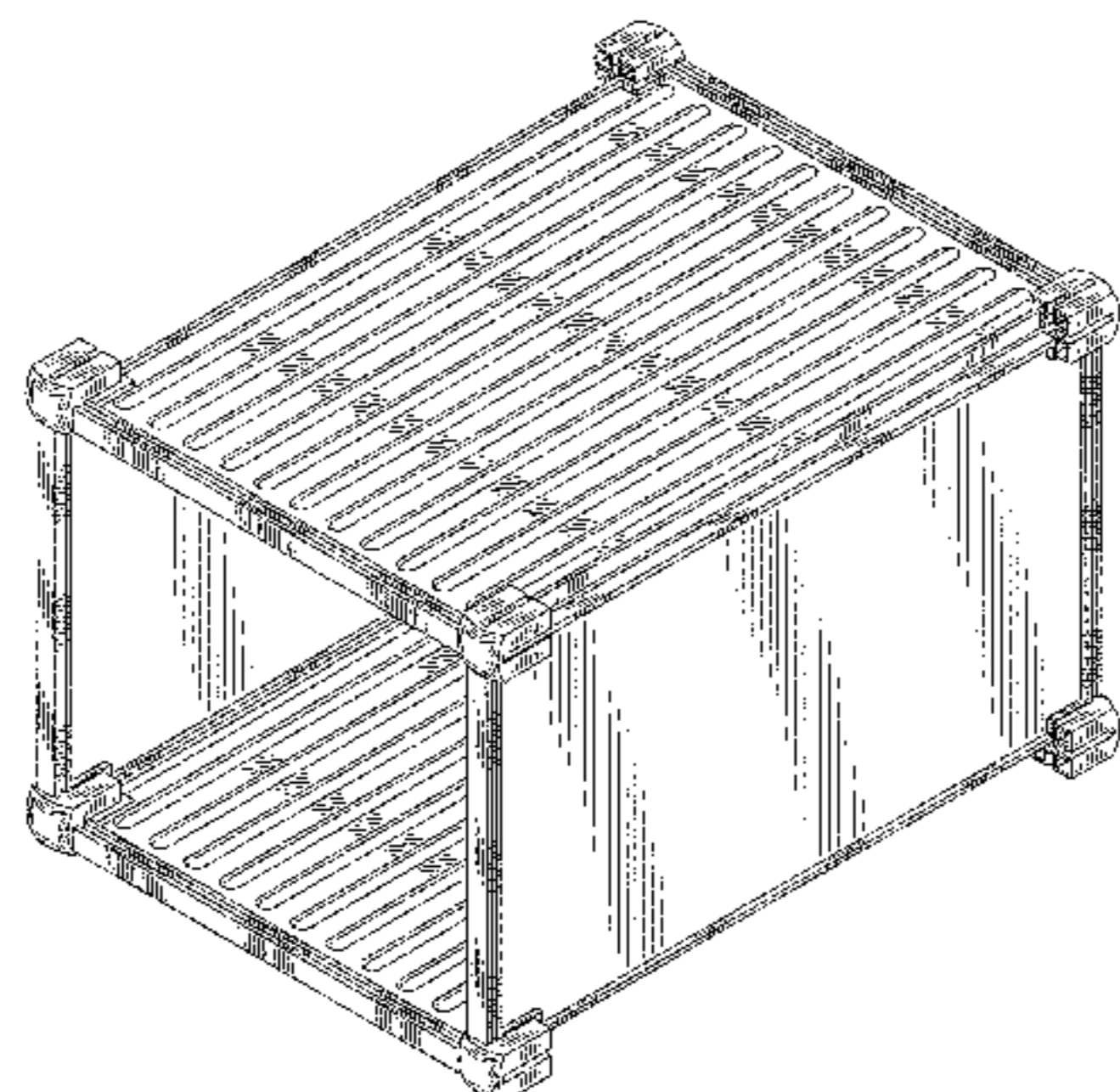


FIG. 18 is another reference perspective view thereof showing the storage case in use.

The evenly broken lines are shown for the purpose of illustrating unclaimed portions of the storage case and form no part of the claimed design. The dot dash lines are shown to indicate projection lines to related design components and form no part of the claimed design.

The present invention is a storage case to store shoes and clothes. The storage case is composed of horizontal plates, side plates, coupling assembly parts and a dual back plate and dividing partition plate. The storage case is designed to be freely assembled, disassembled, and extended both vertically and horizontally.

1 Claim, 18 Drawing Sheets

(58) **Field of Classification Search**

CPC A47F 5/101; A47F 5/0025; A47B 47/0025;

B65D 21/083; B65D 21/0204; B65D
21/0209

See application file for complete search history.

(56)

References Cited

U.S. PATENT DOCUMENTS

D308,599	S *	6/1990	Long et al.	D6/629
D346,290	S *	4/1994	Cifra	D6/675.5
D401,424	S *	11/1998	Ogo et al.	D6/329
D404,019	S *	1/1999	Lindsley et al.	D13/184
D455,292	S *	4/2002	Hardy et al.	D6/675
D555,399	S *	11/2007	Tsai	D6/675.1
D590,634	S *	4/2009	Nigro	D6/675.5
8,113,600	B2 *	2/2012	Zalewski et al.	312/111
D725,413	S *	3/2015	Aleisa	D6/675
2013/0180182	A1 *	7/2013	Yoo	52/6
2014/0069882	A1 *	3/2014	Cheng	211/150

* cited by examiner

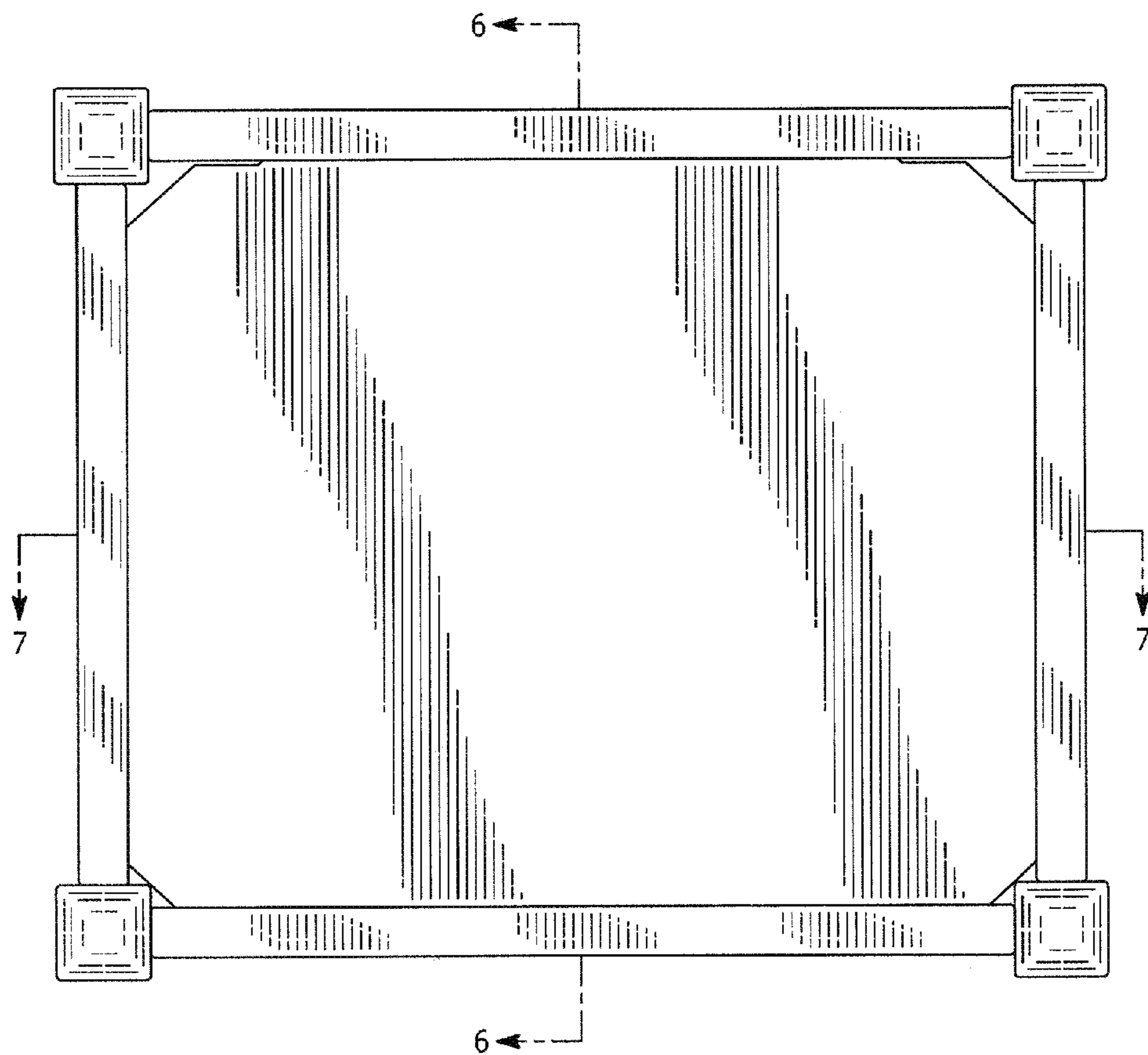


FIG. 1

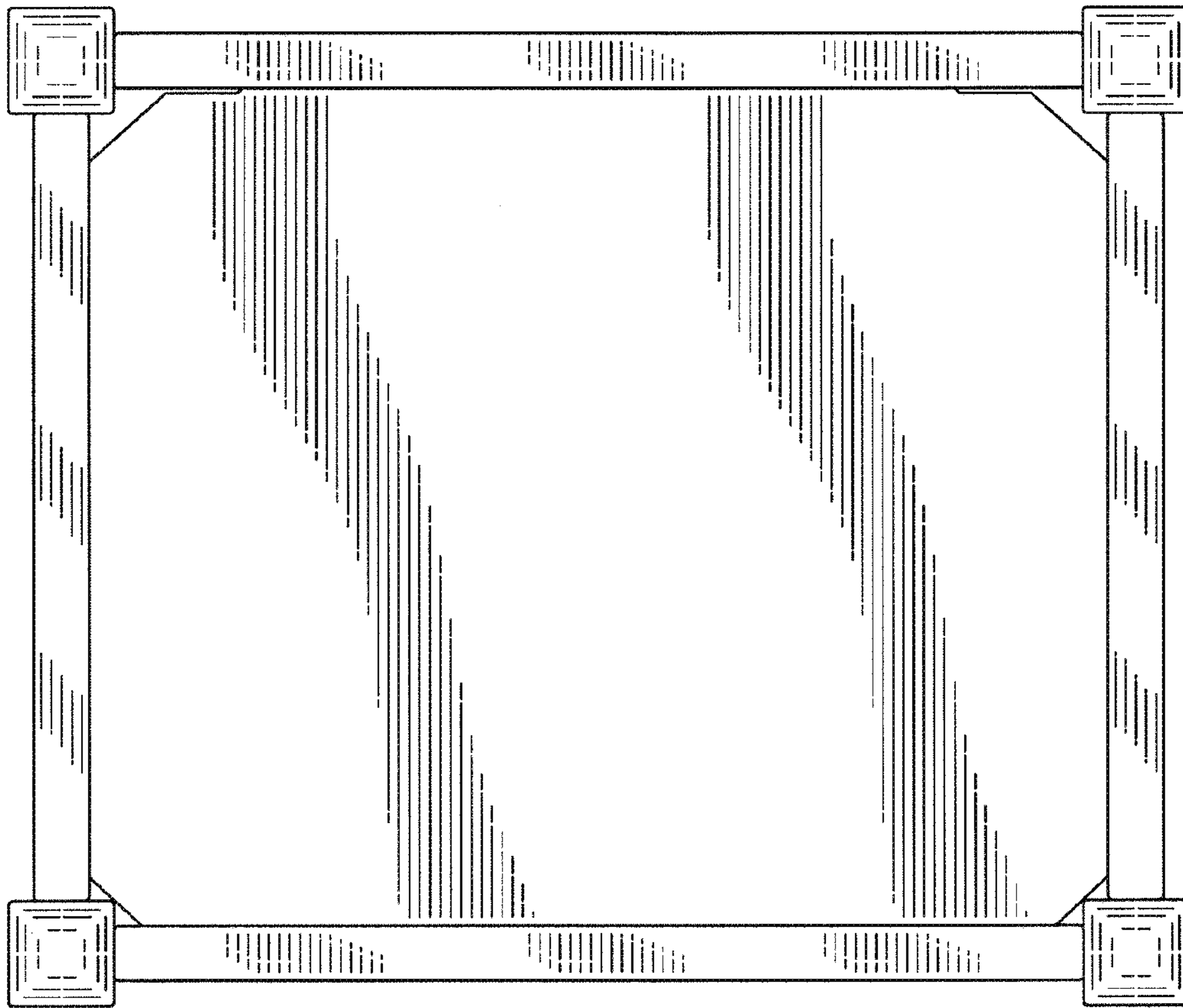


FIG. 2

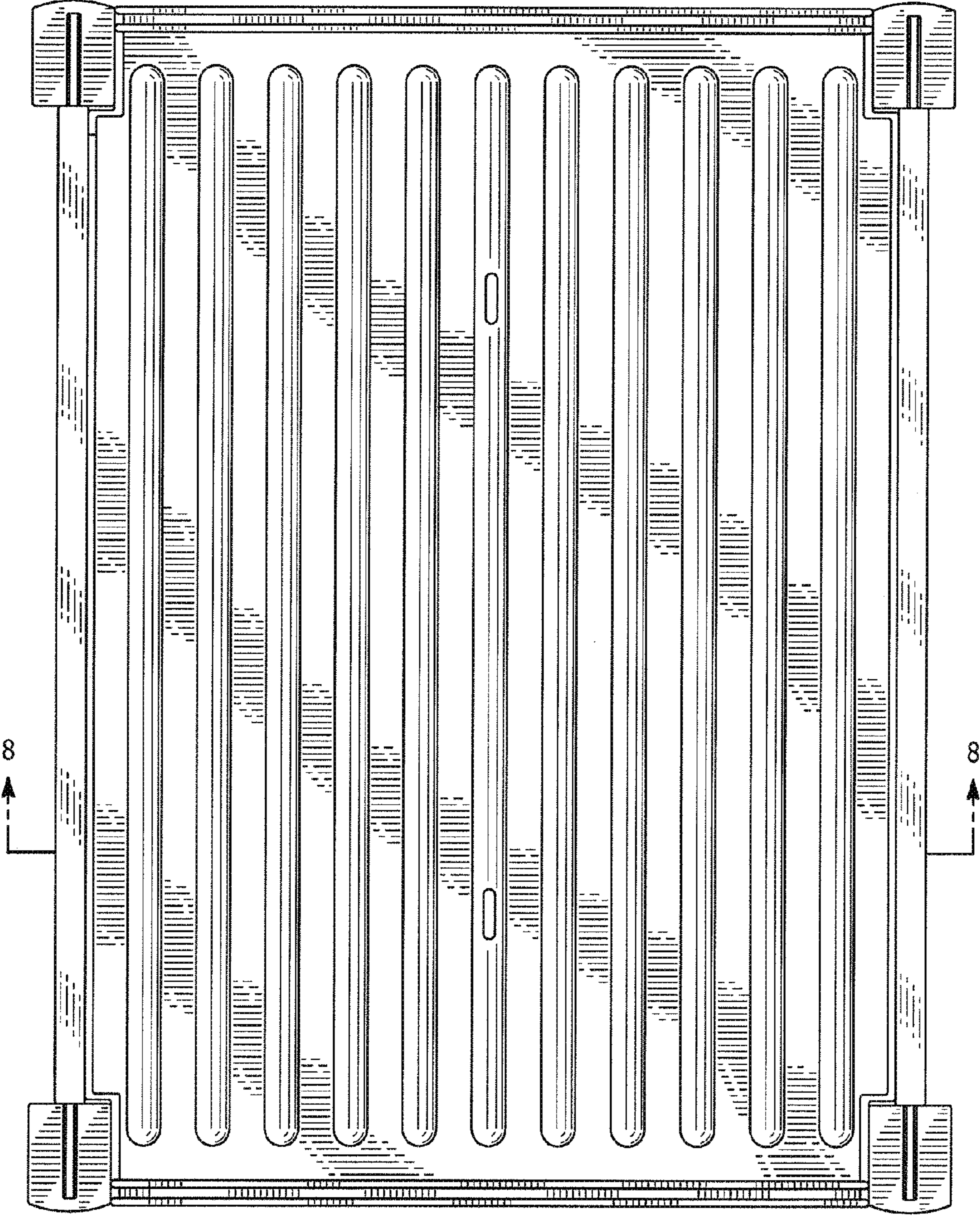


FIG. 3

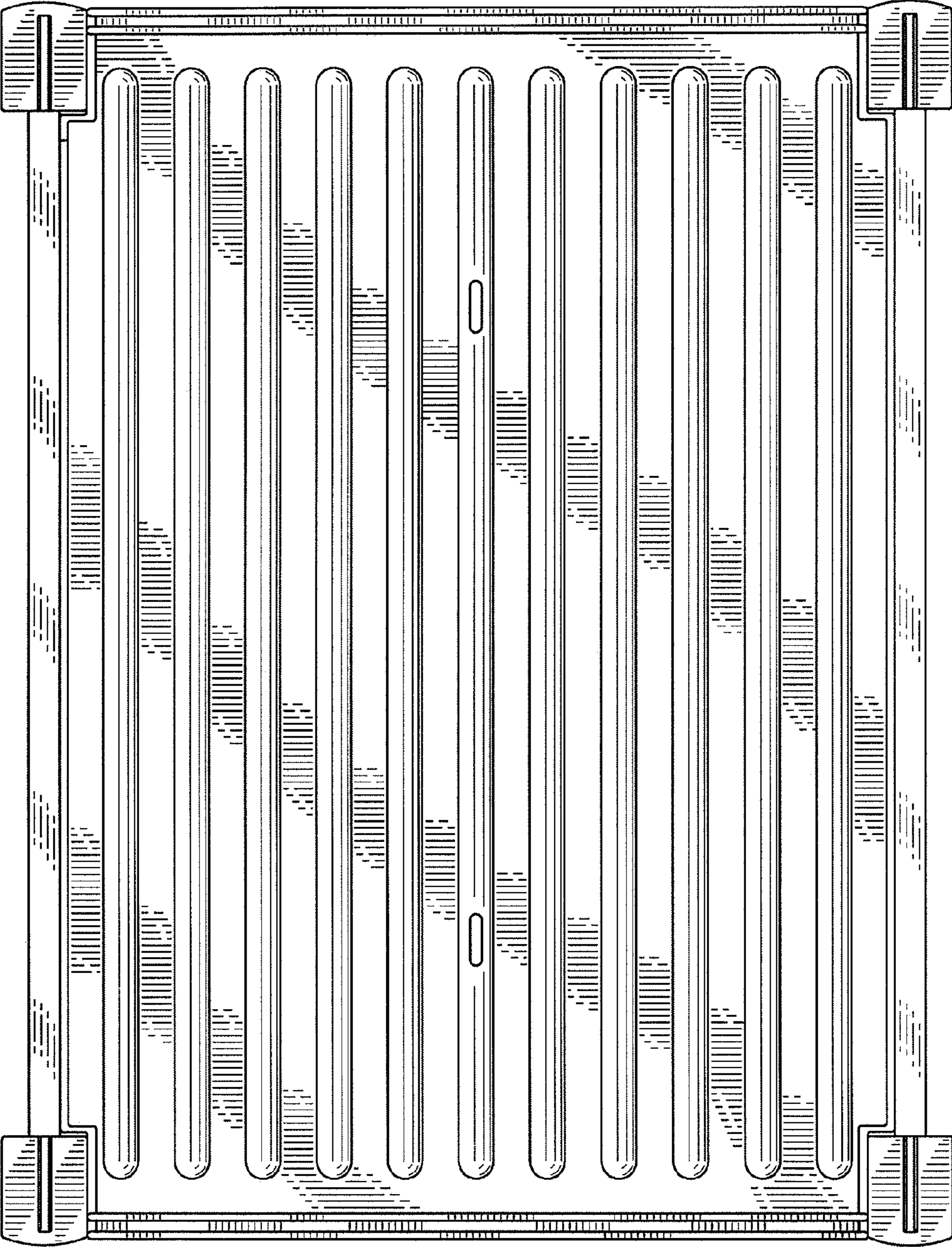


FIG. 4

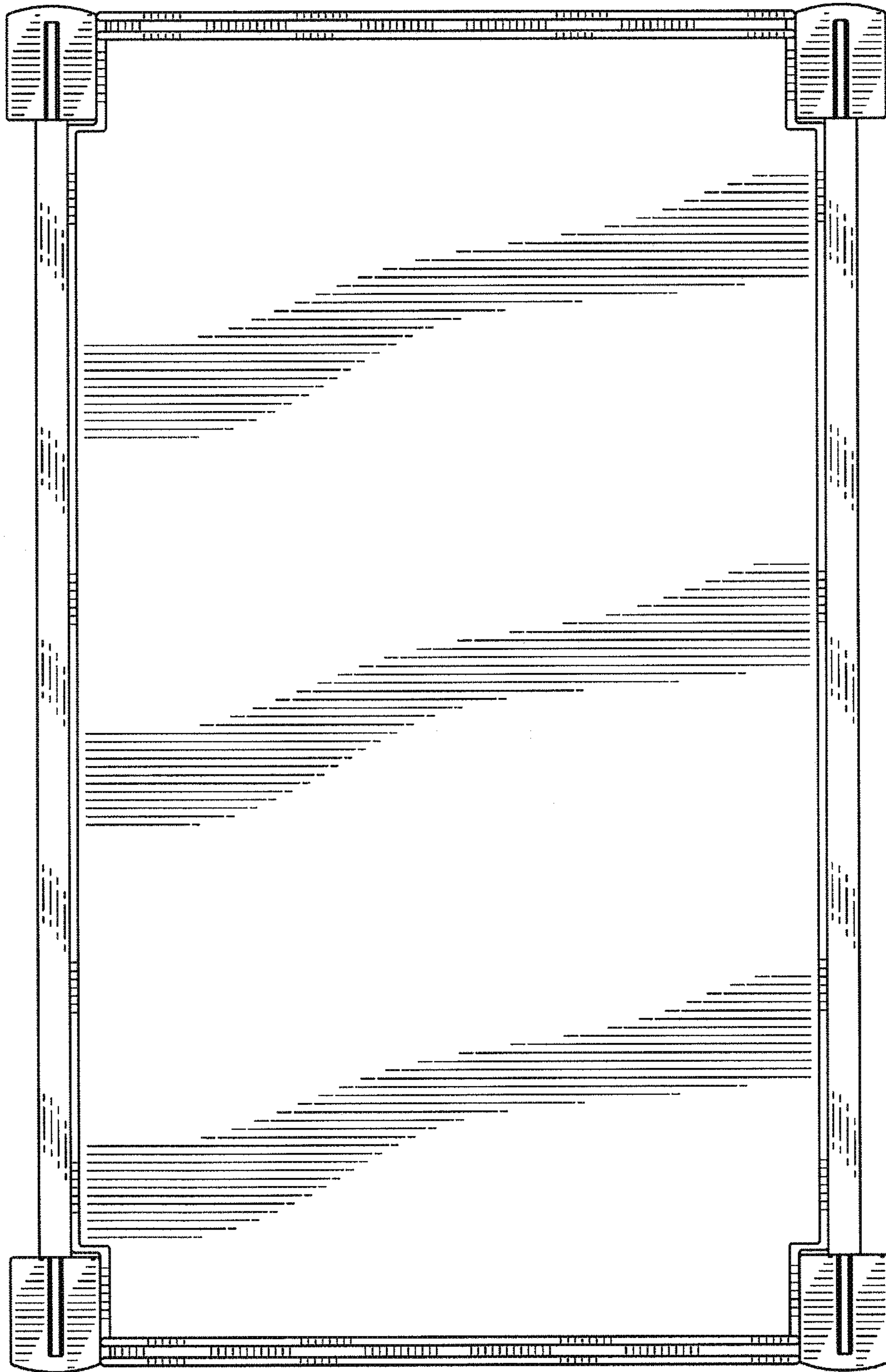


FIG. 5

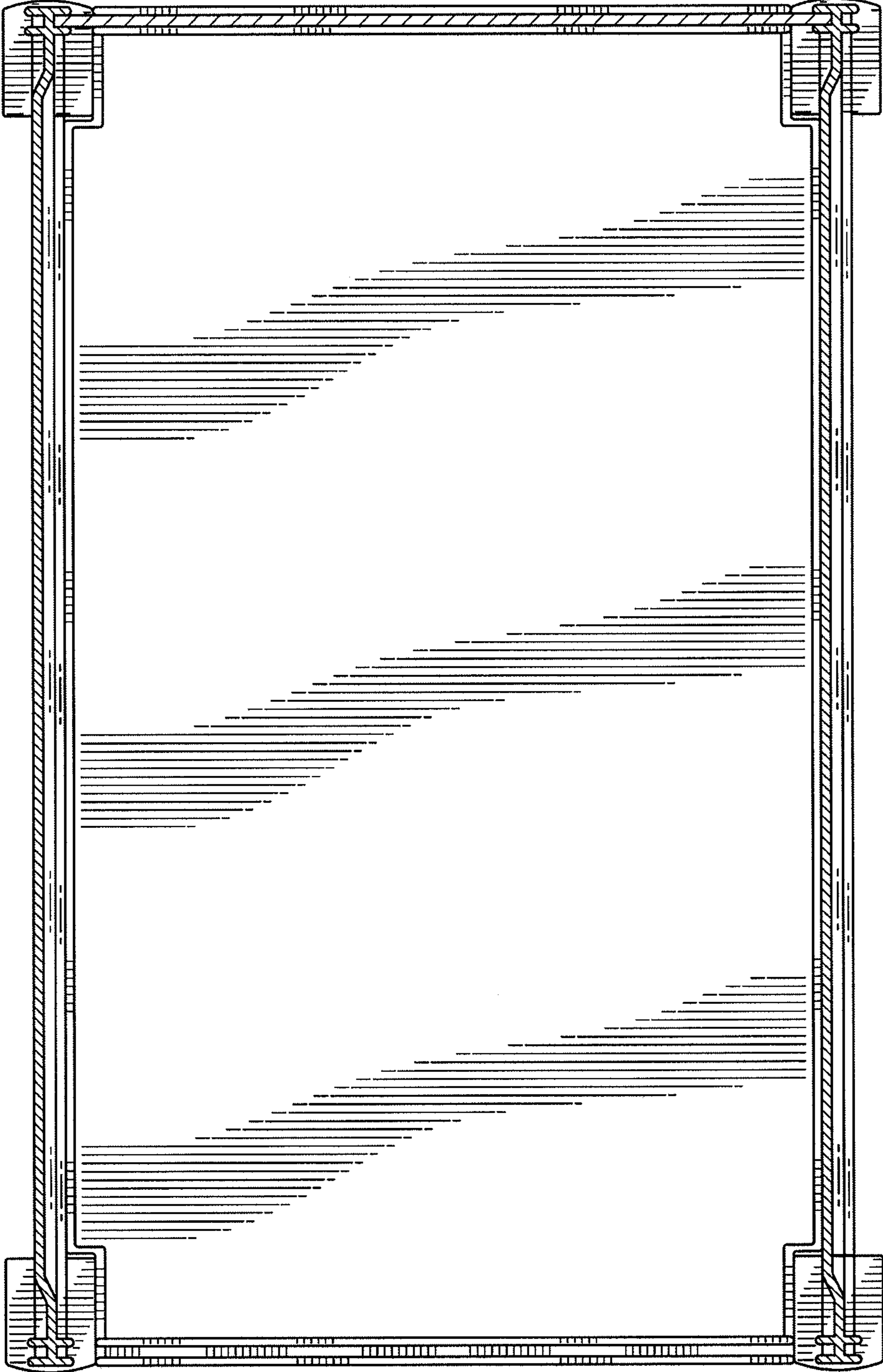


FIG. 6

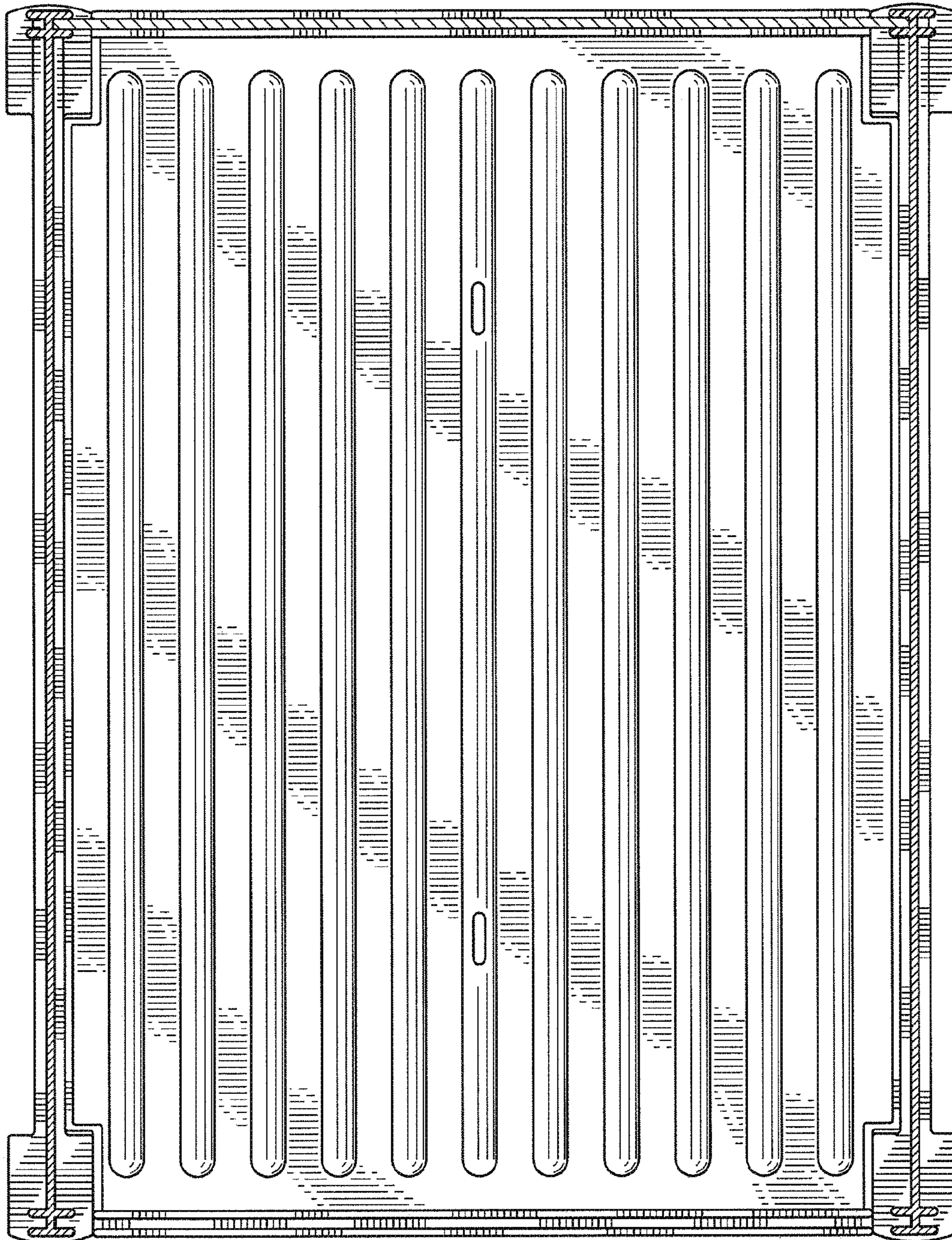


FIG. 7

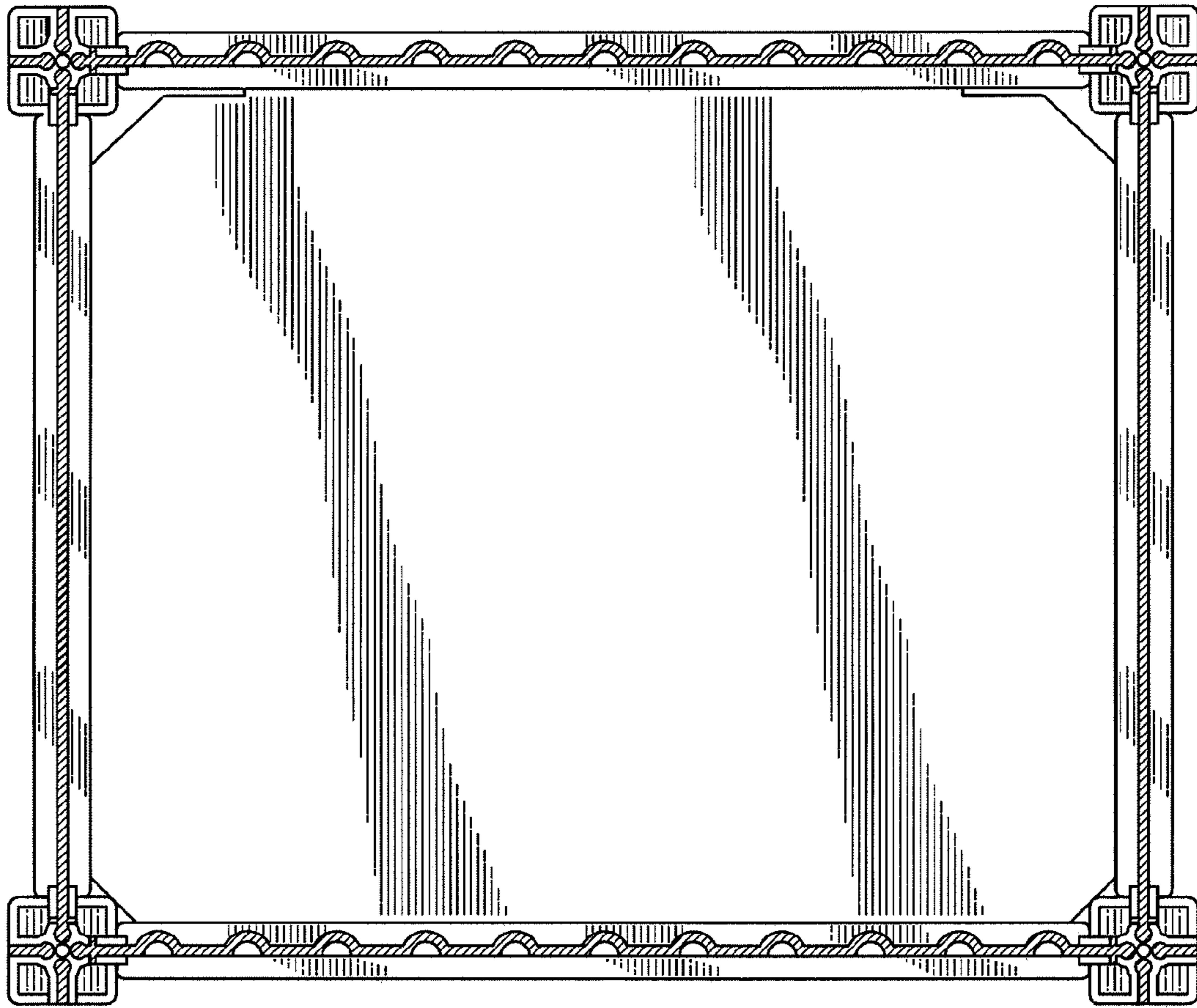


FIG. 8

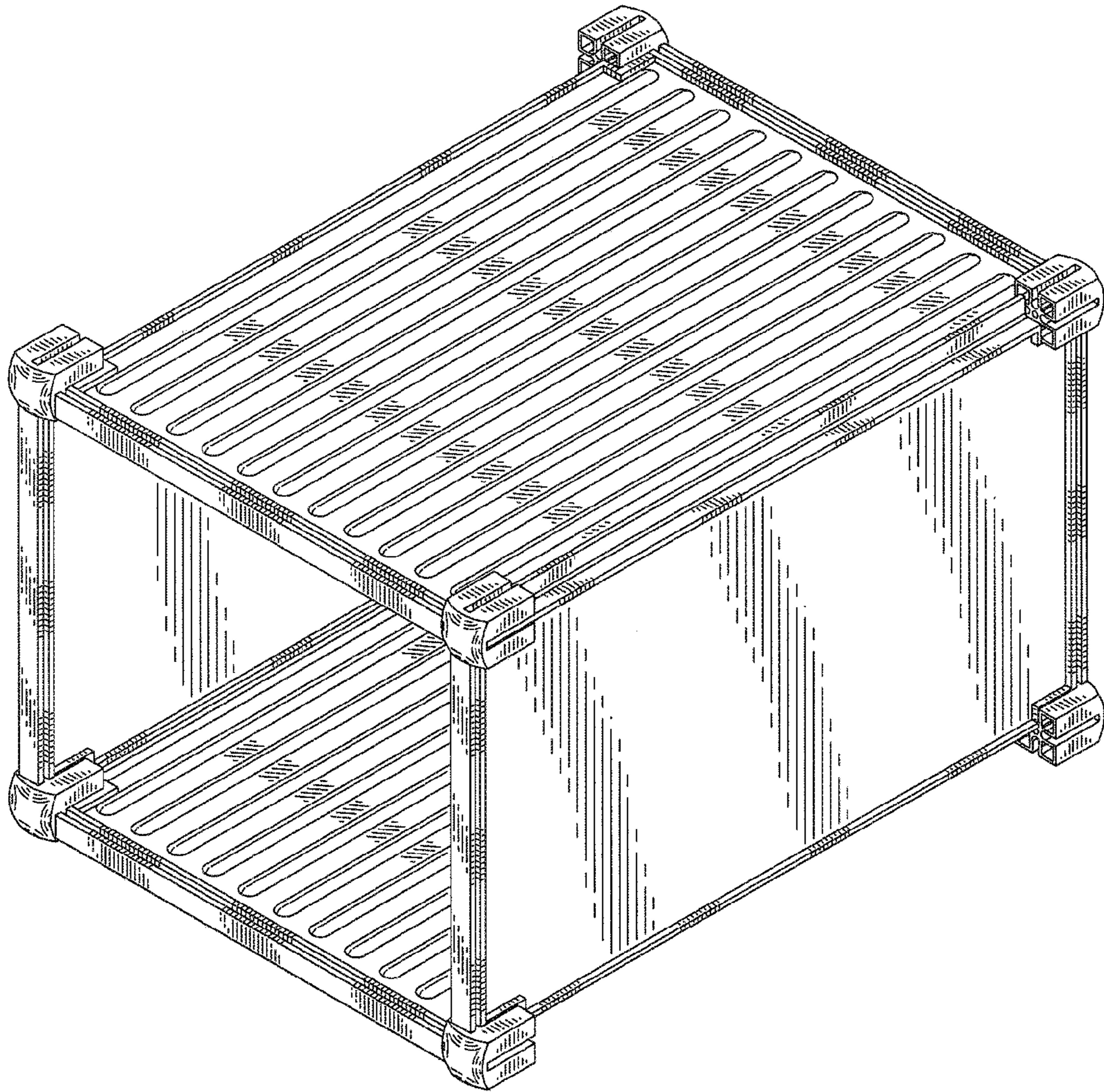


FIG. 9

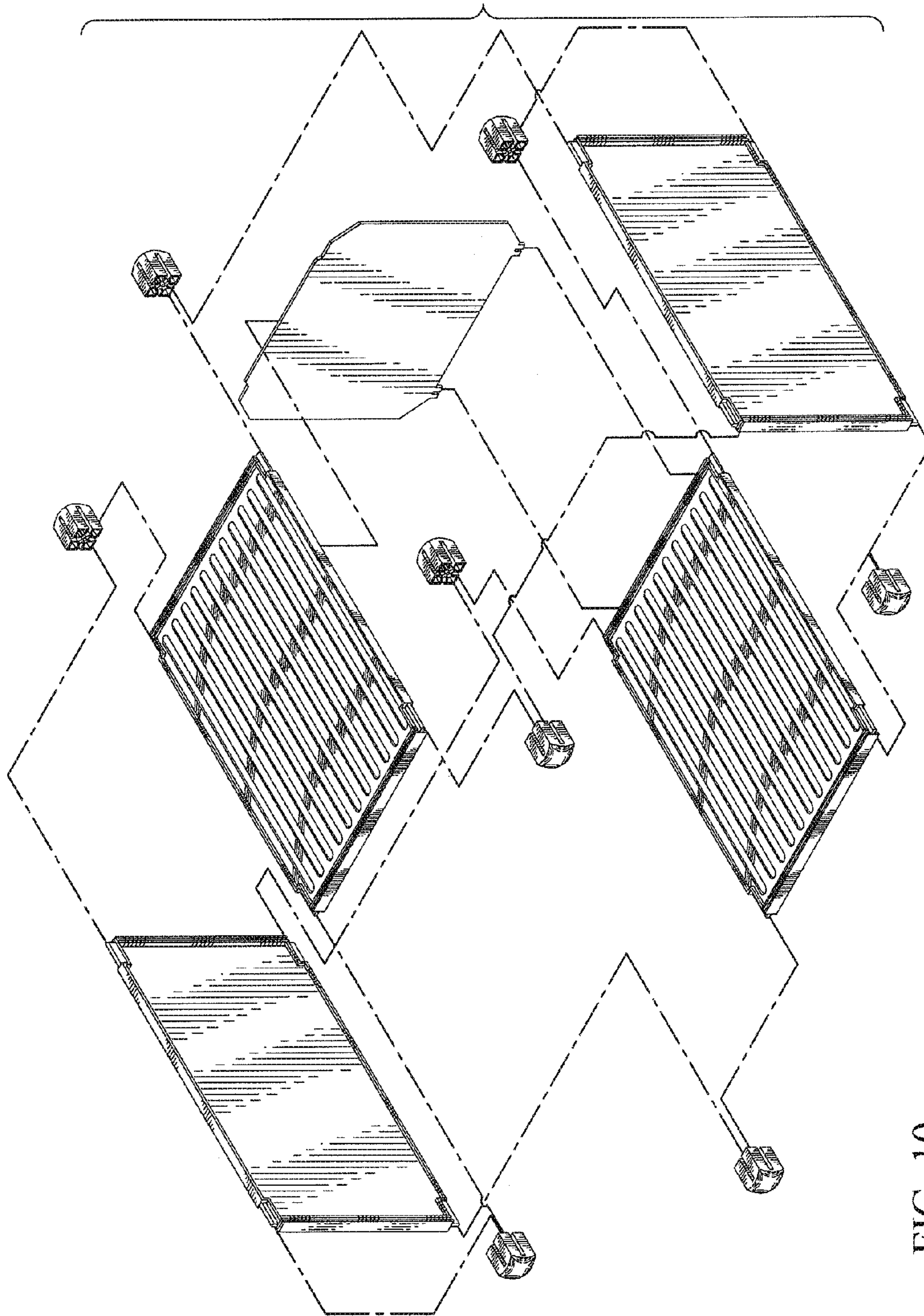


FIG. 10

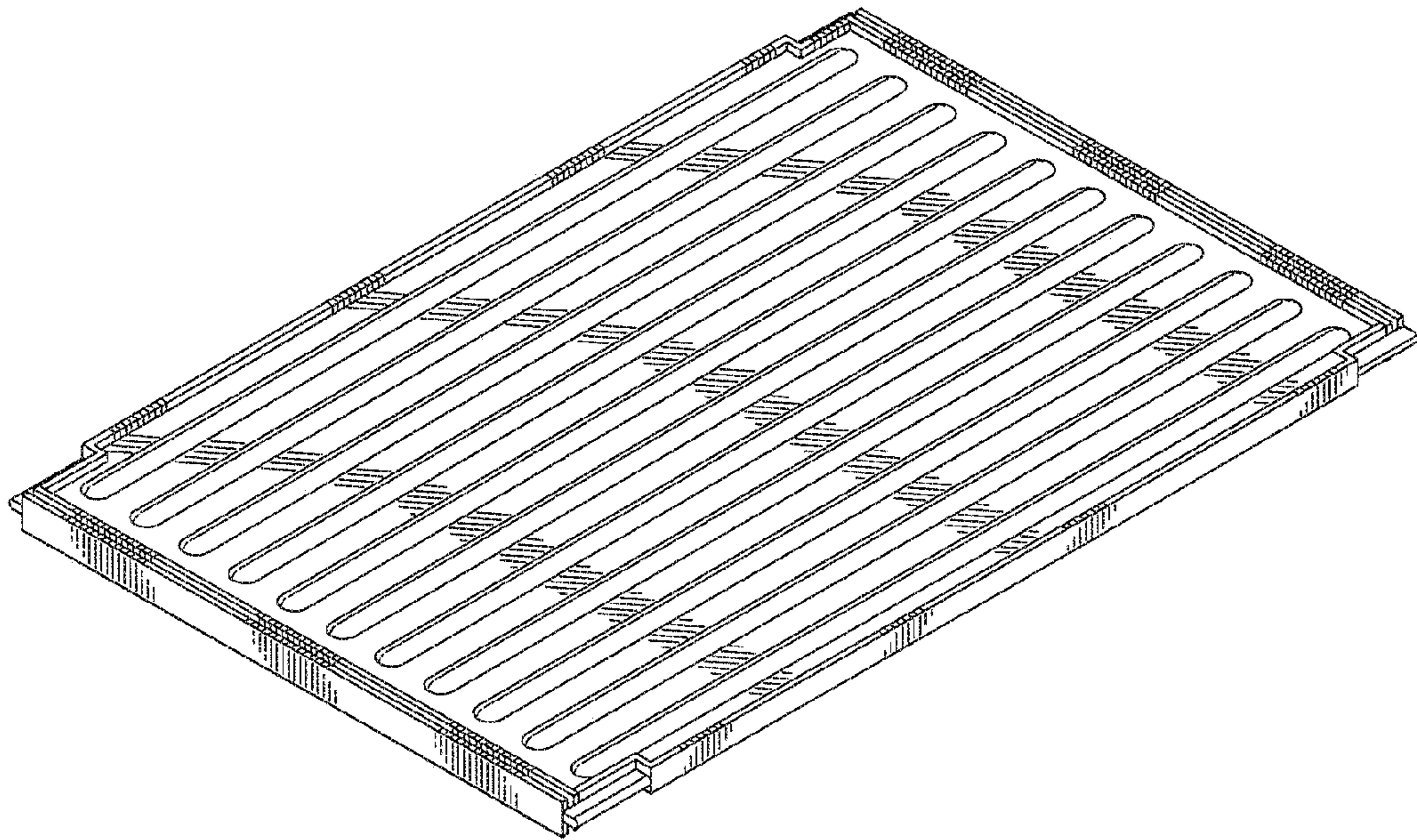


FIG. 11

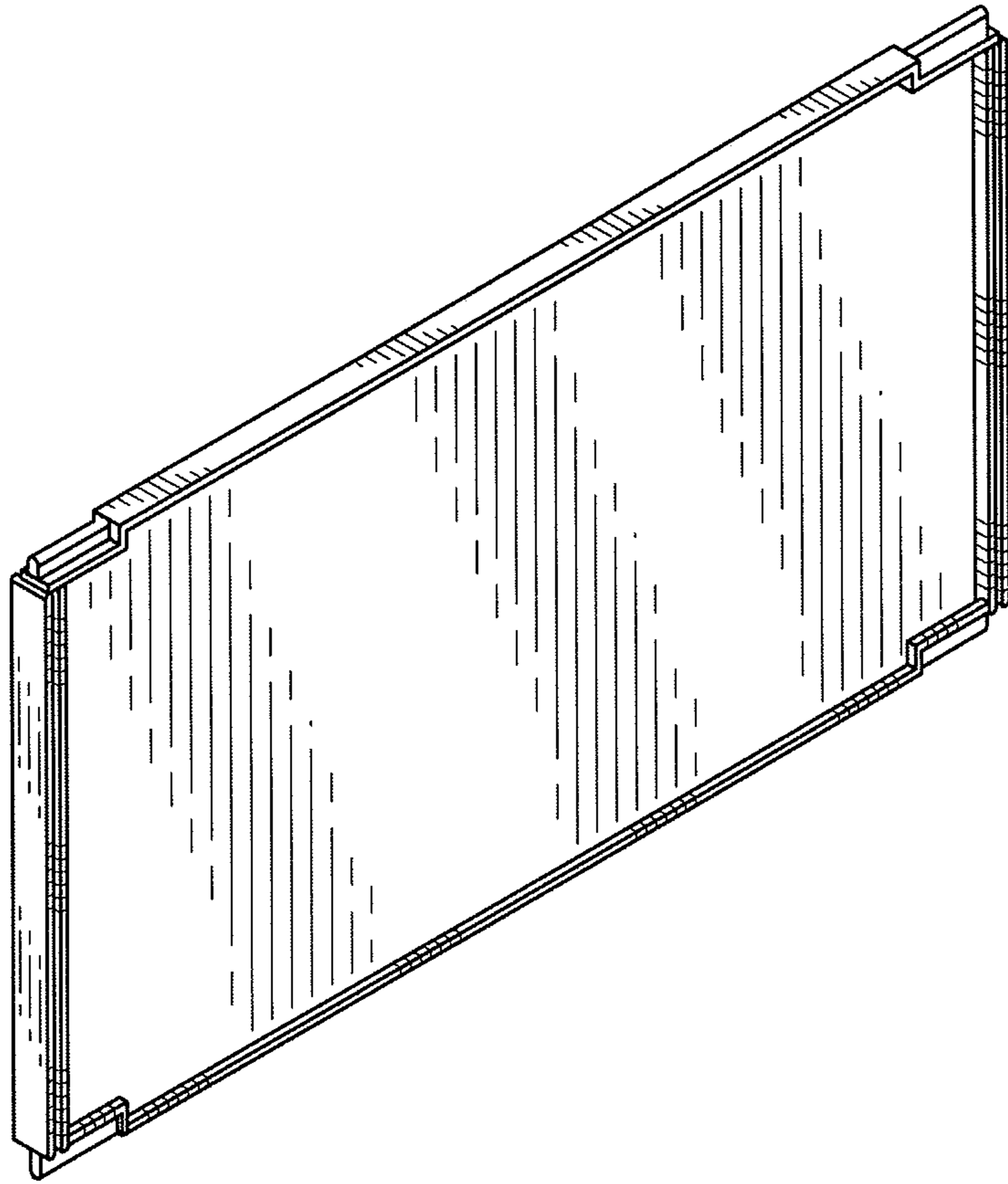


FIG. 12

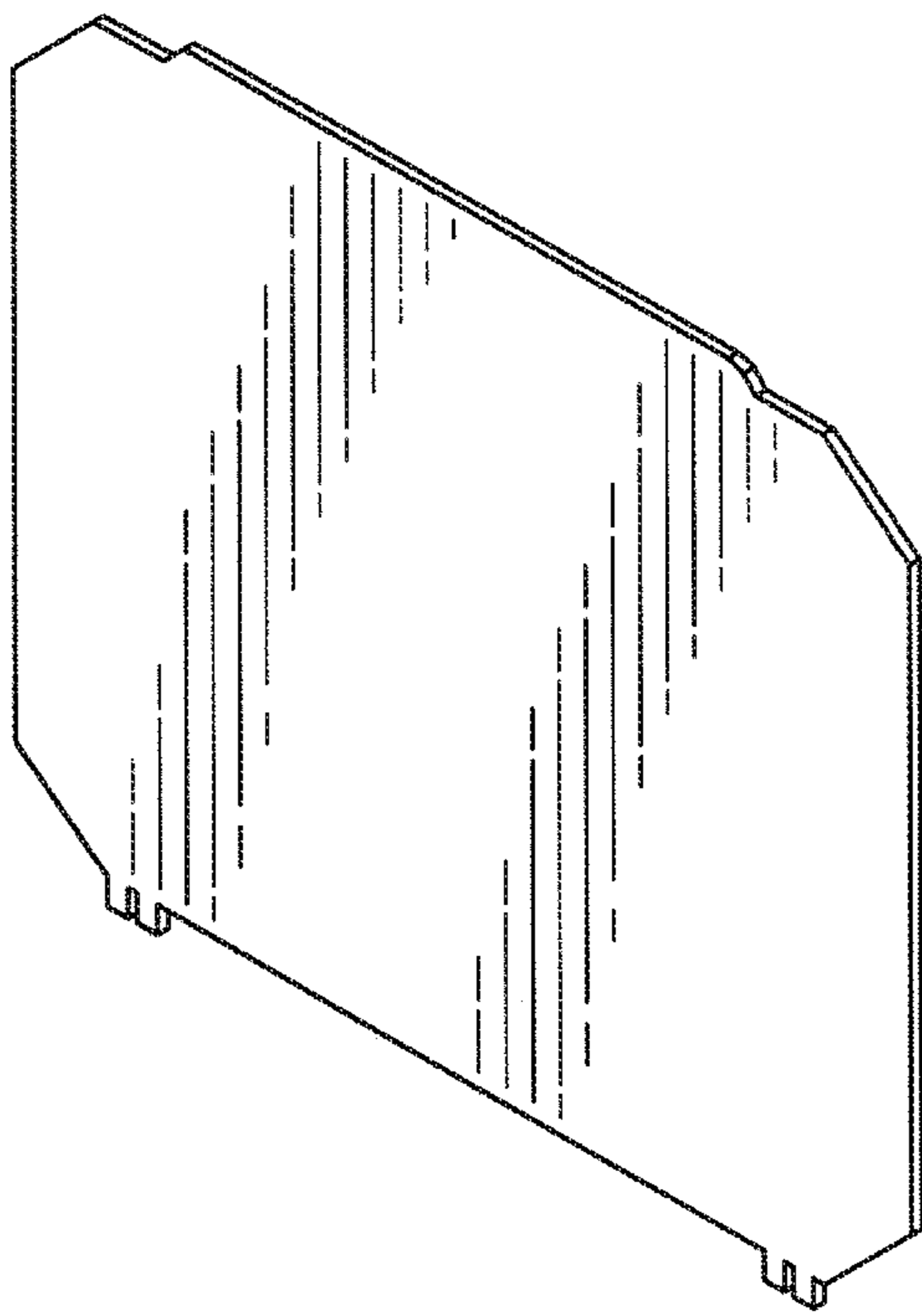


FIG. 13

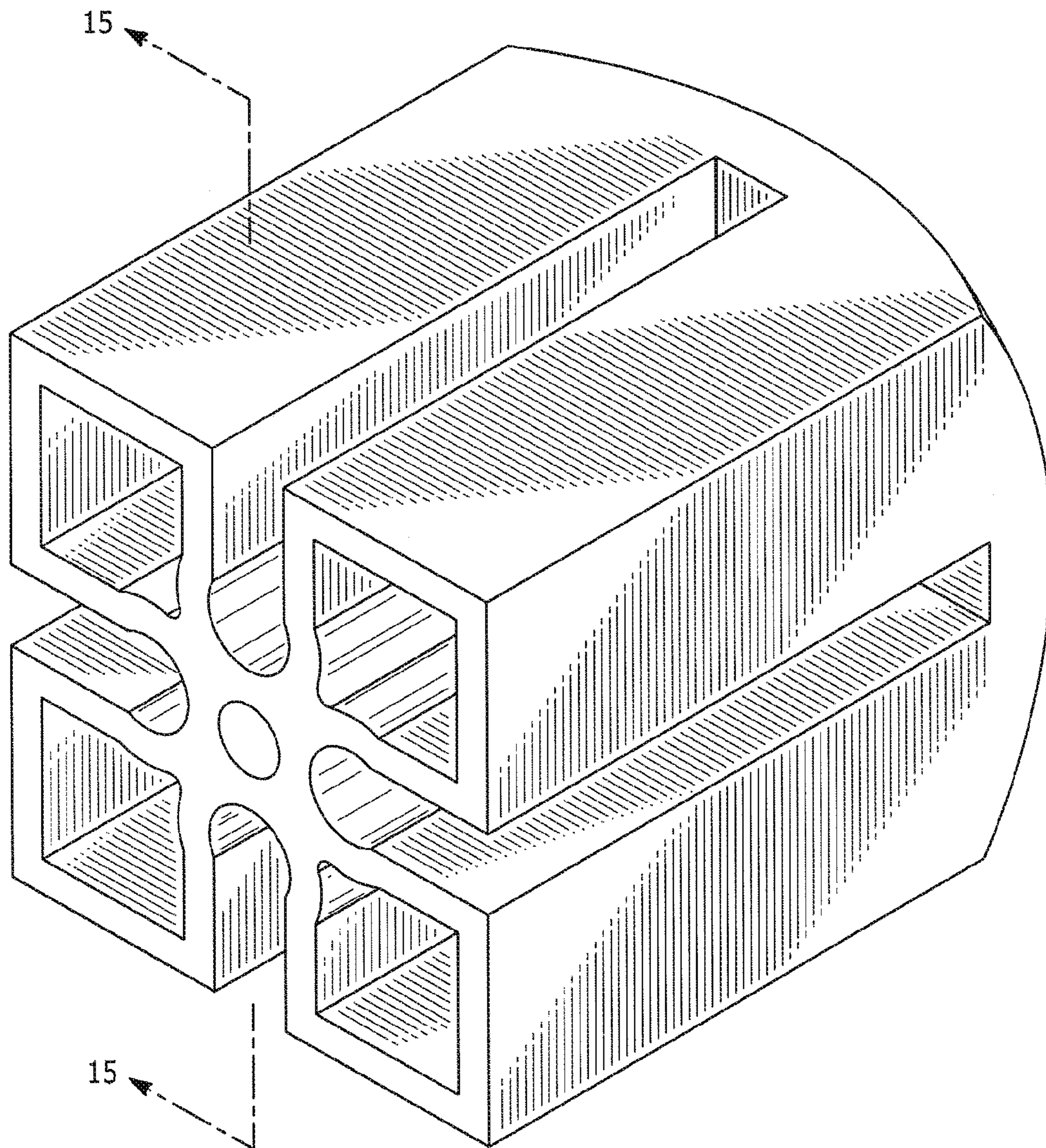


FIG. 14

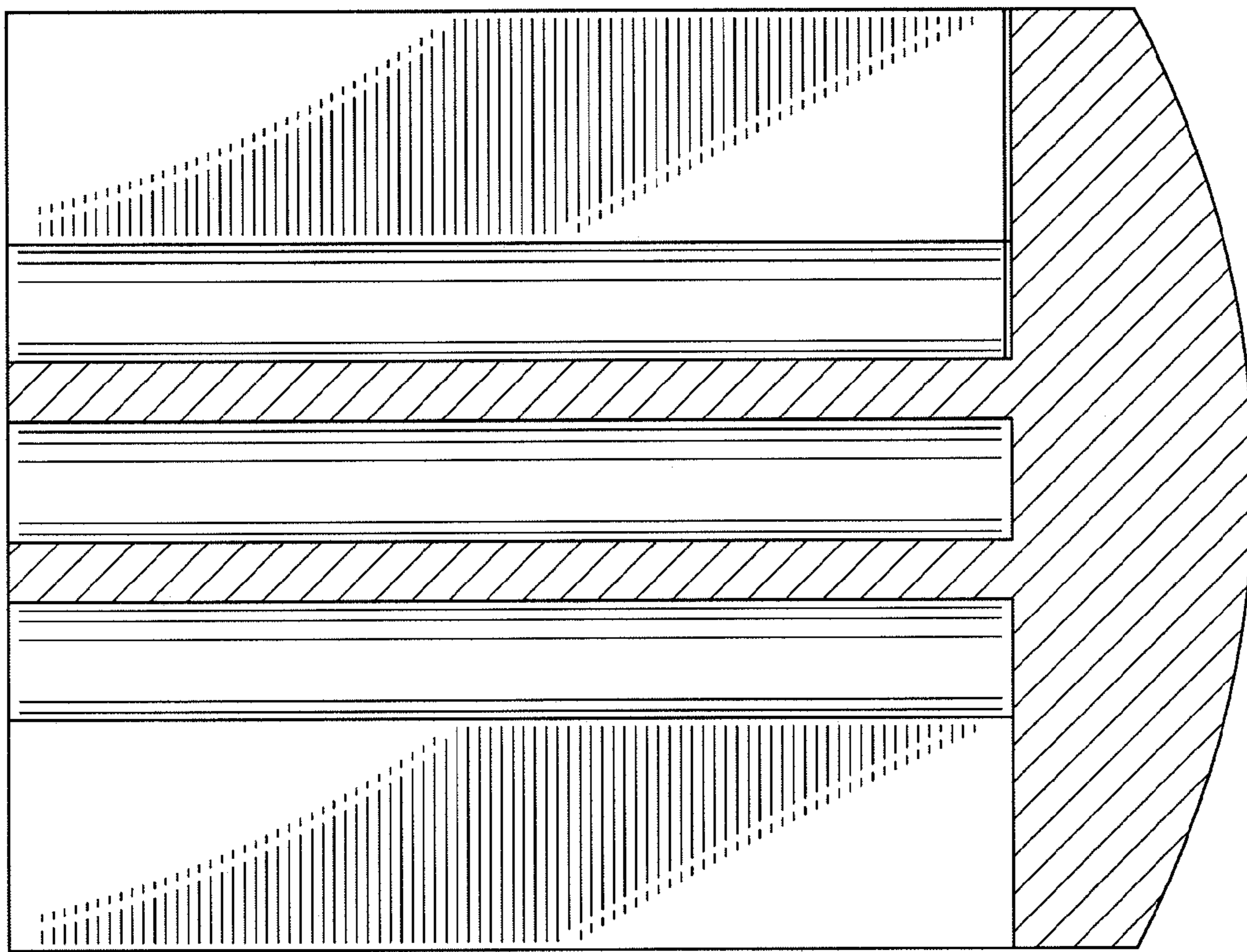


FIG. 15

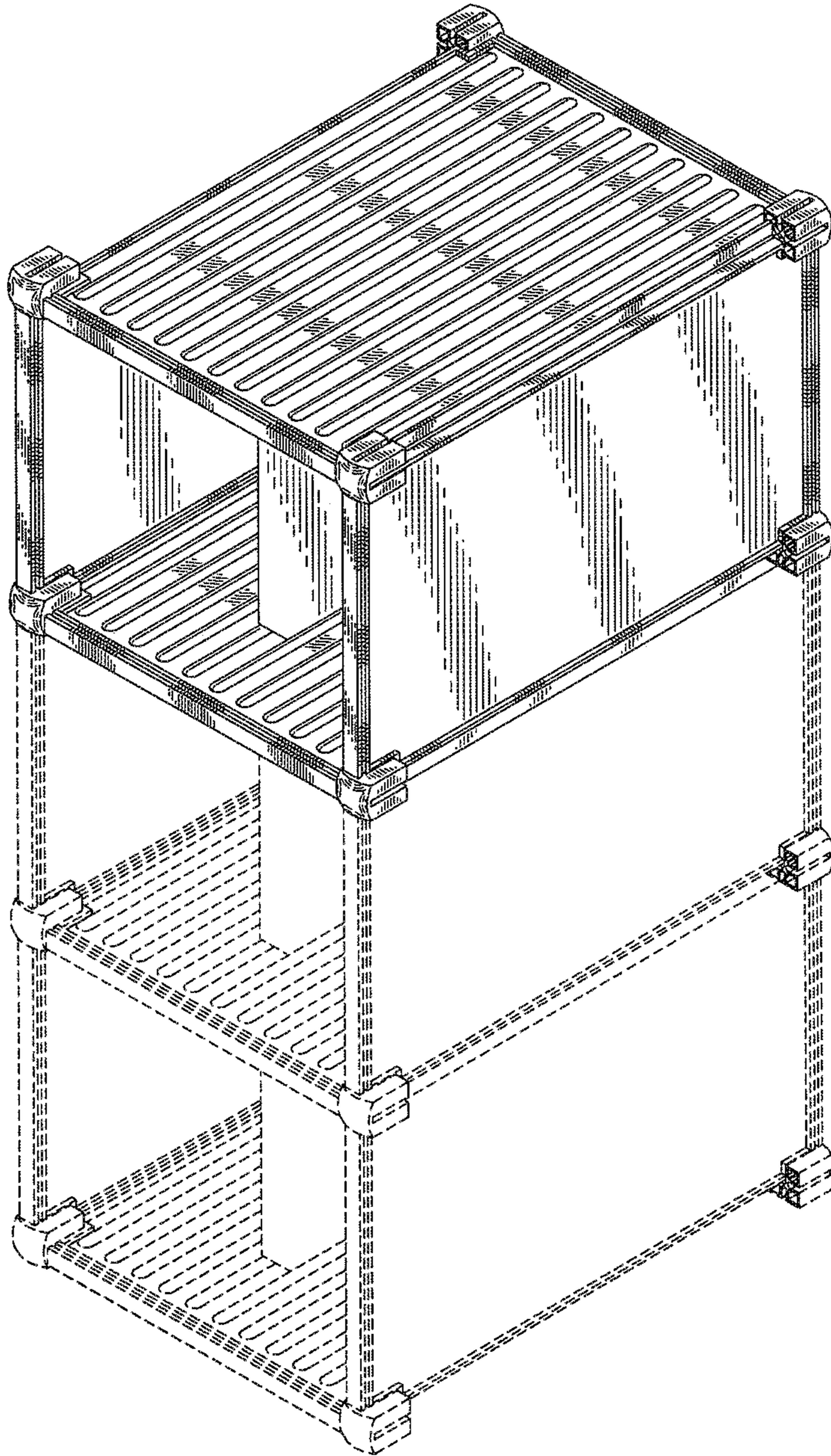


FIG. 16

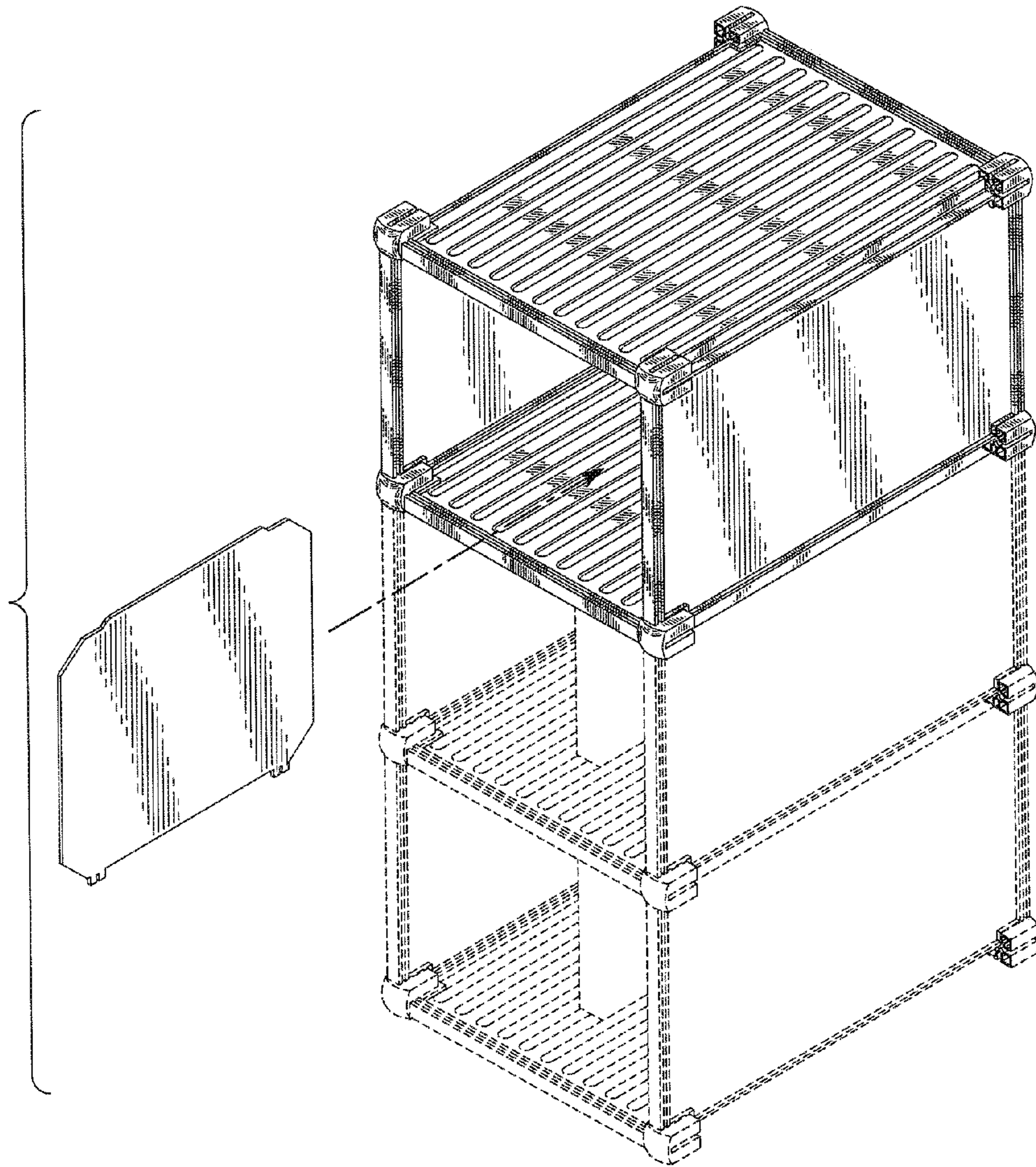


FIG. 17

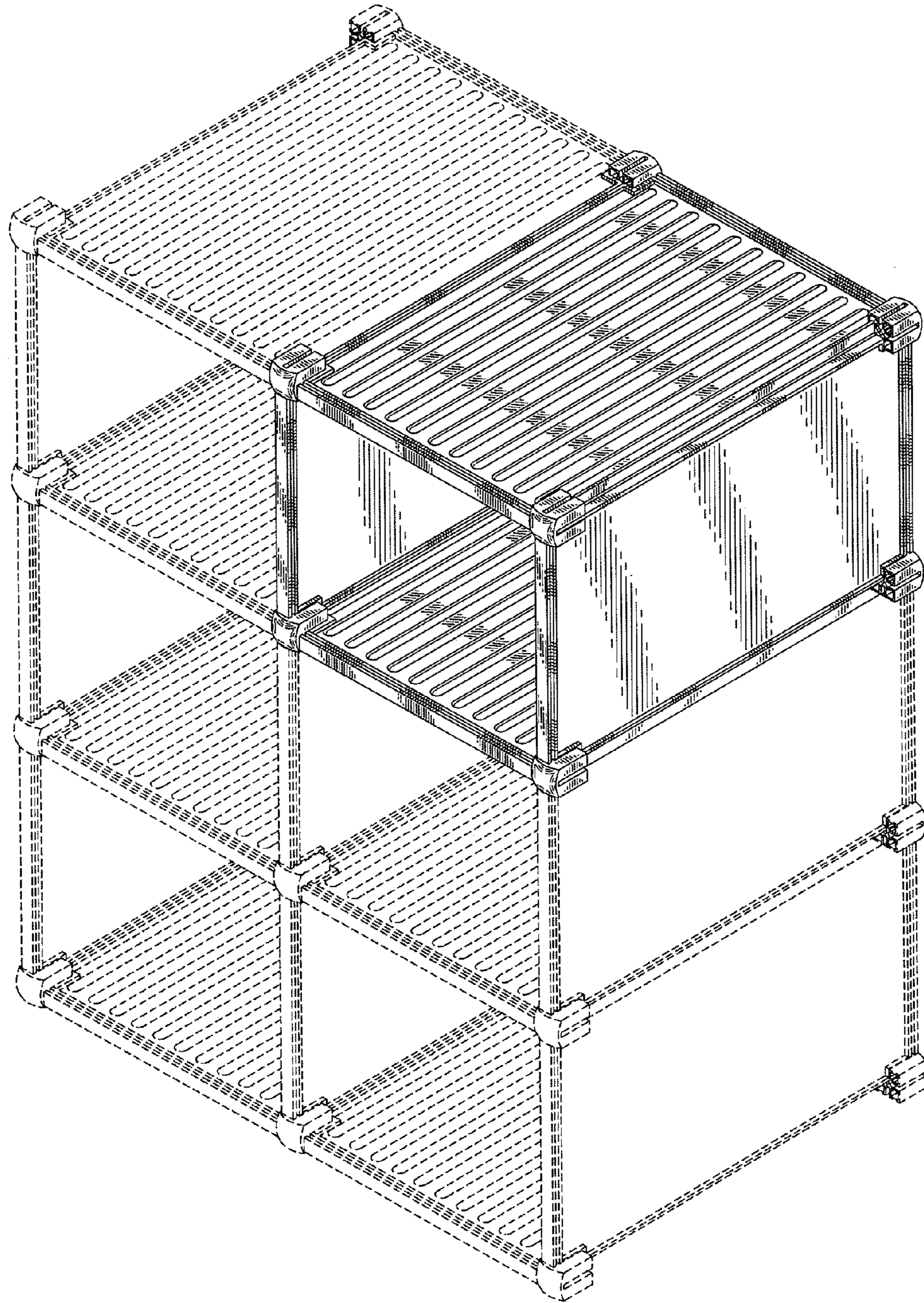


FIG. 18