



US00D773862S

(12) **United States Design Patent**  
**Davis et al.**

(10) **Patent No.:** **US D773,862 S**

(45) **Date of Patent:** **\*\* Dec. 13, 2016**

(54) **CONSOLE WITH TELEVISION MOUNT**

(71) Applicant: **WALKER EDISON FURNITURE COMPANY, LLC**, Salt Lake City, UT (US)

(72) Inventors: **Matthew Davis**, Murray, UT (US);  
**Brad Bonham**, Draper, UT (US)

(73) Assignee: **WALKER EDISON FURNITURE COMPANY, LLC**, Salt Lake City, UT (US)

(\*\*) Term: **15 Years**

(21) Appl. No.: **29/543,414**

(22) Filed: **Oct. 23, 2015**

(51) **LOC (10) Cl.** ..... **06-04**

(52) **U.S. Cl.**  
USPC ..... **D6/661**

(58) **Field of Classification Search**  
USPC ..... D6/514, 657, 661, 663, 668.1, 668.2,  
D6/669, 671, 671.1, 672, 675.1, 678.2;  
312/118, 138.1; 108/92; 211/135;  
248/176.3

CPC ..... A47B 47/0075; A47B 47/00091;  
A47B 45/00; A47B 65/00; A47B 65/10;  
A47B 67/00; A47B 81/06; A47B 96/04

See application file for complete search history.

(56) **References Cited**

**U.S. PATENT DOCUMENTS**

|            |   |         |           |       |          |
|------------|---|---------|-----------|-------|----------|
| D499,274 S | * | 12/2004 | Juneau    | ..... | D6/657   |
| D543,728 S | * | 6/2007  | Becker    | ..... | D6/661   |
| D548,488 S | * | 8/2007  | Weatherly | ..... | D6/661   |
| D560,396 S | * | 1/2008  | Weatherly | ..... | D6/661   |
| D562,597 S | * | 2/2008  | Weatherly | ..... | D6/671.1 |
| D593,776 S | * | 6/2009  | Sexton    | ..... | D6/678.2 |

|                 |   |         |                 |       |                         |
|-----------------|---|---------|-----------------|-------|-------------------------|
| D618,015 S      | * | 6/2010  | Sexton          | ..... | D6/678.2                |
| D640,072 S      | * | 6/2011  | Sexton          | ..... | D6/678.2                |
| D653,051 S      | * | 1/2012  | Lin             | ..... | D6/661                  |
| D655,946 S      | * | 3/2012  | Sexton          | ..... | D6/661                  |
| D687,250 S      | * | 8/2013  | Weatherly       | ..... | D6/661                  |
| D717,081 S      | * | 11/2014 | Dworman         | ..... | D6/657                  |
| D719,384 S      | * | 12/2014 | Sowers          | ..... | D6/678.2                |
| D738,647 S      | * | 9/2015  | Muller          | ..... | D6/669                  |
| D741,630 S      | * | 10/2015 | Meissner        | ..... | D6/675.1                |
| D742,662 S      | * | 11/2015 | Muller          | ..... | D6/669                  |
| D753,930 S      | * | 4/2016  | Vengadakrishnan | ..... | D6/514                  |
| D758,766 S      | * | 6/2016  | Kirar           | ..... | D6/668.2                |
| 2007/0236111 A1 | * | 10/2007 | Gray            | ..... | A47B 96/02<br>312/138.1 |
| 2011/0079688 A1 | * | 4/2011  | Grove           | ..... | F16M 11/08<br>248/176.3 |

\* cited by examiner

*Primary Examiner* — Manpreet Matharu

*Assistant Examiner* — Keith Wilson

(74) *Attorney, Agent, or Firm* — Workman Nydegger

(57) **CLAIM**

The ornamental design for a console with television mount, as shown and described.

**DESCRIPTION**

FIG. 1 is a front perspective view of a console with television mount;

FIG. 2 is a rear perspective view thereof;

FIG. 3 is a front elevational view thereof;

FIG. 4 is a rear elevational view thereof;

FIG. 5 is a left elevational view thereof;

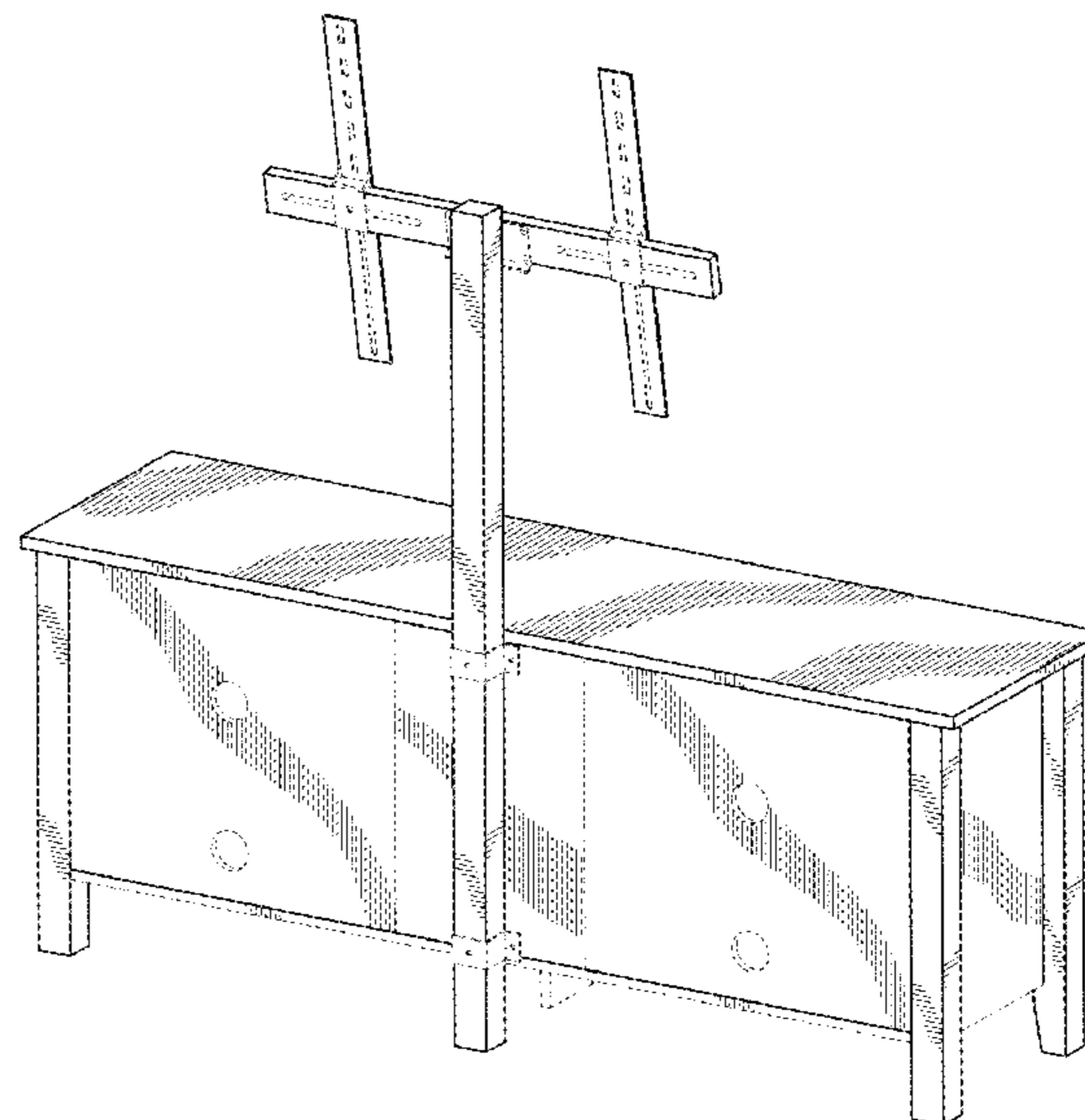
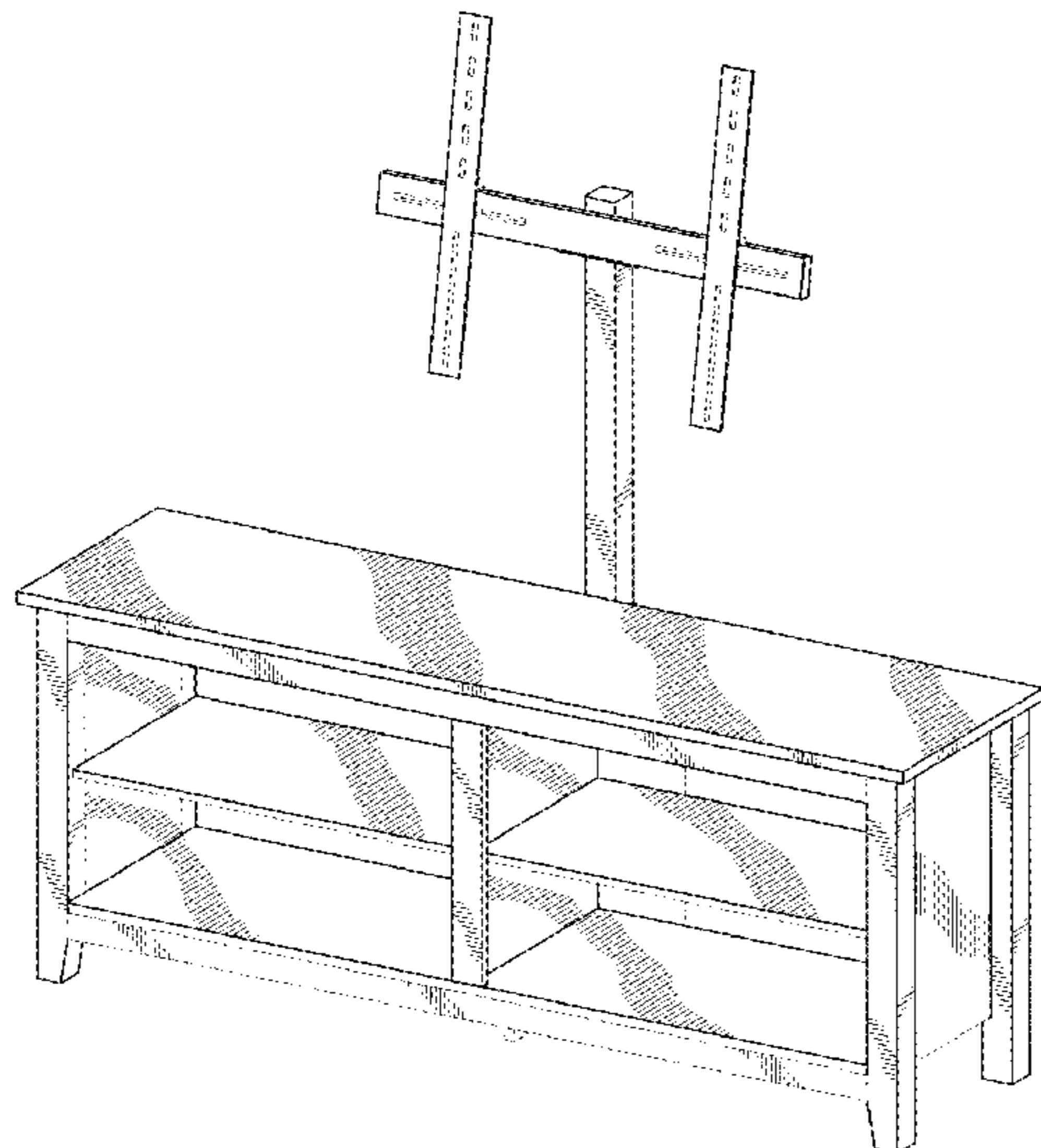
FIG. 6 is a right elevational view thereof;

FIG. 7 is a top plan view thereof; and,

FIG. 8 is a bottom plan view thereof.

The broken lines shown in the drawings illustrate portions of the console with television mount that form no part of the claimed design.

**1 Claim, 6 Drawing Sheets**



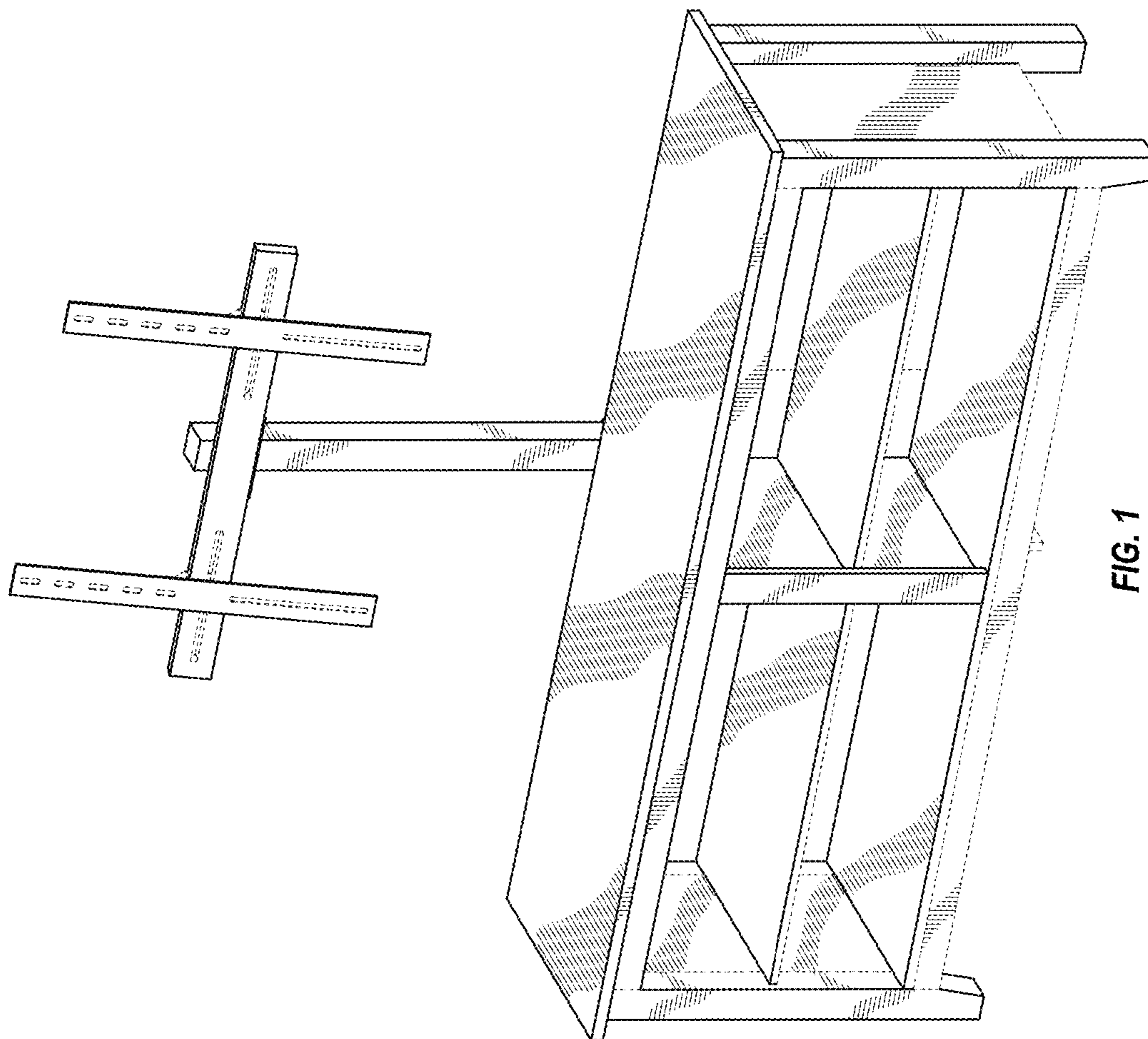


FIG. 1

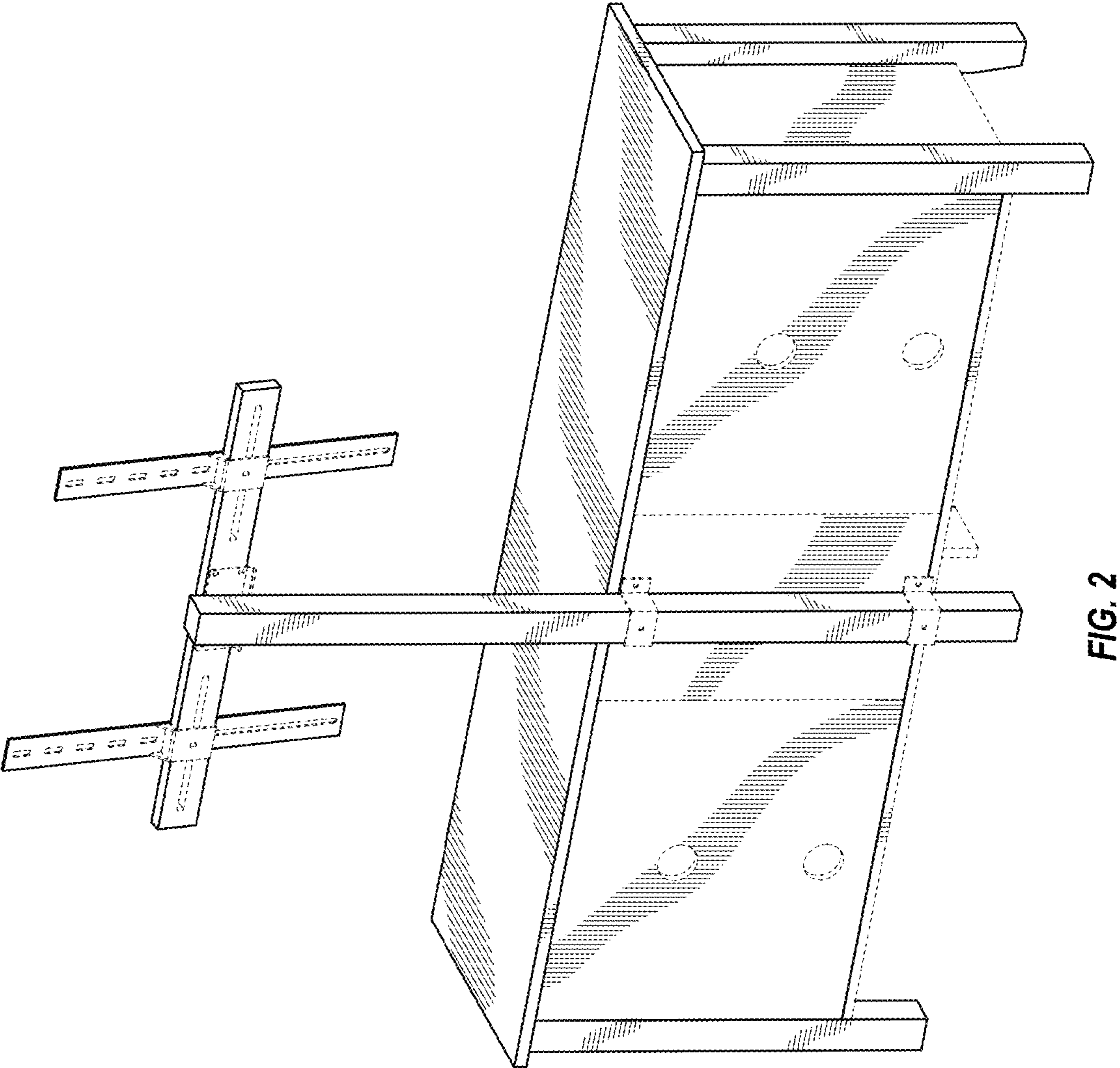


FIG. 2

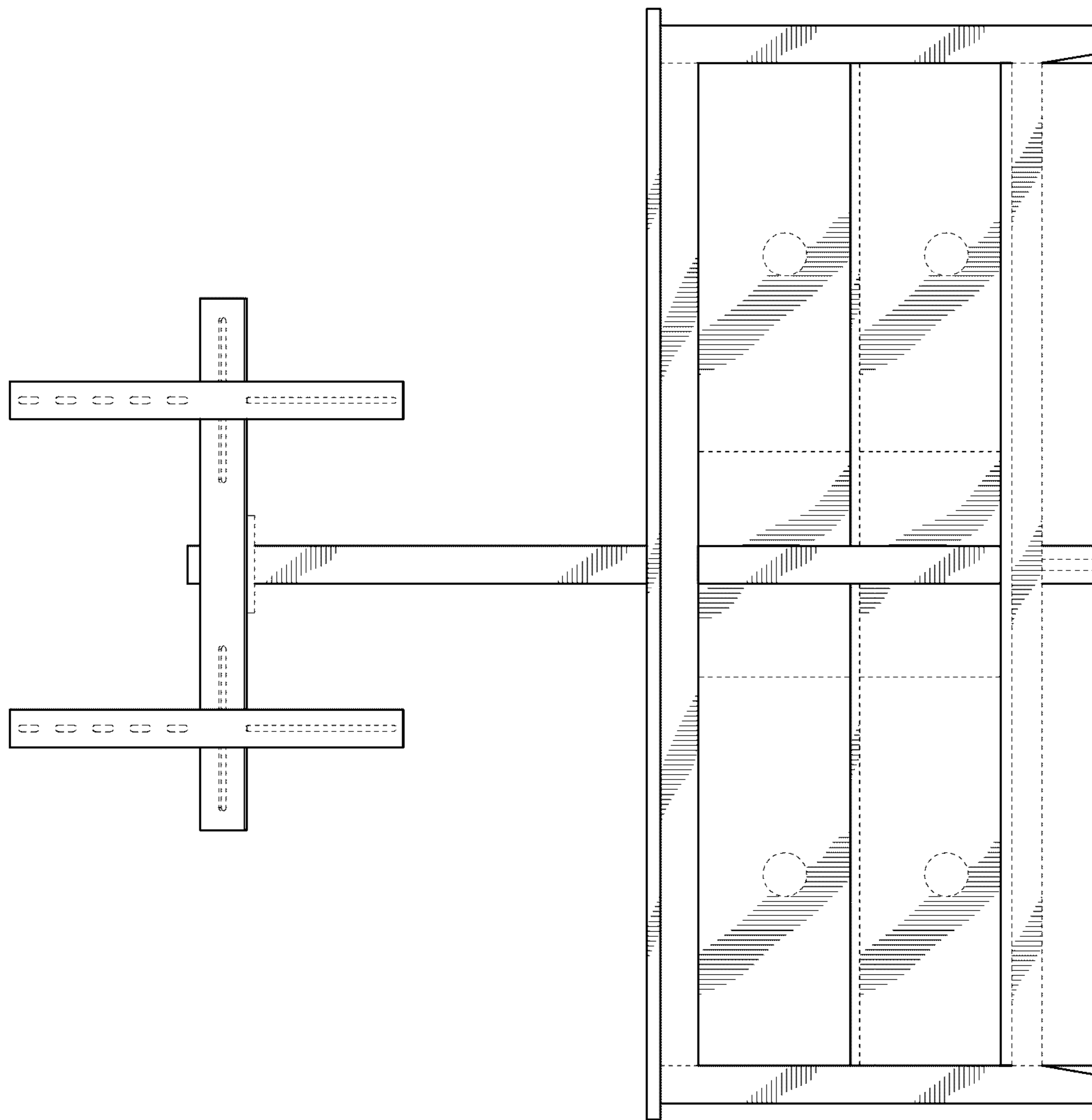


FIG. 3

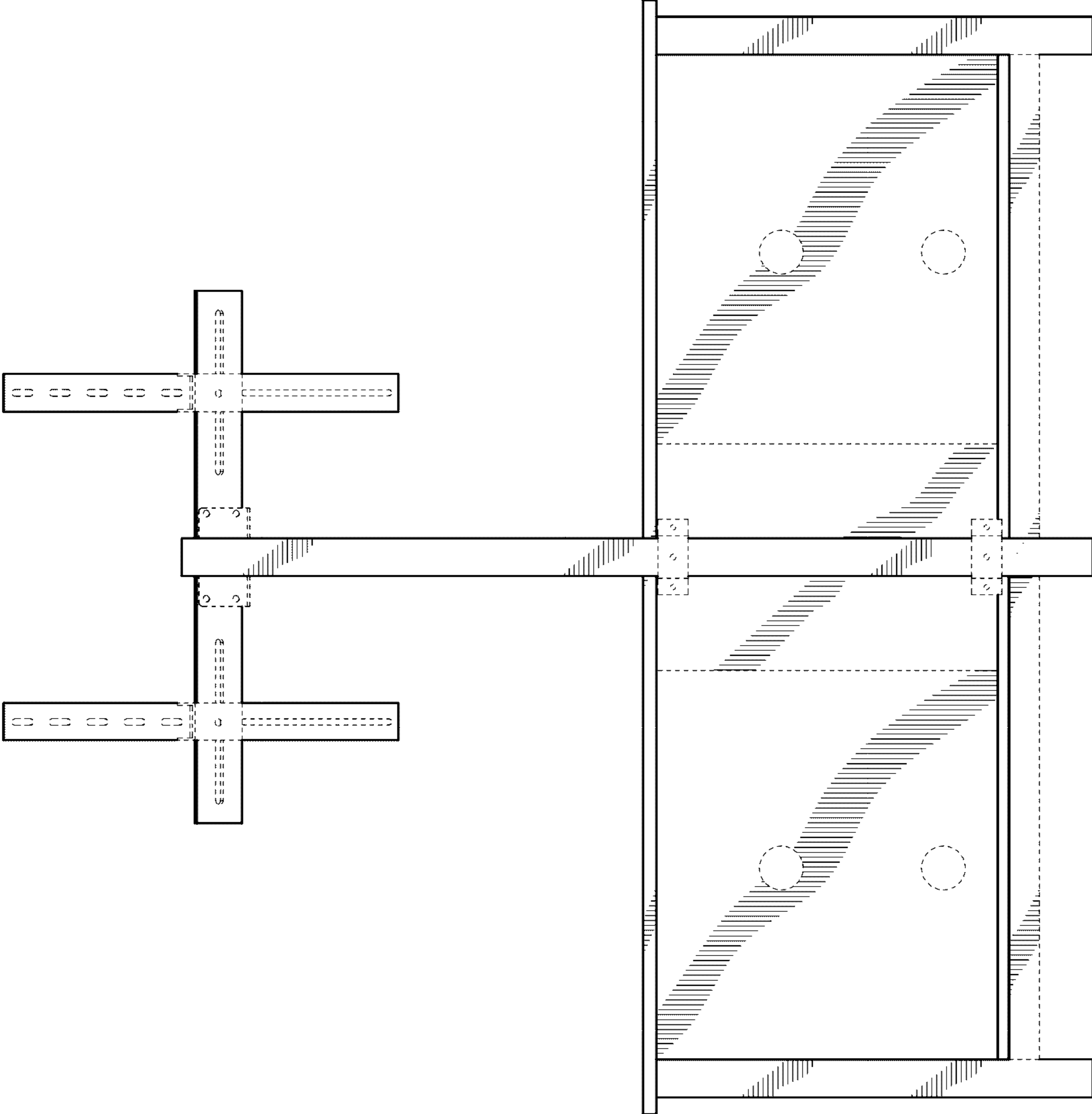


FIG. 4

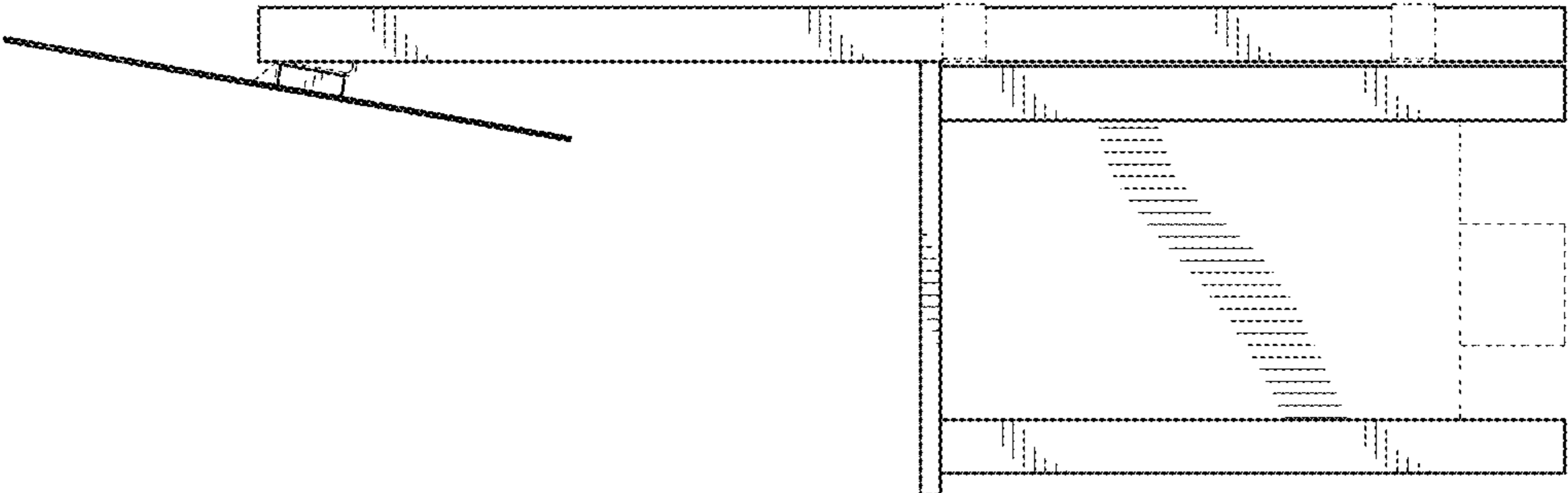


FIG. 6

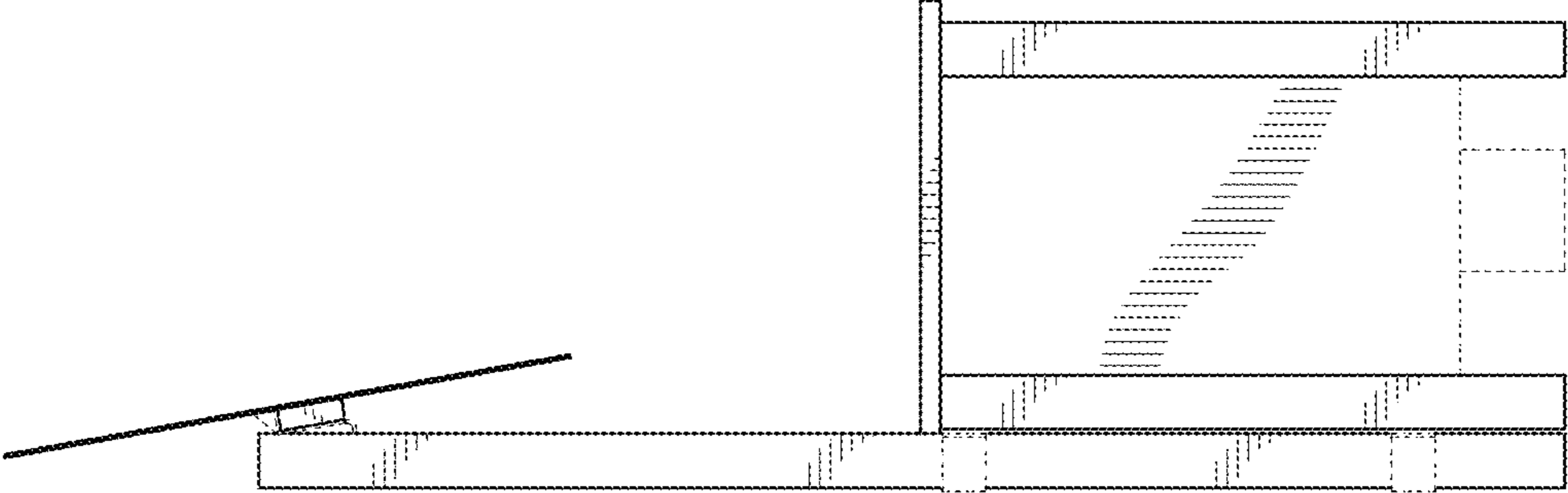


FIG. 5

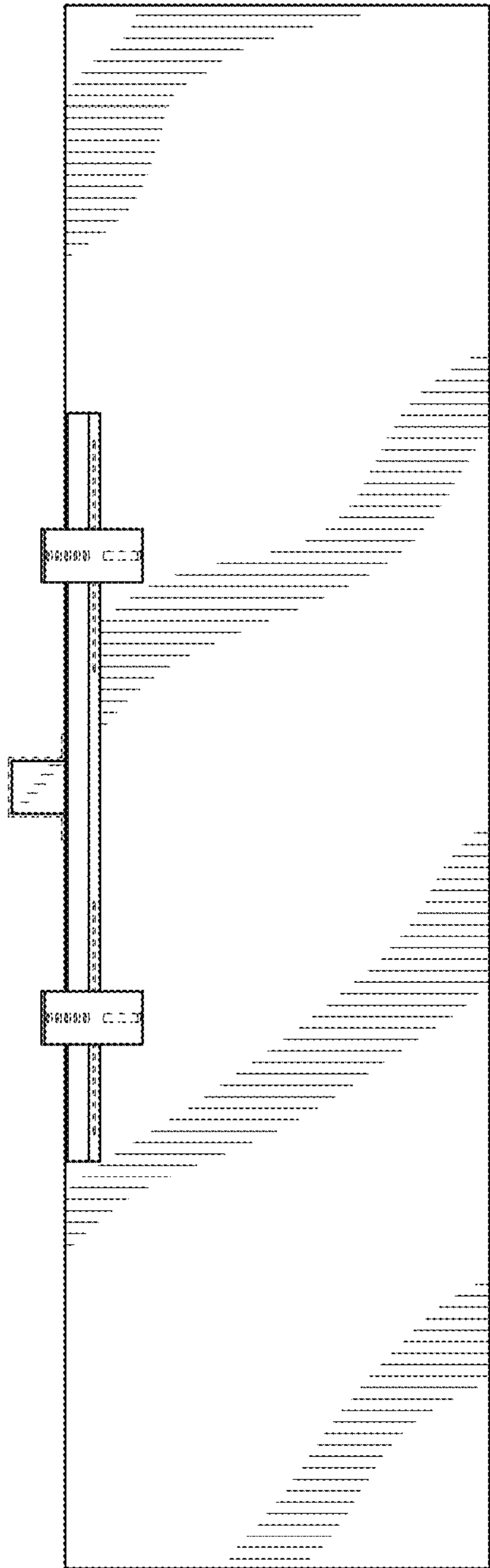


FIG. 7

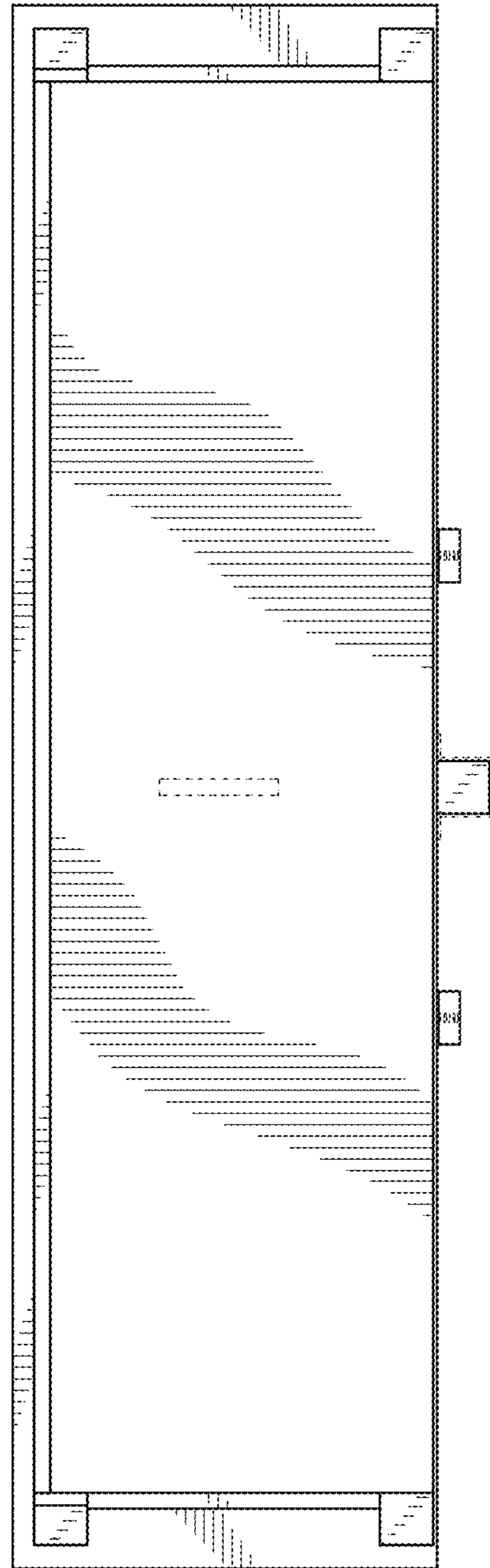


FIG. 8