



US00D773858S

(12) **United States Design Patent**
Takashima

(10) **Patent No.:** **US D773,858 S**

(45) **Date of Patent:** **** Dec. 13, 2016**

- (54) **PILLOW**
- (71) Applicant: **Takashima Co., Ltd**, Osaka (JP)
- (72) Inventor: **Hisato Takashima**, Osaka (JP)
- (73) Assignee: **Hisato Takashima** (JP)
- (**) Term: **15 Years**
- (21) Appl. No.: **29/537,435**
- (22) Filed: **Aug. 26, 2015**
- (30) **Foreign Application Priority Data**
Feb. 27, 2015 (JP) 2015-004116
- (51) **LOC (10) Cl.** **06-09**
- (52) **U.S. Cl.**
USPC **D6/601**
- (58) **Field of Classification Search**
USPC D6/333, 349, 355, 375, 388, 512, 563,
D6/564, 595, 596, 601, 604, 611, 707,
D6/715, 716, 716.1; D24/183-185, 234;
D21/803, 804, 805, 809; 5/401, 420,
5/600, 630, 631, 632, 633, 635, 636,
5/638, 639, 646, 652, 652.1, 655, 703,
5/730; 297/1, 2, 4, 93, 180.11, 195.1,
297/195.11, 195.13, 393, 397,
297/452.12, 452.14, 452.15, 452.21,
297/452.24, 452.26, 452.48, 452.62, 482
CPC A47G 9/10; A47G 9/1009; A47G 9/1018;
A47G 9/1027; A47G 9/1036; A47G
9/1045; A47G 9/1063; A47G
9/1072; A47G 9/1081; A47G
9/109; A47C 7/021; A47C 27/00
See application file for complete search history.

(56) **References Cited**
U.S. PATENT DOCUMENTS

- 3,369,548 A * 2/1968 Moore A61G 13/121
5/637
- 4,447,922 A * 5/1984 Brochu A47D 1/103
297/391

- D295,248 S * 4/1988 Sommerfield D6/601
- 4,944,059 A * 7/1990 Wall A47C 20/025
5/631
- D316,354 S * 4/1991 Bool D6/601
- D321,562 S * 11/1991 Ljungvall 5/646
- D377,575 S * 1/1997 Lowrey, Jr. D6/354
- D386,035 S * 11/1997 Matsler D6/596
- D407,256 S * 3/1999 Backlund D6/601
- D417,568 S * 12/1999 Pike D6/333
- D456,659 S * 5/2002 Landvik D6/601
- D465,686 S * 11/2002 Hwong D6/601
- D466,749 S * 12/2002 O'Quinn D6/601
- D466,750 S * 12/2002 Landvik D6/601
- D477,492 S * 7/2003 Moody D6/601
- D541,058 S * 4/2007 Dykstra D6/333
- D542,071 S * 5/2007 Chan D6/601
- D550,971 S * 9/2007 McConnell D6/333
- D551,732 S * 9/2007 Peterson D21/803
- D553,865 S * 10/2007 Buitendach D6/333
- D595,986 S * 7/2009 Kloes D6/601
- D610,365 S * 2/2010 Young-il D6/364
- D610,853 S * 3/2010 Straub D6/601

(Continued)

Primary Examiner — Rosemary K Tarcza
Assistant Examiner — Sanjeev Paul
(74) *Attorney, Agent, or Firm* — Tarolli, Sundheim,
Covell & Tummino LLP

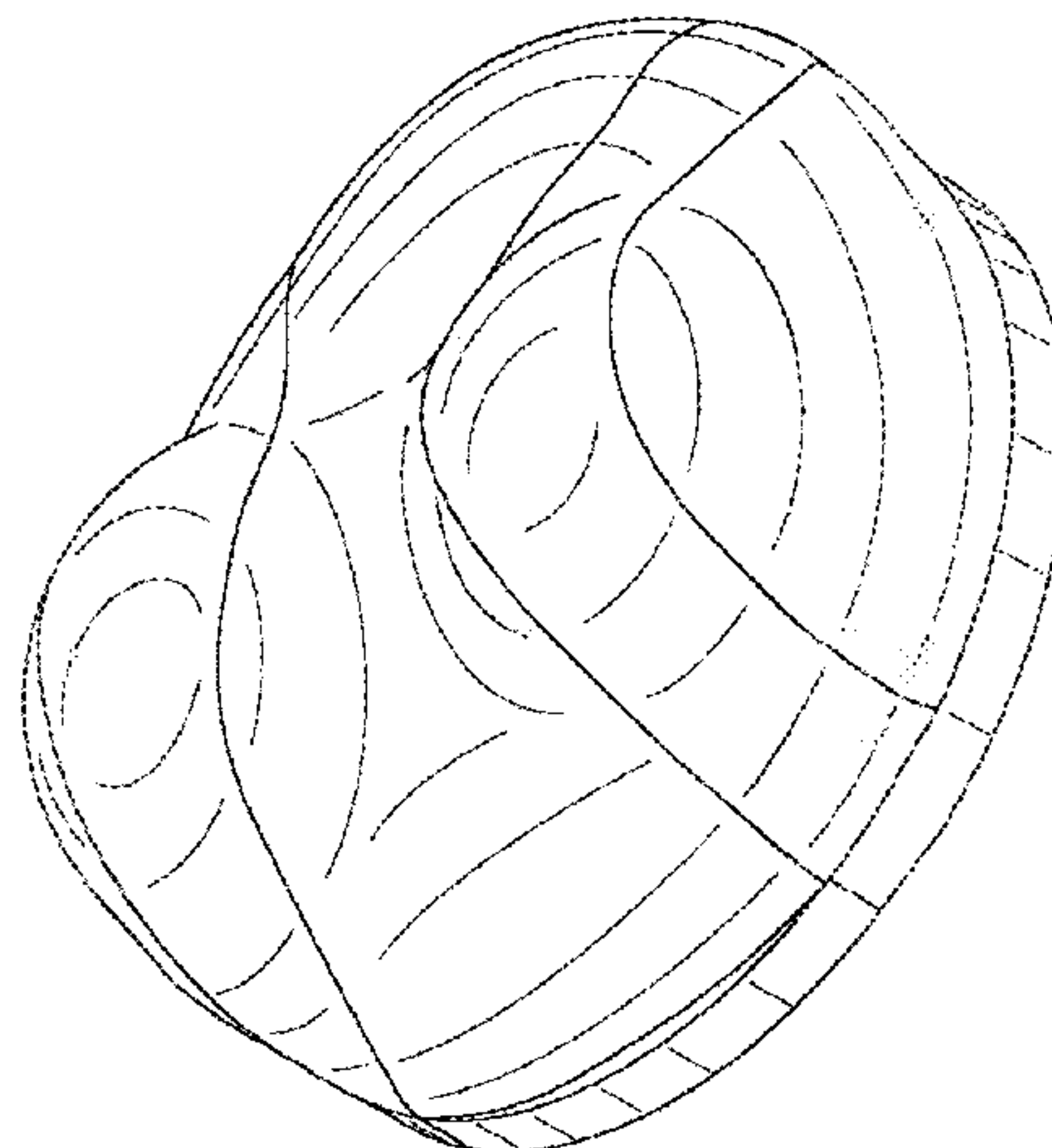
(57) **CLAIM**

The ornamental design for a pillow, as shown and described.

DESCRIPTION

FIG. 1 is a front, bottom, and right side perspective view of a pillow showing my new design;
FIG. 2 is a rear, top, and left side perspective view thereof;
FIG. 3 is a front view thereof;
FIG. 4 is a rearview thereof;
FIG. 5 is a top plan view thereof;
FIG. 6 is a bottom plan view thereof;
FIG. 7 is a left side view thereof, the right side view being a mirror image of FIG. 7; and,
FIG. 8 is a cross-sectional view taken along line 8-8 in FIG. 3.

1 Claim, 8 Drawing Sheets



(56)

References Cited

U.S. PATENT DOCUMENTS

D612,654 S *	3/2010	Eura	D6/601	D718,074 S *	11/2014	Savolainen	D6/601
D616,237 S *	5/2010	Ydremark	D6/601	8,910,330 B1 *	12/2014	Malik	A47G 9/109 5/636
D622,515 S *	8/2010	Nadeau	D6/333	D722,449 S *	2/2015	Krishtul	D6/601
D628,845 S *	12/2010	Guner	D6/601	D725,407 S *	3/2015	McCracken	D6/601
7,891,033 B2 *	2/2011	Loewenthal	A61G 5/1043 297/452.21	D727,645 S *	4/2015	Zink	D6/333
D637,439 S *	5/2011	Mettler	D6/601	D733,462 S *	7/2015	Pellegrini	D6/601
D642,846 S *	8/2011	Parish	D6/601	D734,545 S *	7/2015	Cantu	D28/57
D656,749 S *	4/2012	Bergkvist	D6/333	D734,546 S *	7/2015	Baker	D28/57
D670,090 S *	11/2012	Miucci	D6/349	D741,621 S *	10/2015	Van Grieken	D6/601
D686,684 S *	7/2013	Wolfenbarger	D21/803	D744,262 S *	12/2015	Waugh	D6/601
D687,638 S *	8/2013	Beda	D6/333	2009/0145442 A1 *	6/2009	Hecox	A47G 9/1009 128/845
D690,016 S *	9/2013	Ratner	D24/184	2012/0186025 A1 *	7/2012	Kardos	A47C 7/425 5/655.9
D695,030 S *	12/2013	Buitendag	D6/333	2013/0340171 A1 *	12/2013	Oberst	A61G 7/075 5/630
D698,448 S *	1/2014	Heck	D24/191	2014/0263878 A1 *	9/2014	Moy	G06F 3/039 248/118
D700,786 S *	3/2014	Yeung	D6/333	2015/0238025 A1 *	8/2015	Babikian	A47C 1/12 297/250.1
D701,063 S *	3/2014	Myers	D6/601				
D702,459 S *	4/2014	Scarlett	D6/601				
D707,358 S *	6/2014	Mantilla	D24/184				

* cited by examiner

FIG. 1

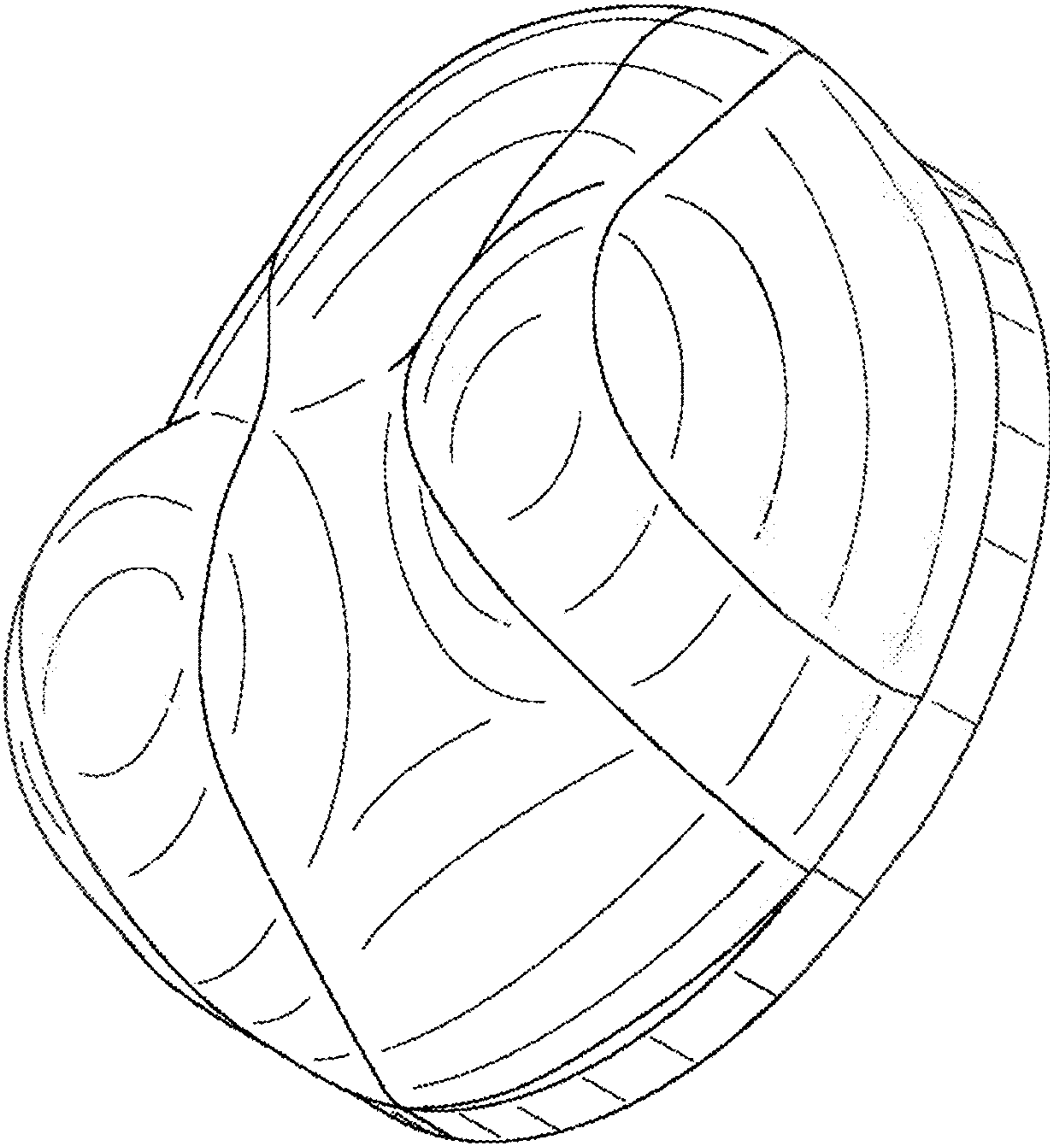


FIG. 2

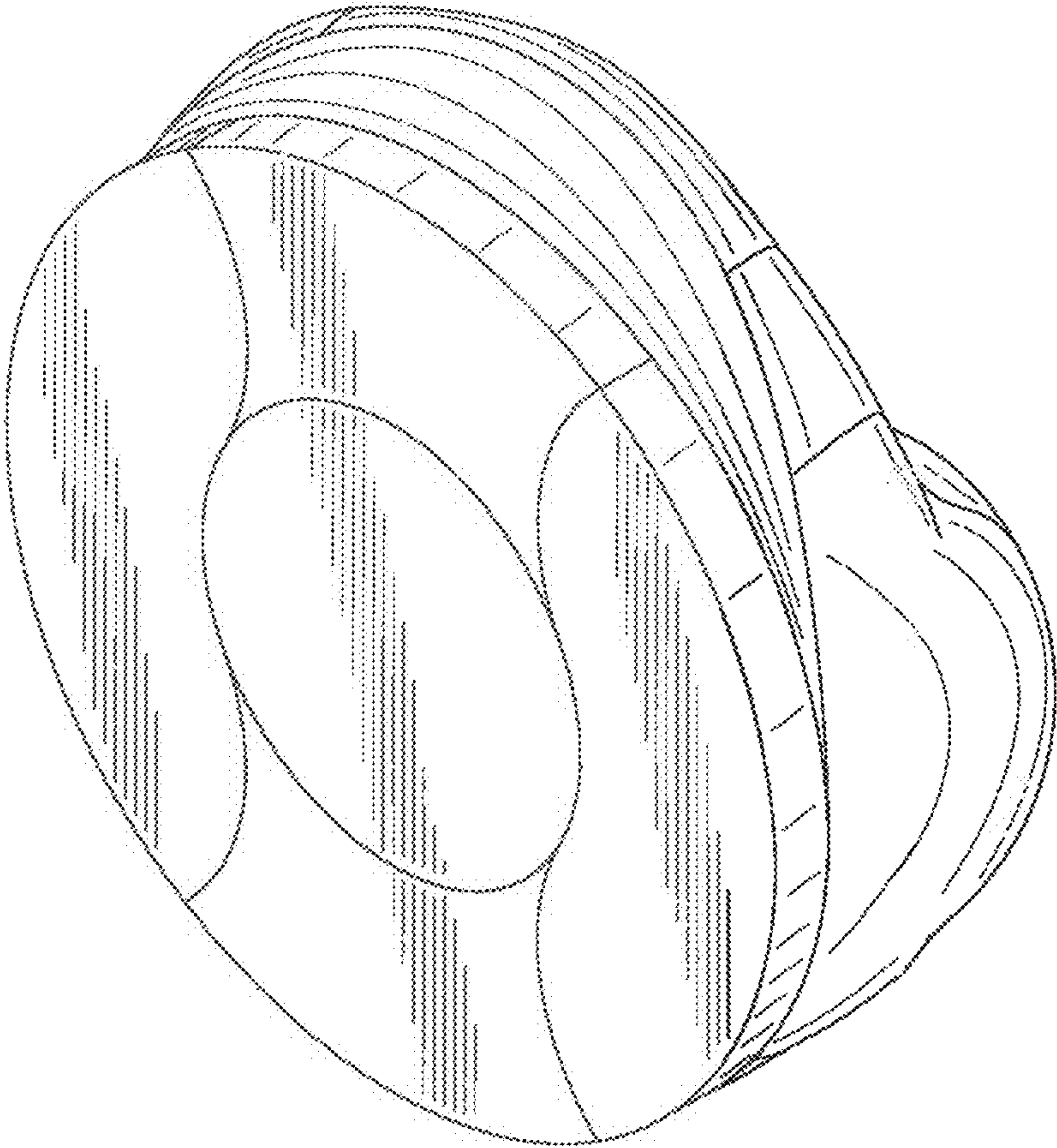


FIG. 3

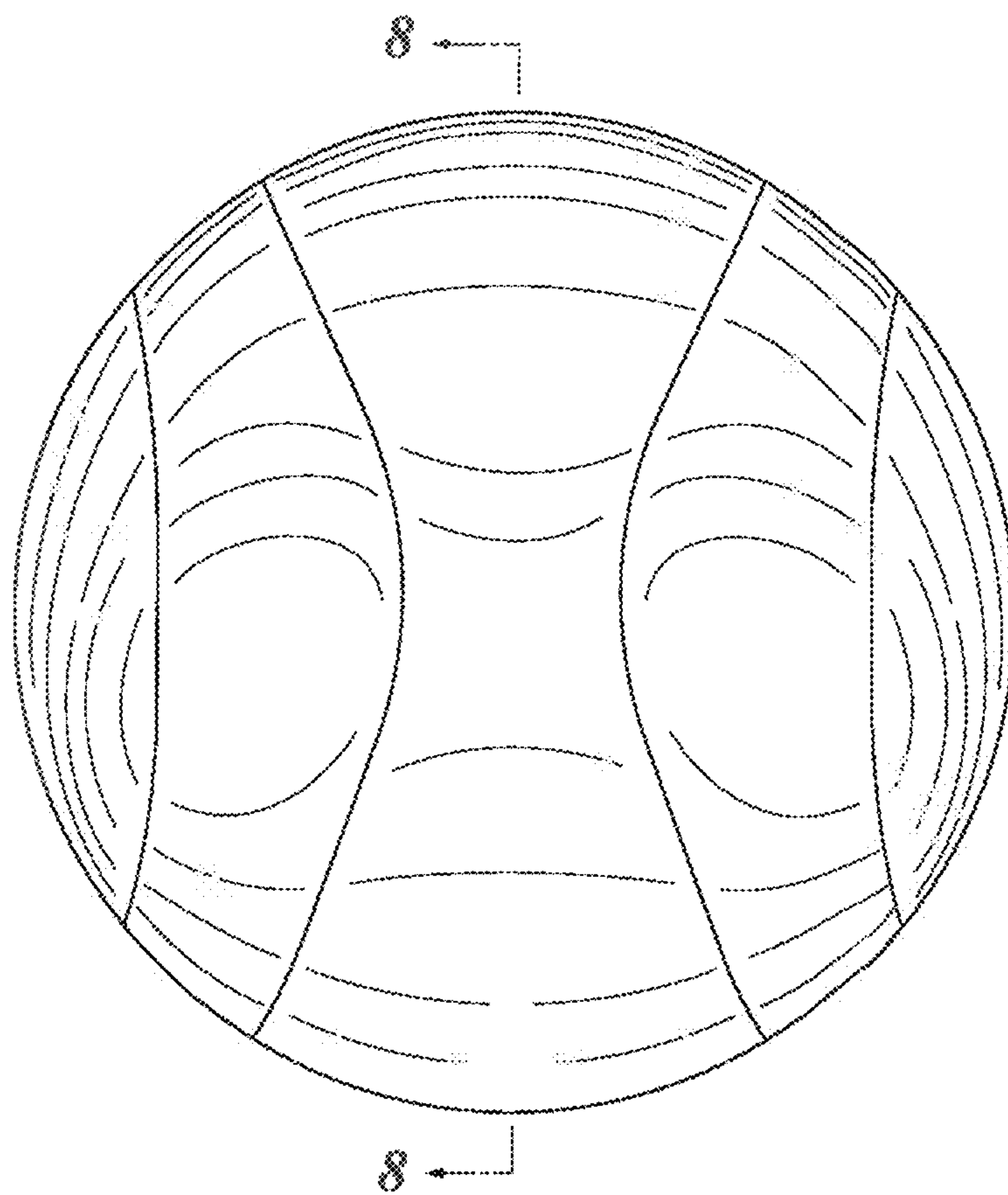


FIG. 4

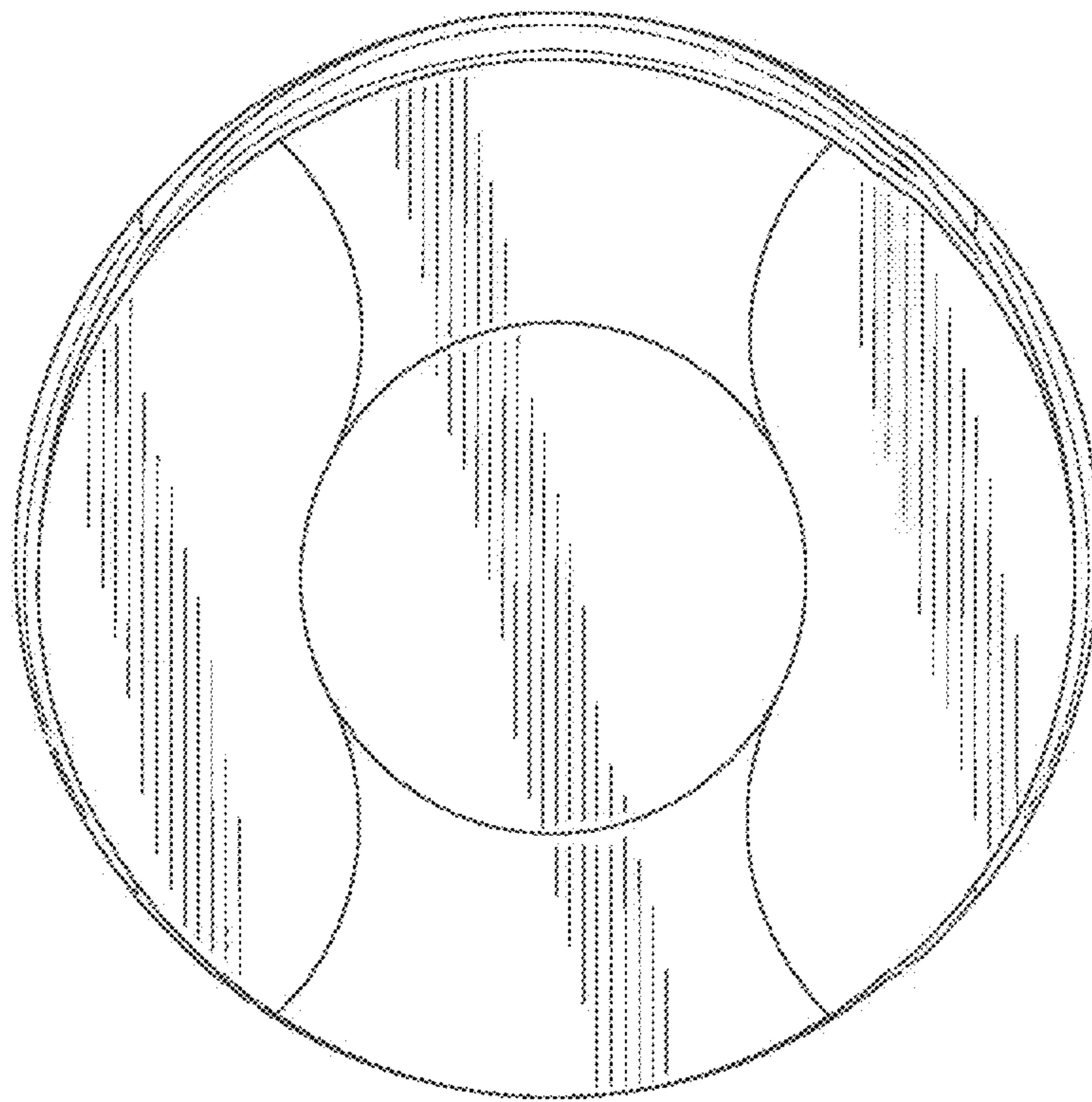


FIG. 5

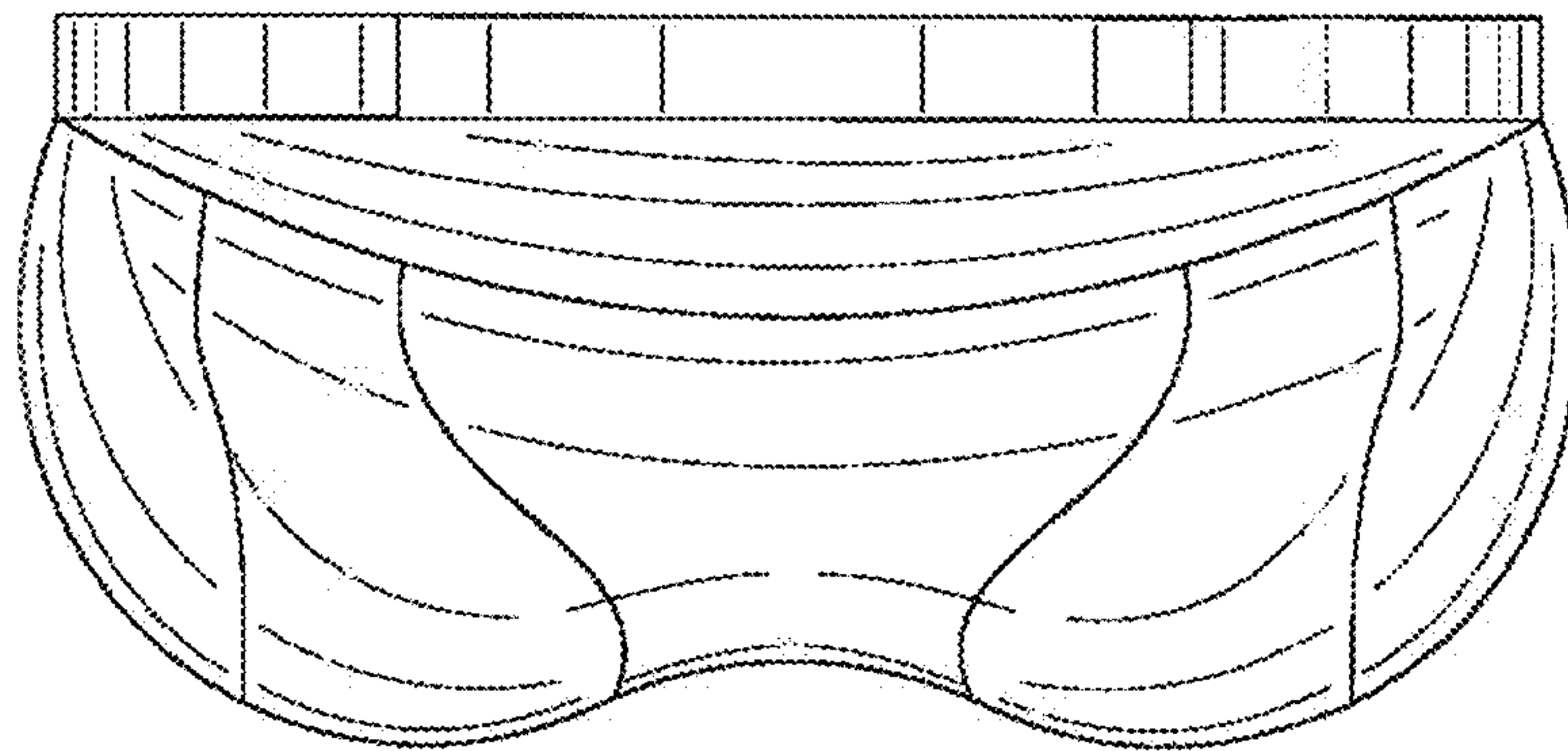


FIG. 6

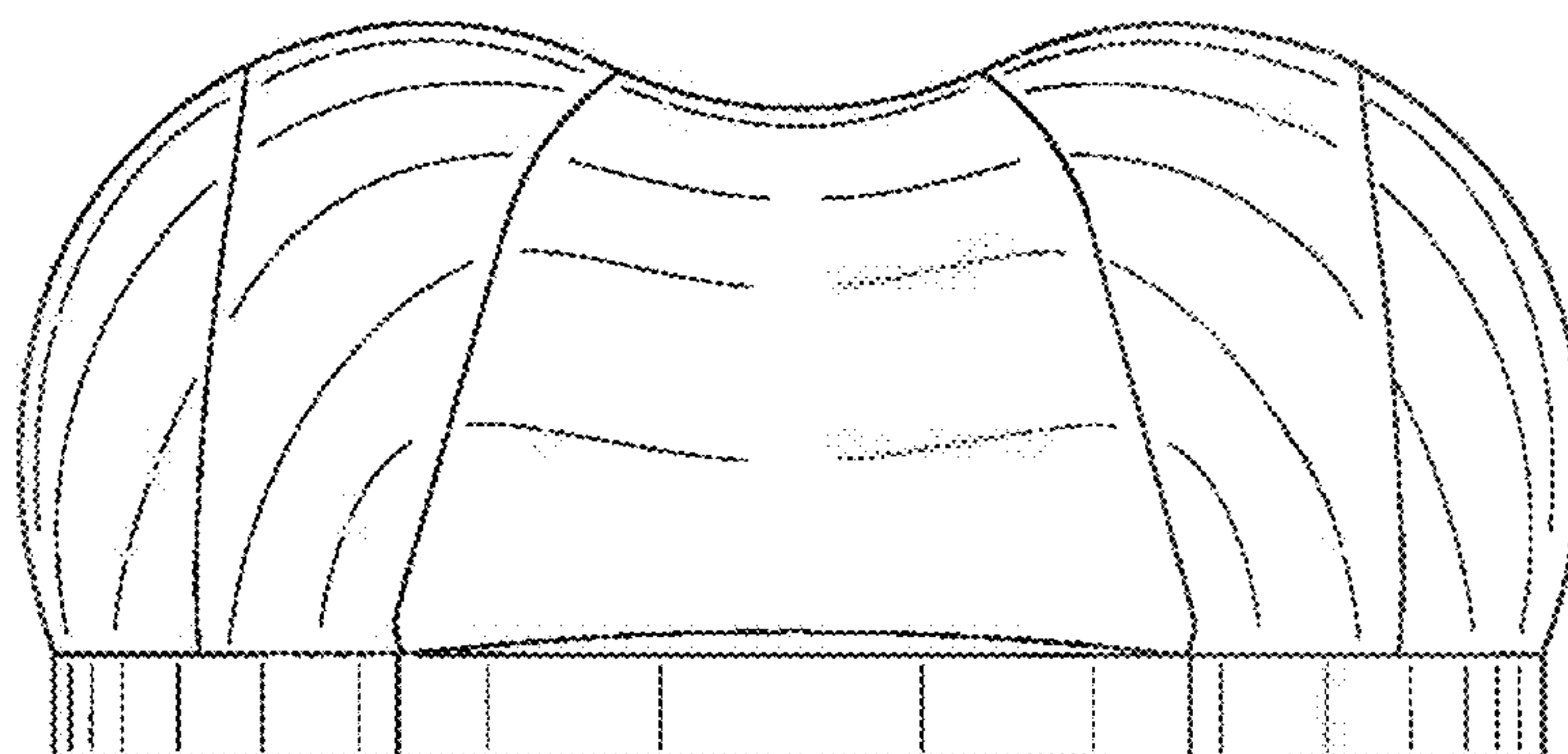


FIG. 7

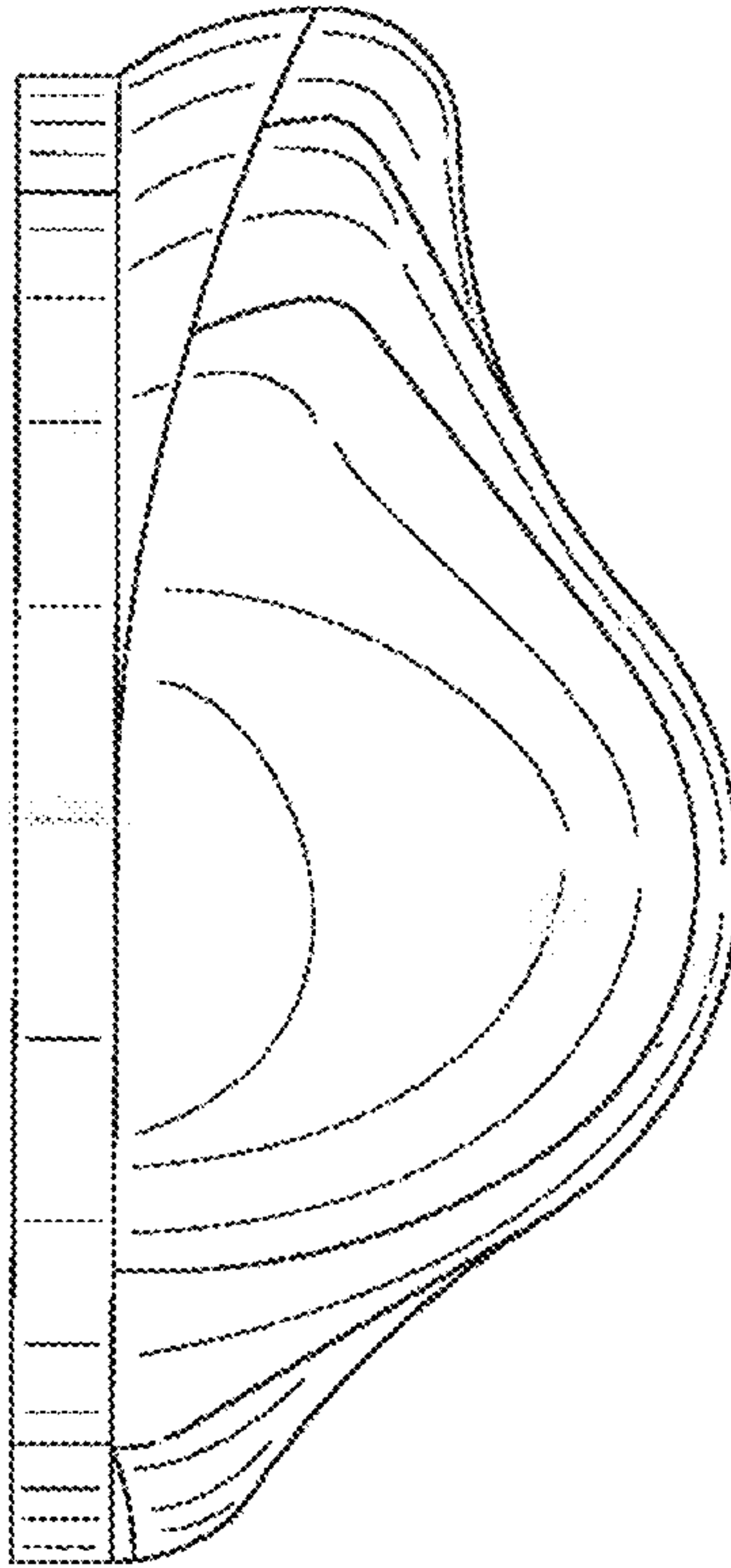


FIG. 8

