



US00D773856S

(12) **United States Design Patent** (10) **Patent No.:** **US D773,856 S**
Cantwell et al. (45) **Date of Patent:** **** Dec. 13, 2016**

(54) **HANGER FOR AN END CAP** 3,184,068 A * 5/1965 Wende A47F 7/04
108/107
(71) Applicant: **Mid-West Metal Products Co., Inc.**, Muncie, IN (US) D216,548 S * 2/1970 James D6/320
D228,714 S * 10/1973 Watley D6/678.4
D259,312 S * 5/1981 Nordlund D6/569
4,625,873 A * 12/1986 Hayashi A47G 25/06
211/100
(72) Inventors: **Brad Cantwell**, Muncie, IN (US); 5,472,103 A 12/1995 Merl
Michael E. Greene, Muncie, IN (US); D378,637 S * 4/1997 David D6/678.4
Terrance L. Jones, Muncie, IN (US); D379,277 S * 5/1997 Kozak D6/657
Stew Kerr, Muncie, IN (US) D715,065 S * 10/2014 Grogan D6/323
D723,295 S * 3/2015 Ruiz D6/320
(73) Assignee: **MID-WEST METAL PRODUCTS CO., INC.**, Muncie, IN (US) 2006/0091092 A1 5/2006 Vosbikian
(Continued)

(**) Term: **14 Years**

FOREIGN PATENT DOCUMENTS

(21) Appl. No.: **29/468,271**

FR 2647327 A1 11/1990

(22) Filed: **Sep. 27, 2013**

OTHER PUBLICATIONS

(51) **LOC (10) Cl.** **06-04**

European Search Report; dated Jun. 24, 2015; 6 pages; Issued by the European Patent Office.

(52) **U.S. Cl.**

USPC **D6/569**

(58) **Field of Classification Search**

USPC D6/315-328, 552, 553, 566, 567, 569, 570,
D6/571, 572, 672, 675.2, 678.4, 682.6;
223/85-98; 211/10, 13.1, 85.2, 85.26,
211/85.29, 85.3, 86.01, 87.01, 94.01, 103,
211/106, 106.01, 113, 119, 162; D8/356,
D8/367, 372

Primary Examiner — Derrick Holland

Assistant Examiner — Lauren Calve

(74) *Attorney, Agent, or Firm* — Taft Stettinius & Hollister LLP; Stephen F. Rost

CPC A47G 25/32; A47G 25/28; A47G 25/743;
A47G 25/26; A47G 25/30; A47G
25/1442; A47G 25/06; A47G
25/38; A47G 25/50; A47G 25/06; A47G
25/74; A47G 25/1414; A47G
25/34; A47G 29/08; A47G 29/00; A47F
5/0006; A47F 7/19; A47F 7/12

(57) **CLAIM**

The ornamental design for a hanger for an end cap, as shown and described.

See application file for complete search history.

DESCRIPTION

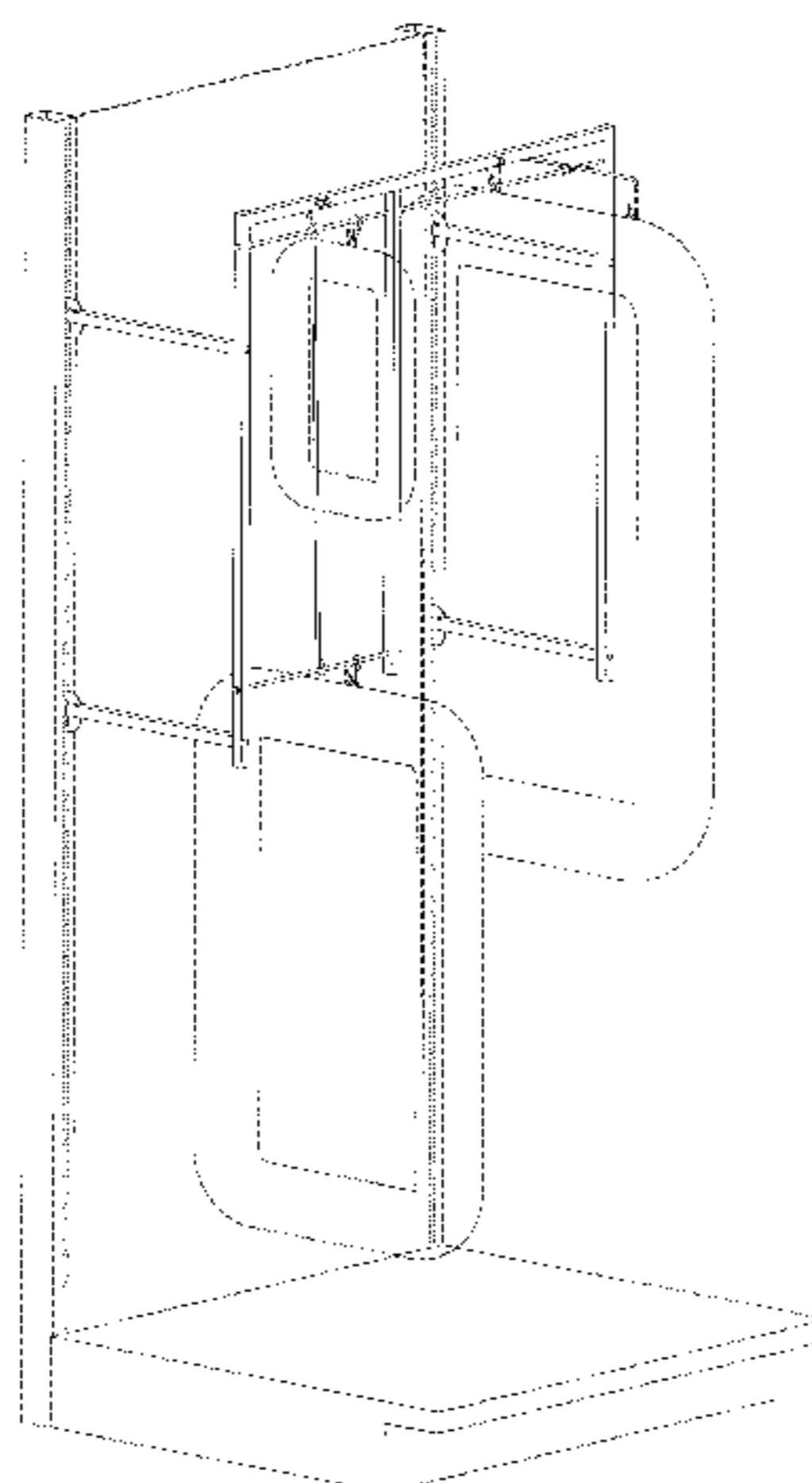
FIG. 1 is a perspective view of a hanger for an end cap shown in environmental use according to the present design; FIG. 2 is a second perspective view thereof; FIG. 3 is a front view thereof; FIG. 4 is a left side elevational view thereof; FIG. 5 is a right side elevational view thereof; FIG. 6 is a top view thereof; FIG. 7 is a bottom view thereof; and, FIG. 8 is a rear view thereof.

(Continued)

(56) **References Cited**

U.S. PATENT DOCUMENTS

2,087,149 A * 7/1937 Hendrix A47G 25/02
211/162
D121,112 S * 6/1940 Deja 211/35



The broken lines shown represent unclaimed subject matter and form no part of the claimed design.

1 Claim, 7 Drawing Sheets

(56) **References Cited**

U.S. PATENT DOCUMENTS

2008/0164384 A1* 7/2008 Rosen D06F 79/02
248/117.1

* cited by examiner

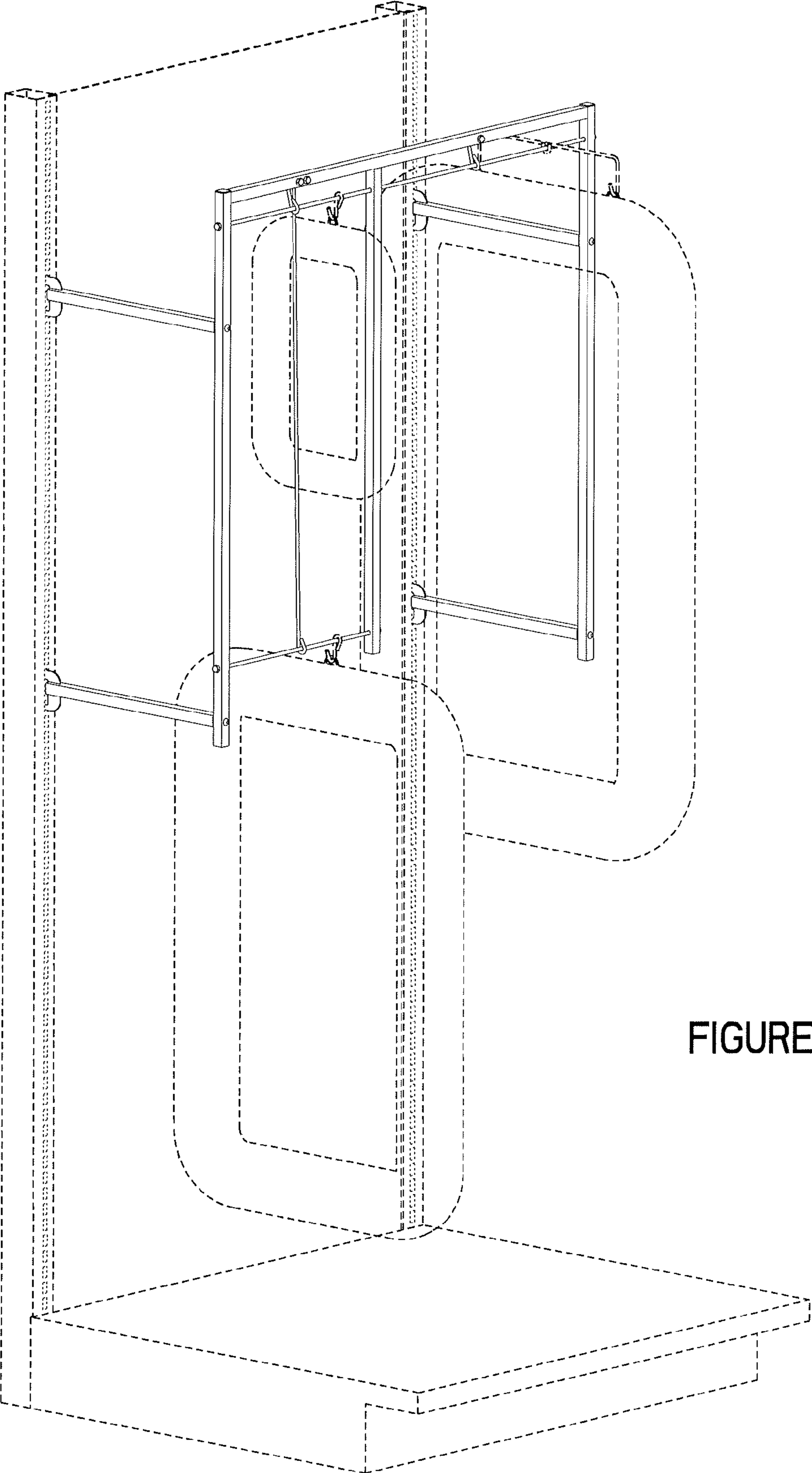


FIGURE 1

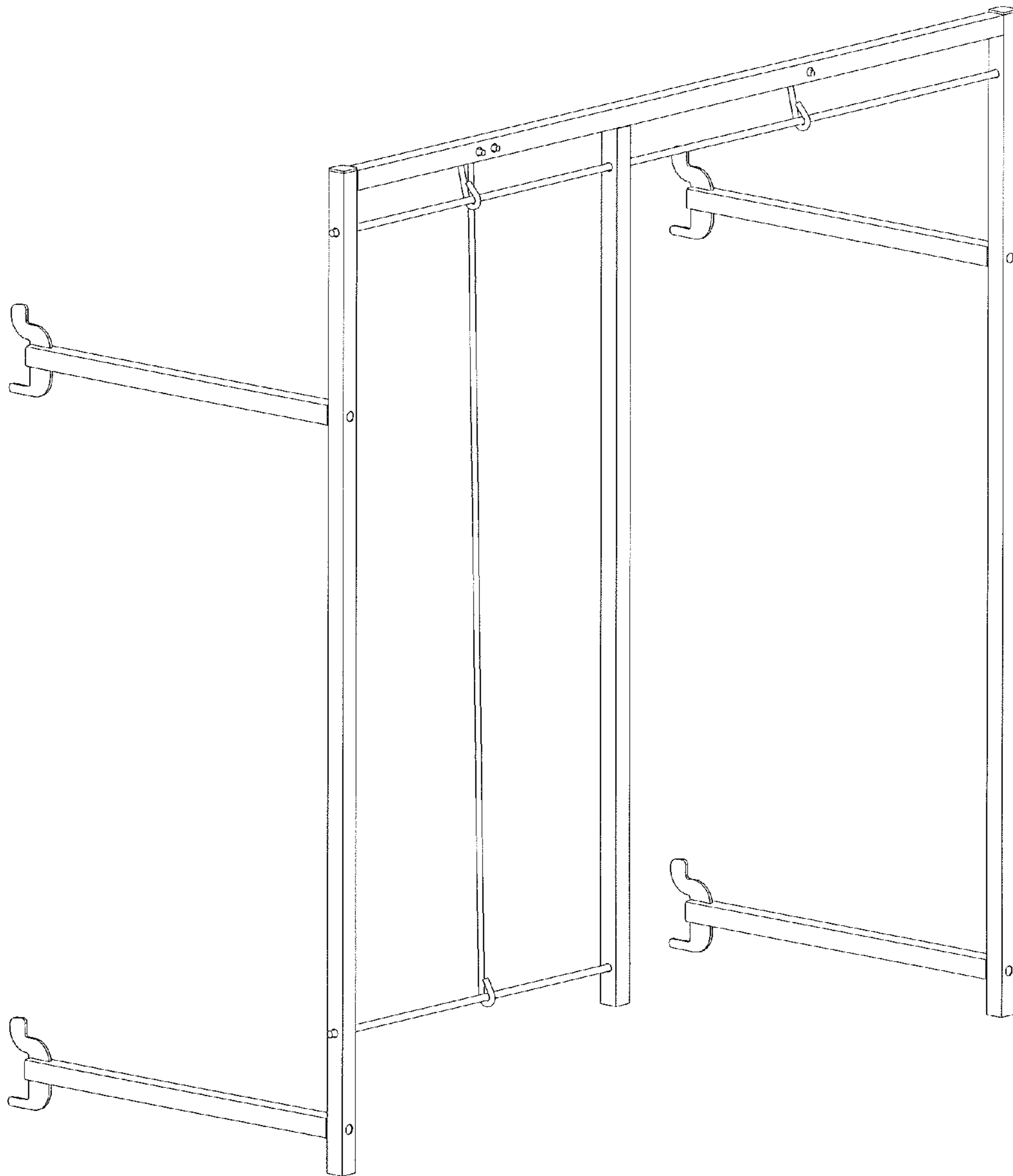


FIGURE 2

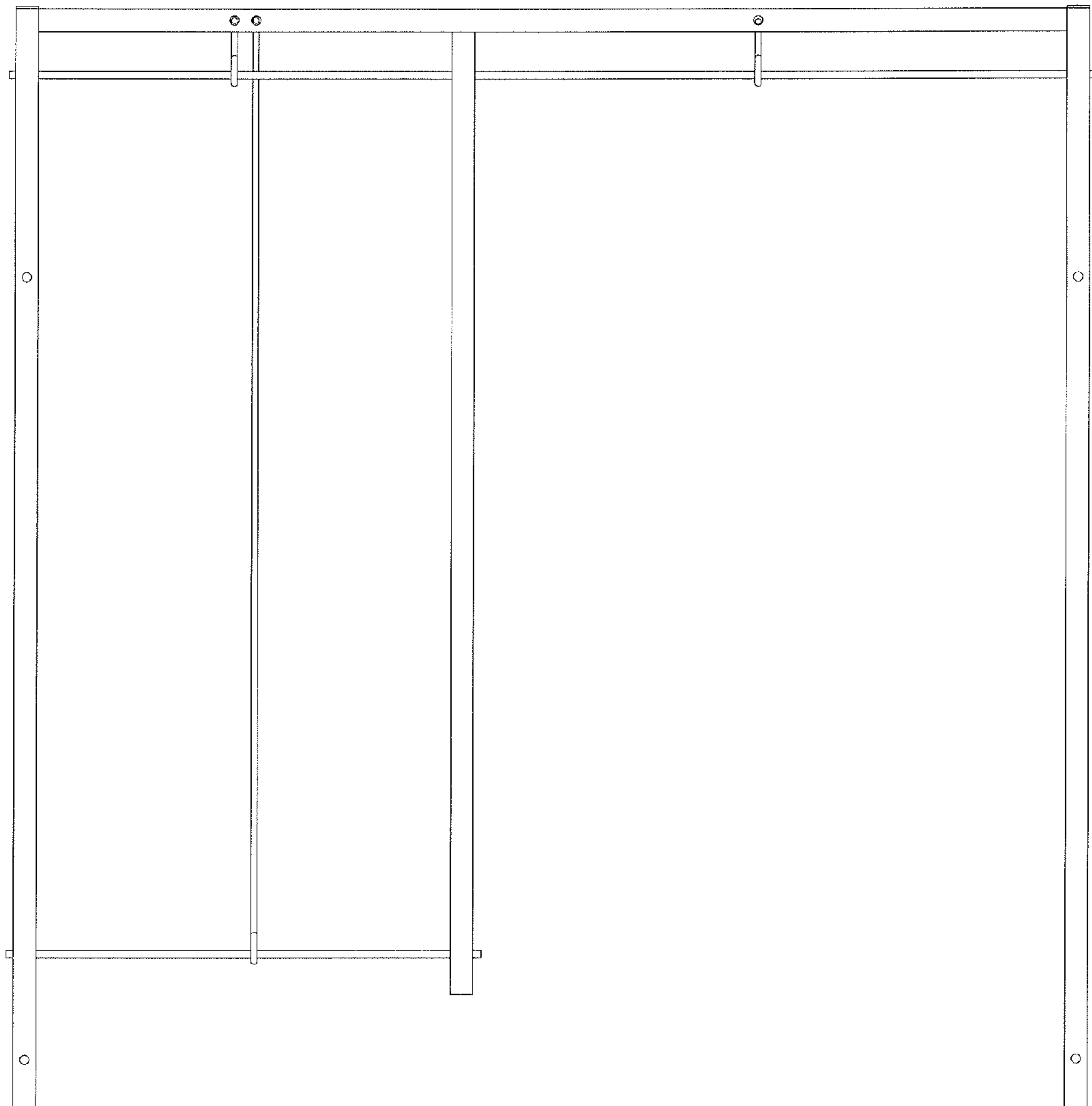


FIGURE 3

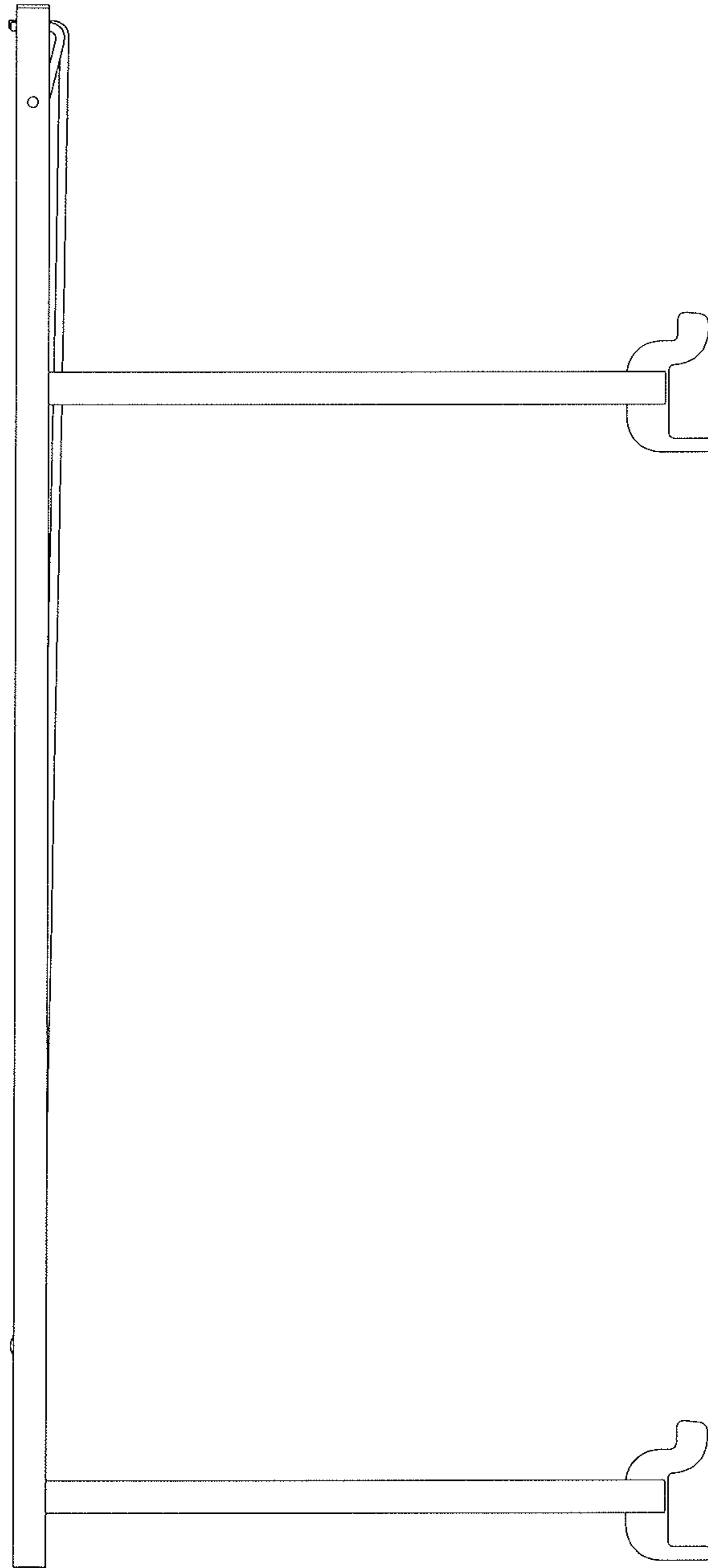


FIGURE 4

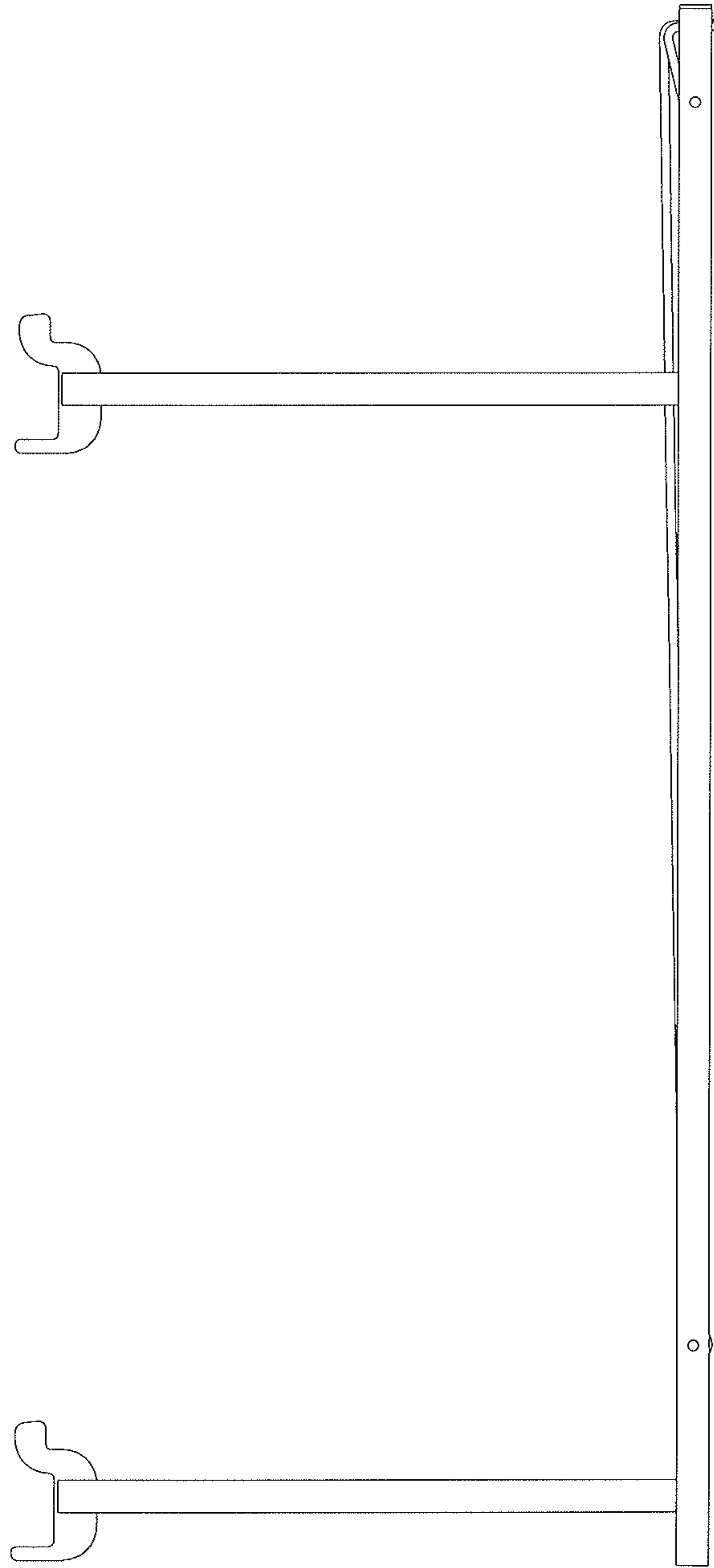


FIGURE 5

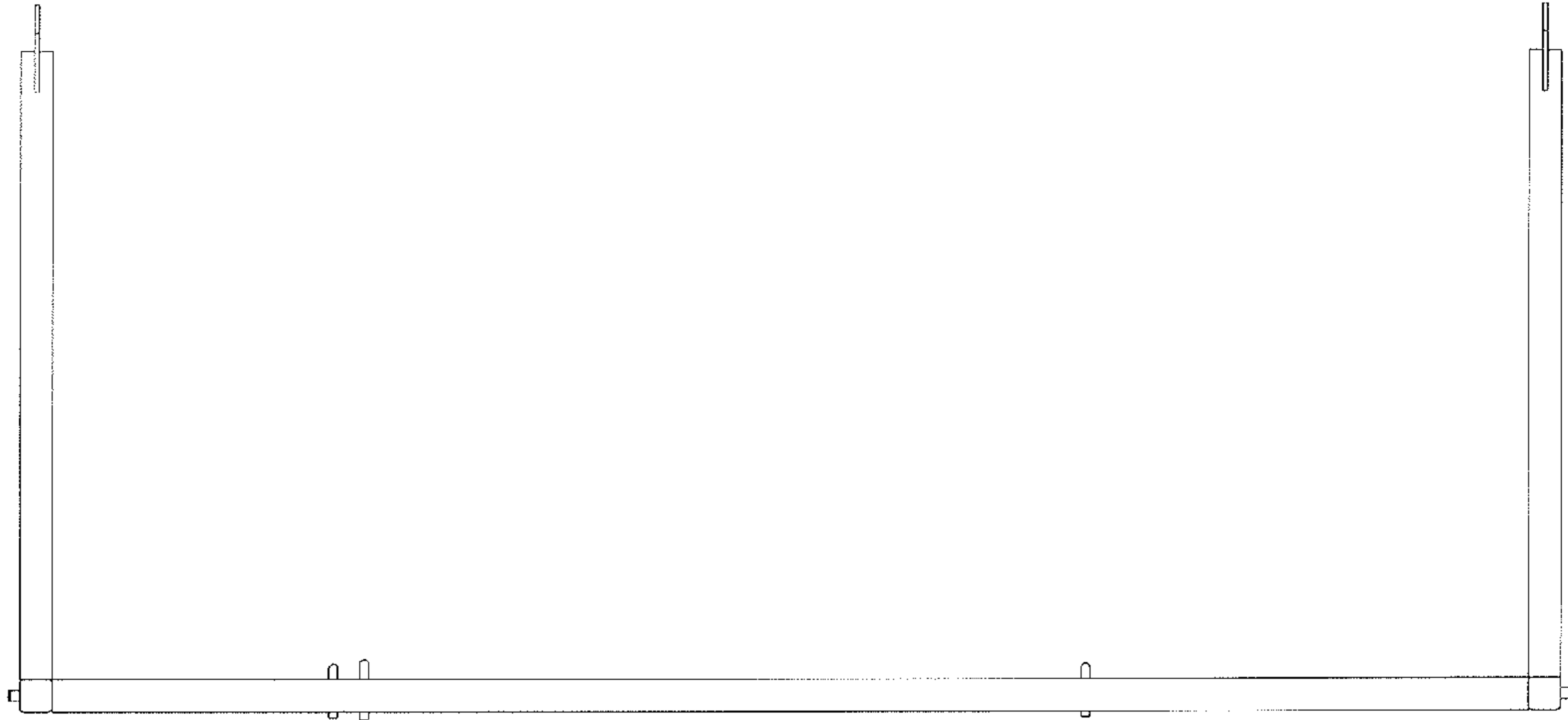


FIGURE 6

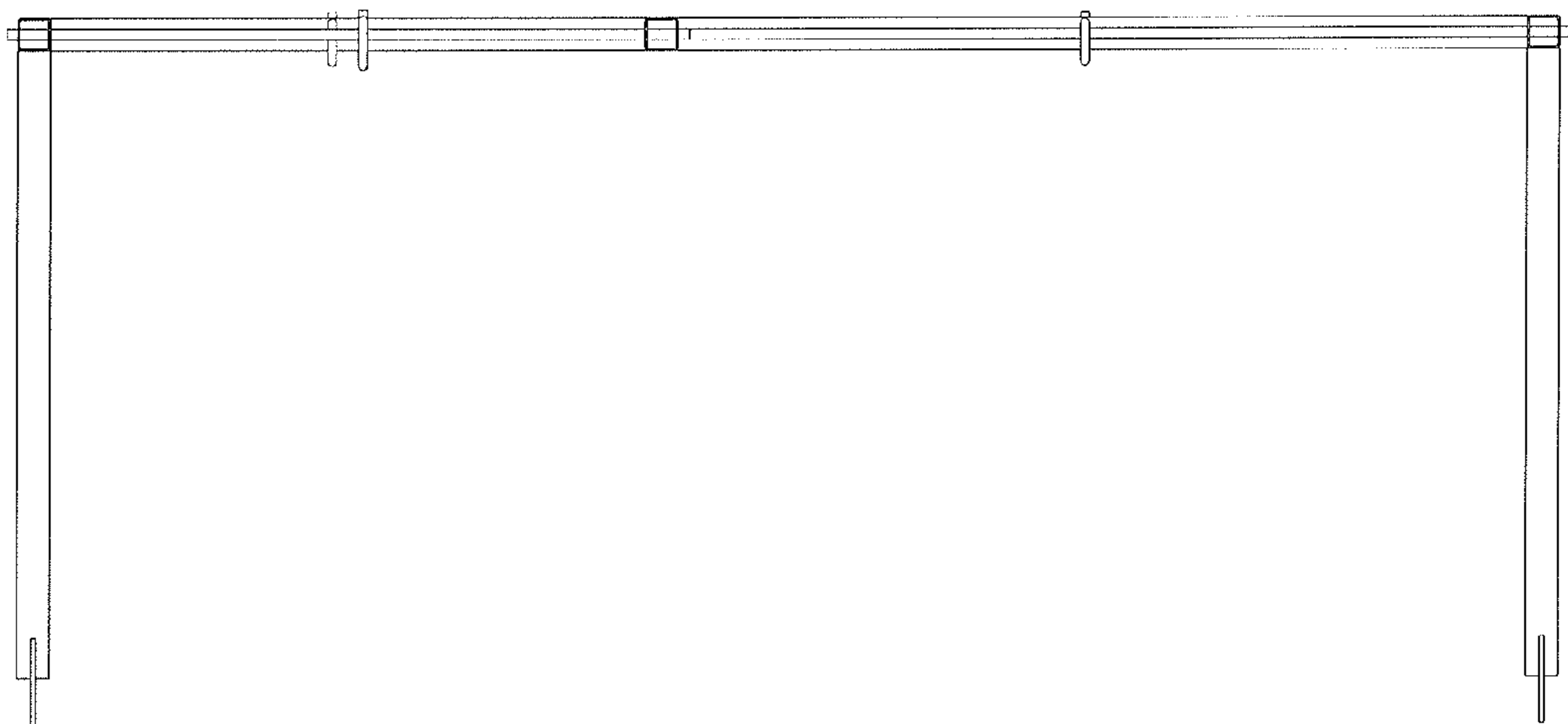


FIGURE 7

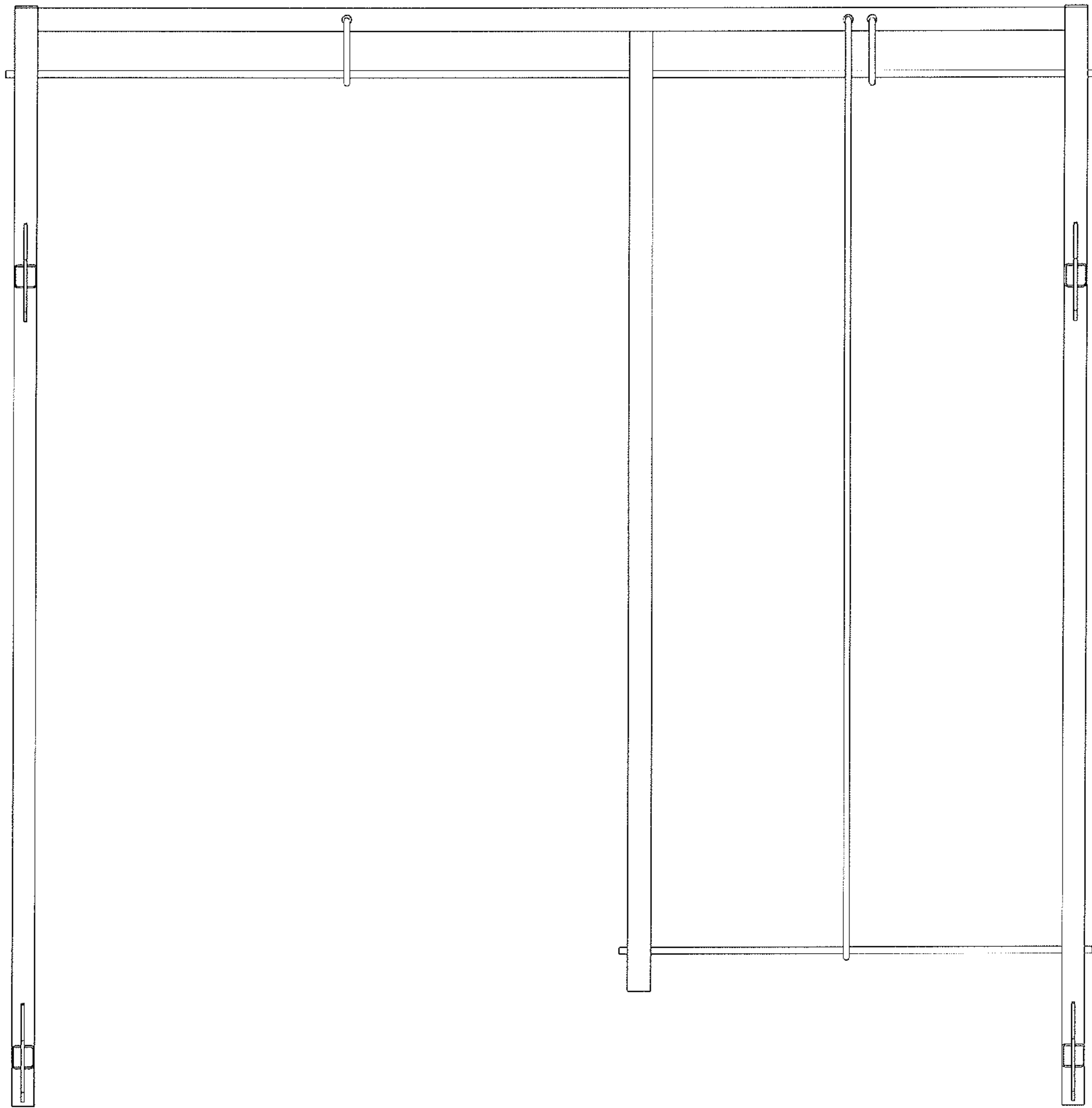


FIGURE 8