



US00D773855S

(12) **United States Design Patent**
Chang et al.

(10) **Patent No.: US D773,855 S**
(45) **Date of Patent: ** Dec. 13, 2016**

(54) **HOLDER**

(71) Applicant: **3M INNOVATIVE PROPERTIES COMPANY**, St. Paul, MN (US)

(72) Inventors: **Pei-Chun Chang**, Taoyuan (TW); **Hui-Lin Wang**, Taipei (TW); **Hsi Che Cheng**, Taipei (TW)

(73) Assignee: **3M INNOVATIVE PROPERTIES COMPANY**, St. Paul, MN (US)

(**) Term: **14 Years**

(21) Appl. No.: **29/506,496**

(22) Filed: **Oct. 16, 2014**

(51) **LOC (10) Cl. 06-04**

(52) **U.S. Cl.**
USPC **D6/566**

(58) **Field of Classification Search**
USPC D6/553-574, 512-523; D9/730, 702, D9/432, 431, 414, 499; D19/78, 84, 90, D19/65, 75, 81, 85, 86, 91, 100; 211/13.1, 10-12, 16, 44, 60.1, 69.1, 70.6, 211/70.7, 72, 85.13, 86.01, 87.01, 90.01, 211/119.009, 134; 242/570, 590, 595; D8/381, 380, 371, 370, 366, 354; 47/40; 248/313, 274.1, 27.8, 231.41, 228.3, 248/220.41, 220.31, 208, 311.2, 217.1, 248/302, 153, 95, 97, 99; D30/121, 119; D34/1, 2, 3, 4, 5, 6, 7, 9, 10; 220/908, 220/909; 206/69, 363, 361, 349, 703, 233, 206/581, 570, 514, 77.1, 96, 730, 735; D3/203.1, 23.5, 201, 226, 227, 269, 304, D3/315; D12/317

CPC C09K 3/1427; C03C 10/00; C04B 2235/3225; C04B 2235/3227

See application file for complete search history.

D269,570 S * 7/1983 O'Keefe D6/523
4,690,357 A * 9/1987 Webster B65B 67/12
248/97
5,257,702 A * 11/1993 Grafstein A47F 5/0031
211/106
D352,965 S * 11/1994 Stravitz D19/75
6,000,538 A * 12/1999 Lee A47K 10/421
206/233
D423,809 S * 5/2000 Lund D21/803
6,234,068 B1 * 5/2001 Sherman A47J 36/2477
126/33
6,520,354 B1 * 2/2003 Skvorecz A47J 36/2477
211/181.1
7,735,800 B2 * 6/2010 Lunato A47G 7/044
248/146
RE42,988 E * 12/2011 Skvorecz B65D 21/046
126/40
2009/0071924 A1 * 3/2009 Decker A47K 10/3818
211/88.01

FOREIGN PATENT DOCUMENTS

TW	343844	8/1986
TW	M330071	11/1996
TW	430323	4/2001
TW	458575	10/2001
TW	M280774	11/2005
TW	M372172	1/2010
TW	M390760	10/2010
TW	D154159	6/2013

* cited by examiner

Primary Examiner — David Muller
Assistant Examiner — Nathan Johnston
(74) *Attorney, Agent, or Firm* — Irina Hass

(57) **CLAIM**

The ornamental design for a holder, as shown and described.

DESCRIPTION

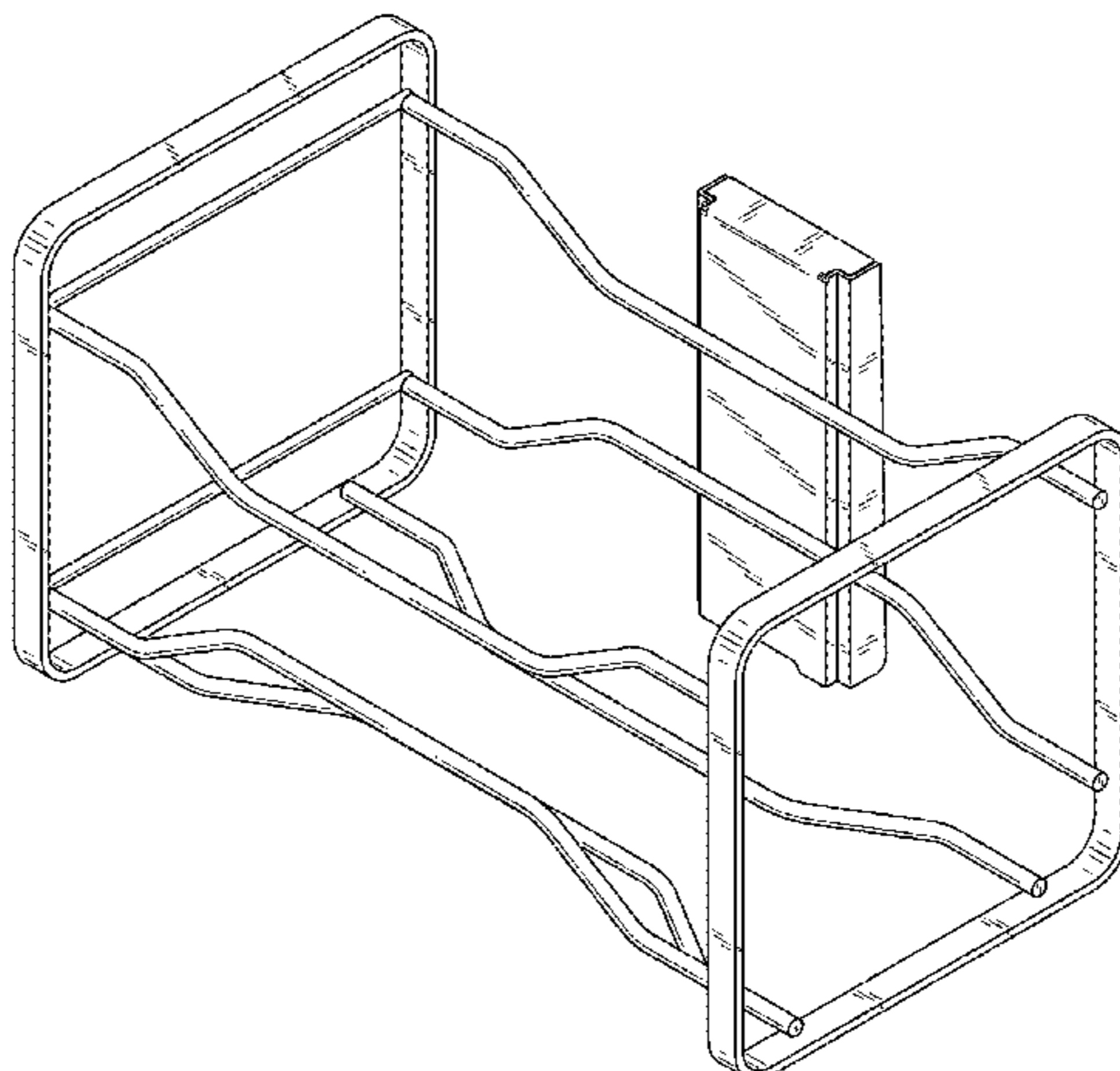
FIG. 1 is a perspective view showing our new design for a holder;
FIG. 2 is a front elevation view thereof;
FIG. 3 is a rear elevation view thereof;
FIG. 4 is a top plan view thereof;
FIG. 5 is a bottom plan view thereof;
FIG. 6 is a left side elevation view thereof; and,
FIG. 7 is a right side elevation view thereof.

1 Claim, 6 Drawing Sheets

(56) **References Cited**

U.S. PATENT DOCUMENTS

3,444,991 A * 5/1969 Georges B65D 81/022
206/482
D237,674 S * 11/1975 Seltzer D6/566



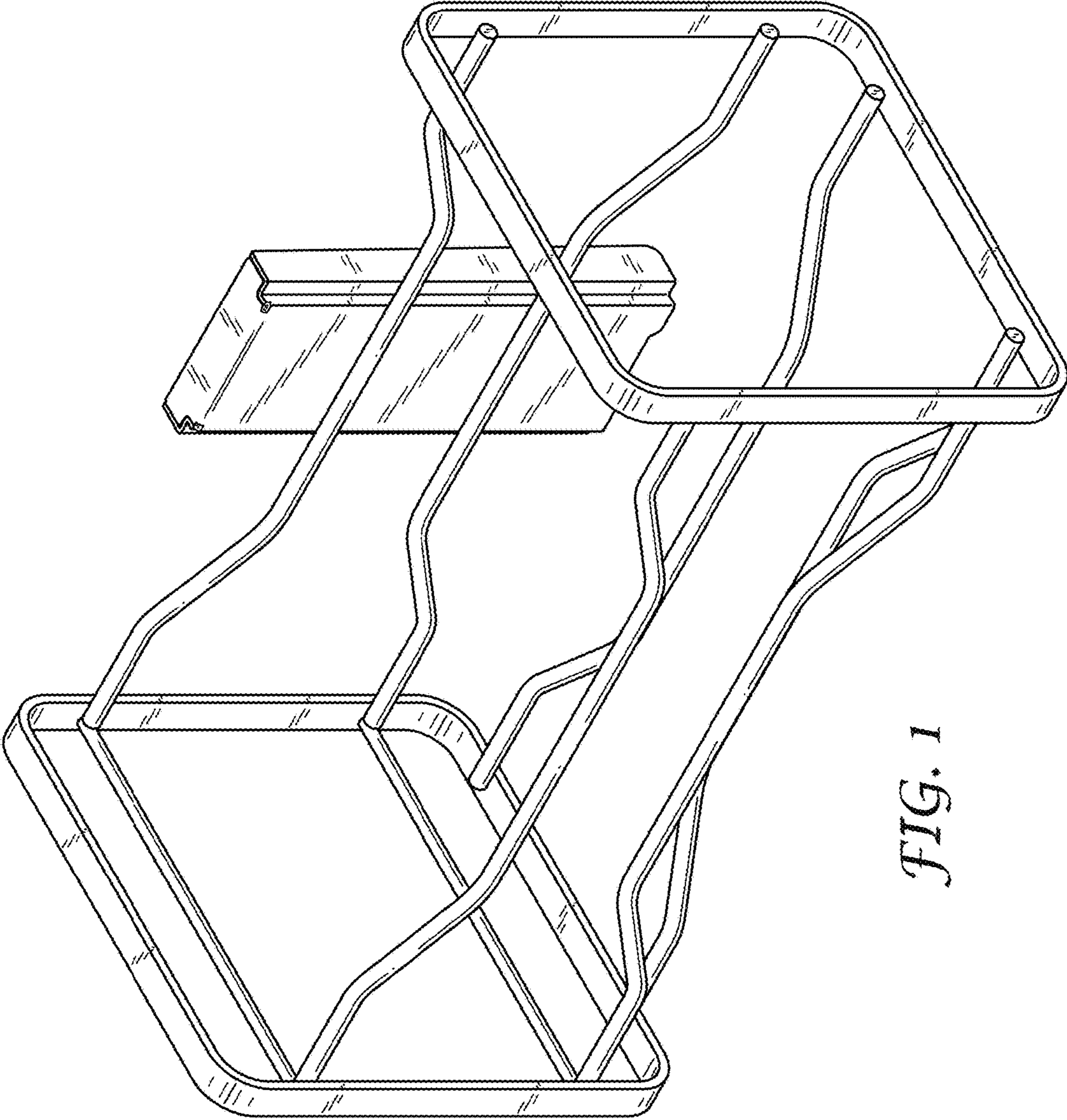


FIG. 1

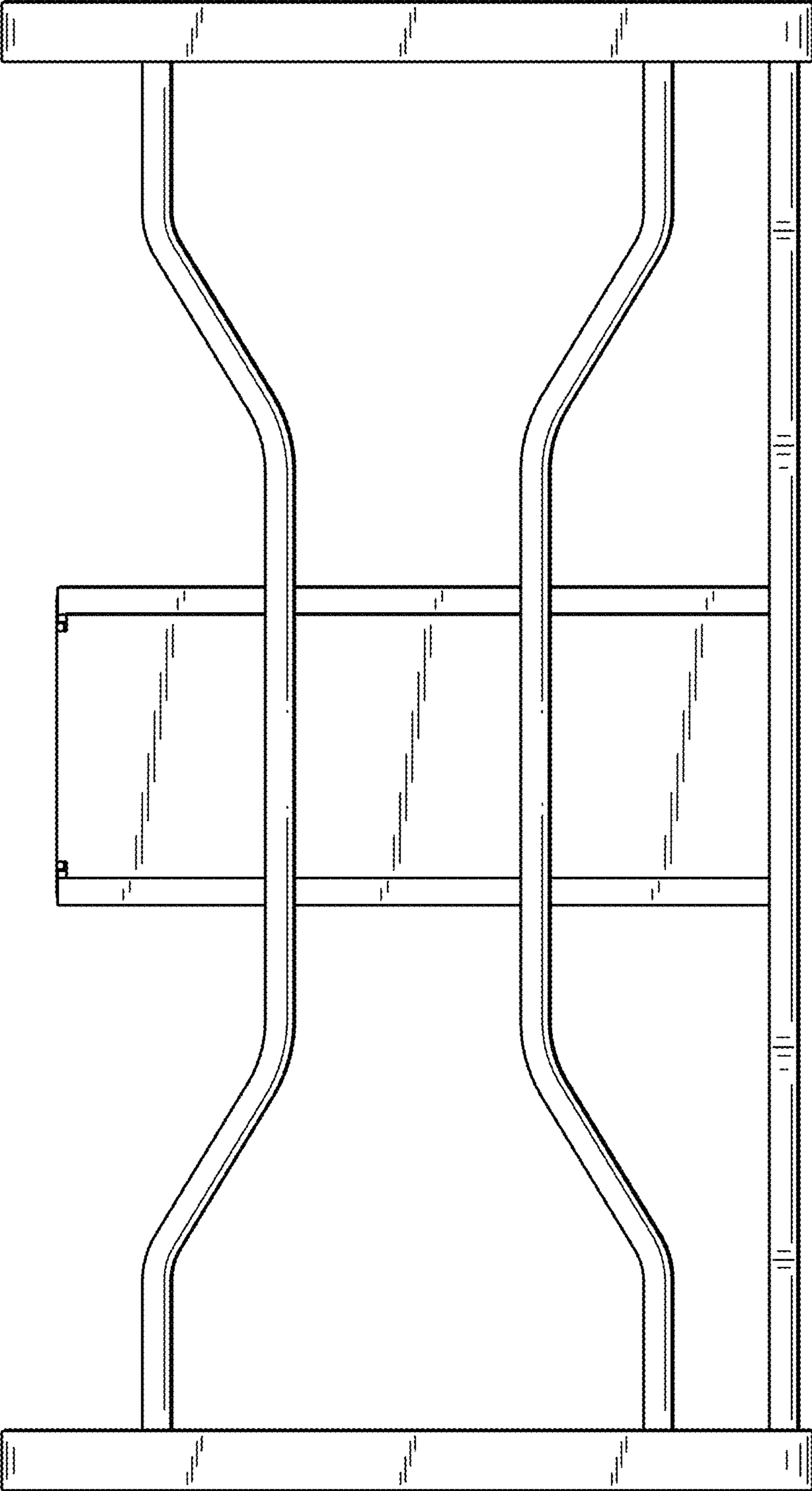


FIG. 2

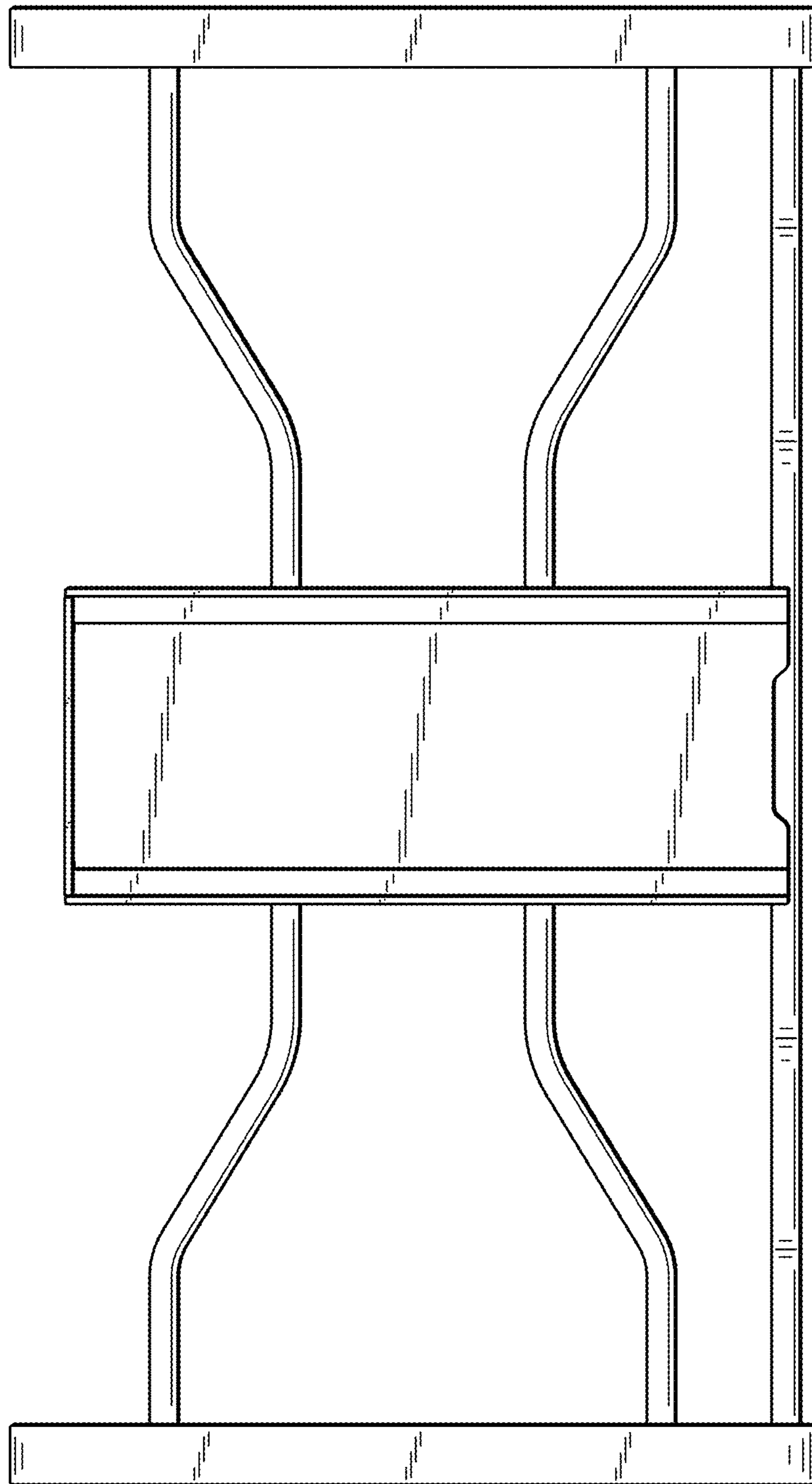


FIG. 3

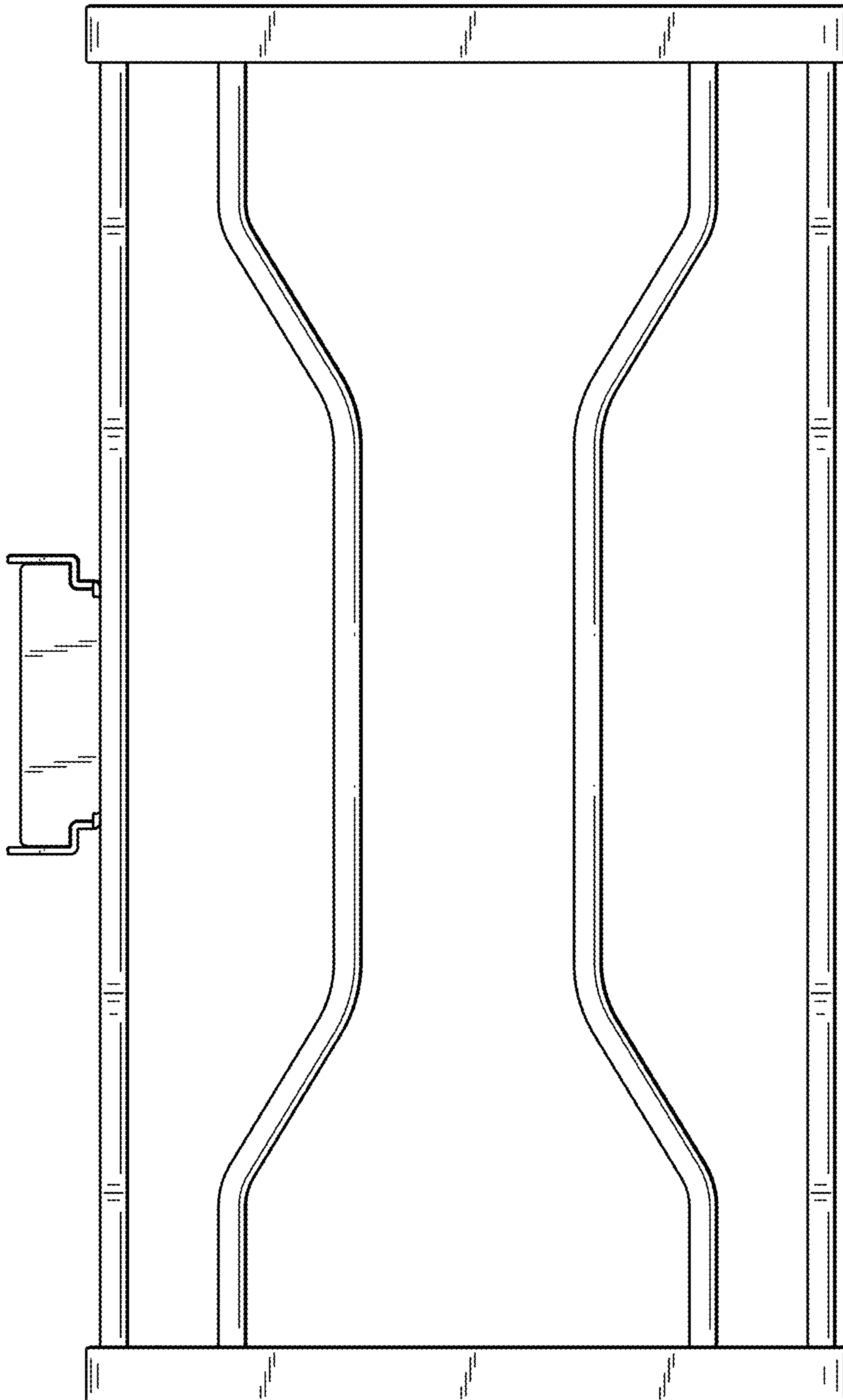


FIG. 4

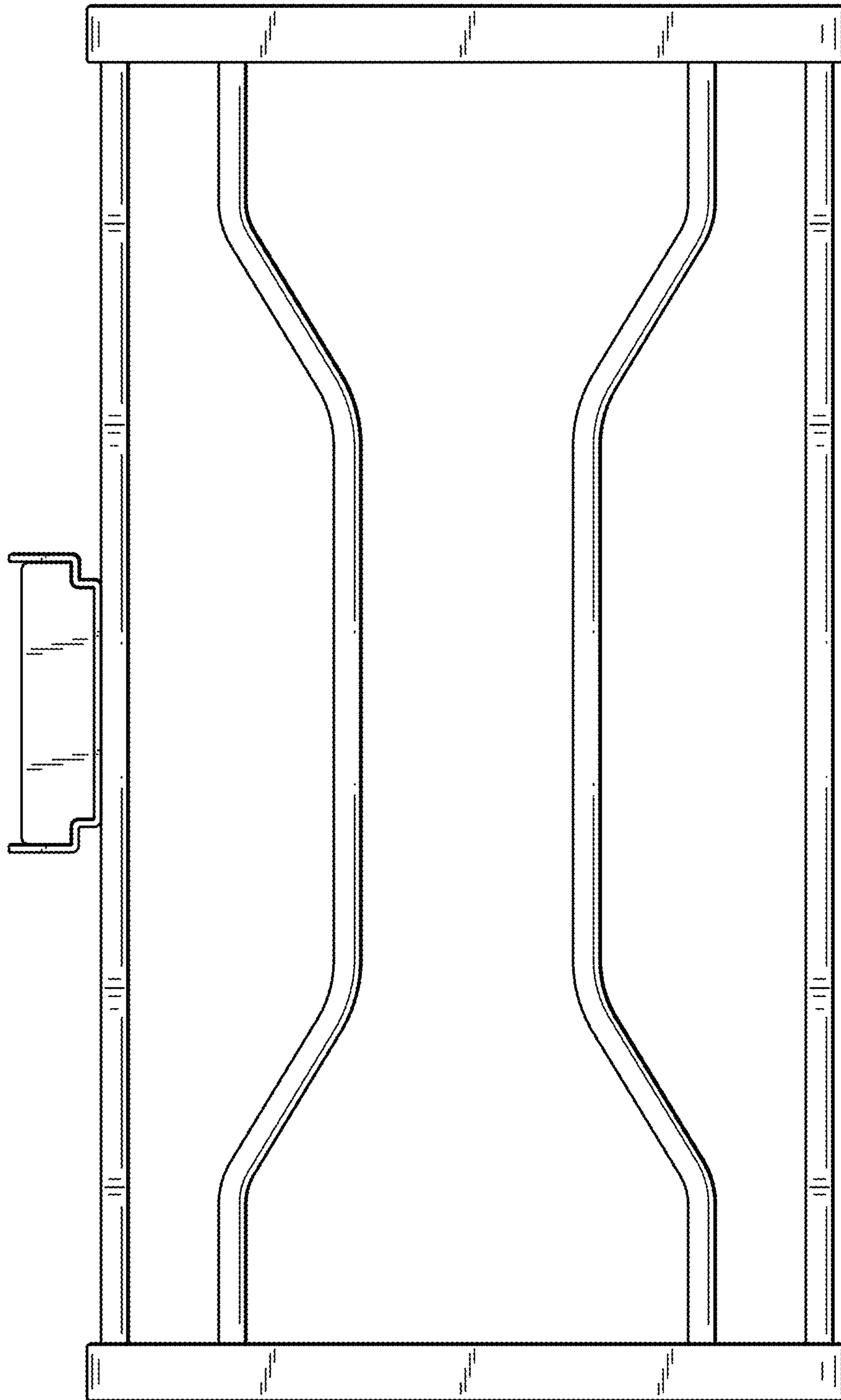


FIG. 5

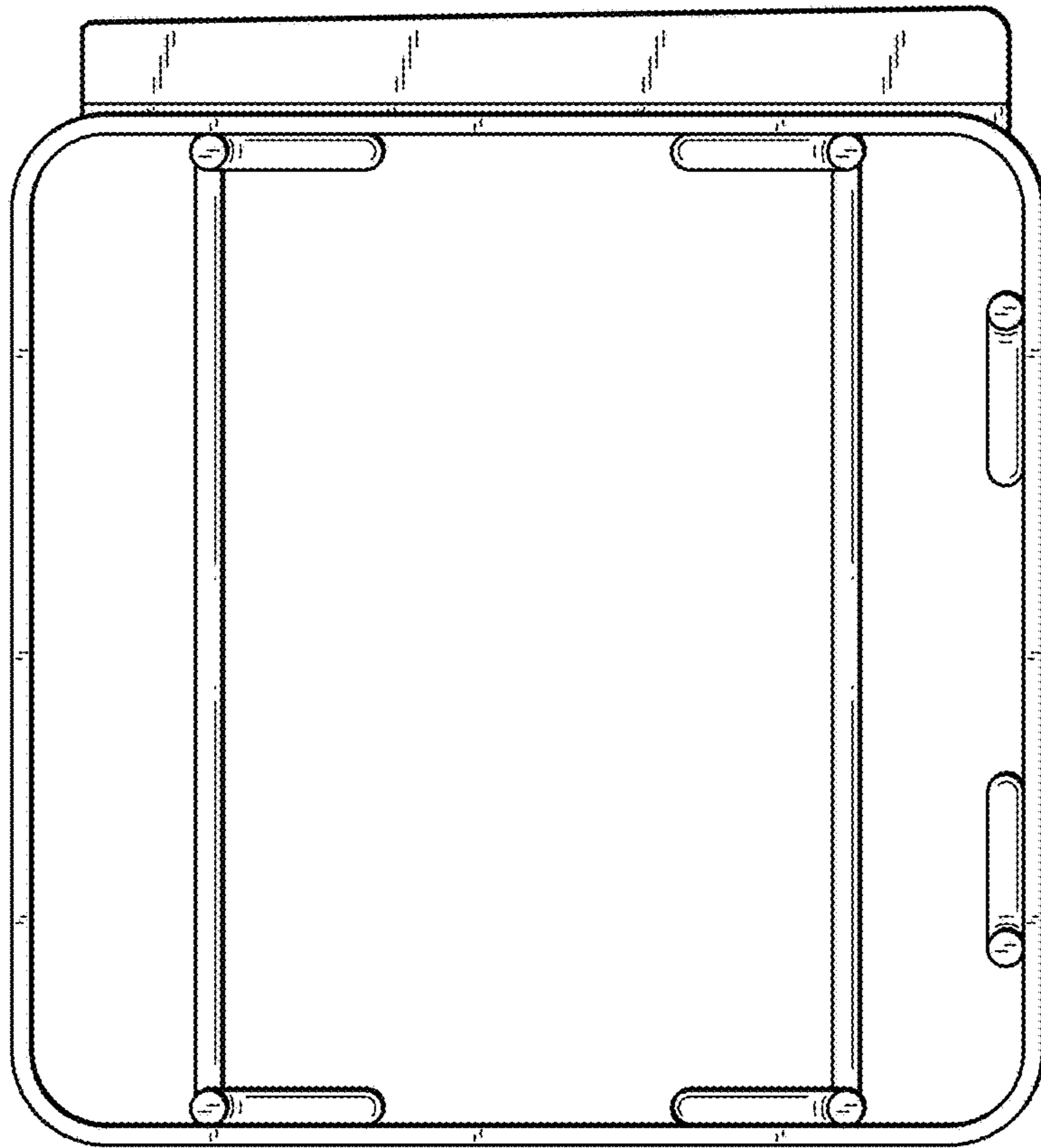


FIG. 7

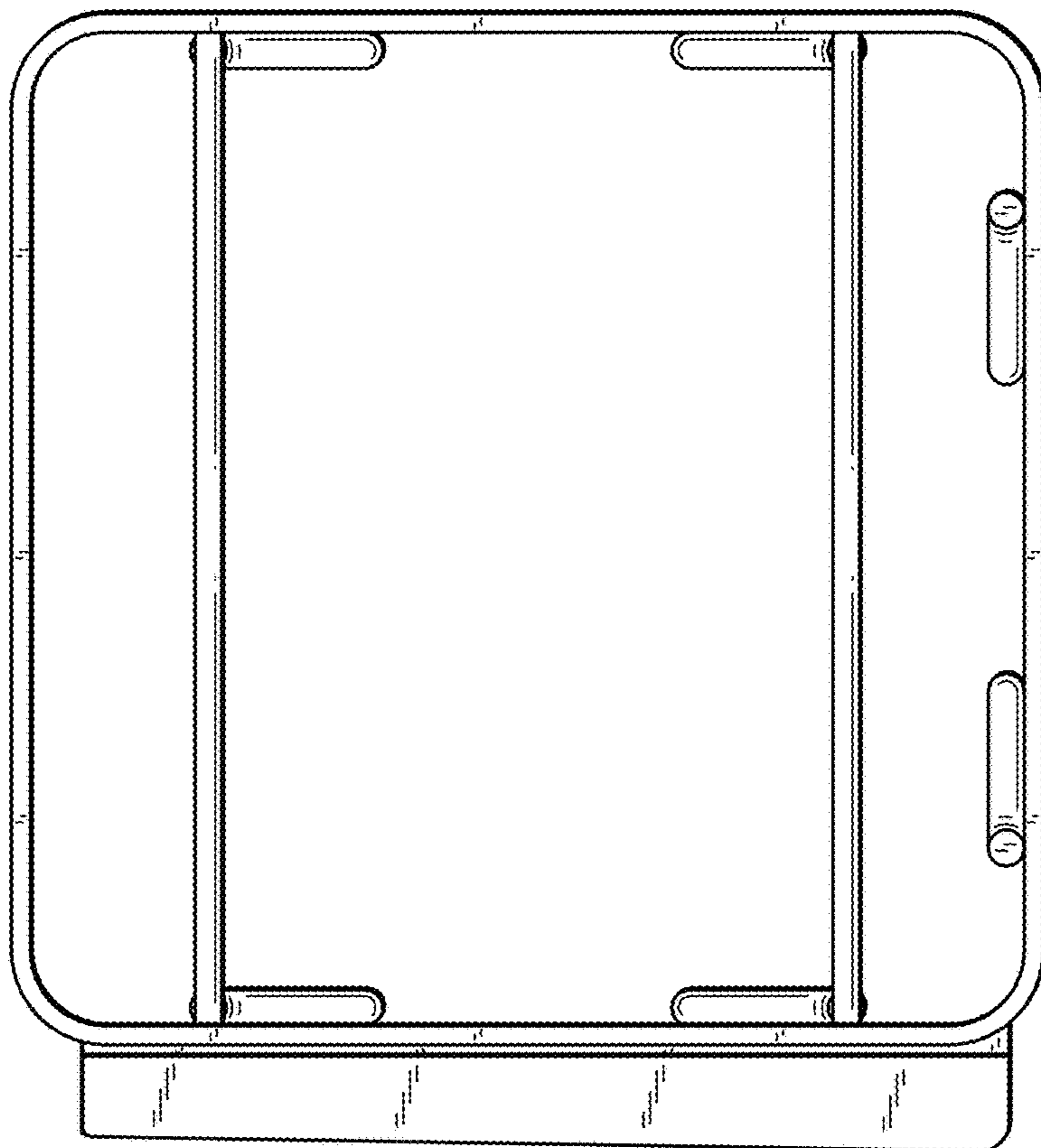


FIG. 6