



US00D773853S

(12) **United States Design Patent** (10) **Patent No.:** **US D773,853 S**  
**Deacon** (45) **Date of Patent:** **\*\* Dec. 13, 2016**

(54) **TOILET BRUSH CADDY** 8,733,852 B2 \* 5/2014 Gold ..... A47K 17/00  
 206/15.3  
 (71) Applicant: **Hayco Manufacturing Limited**, Hong Kong (HK) D706,549 S \* 6/2014 Cho ..... D6/524  
 D717,066 S 11/2014 Deacon  
 (72) Inventor: **David Deacon**, Hong Kong (HK) \* cited by examiner  
 (73) Assignee: **HAYCO MANUFACTURING LIMITED**, Hong Kong (HK) *Primary Examiner* — Wan Laymon  
*Assistant Examiner* — Mark Booker  
 (\*\*) Term: **14 Years** (74) *Attorney, Agent, or Firm* — Heslin Rothenberg  
 Farley & Mesiti P.C.; Victor A. Cardona, Esq.; Melvin S. Li, Esq.  
 (21) Appl. No.: **29/515,939**  
 (22) Filed: **Jan. 28, 2015**  
 (51) **LOC (10) Cl.** ..... **06-04**  
 (52) **U.S. Cl.**  
 USPC ..... **D6/551**  
 (58) **Field of Classification Search**  
 USPC .. D6/551, 525; D7/541, 555, 615; 4/255.05, 4/255.11; 206/207, 349, 361; 312/206, 312/207  
 CPC ..... A47K 17/00; A47K 11/10; A47K 3/001; B65D 47/40  
 See application file for complete search history.

(56) **References Cited**

U.S. PATENT DOCUMENTS

D491,404 S \* 6/2004 Dotterman ..... D6/524  
 6,902,056 B2 \* 6/2005 Dotterman ..... A47K 17/00  
 206/361  
 D551,480 S \* 9/2007 Dretzka ..... D6/551  
 D689,299 S \* 9/2013 Kassem Llano ..... D6/524

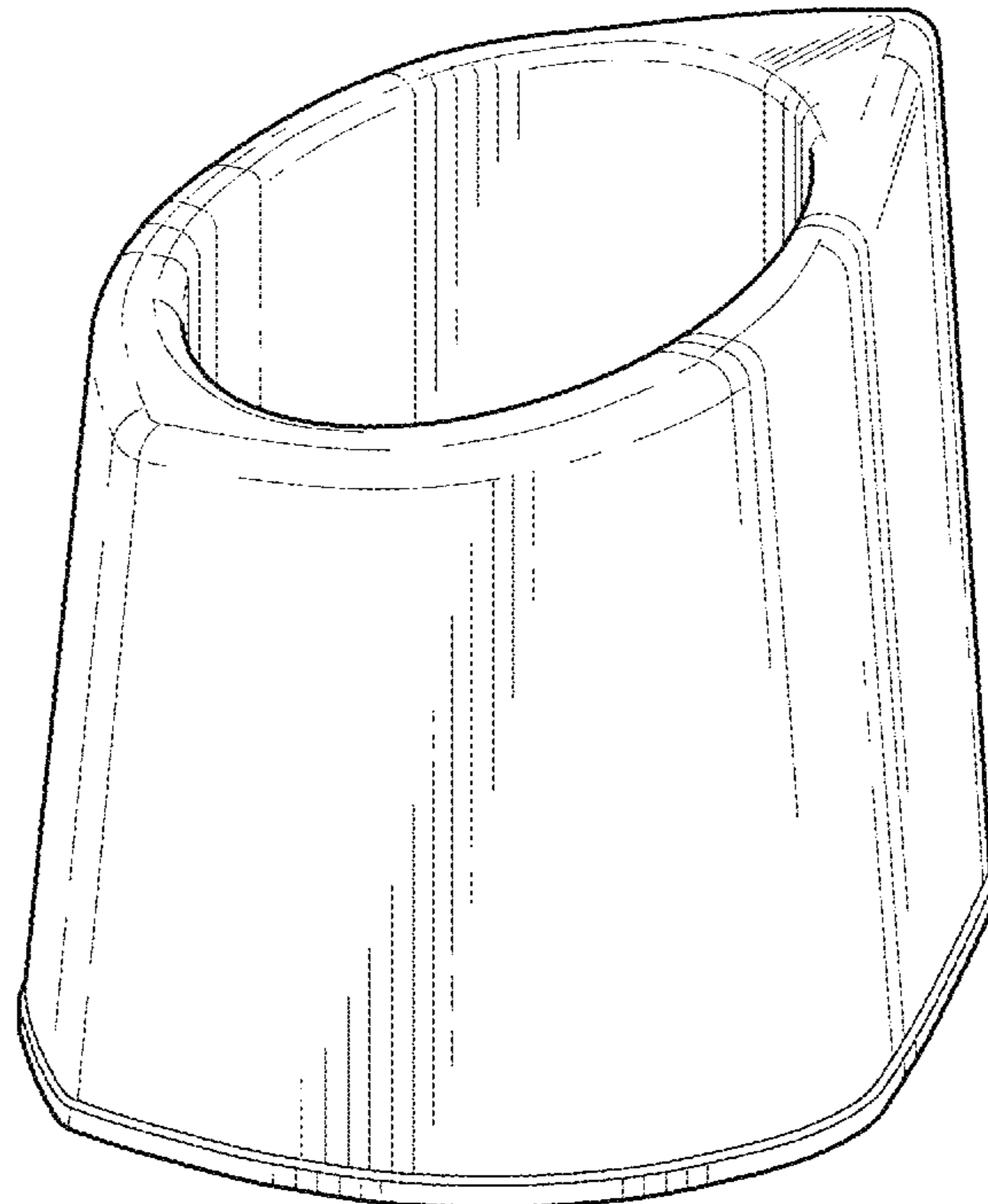
(57) **CLAIM**

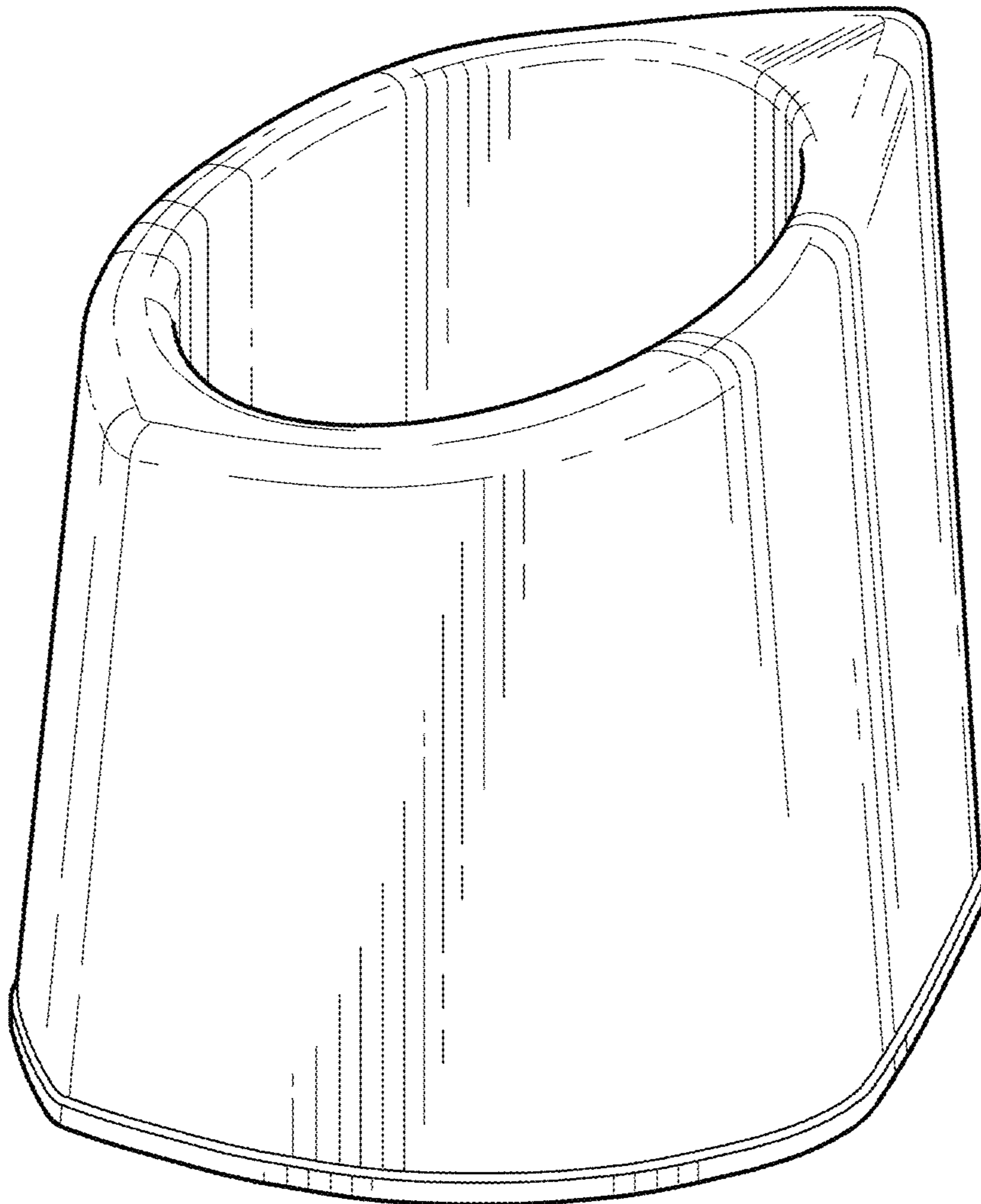
The ornamental design for a toilet brush caddy, as shown and described.

**DESCRIPTION**

FIG. 1 is a perspective view of an embodiment of the toilet brush caddy comprising a new design;  
 FIG. 2 is a side view of FIG. 1;  
 FIG. 3 is another side view of FIG. 1;  
 FIG. 4 is a rear view of FIG. 1;  
 FIG. 5 is a front view of FIG. 1;  
 FIG. 6 is a top of FIG. 1;  
 FIG. 7 is a bottom of FIG. 1; and,  
 FIG. 8 is a perspective view of the toilet brush caddy shown in FIG. 1 including a brush fitted therein and shown in dotted lines for illustrative purpose only.  
 The broken lines shown in the figures represent portions of a toilet brush caddy that form no part of the claimed design.

**1 Claim, 8 Drawing Sheets**





**FIG. 1**

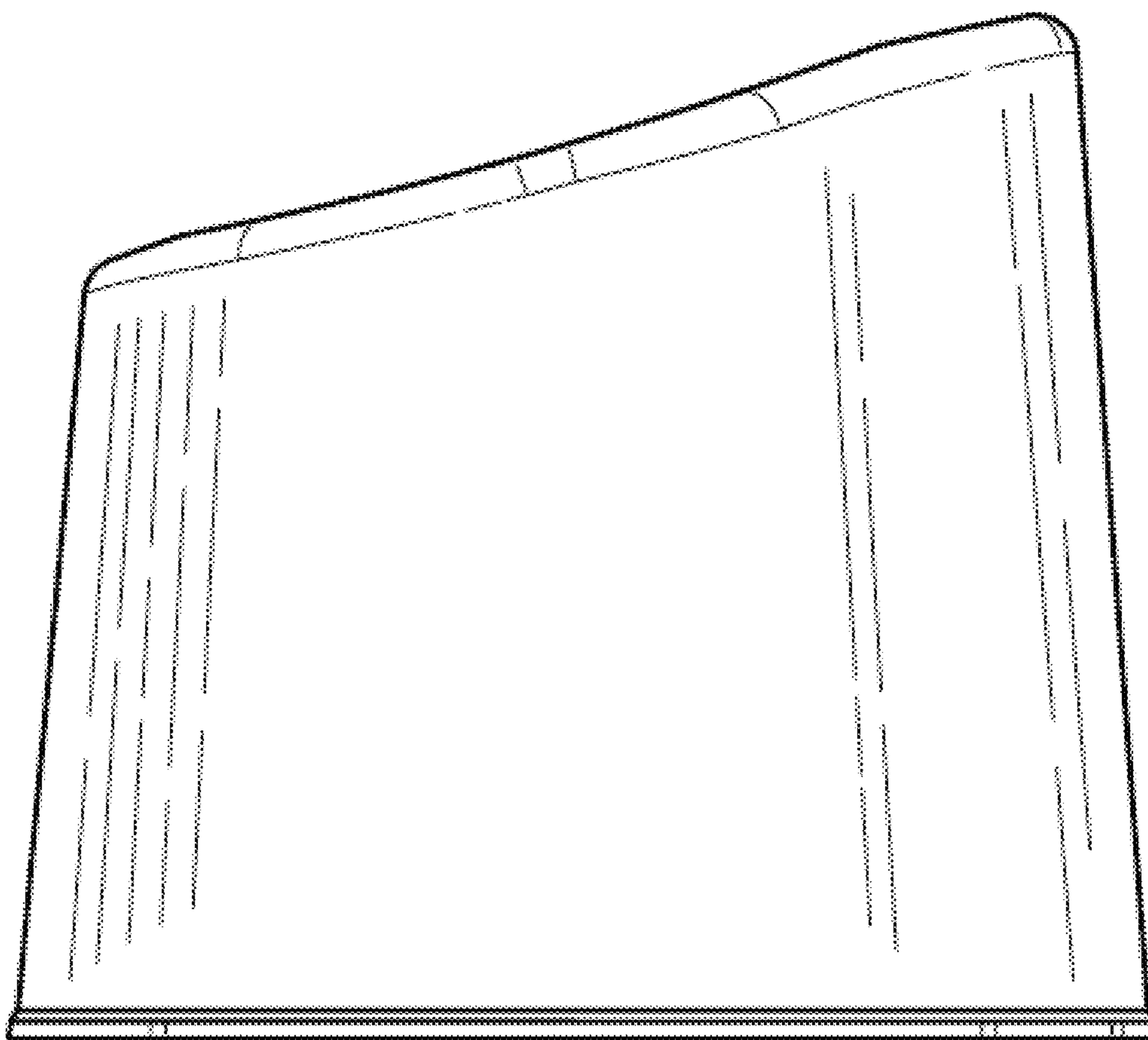


FIG. 2

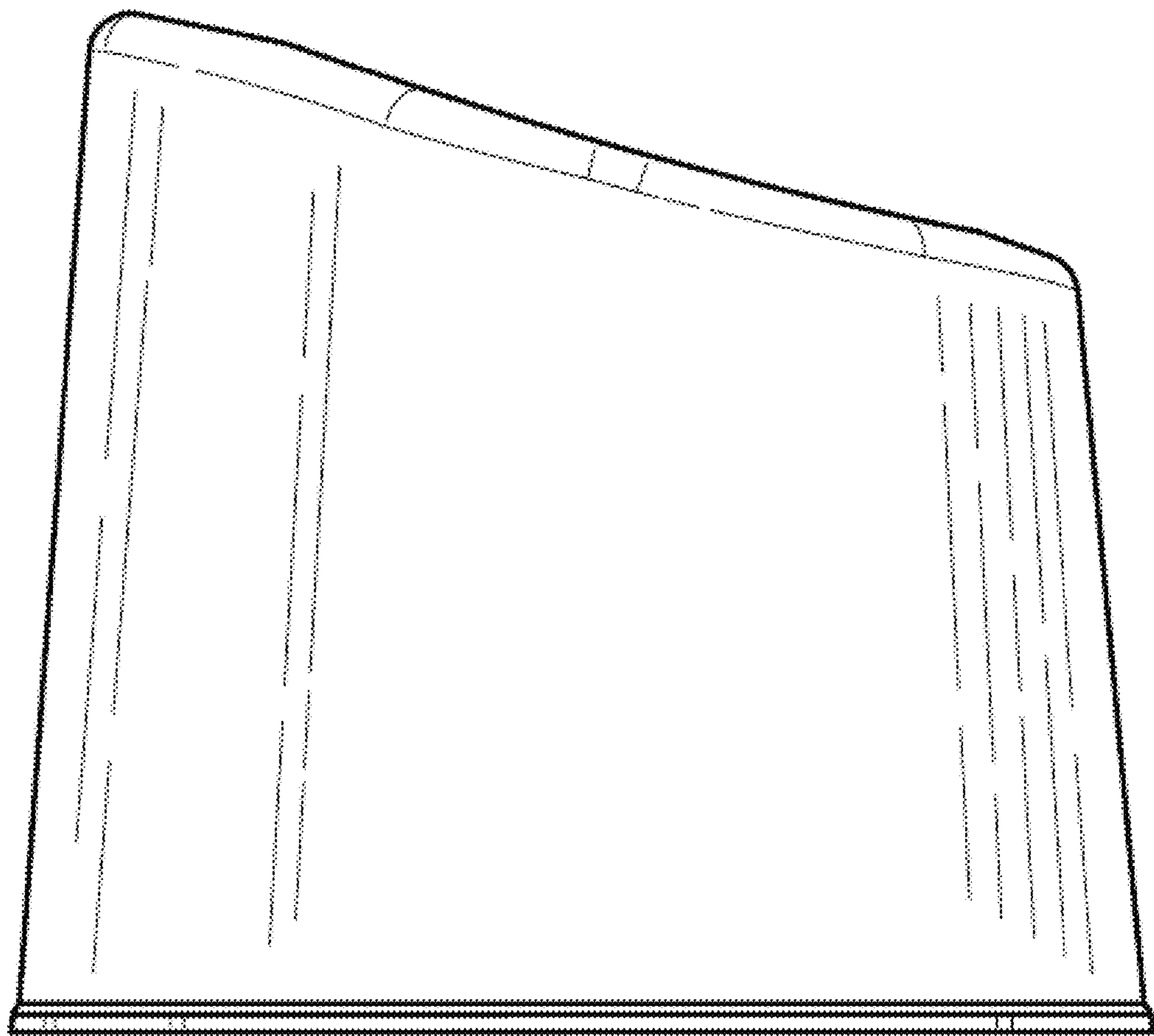


FIG. 3

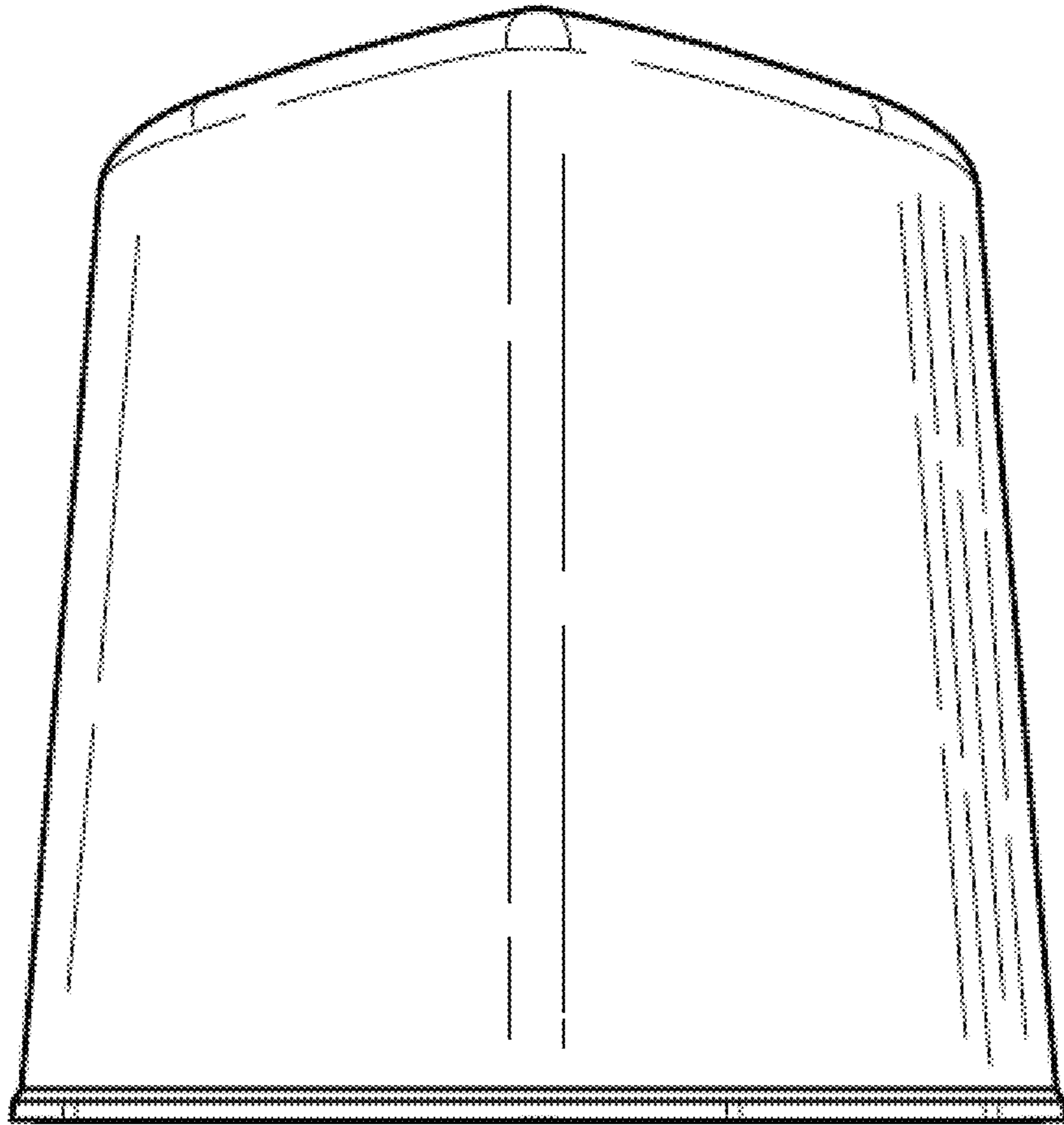


FIG. 4



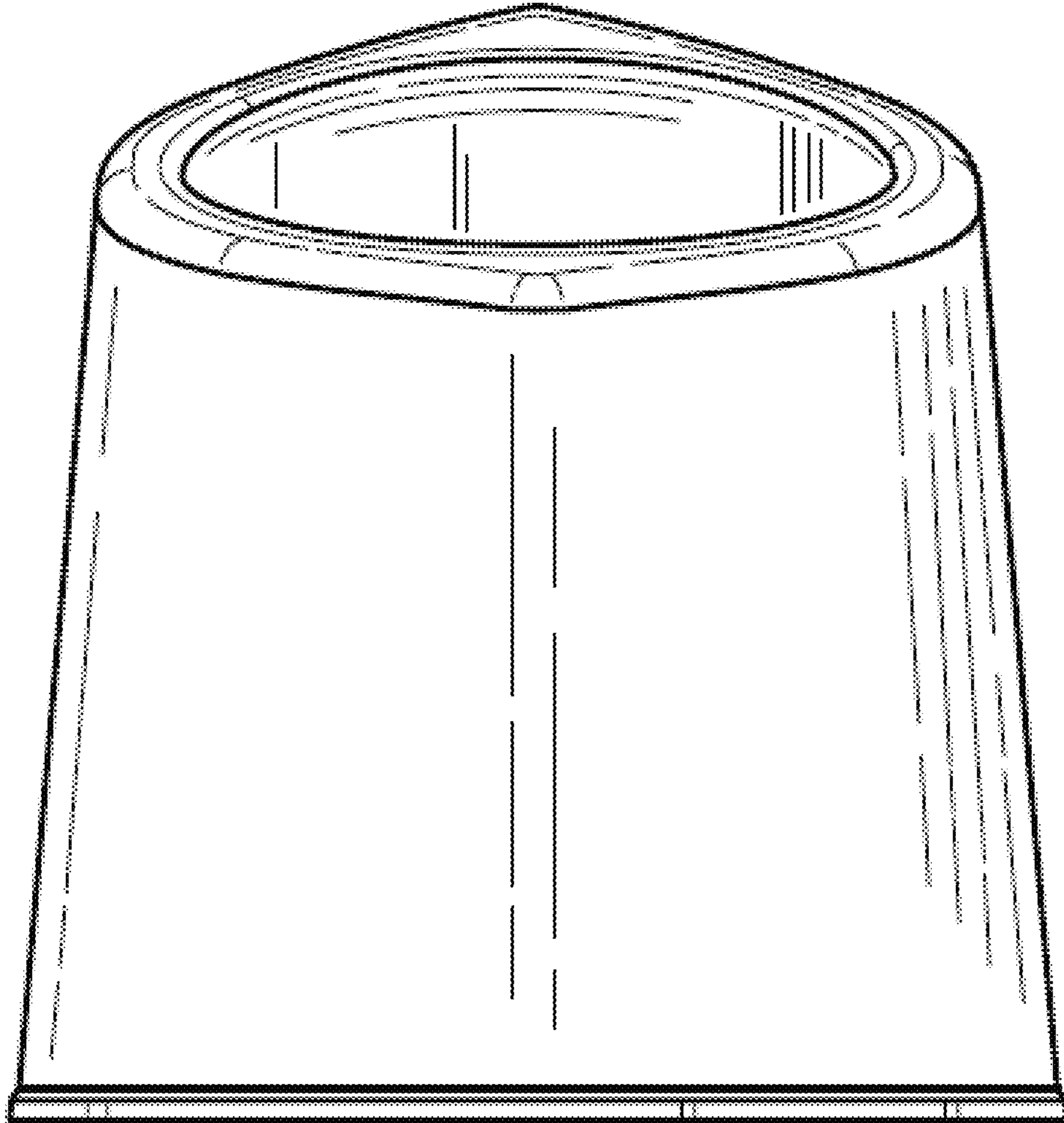


FIG. 5

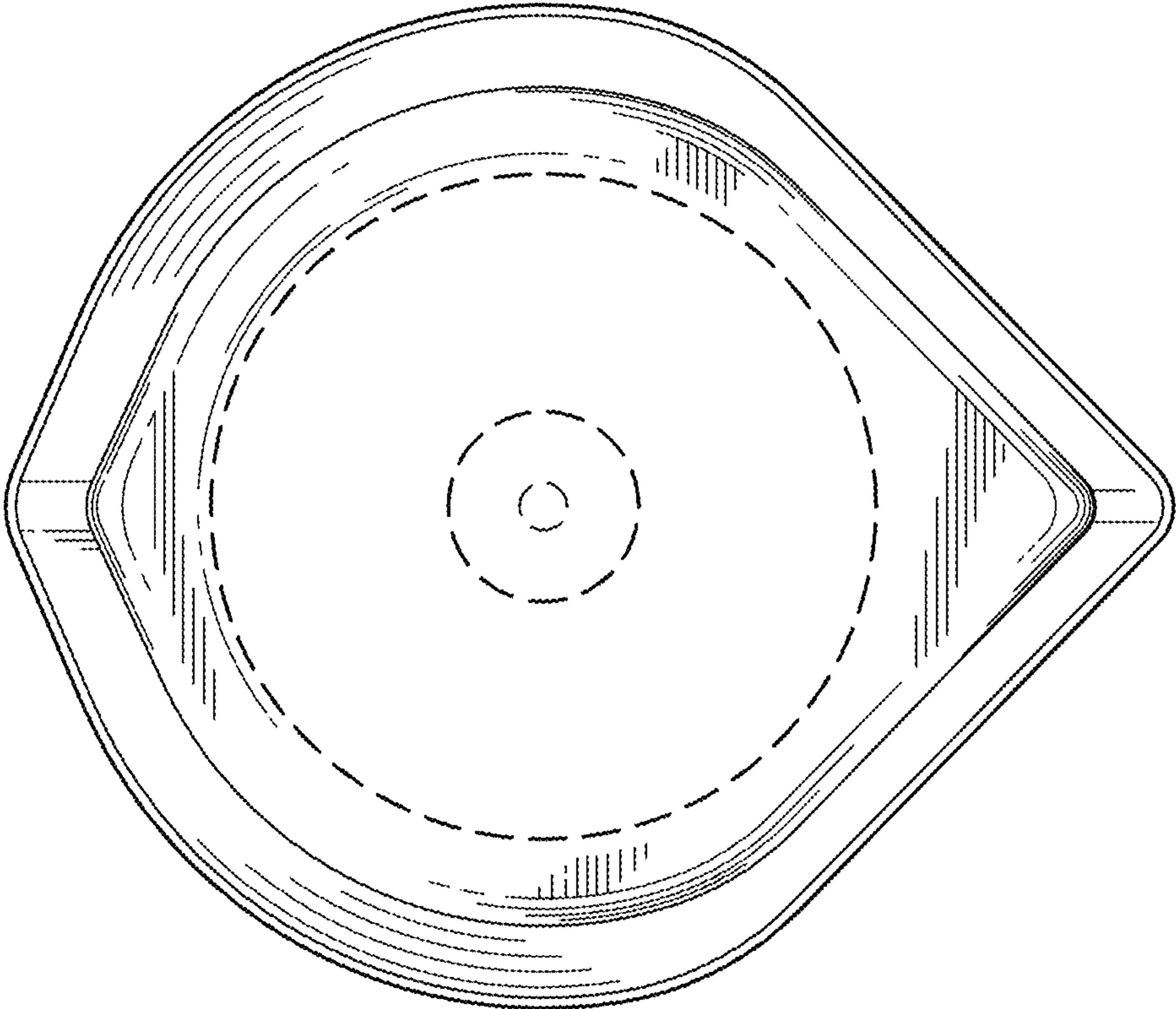


FIG. 6

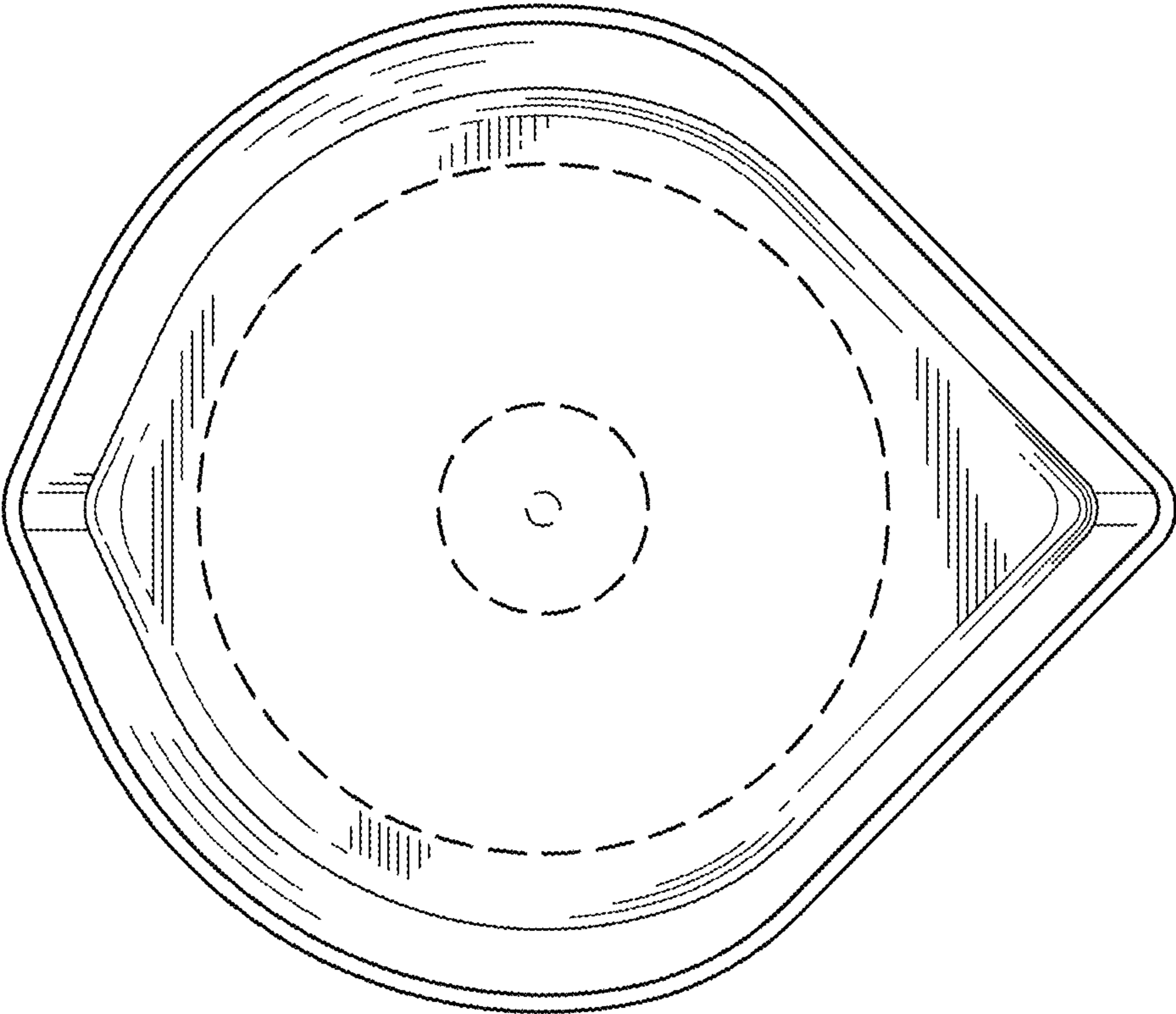


FIG. 7



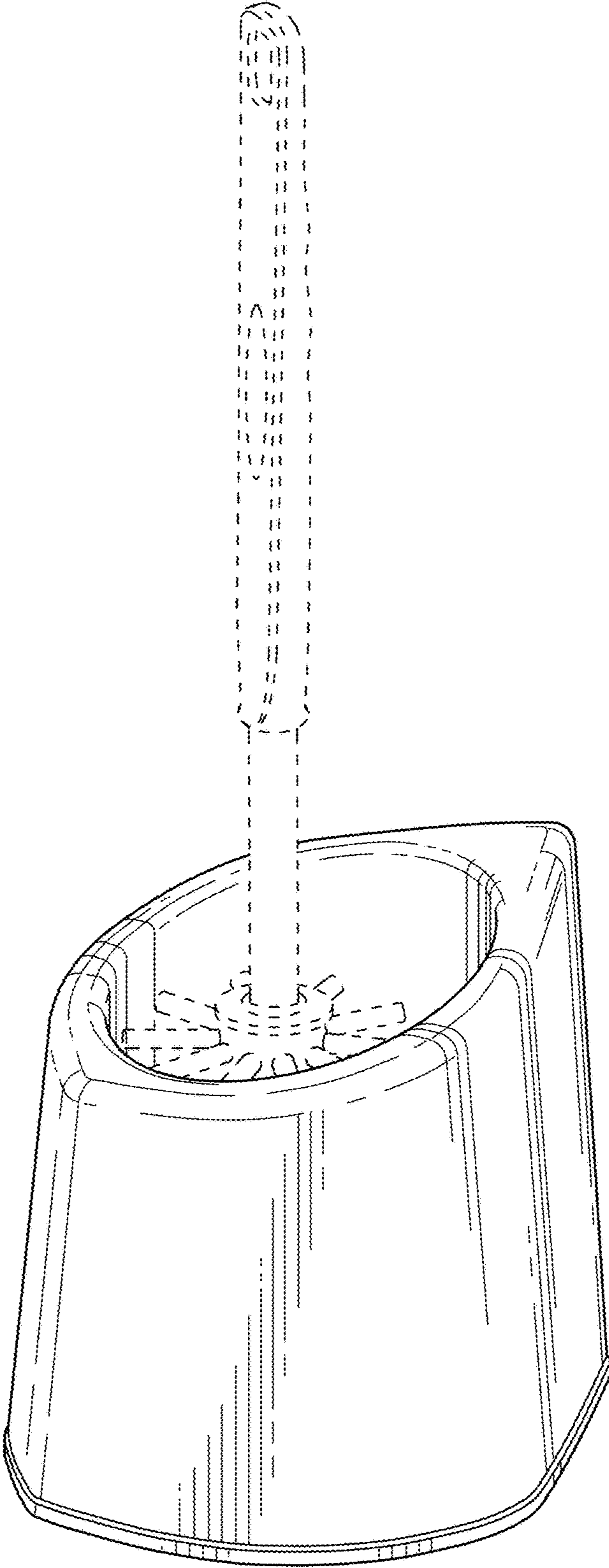


FIG. 8