



US00D773852S

(12) **United States Design Patent** (10) **Patent No.:** **US D773,852 S**  
**Kuo** (45) **Date of Patent:** **\*\* Dec. 13, 2016**

(54) **RACK BASE**  
(71) Applicant: **Jerry Kuo-Yung Kuo**, Taichung (TW)  
(72) Inventor: **Jerry Kuo-Yung Kuo**, Taichung (TW)  
(\*\*) Term: **15 Years**  
(21) Appl. No.: **29/561,356**  
(22) Filed: **Apr. 15, 2016**  
(51) **LOC (10) Cl.** ..... **06-04**  
(52) **U.S. Cl.**  
USPC ..... **D6/550**  
(58) **Field of Classification Search**  
USPC ..... D6/546-550, 518-524; 242/570, 590,  
242/595-598; 211/13.1, 16, 85.5, 86.01,  
211/87.01, 88.04, 100, 105.1, 105.2,  
211/106, 113, 123, 181.1, 182-183;  
248/49, 175, 176.1, 200, 201, 205.1,  
248/251, 302, 309.1, 315; D8/300,  
D8/370, 315; 108/28-29  
CPC ..... G01N 35/04; G01N 35/0092; Y10T  
436/113332; B01L 9/06; B01L 7/52  
See application file for complete search history.

(56) **References Cited**  
U.S. PATENT DOCUMENTS  
D465,369 S \* 11/2002 Moore ..... D6/546  
D478,755 S \* 8/2003 Moore ..... D6/524  
D493,990 S \* 8/2004 Ayers ..... D6/524

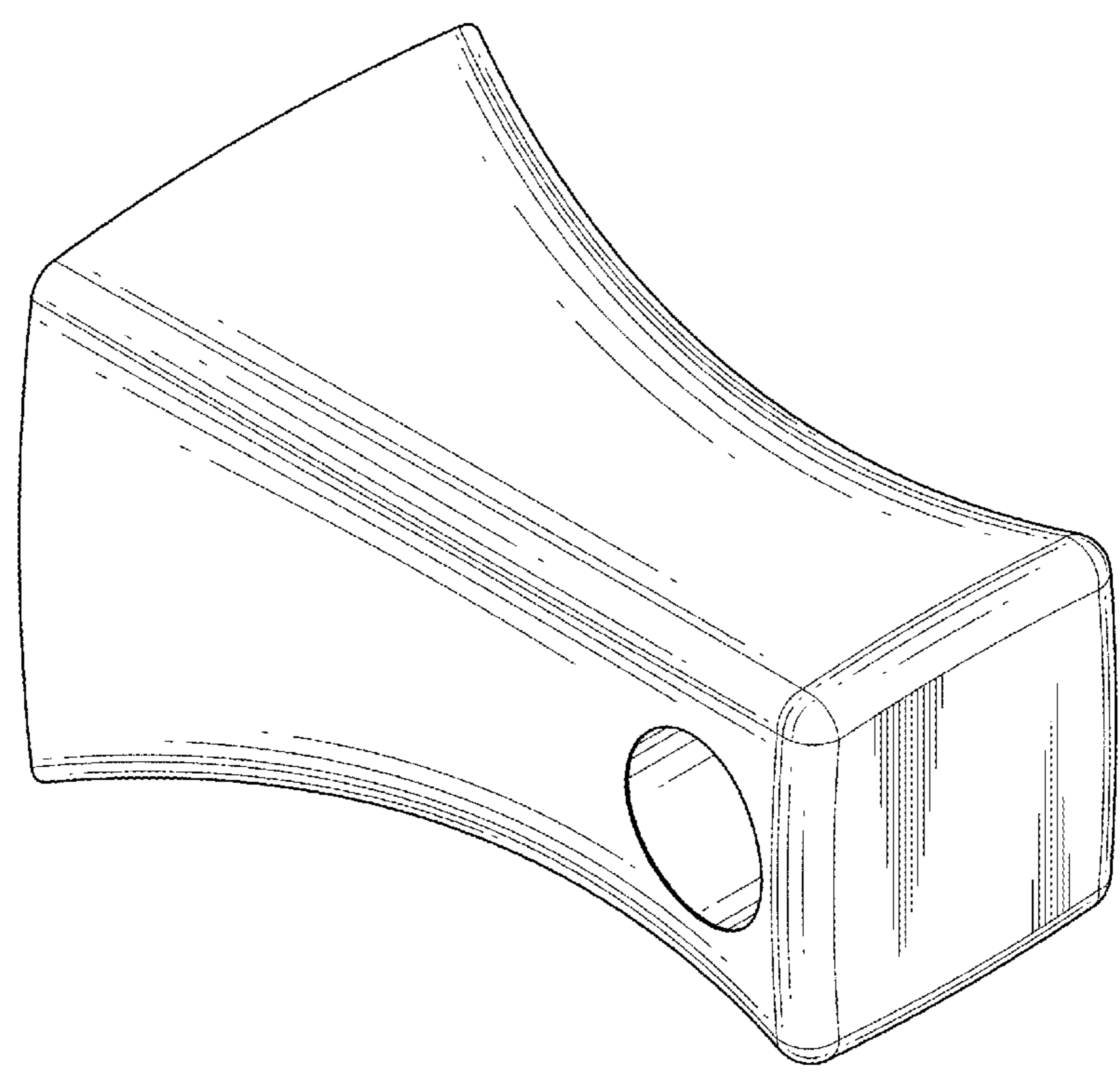
D533,643 S \* 12/2006 Veltz ..... D23/249  
D544,263 S \* 6/2007 Kakihana ..... D6/524  
D550,009 S \* 9/2007 Rexach ..... D6/524  
D563,131 S \* 3/2008 Ricereto ..... D6/524  
D569,670 S \* 5/2008 Chen ..... D6/550  
D573,823 S \* 7/2008 Ko ..... D6/524  
D583,600 S \* 12/2008 Ricereto ..... D6/524  
D661,146 S \* 6/2012 Gilbert ..... D6/524  
D707,056 S \* 6/2014 Gilbert ..... D6/524  
D753,931 S \* 4/2016 Schultz ..... D6/524

\* cited by examiner  
*Primary Examiner* — David Muller  
*Assistant Examiner* — Nathan Johnston  
(74) *Attorney, Agent, or Firm* — DLA Piper LLP (US)

(57) **CLAIM**  
The ornamental design for a rack base, as shown and described.

**DESCRIPTION**  
FIG. 1 is a perspective view of a rack base showing my new design;  
FIG. 2 is a front elevational view thereof;  
FIG. 3 is a left side elevational view thereof;  
FIG. 4 is a right side elevational view thereof;  
FIG. 5 is a top plan view thereof;  
FIG. 6 is a bottom plan view thereof; and,  
FIG. 7 is a perspective view of the design in state of use.  
The broken lines shown in FIG. 7 are for illustrating environment only and form no part of the claimed design.

**1 Claim, 7 Drawing Sheets**



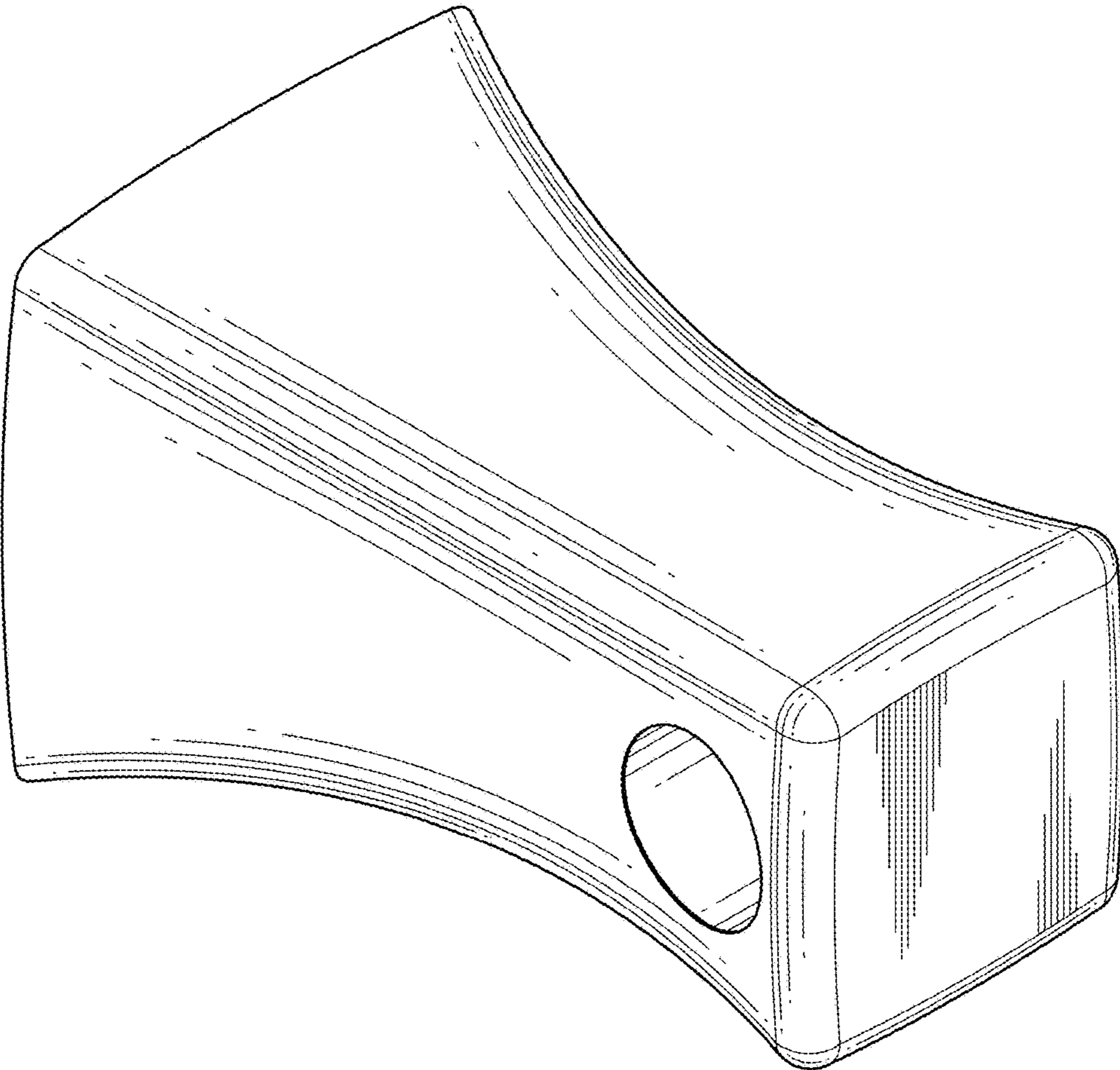


FIG.1

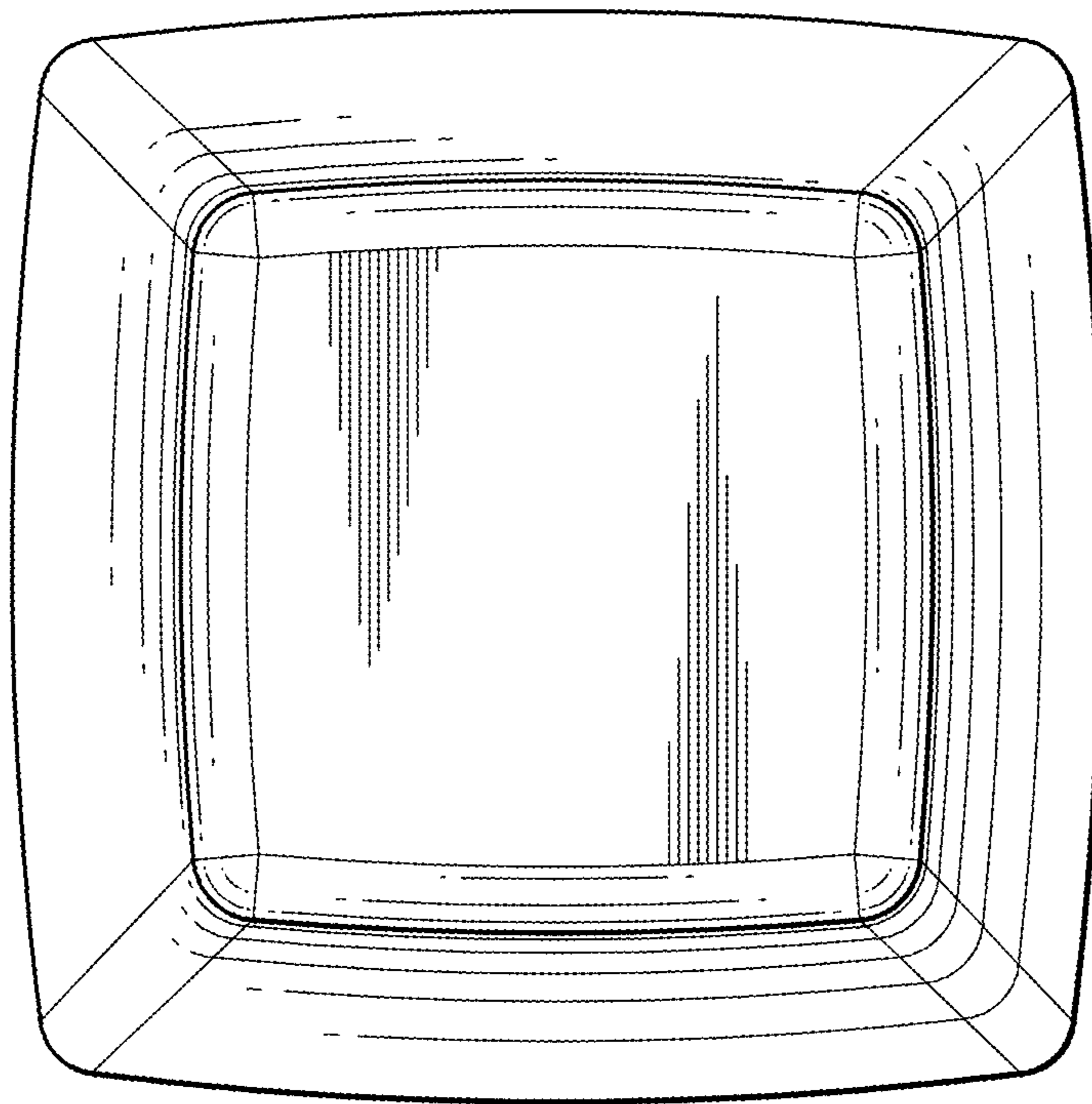


FIG.2

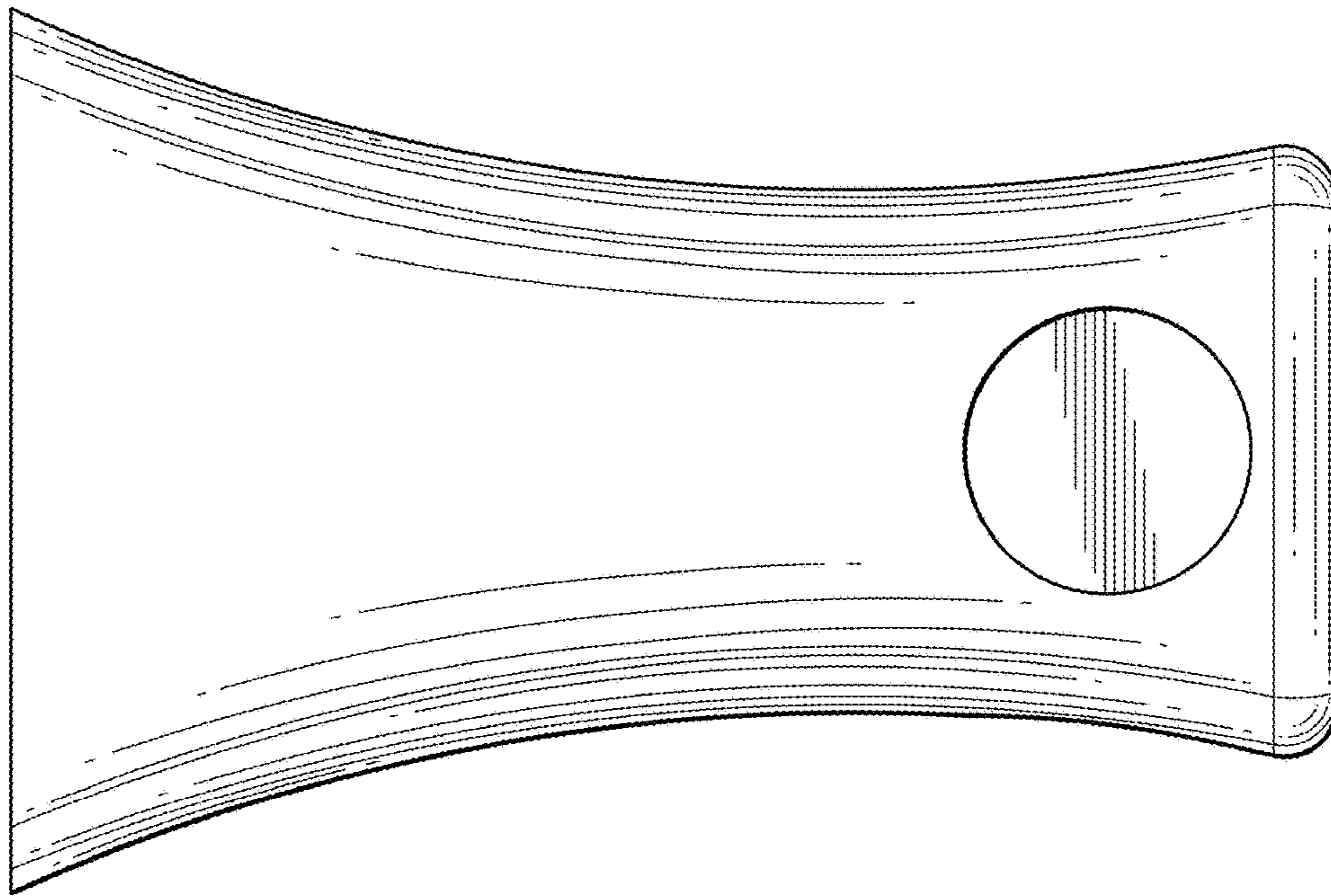


FIG.3

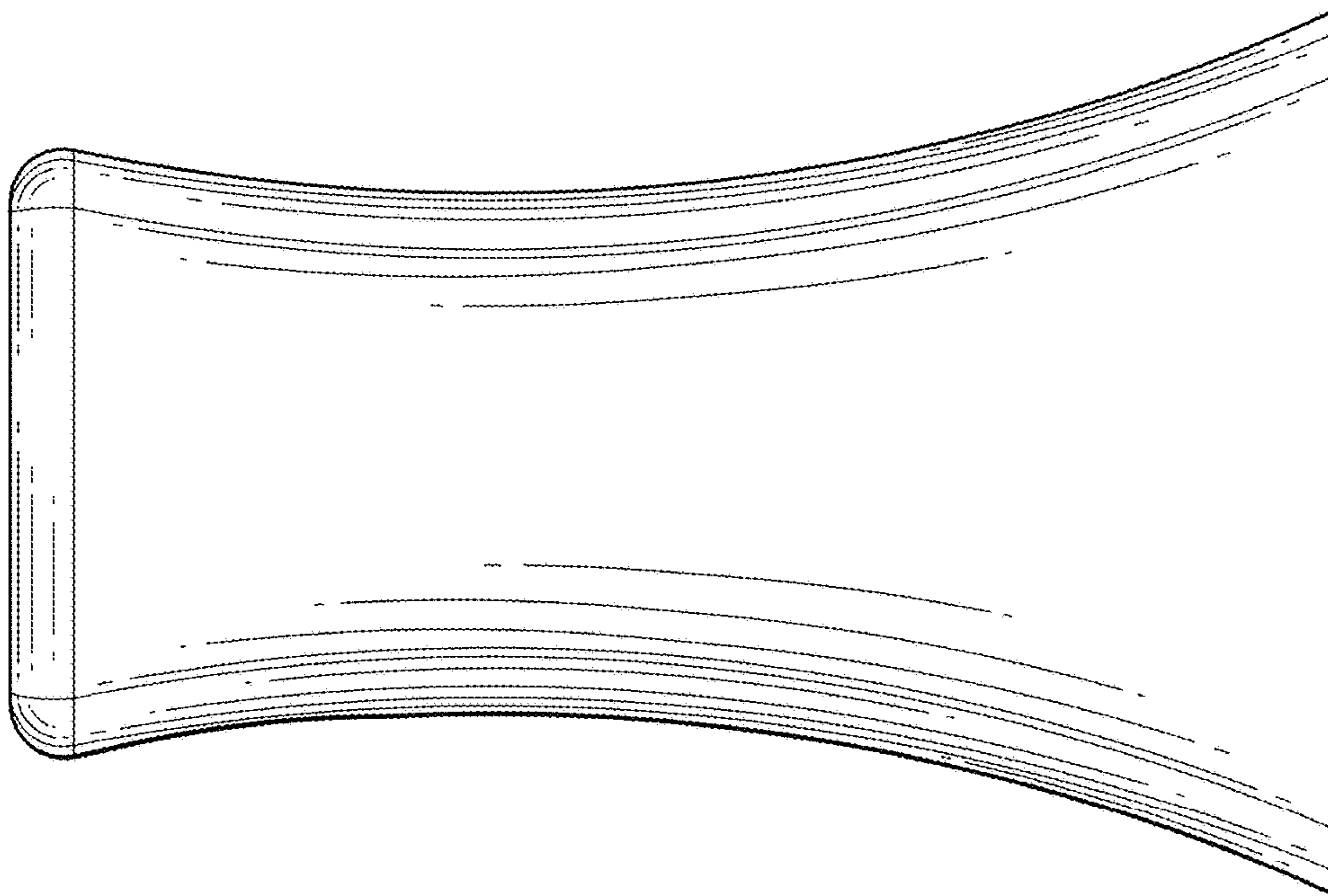


FIG.4

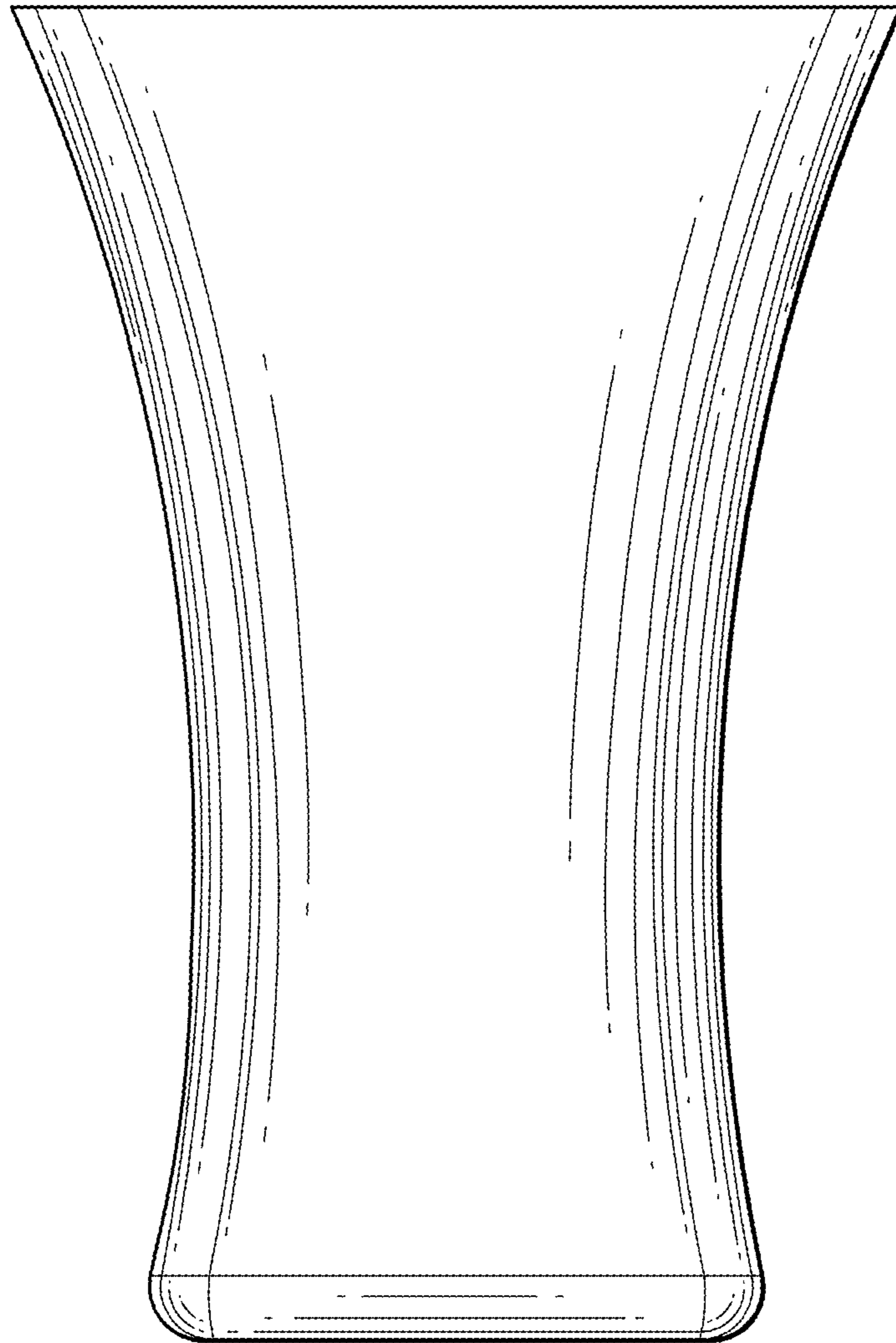


FIG. 5

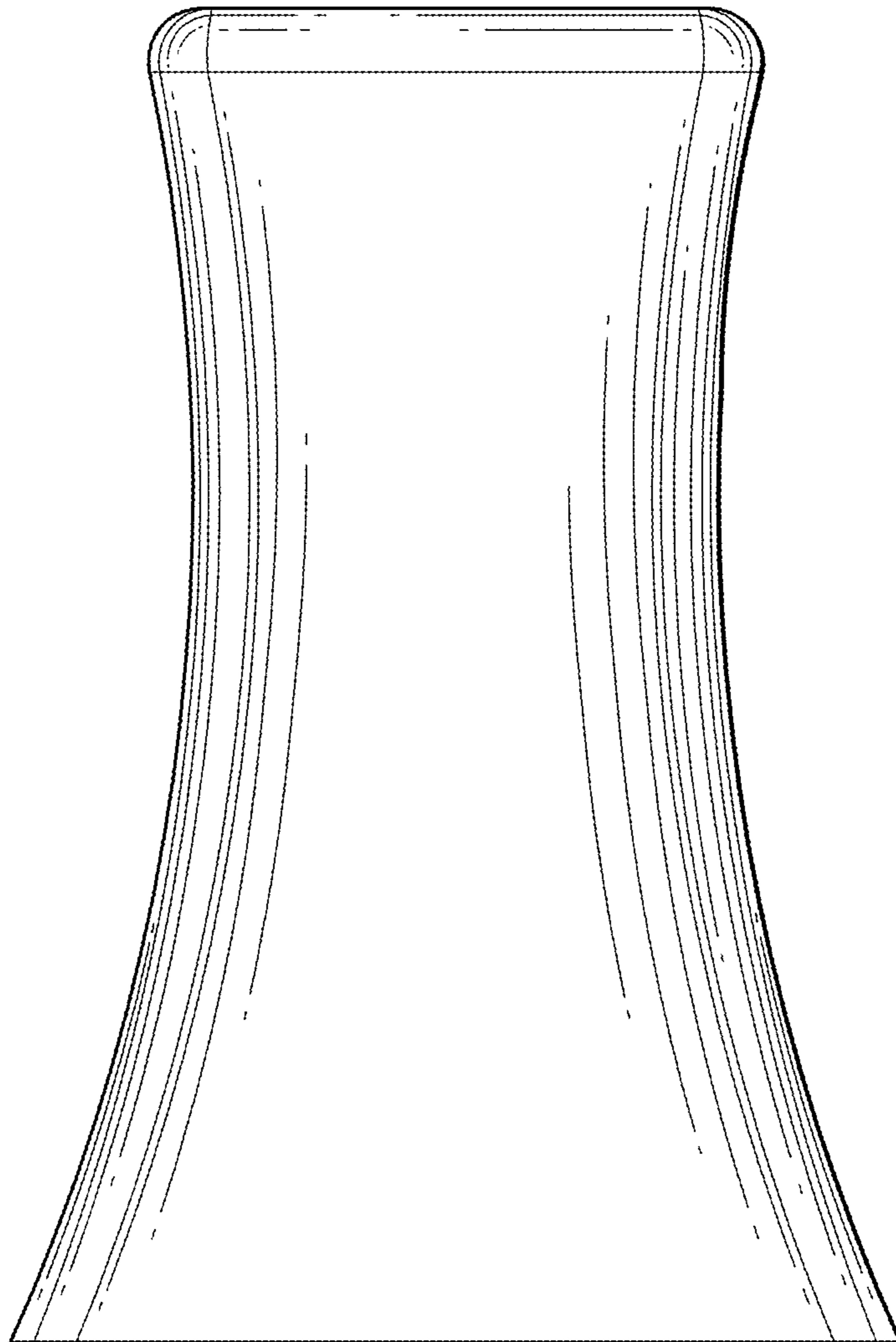


FIG.6

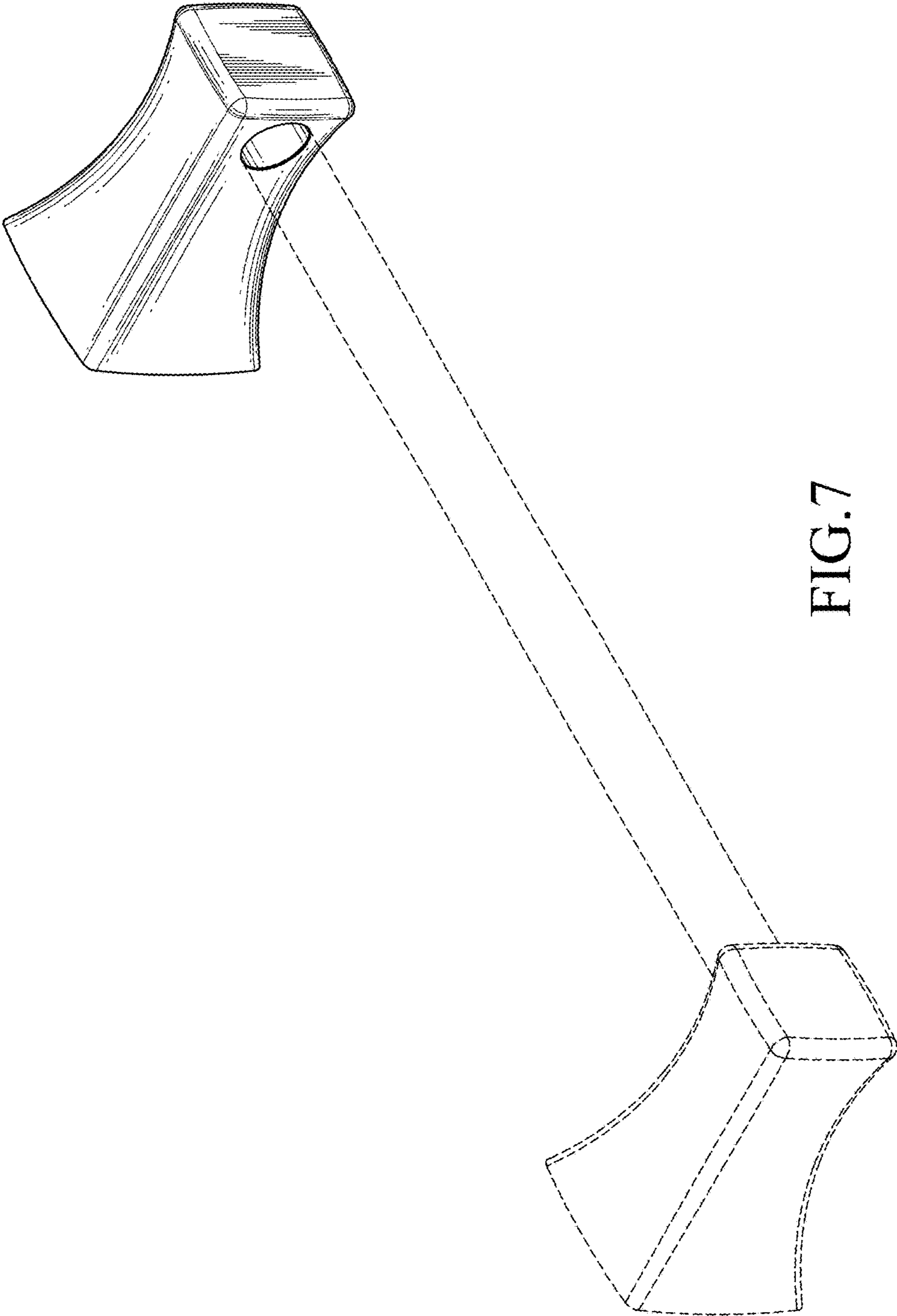


FIG. 7