



US00D773850S

(12) **United States Design Patent** (10) **Patent No.:** **US D773,850 S**
Schalitz et al. (45) **Date of Patent:** **** Dec. 13, 2016**

(54) **SOAP DISPENSER**

(71) Applicants: **William J. Schalitz**, Swanton, OH
(US); **Vishaal B. Verma**, Evanston, IL
(US)

(72) Inventors: **William J. Schalitz**, Swanton, OH
(US); **Vishaal B. Verma**, Evanston, IL
(US)

(**) Term: **15 Years**

(21) Appl. No.: **29/534,011**

(22) Filed: **Jul. 24, 2015**

(51) **LOC (10) Cl.** **23-02**

(52) **U.S. Cl.**
USPC **D6/542**

(58) **Field of Classification Search**
USPC D6/542, 545, 543-544; 221/208, 282,
221/283; 222/105, 173, 180, 181.1, 181.2,
222/181.3
CPC A47K 5/12; A47K 5/1204; A47K 5/1205;
A47K 5/1207; A47K 5/08; A47K 5/1202;
A47K 5/1214; A47K 5/1215; A47K 5/14;
A47K 5/16; A47K 7/04
See application file for complete search history.

(56) **References Cited**

U.S. PATENT DOCUMENTS

D604,545 S * 11/2009 Law D6/545
D616,683 S * 6/2010 Law D6/545

D616,684 S * 6/2010 Ciavarella D6/545
D629,237 S * 12/2010 Boshuizen D6/545
D687,652 S * 8/2013 Lin D6/542
D706,550 S * 6/2014 Sun Ting Kung D6/545
D731,203 S * 6/2015 Watson D6/542

* cited by examiner

Primary Examiner — Wan Laymon

Assistant Examiner — Mark Booker

(74) *Attorney, Agent, or Firm* — Shumaker, Loop &
Kendrick, LLP

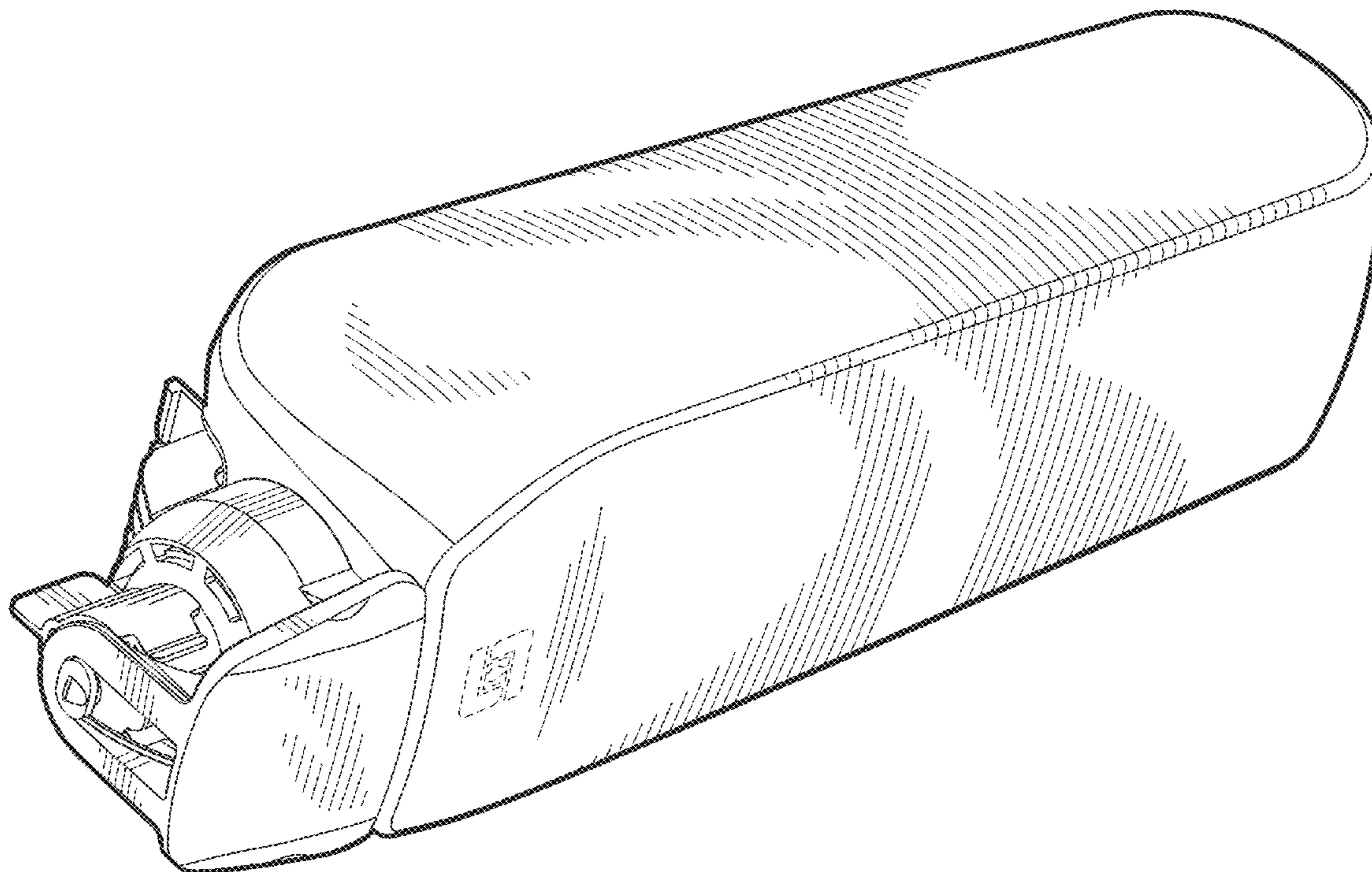
(57) **CLAIM**

The ornamental design for a soap dispenser, as shown and described.

DESCRIPTION

FIG. 1 is a front and left side perspective view of the new design for a soap dispenser;
FIG. 2 is a back perspective view thereof;
FIG. 3 is another back perspective view thereof;
FIG. 4 is a reduced front view thereof;
FIG. 5 is a reduced right side view thereof, the left side is a mirror image of the right side;
FIG. 6 is another reduced back view thereof;
FIG. 7 is a reduced top view thereof; and,
FIG. 8 is a reduced bottom view thereof.
Portions of the soap dispenser shown in broken lines form no part of the claimed design.

1 Claim, 5 Drawing Sheets



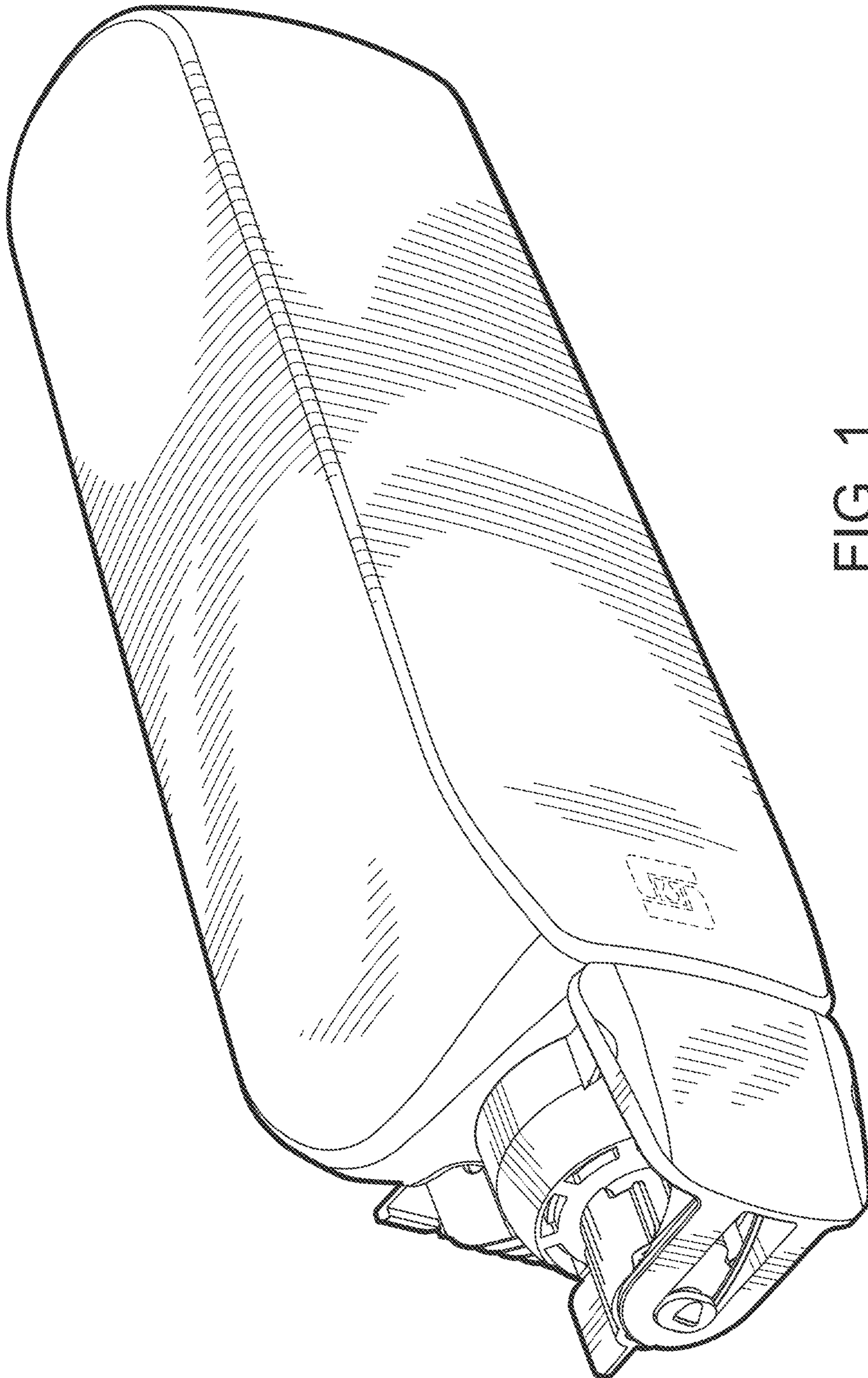


FIG. 1

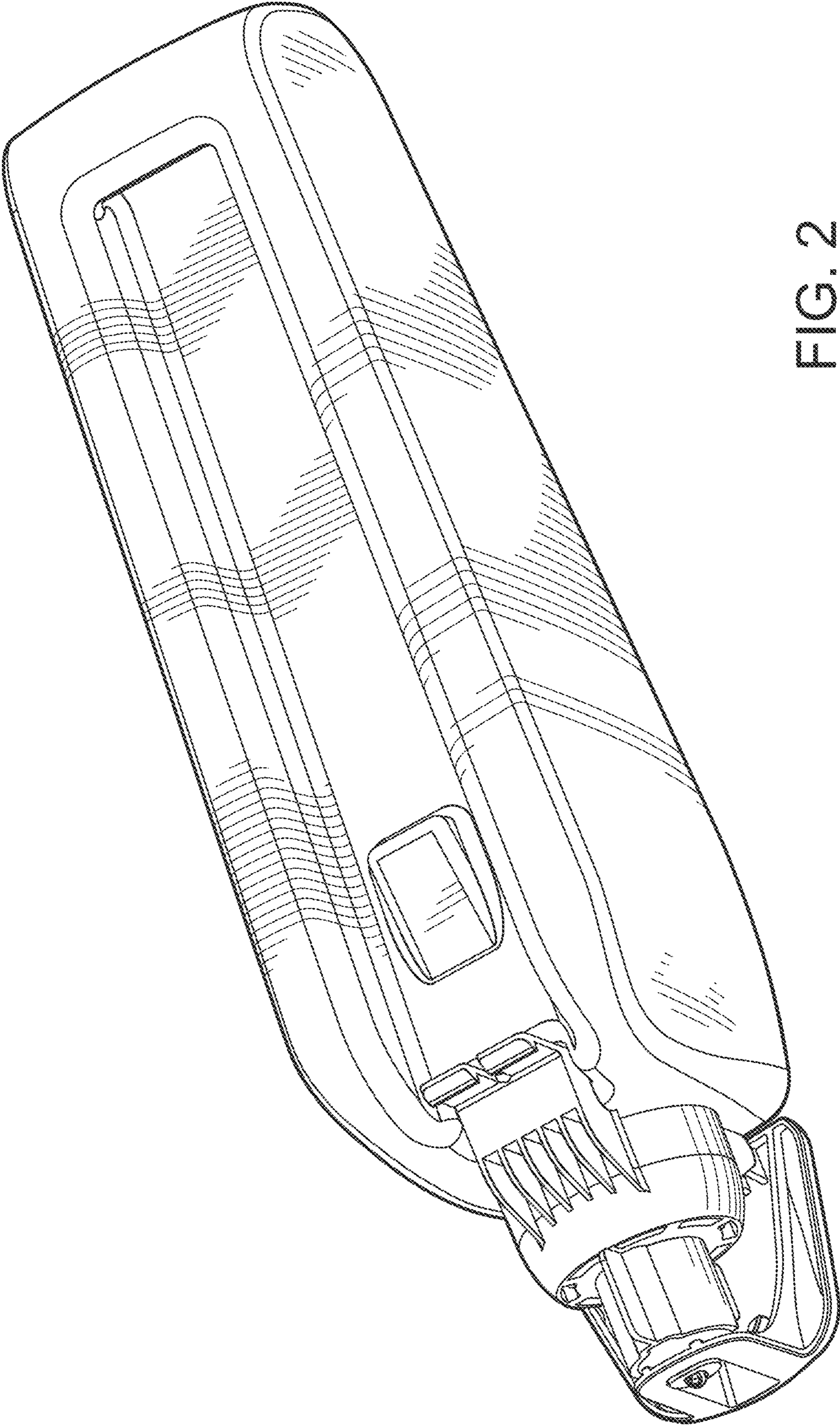


FIG. 2

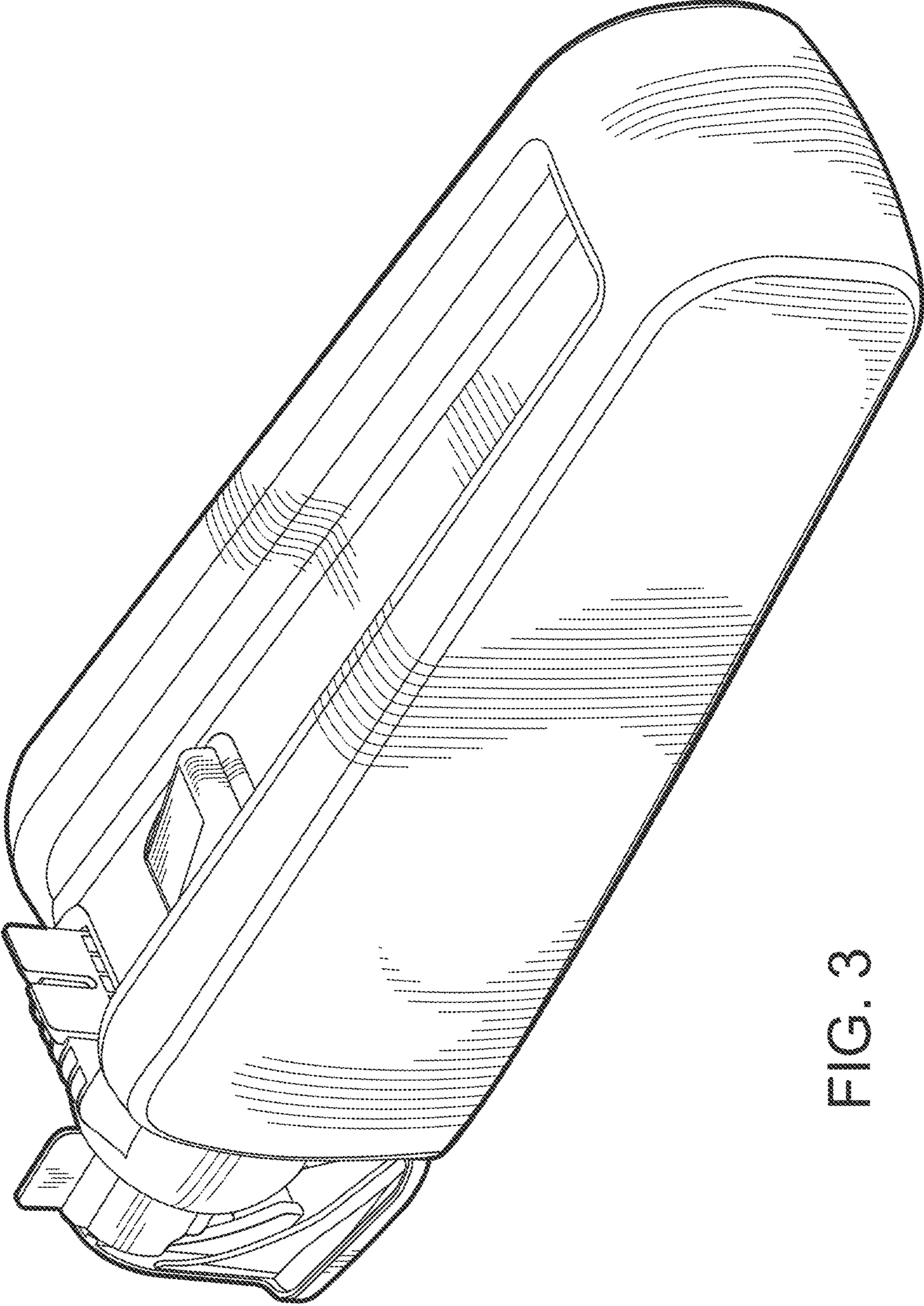


FIG. 3

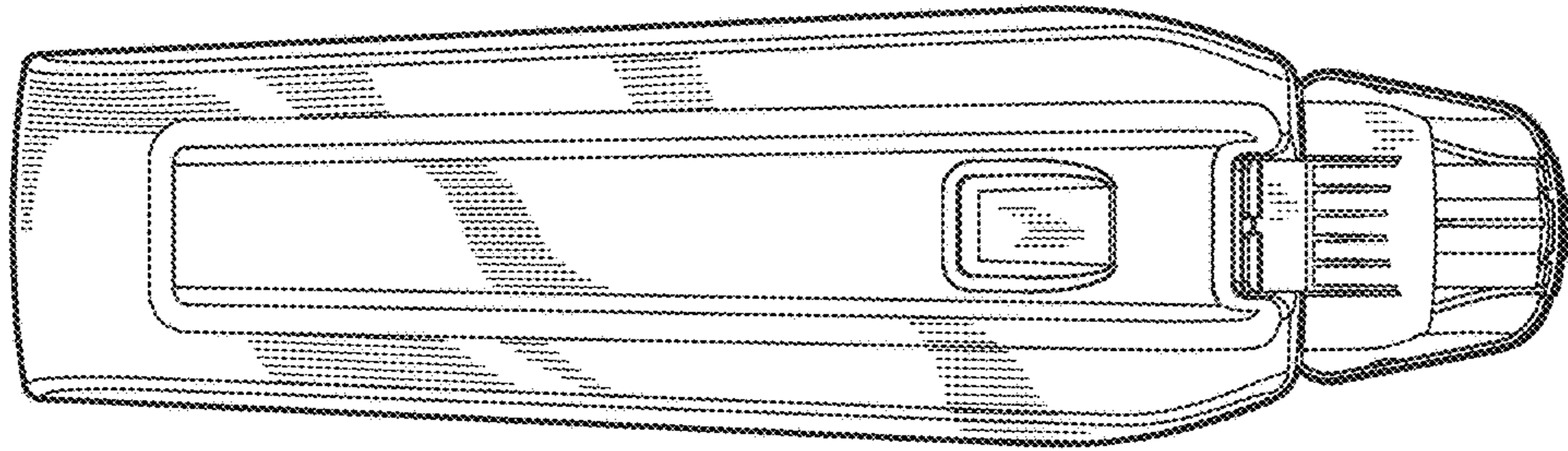


FIG. 4

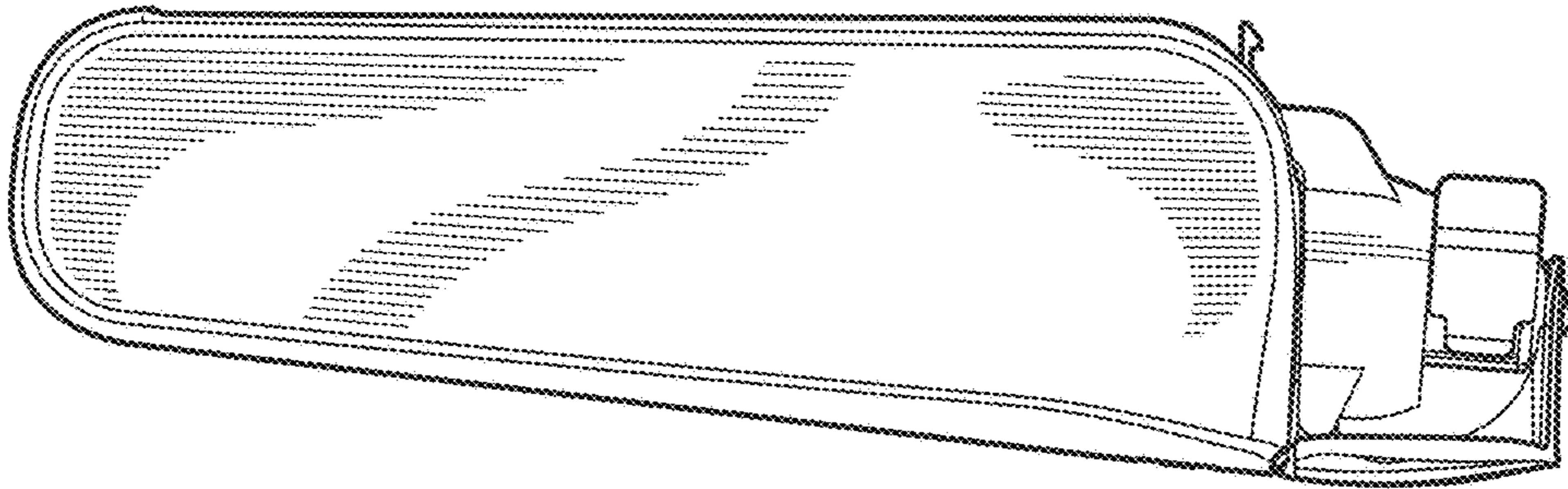


FIG. 5

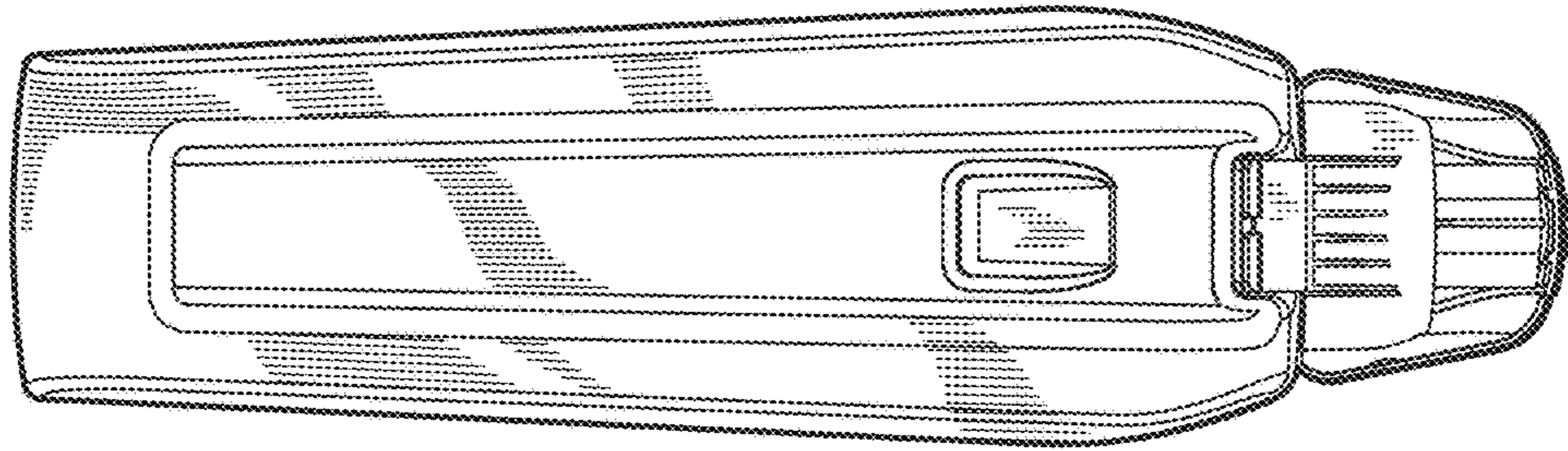


FIG. 6

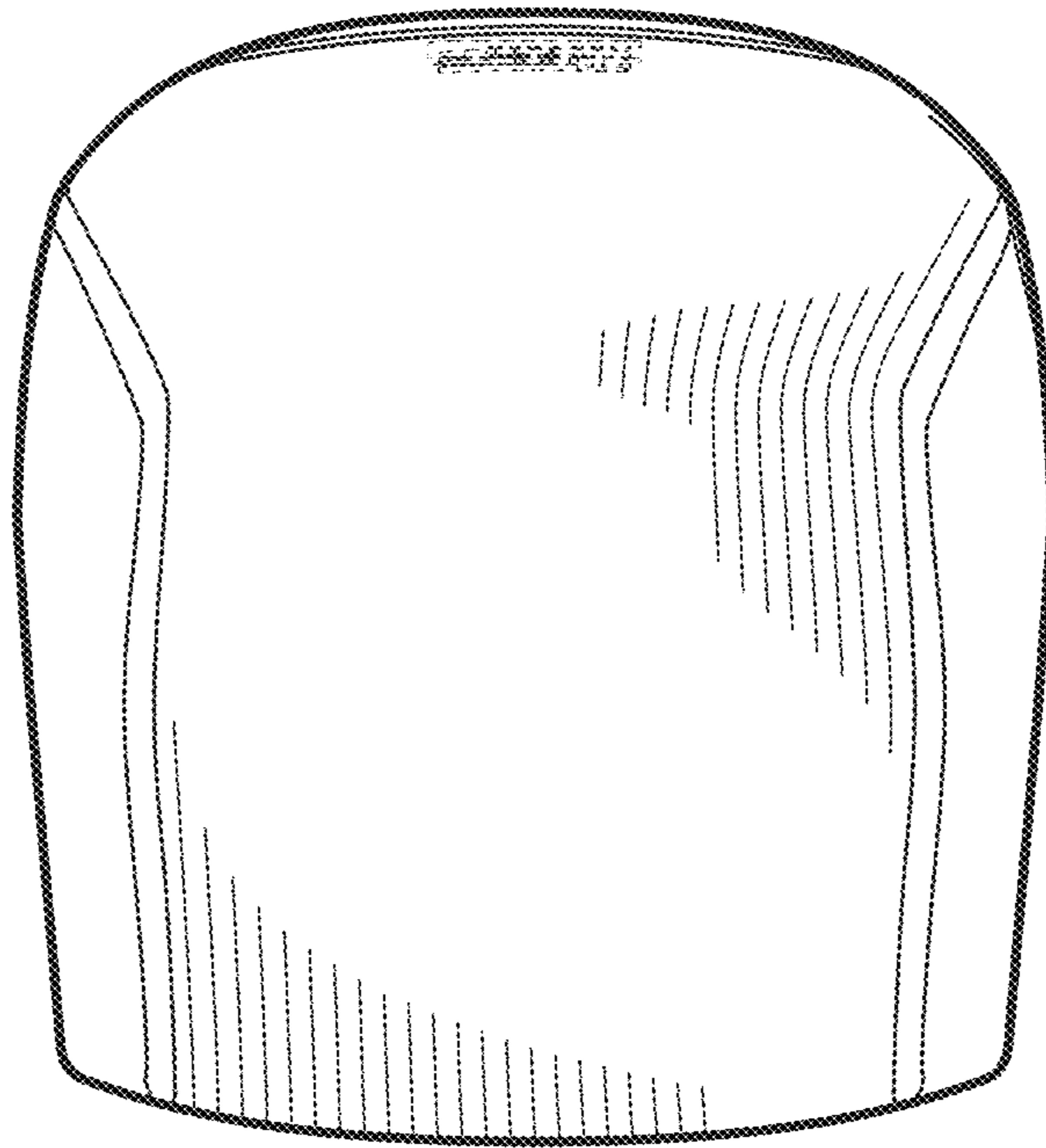


FIG. 7

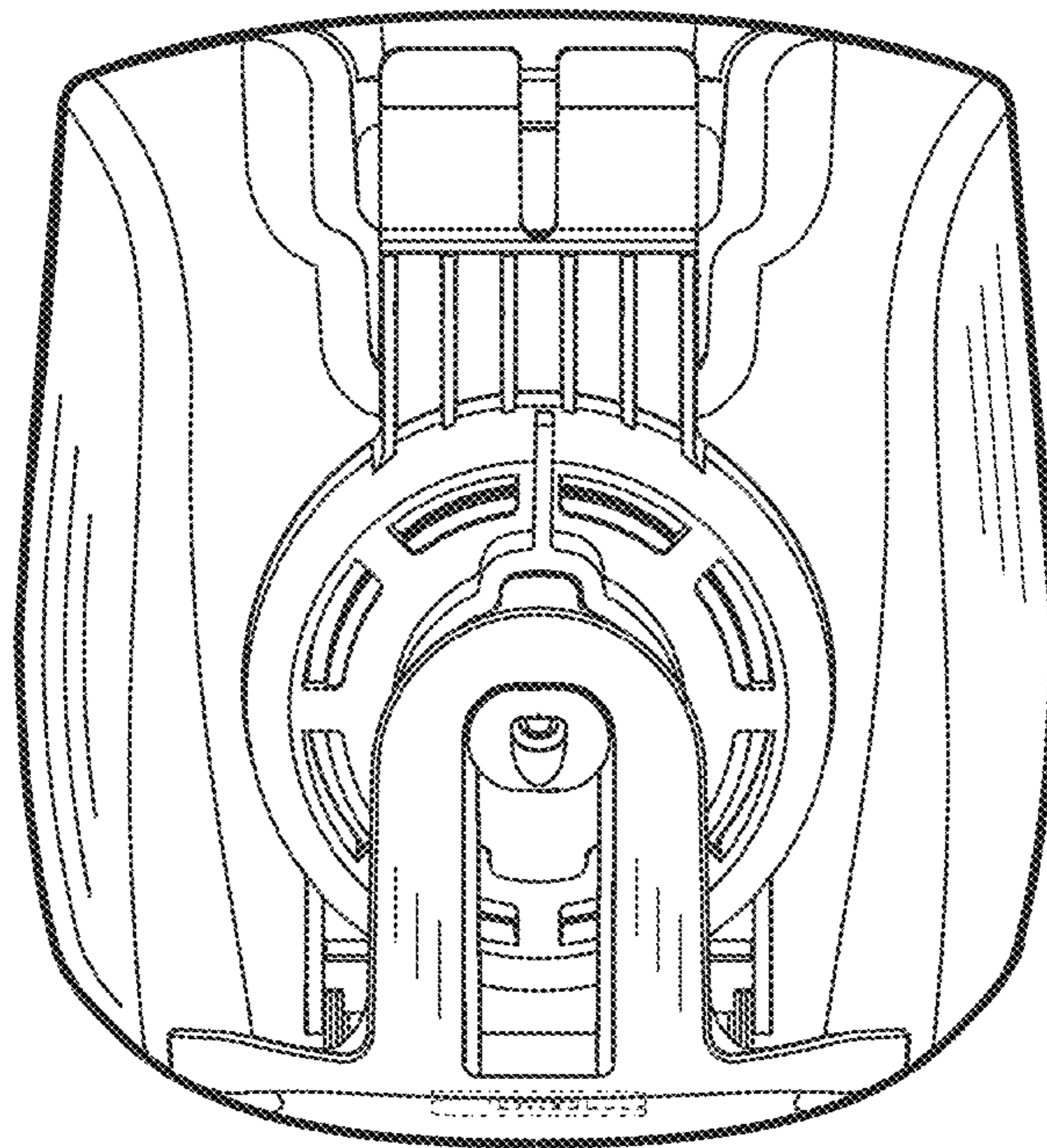


FIG. 8