



US00D773848S

(12) **United States Design Patent** (10) **Patent No.:** **US D773,848 S**
Yang et al. (45) **Date of Patent:** **** Dec. 13, 2016**

(54) **LIQUID DISPENSER CARTRIDGE**

3,220,954 A 11/1965 Malbe
3,631,736 A 1/1972 Saari
3,701,482 A 10/1972 Sachnik
4,046,289 A 9/1977 Teranishi
(Continued)

(71) Applicant: **simplehuman, LLC**, Torrance, CA (US)

(72) Inventors: **Frank Yang**, Rancho Palos Verdes, CA (US); **Kenneth Yen**, Redondo Beach, CA (US); **Myk Lum**, Irvine, CA (US); **Adam Wade**, Rancho Santa Margarita, CA (US)

FOREIGN PATENT DOCUMENTS

AU 364945 10/2015
CA 141847 4/2012
(Continued)

(73) Assignee: **simplehuman, LLC**, Torrance, CA (US)

OTHER PUBLICATIONS

U.S. Appl. No. 14/661,372.
(Continued)

(**) Term: **14 Years**

(21) Appl. No.: **29/519,741**

(22) Filed: **Mar. 6, 2015**

(51) **LOC (10) Cl.** **23-02**

(52) **U.S. Cl.**
USPC **D6/542**

(58) **Field of Classification Search**
USPC .. D6/512, 524, 542, 543, 544, 545; D9/695, 697, 729, 730, 520, 521
CPC A47F 1/085; A47G 19/24; A47G 21/12; B65D 83/267; B65D 23/003; B65D 83/40; B65D 81/365; B65D 5/32; B65D 55/026; B67D 3/0029; A47K 5/1217; A47K 5/02; B05B 11/062

See application file for complete search history.

Primary Examiner — John Windmuller
Assistant Examiner — Steven Czyz
(74) *Attorney, Agent, or Firm* — Knobbe, Martens, Olson & Bear, LLP

(57) **CLAIM**

The ornamental design for a liquid dispenser cartridge, as shown and described.

DESCRIPTION

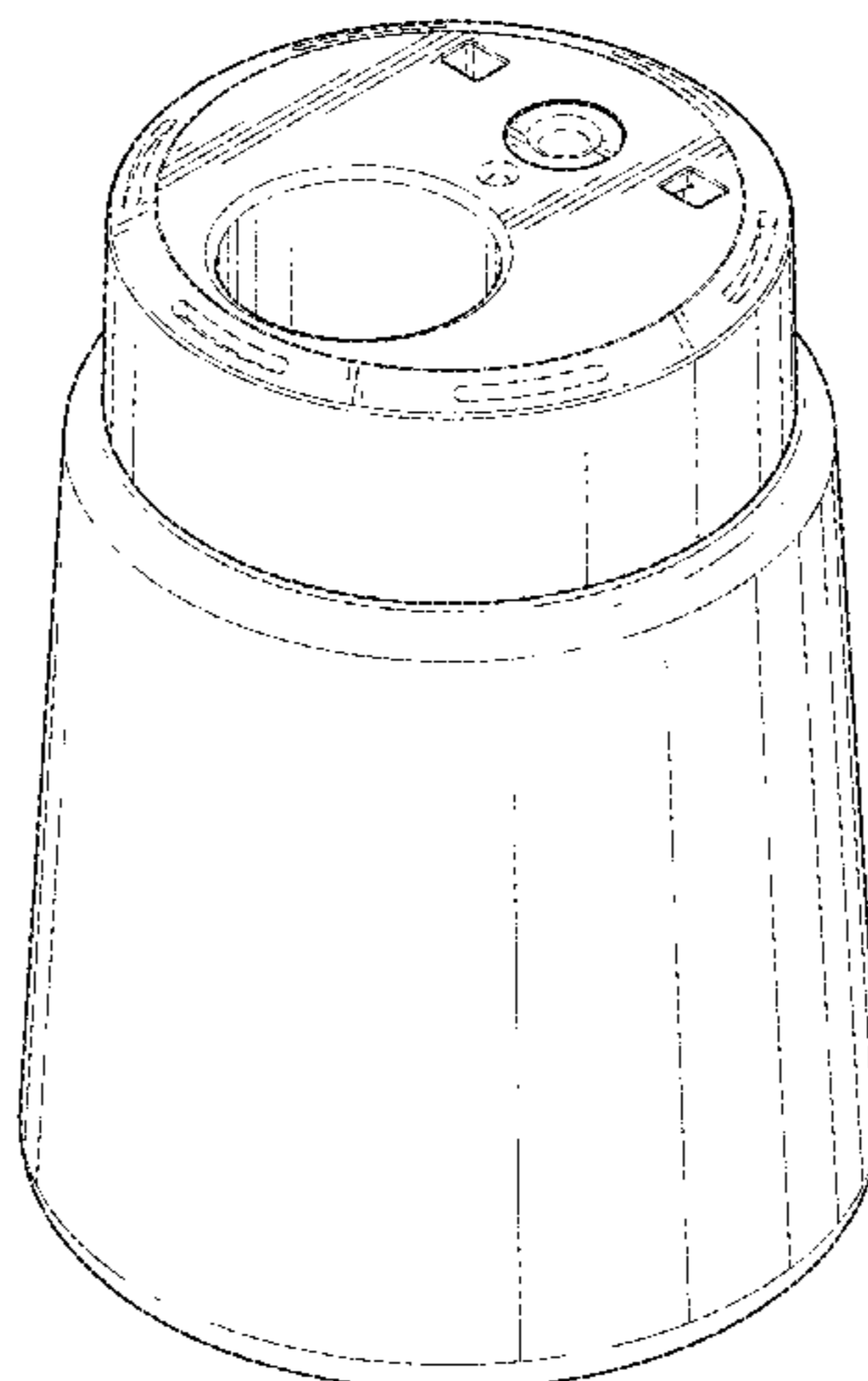
FIG. 1 is a top, front, right-side perspective view of a liquid dispenser cartridge embodying our design; FIG. 2 is a bottom, rear, right-side perspective view thereof; FIG. 3 is a left-side elevation view thereof, the right-side elevation view being a mirror image of the right-side elevation view; FIG. 4 is a front elevation view thereof, the rear elevation view being a mirror image of the front elevation view; FIG. 5 is a top plan view thereof; and, FIG. 6 is a bottom plan view thereof. The broken lines depict portions of the article that form no part of the claimed design.

1 Claim, 3 Drawing Sheets

(56) **References Cited**

U.S. PATENT DOCUMENTS

2,017,867 A 10/1935 Nantz
2,106,043 A 1/1938 Urquhart et al.
2,651,545 A 9/1953 Shotton
2,697,446 A 12/1954 Harrington
2,772,817 A 12/1956 Jauch
3,023,922 A 3/1962 Arrington et al.
3,149,754 A 9/1964 Kogan et al.



(56)

References Cited

U.S. PATENT DOCUMENTS

4,056,050 A	11/1977	Brown	7,296,765 B2	11/2007	Rodrian
4,113,147 A	9/1978	Frazier et al.	D564,273 S	3/2008	Yang et al.
4,217,993 A	8/1980	Jess et al.	7,337,635 B2	3/2008	Cerruti et al.
4,498,843 A	2/1985	Schneider et al.	D565,878 S	4/2008	Krus
4,524,805 A	6/1985	Hoffman	7,354,015 B2	4/2008	Byrd et al.
4,693,854 A	9/1987	Yau	D581,193 S	11/2008	Ghiorghie
4,722,372 A	2/1988	Hoffman et al.	D582,187 S	12/2008	Yang et al.
4,915,347 A	4/1990	Iqbal et al.	7,479,000 B2	1/2009	Klassen
4,921,131 A	5/1990	Binderbauer et al.	D593,784 S	6/2009	Chan
4,938,384 A	7/1990	Pilolla	7,540,397 B2	6/2009	Muderlak et al.
4,967,935 A	11/1990	Celest	D604,544 S	11/2009	Daams
5,028,328 A	7/1991	Long	7,637,893 B2	12/2009	Christensen et al.
5,082,150 A	1/1992	Steiner et al.	D608,578 S	1/2010	Yang et al.
5,169,040 A	12/1992	Wiley	D626,365 S	11/2010	Yang et al.
5,186,360 A	2/1993	Mease et al.	D644,523 S *	9/2011	Howell D9/520
5,199,118 A	4/1993	Cole et al.	D644,529 S *	9/2011	Padain D9/435
5,255,822 A	10/1993	Mease et al.	D644,530 S *	9/2011	Padain D9/435
5,271,528 A	12/1993	Chien	D644,531 S *	9/2011	Padain D9/435
5,305,916 A	4/1994	Suzuki et al.	8,087,543 B2	1/2012	Yang et al.
5,449,280 A	9/1995	Maki et al.	8,096,445 B2	1/2012	Yang et al.
5,466,131 A	11/1995	Altham et al.	8,109,301 B1	2/2012	Denise
5,472,719 A	12/1995	Favre	8,109,411 B2	2/2012	Yang et al.
5,477,984 A	12/1995	Sayama et al.	D658,915 S *	5/2012	Fernandes D6/542
5,632,414 A	5/1997	Merriweather, Jr.	D659,452 S	5/2012	Yang et al.
5,771,925 A	6/1998	Lewandowski	D659,454 S	5/2012	Fritz et al.
5,823,390 A	10/1998	Muderlak et al.	D660,061 S	5/2012	Fernandes et al.
5,829,636 A	11/1998	Vuong et al.	D661,531 S	6/2012	Tompkin
5,836,482 A	11/1998	Ophardt et al.	D661,933 S *	6/2012	DelGigante D6/542
5,960,991 A	10/1999	Ophardt	D663,983 S	7/2012	Yang et al.
D416,154 S	11/1999	Diehl	D664,387 S *	7/2012	Kennedy D6/542
5,988,451 A	11/1999	Hanna	D674,636 S	1/2013	Yang et al.
6,021,705 A	2/2000	Dijs	8,360,285 B2 *	1/2013	Grbesic A47G 19/183 222/181.3
6,021,960 A	2/2000	Kehat	D682,589 S	5/2013	Cheng
6,036,056 A	3/2000	Lee et al.	D688,488 S *	8/2013	Wang D6/524
6,048,183 A	4/2000	Meza	D689,299 S *	9/2013	Kassem Llano D6/524
D426,093 S	6/2000	Cayouette	D690,129 S *	9/2013	Clough D6/542
D426,413 S	6/2000	Kreitemier et al.	D690,130 S	9/2013	Clough et al.
6,126,290 A	10/2000	Veigel	D690,131 S	9/2013	Clough et al.
D433,944 S *	11/2000	Bernard D9/520	D690,530 S	10/2013	Clough et al.
D438,041 S	2/2001	Huang	8,550,378 B2 *	10/2013	Mazooji B05B 3/02 222/181.1
6,209,752 B1	4/2001	Mitchell et al.	D693,597 S	11/2013	Yang et al.
RE37,173 E	5/2001	Jefferson, Jr. et al.	D699,047 S	2/2014	Lissoni
6,269,735 B1	8/2001	Rolfes	D699,475 S	2/2014	Yang et al.
6,279,460 B1	8/2001	Pope	8,678,244 B2	3/2014	Yang et al.
6,279,777 B1	8/2001	Goodin et al.	D706,549 S *	6/2014	Cho D6/524
6,311,868 B1	11/2001	Krietemeier et al.	D717,066 S *	11/2014	Deacon D6/524
6,325,604 B1	12/2001	Du	D721,279 S *	1/2015	Van Handel D9/520
6,375,038 B1	4/2002	Daansen et al.	D727,653 S	4/2015	Bjerre-Poulsen et al.
6,390,329 B1	5/2002	Maddox	D731,203 S *	6/2015	Watson D6/542
6,443,328 B1	9/2002	Fehl et al.	D731,204 S *	6/2015	Watson D6/542
6,444,956 B1	9/2002	Witcher et al.	D732,308 S	6/2015	Enga et al.
6,557,584 B1	5/2003	Lucas et al.	9,265,383 B2	2/2016	Yang et al.
6,594,105 B1	7/2003	Brittner	2002/0179643 A1	12/2002	Knight et al.
D477,956 S *	8/2003	Grisdale D6/545	2002/0185002 A1	12/2002	Herrmann
6,619,938 B2	9/2003	Woodruff	2004/0032749 A1	2/2004	Schindler et al.
D483,974 S	12/2003	Reed	2004/0050875 A1	3/2004	Kobayashi
D486,335 S	2/2004	Sonneman	2004/0103792 A1	6/2004	Cirigliano et al.
6,698,616 B2	3/2004	Hidle et al.	2004/0134924 A1	7/2004	Hansen et al.
6,722,265 B2	4/2004	Priley	2004/0226962 A1	11/2004	Mazursky et al.
D490,262 S	5/2004	Graves et al.	2005/0139612 A1	6/2005	Matthews et al.
6,748,850 B1	6/2004	Kraan	2006/0067546 A1	3/2006	Lewis et al.
6,777,007 B2	8/2004	Cai	2006/0173576 A1	8/2006	Goerg et al.
6,805,042 B2	10/2004	Mordini et al.	2006/0243740 A1	11/2006	Reynolds et al.
6,824,369 B2	11/2004	Raymond	2007/0000941 A1	1/2007	Hadden et al.
D499,295 S *	12/2004	Grisdale D6/545	2007/0138208 A1	6/2007	Scholz et al.
6,832,542 B2	12/2004	Hu et al.	2007/0158359 A1	7/2007	Rodrian
6,892,899 B2	5/2005	Minard et al.	2007/0274853 A1	11/2007	Merendeiro et al.
6,929,150 B2	8/2005	Muderlak et al.	2008/0277411 A1 *	11/2008	Beland B65D 83/205 222/52
7,008,073 B2	3/2006	Stuhlmacher	2008/0277421 A1	11/2008	Zlatic et al.
D530,954 S	10/2006	Snell	2009/0026225 A1	1/2009	Lickstein
D531,440 S	11/2006	Lo	2009/0088836 A1	4/2009	Bishop et al.
D531,845 S	11/2006	Christianson	2009/0140004 A1	6/2009	Scorgie
D534,753 S	1/2007	Christianson	2009/0184134 A1	7/2009	Ciavarella et al.
7,178,746 B2	2/2007	Gross	2010/0031982 A1	2/2010	Hornsby et al.
D554,412 S	11/2007	Yang et al.	2010/0282772 A1	11/2010	Ionidis
			2011/0017769 A1	1/2011	Ophardt

(56)

References Cited

U.S. PATENT DOCUMENTS

2011/0114669 A1 5/2011 Yang et al.
 2013/0200097 A1 8/2013 Yang et al.
 2013/0200109 A1 8/2013 Yang et al.
 2014/0103072 A1 4/2014 Pelfrey
 2015/0238053 A1 8/2015 Yang et al.

FOREIGN PATENT DOCUMENTS

CA 144016 4/2012
 CA 147357 4/2013
 CA 152683 5/2014
 CA 2677130 C 8/2015
 CA 164020 4/2016
 CA 164266 5/2016
 CN 302362836 S 3/2013
 CN 303102706 S 2/2015
 CN 303662896 S 5/2016
 EP 455431 11/1991
 EP 2135538 A1 12/2009
 EP 2322068 A2 5/2011
 EP 001342687-0001 9/2012
 EP 2546523 A2 1/2013
 EP 001438402-0001 11/2015
 EP 002764860-0001 11/2015
 JP H07-23876 1/1995
 JP D1117308 6/2001

JP D1266683 2/2006
 JP D1553147 6/2016
 KR 3002845520000 11/2001
 WO WO 2008/095187 8/2008
 WO WO 2008/103300 A2 8/2008
 WO WO 2012/122056 9/2012
 WO WO 2012/154642 A1 11/2012
 WO WO 2013/119642 A1 8/2013
 WO WO 2013/119874 A1 8/2013

OTHER PUBLICATIONS

U.S. Appl. No. 29/357,878, filed Mar. 12, 2010, Yang et al.
 U.S. Appl. No. 29/386,854, filed Mar. 4, 2011, Yang et al.
 U.S. Appl. No. 29/415,437, filed Mar. 9, 2012, Yang et al.
 U.S. Appl. No. 29/447,095, filed Feb. 28, 2013, Yang et al.
 U.S. Appl. No. 29/518,584, filed Feb. 25, 2015, Yang et al.
 Manring et al., "The Theoretical Flow Ripple of an External Gear Pump," Transactions of the ASME, vol. 125, Sep. 2003, pp. 396-404.
 The Sharper Image Soap Genie SI335, in 8 pages.
 U.S. Appl. No. 29/552,697, filed Jan. 25, 2016, Yang et al.
 U.S. Appl. No. 15/060,241, filed Mar. 3, 2016, Yang et al.
 U.S. Appl. No. 14/661,372, filed Mar. 18, 2015, Yang et al.
 Office Action in corresponding European Community Design Patent Application No. 002764860-0001, dated Sep. 7, 2015, in 4 pages.

* cited by examiner

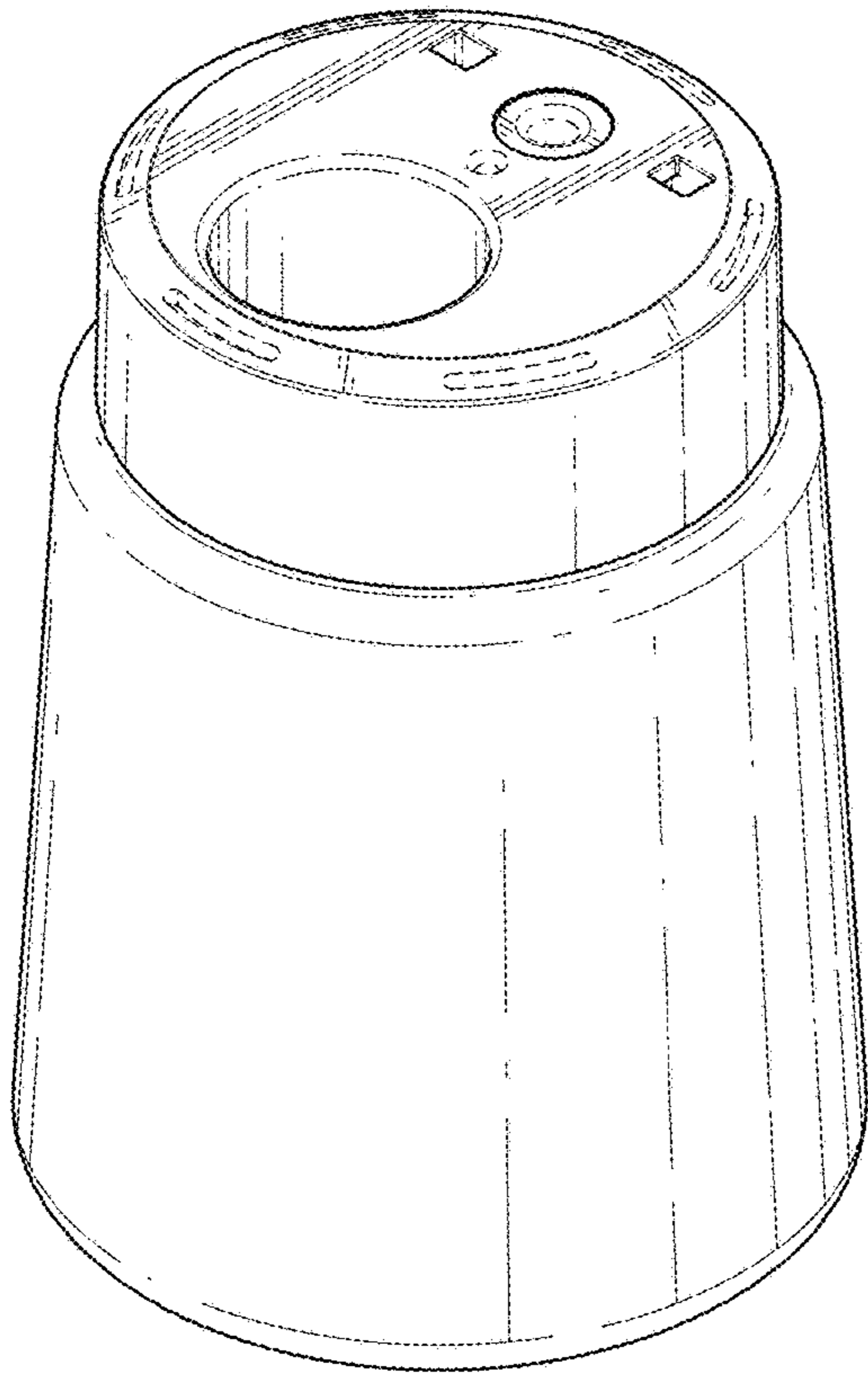


FIG. 1

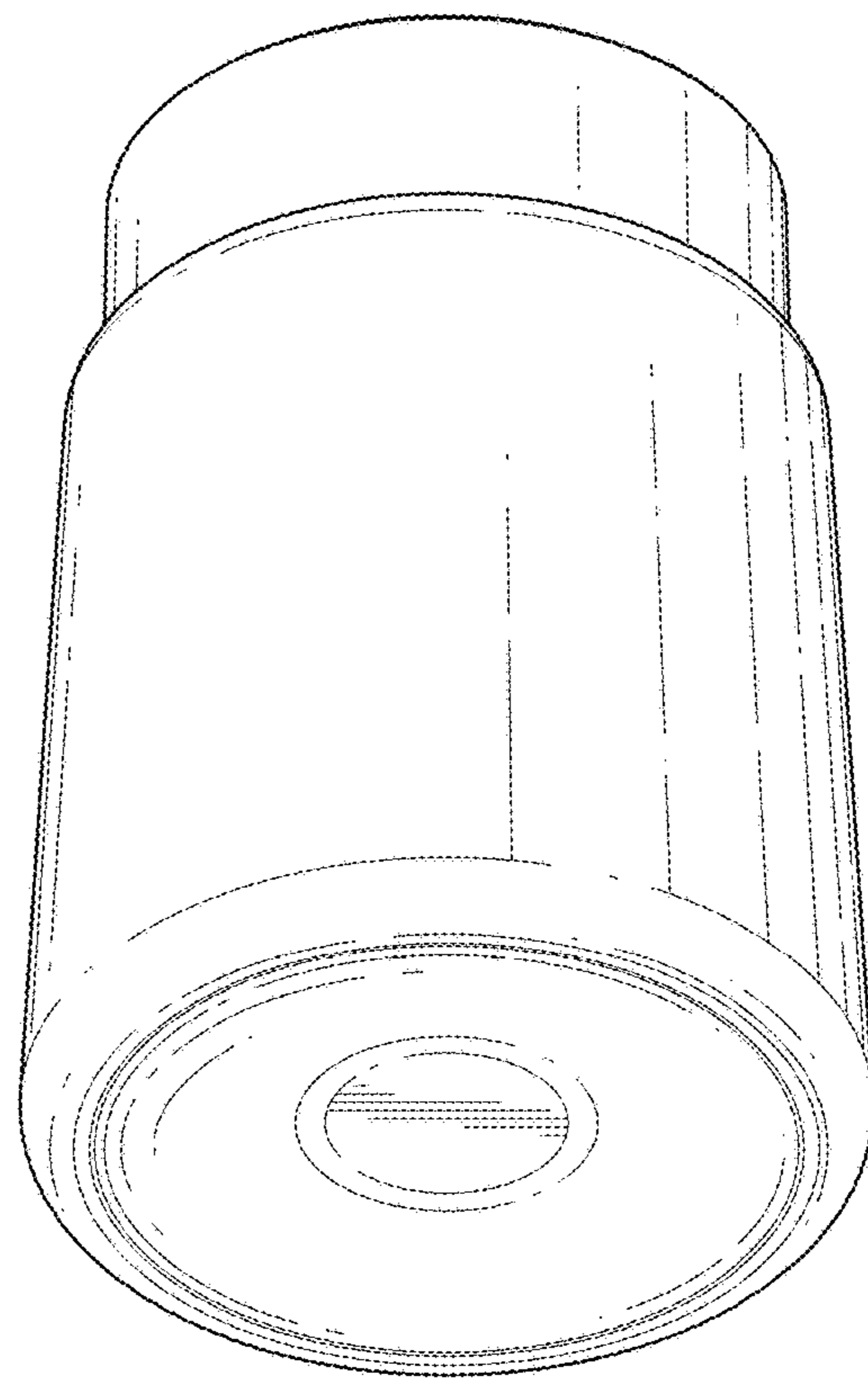


FIG. 2

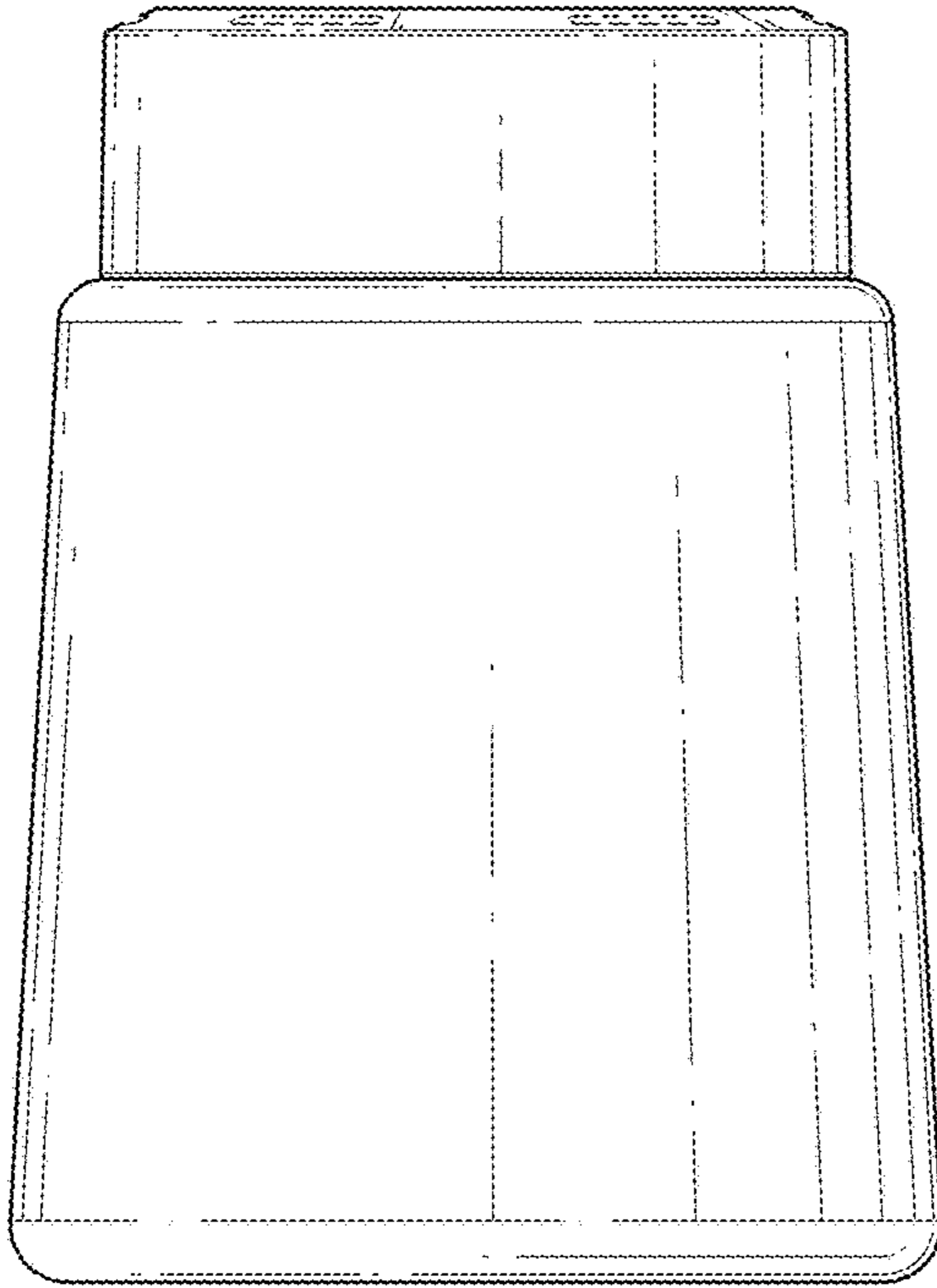


FIG. 3

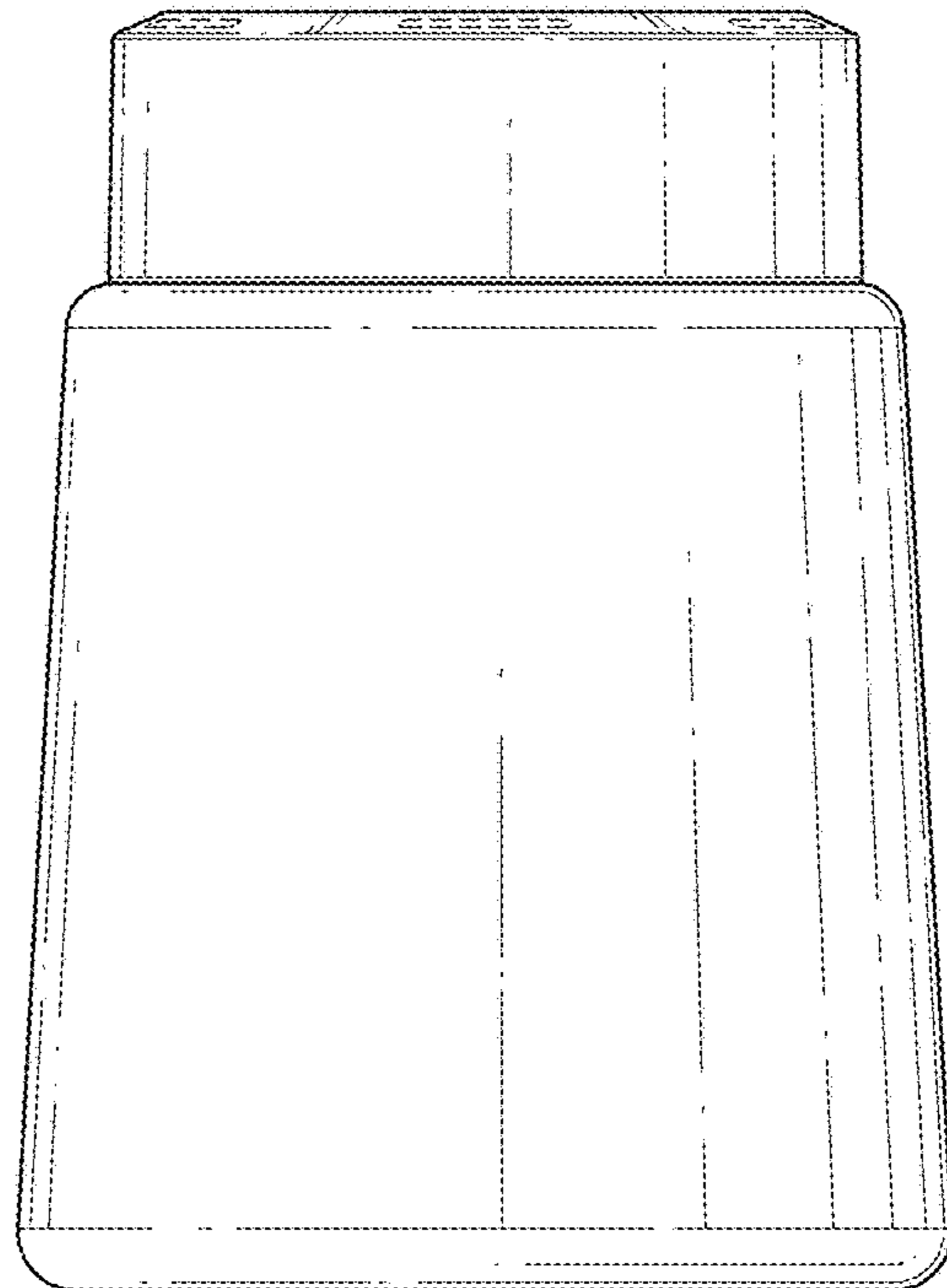


FIG. 4

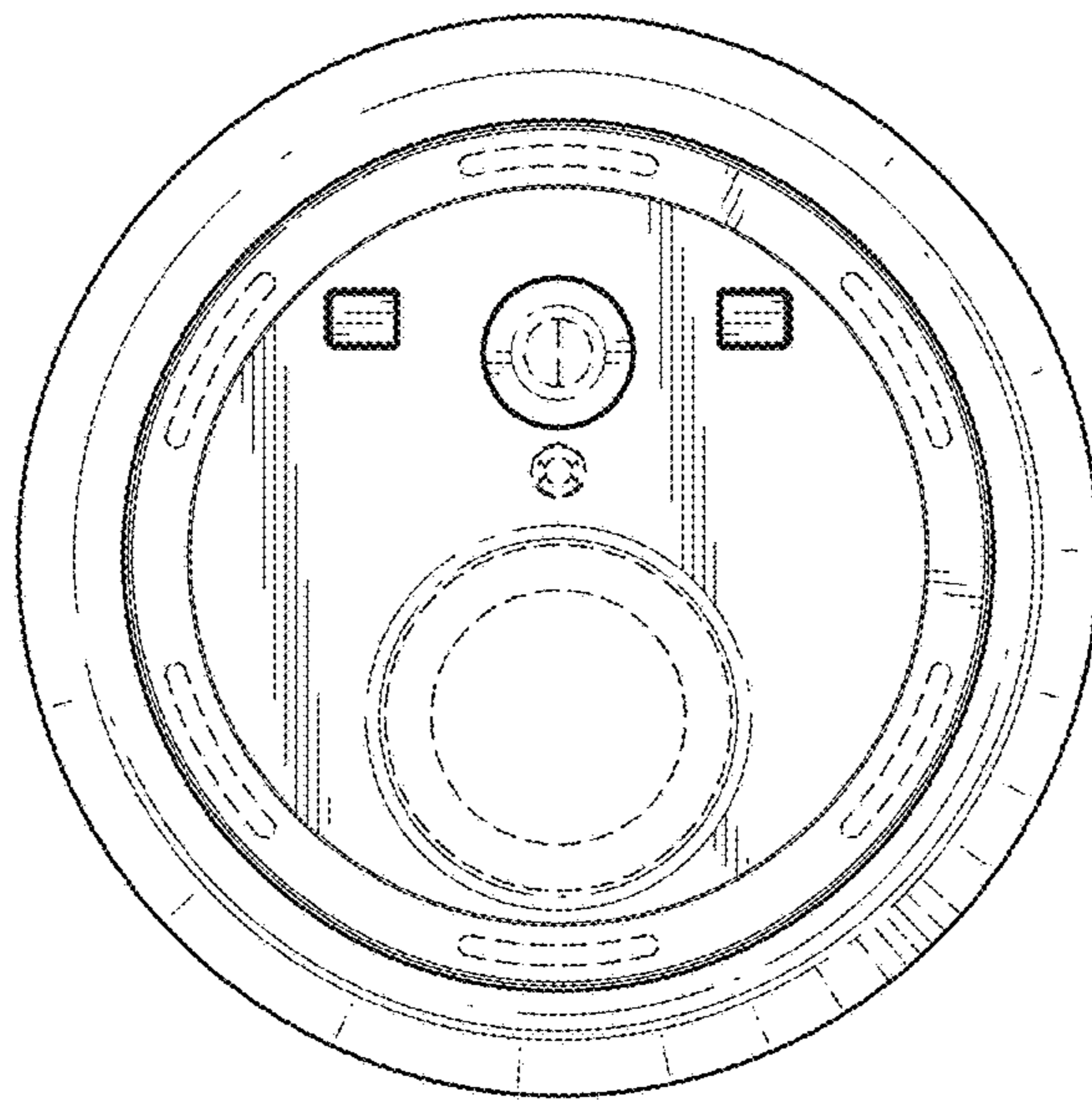


FIG. 5

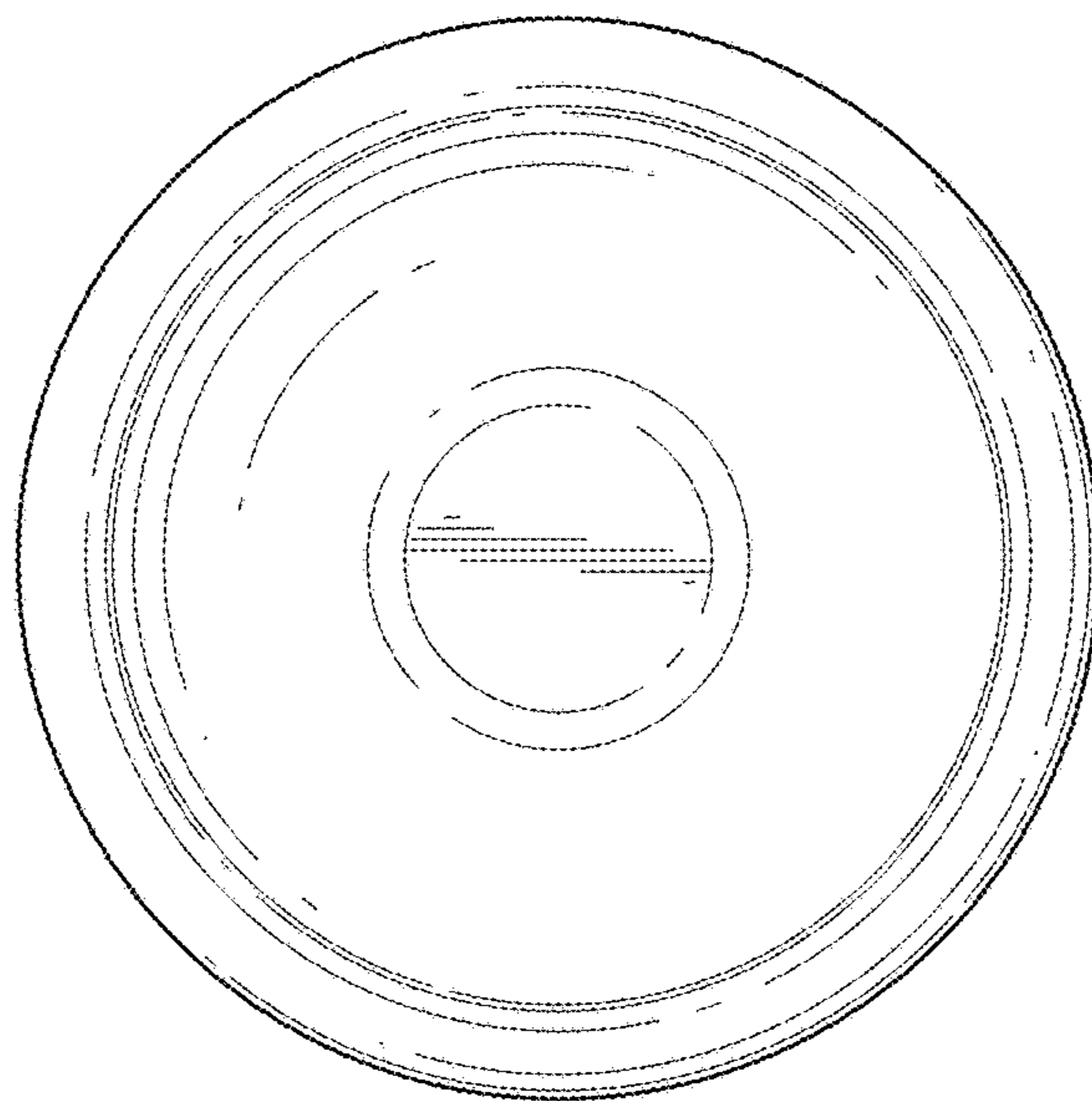


FIG. 6