



US00D773847S

(12) **United States Design Patent** (10) **Patent No.:** **US D773,847 S**
Lord (45) **Date of Patent:** **** Dec. 13, 2016**

- (54) **SOAP DISPENSER**
- (71) Applicant: **Delta Faucet Company**, Indianapolis, IN (US)
- (72) Inventor: **Judd Lord**, McCordsville, IN (US)
- (73) Assignee: **DELTA FAUCET COMPANY**, Indianapolis, IN (US)
- (**) Term: **14 Years**
- (21) Appl. No.: **29/513,837**
- (22) Filed: **Jan. 6, 2015**
- (51) **LOC (10) Cl.** **23-02**
- (52) **U.S. Cl.**
USPC **D6/542**
- (58) **Field of Classification Search**
USPC D6/512, 524, 542, 543, 544, 545;
D9/448, 690, 691, 682, 688
CPC A47G 19/24; B67D 3/0029; B65D 23/003;
B65D 83/40; B65D 50/045; B05B
11/3001; F16N 3/10
See application file for complete search history.

(56) **References Cited**

U.S. PATENT DOCUMENTS

D286,374 S	*	10/1986	Bussell	D9/448
D306,702 S	*	3/1990	Turner	D9/448
D351,794 S	*	10/1994	Foster	D9/448
D392,887 S	*	3/1998	Wadsworth	D9/448
D393,593 S	*	4/1998	Mascitelli	D9/448
D418,418 S	*	1/2000	Wadsworth	D9/448
D419,446 S	*	1/2000	Durliat	D9/448
D435,447 S	*	12/2000	Lee	D9/448
D445,686 S	*	7/2001	Danielo	D9/448
D466,017 S	*	11/2002	Kuo	D9/448
D466,812 S	*	12/2002	Yang	D9/448
D477,778 S	*	7/2003	Dretzka	D6/542

D480,642 S	*	10/2003	Dretzka	D6/542
D480,643 S	*	10/2003	Dretzka	D6/542
D488,378 S	*	4/2004	Costa	D9/448
D488,716 S	*	4/2004	Dretzka	D6/542
D499,966 S	*	12/2004	Arminak	D9/448
D505,326 S	*	5/2005	Costa	D9/448
D519,372 S	*	4/2006	Hsieh	D6/542
D534,425 S	*	1/2007	Kuo	D6/542
D536,971 S	*	2/2007	Arminak	D9/448
D537,360 S	*	2/2007	Snell	D6/542
D550,011 S	*	9/2007	Kennard	D6/542
D560,942 S	*	2/2008	Hanna	D6/542
D563,703 S	*	3/2008	Duncan	D6/542
D567,652 S	*	4/2008	Binderbauer	D9/448
D571,657 S	*	6/2008	Kuo	D9/448
D574,707 S	*	8/2008	Pietrowski	D9/448
D596,042 S	*	7/2009	Chen	D9/690
D598,750 S	*	8/2009	Boes	D9/448
D661,530 S	*	6/2012	Pendleton	D6/542
D672,177 S	*	12/2012	Zeng	D6/542

(Continued)

Primary Examiner — John Windmuller

Assistant Examiner — Steven Czyz

(74) *Attorney, Agent, or Firm* — Edgar A. Zarins; Nirav D. Parikh

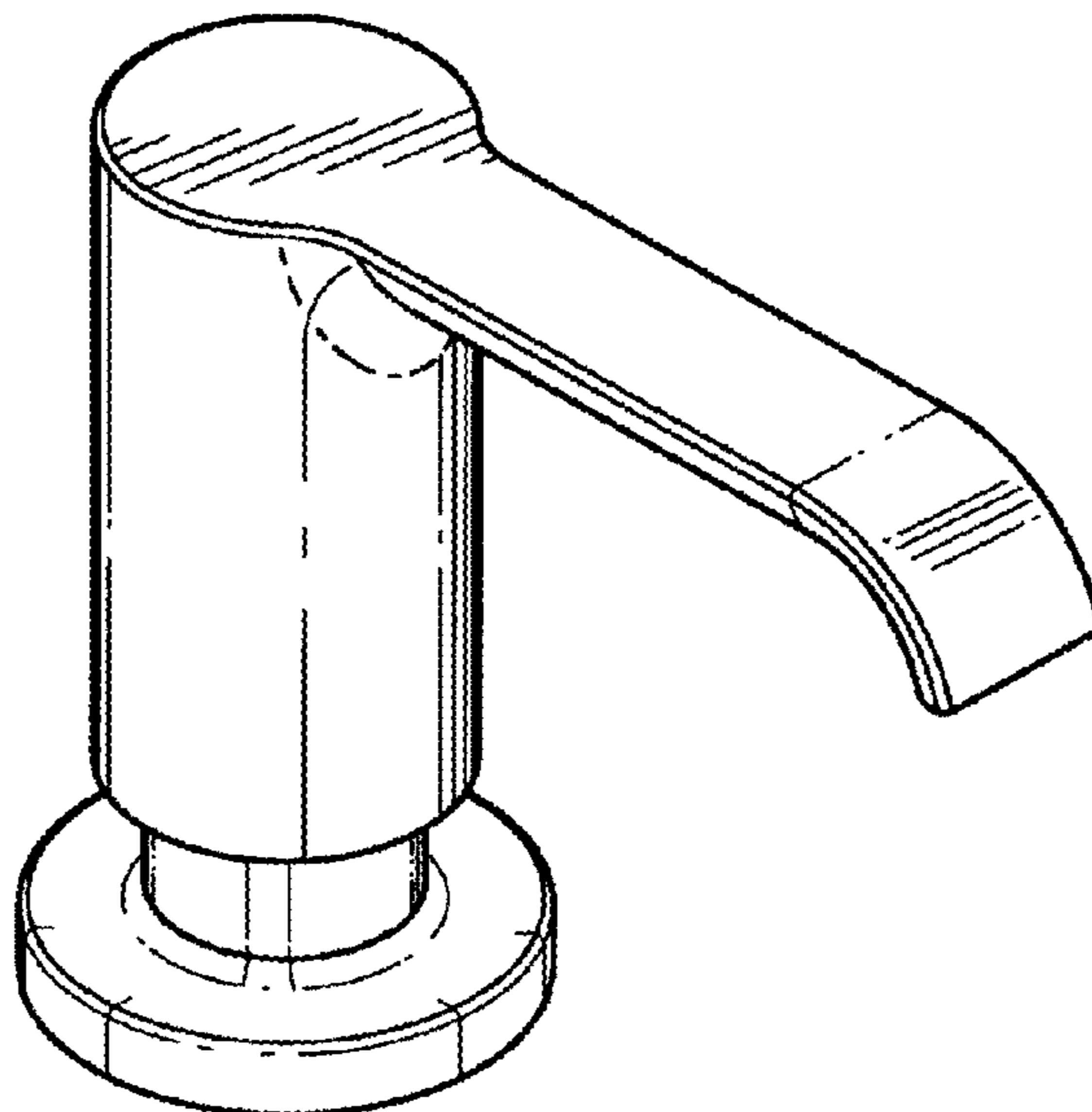
(57) **CLAIM**

The ornamental design for a soap dispenser, as shown and described.

DESCRIPTION

FIG. 1 is a perspective view of a soap dispenser showing my new design;
FIG. 2 is a front elevational view thereof;
FIG. 3 is a rear view thereof;
FIG. 4 is a top plan view thereof;
FIG. 5 is a right side view thereof, the opposite side being a mirror image of the side shown; and,
FIG. 6 is a bottom view thereof.

1 Claim, 2 Drawing Sheets



(56)

References Cited

U.S. PATENT DOCUMENTS

D718,132 S * 11/2014 Leventhal D9/448
D718,954 S * 12/2014 Konishi D6/542
D748,491 S * 2/2016 Jin D9/682
2007/0000941 A1* 1/2007 Hadden A47K 5/1217
222/52
2009/0114682 A1* 5/2009 Gittleman A47K 5/1202
222/173
2013/0233889 A1* 9/2013 Stidham B65D 25/205
222/183
2016/0089684 A1* 3/2016 Duncan B05B 11/3052
222/180

* cited by examiner

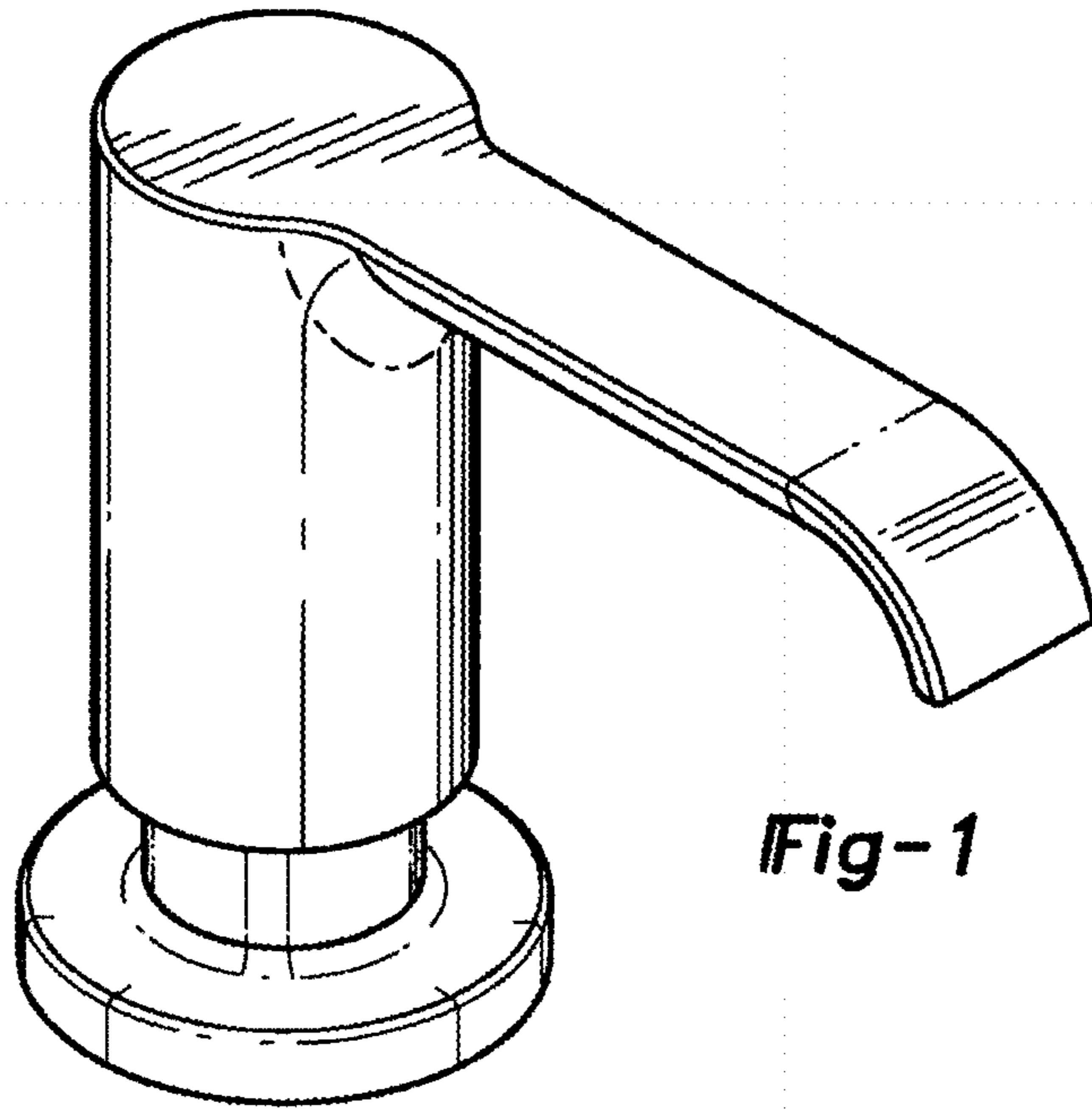


Fig-1

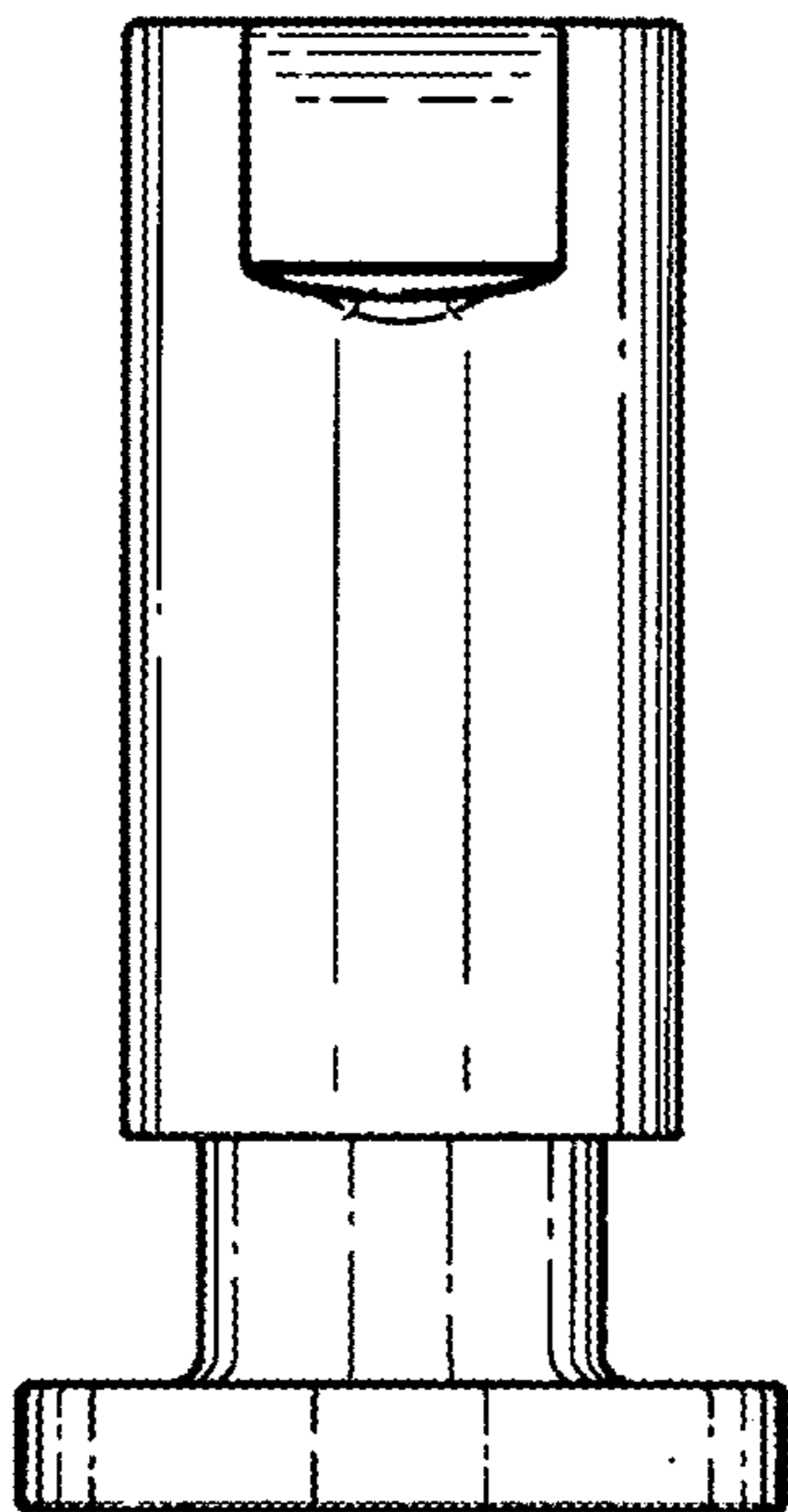


Fig-2

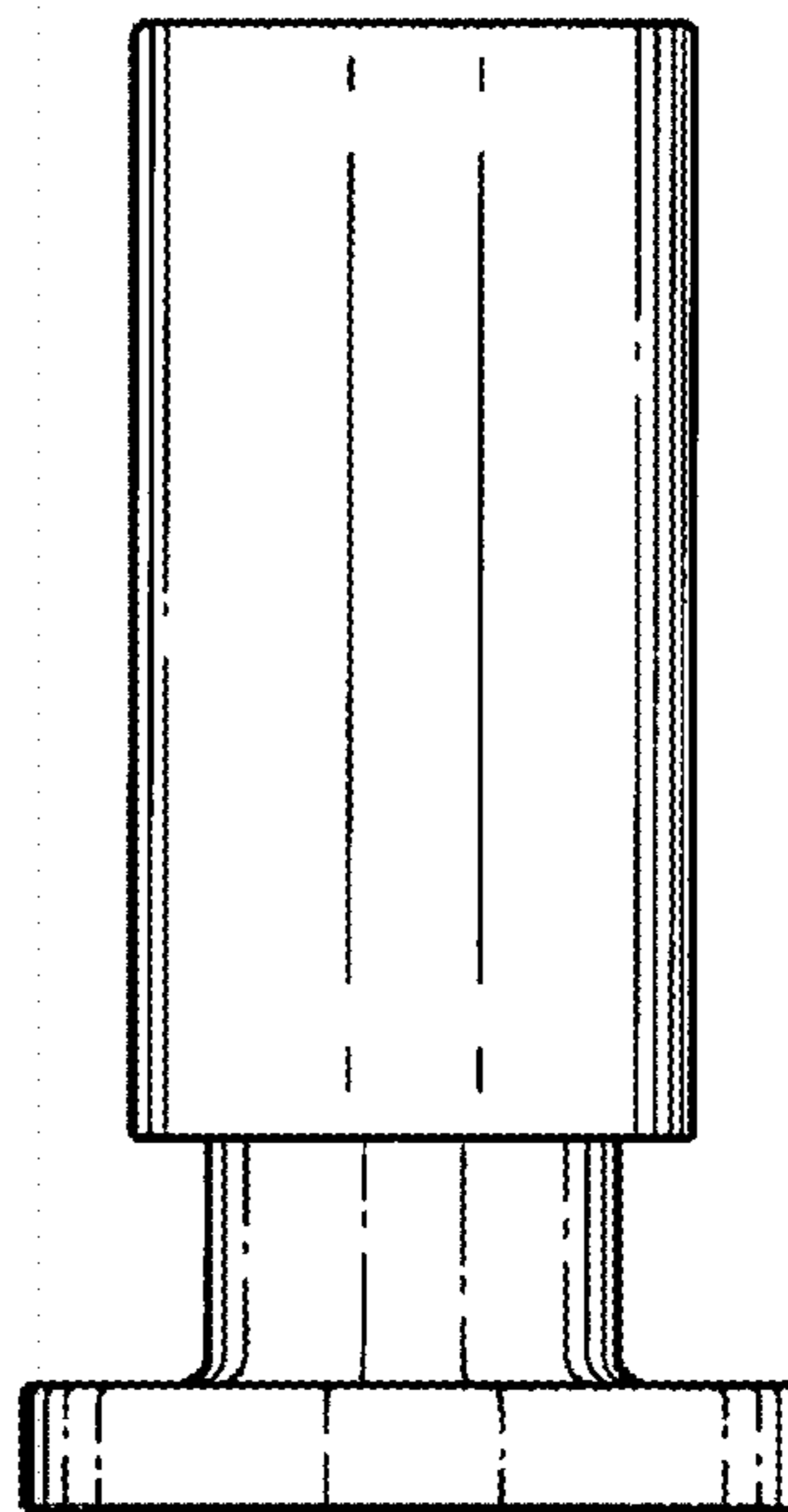


Fig-3

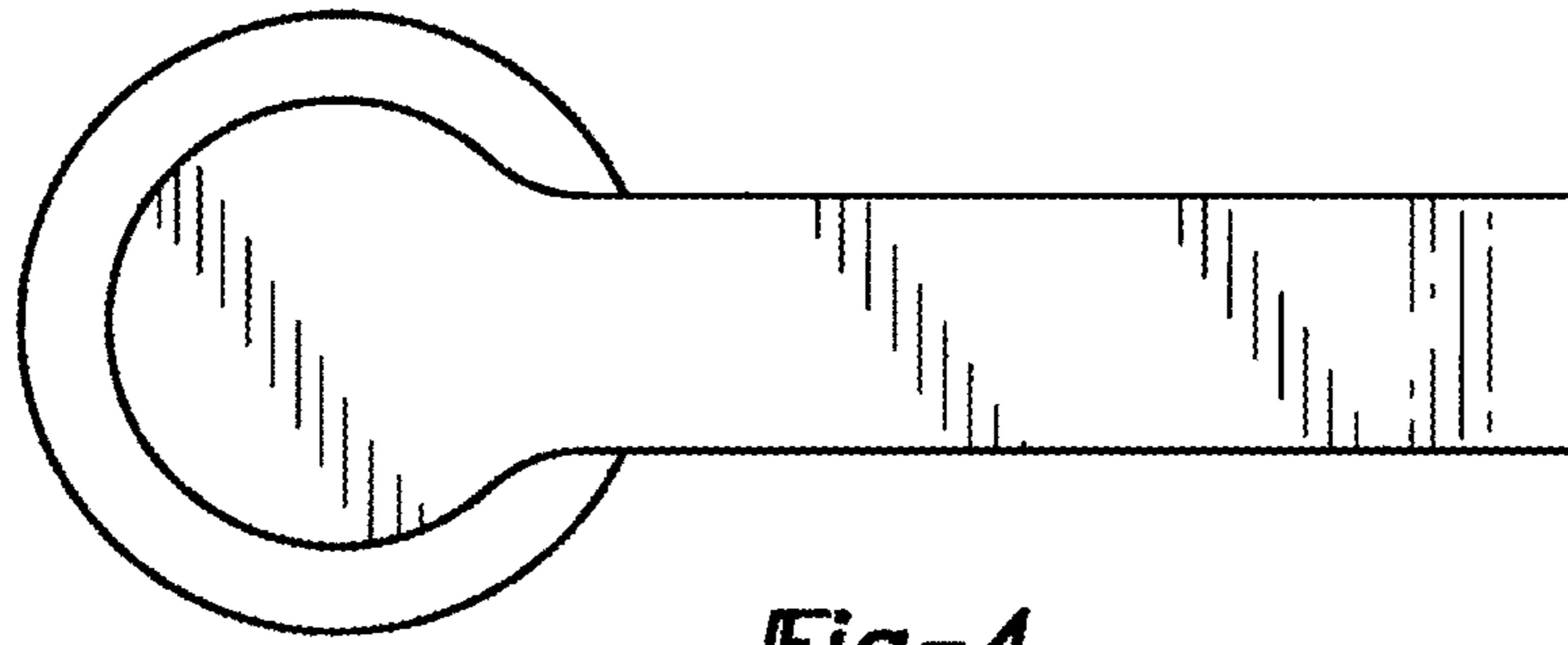


Fig-4

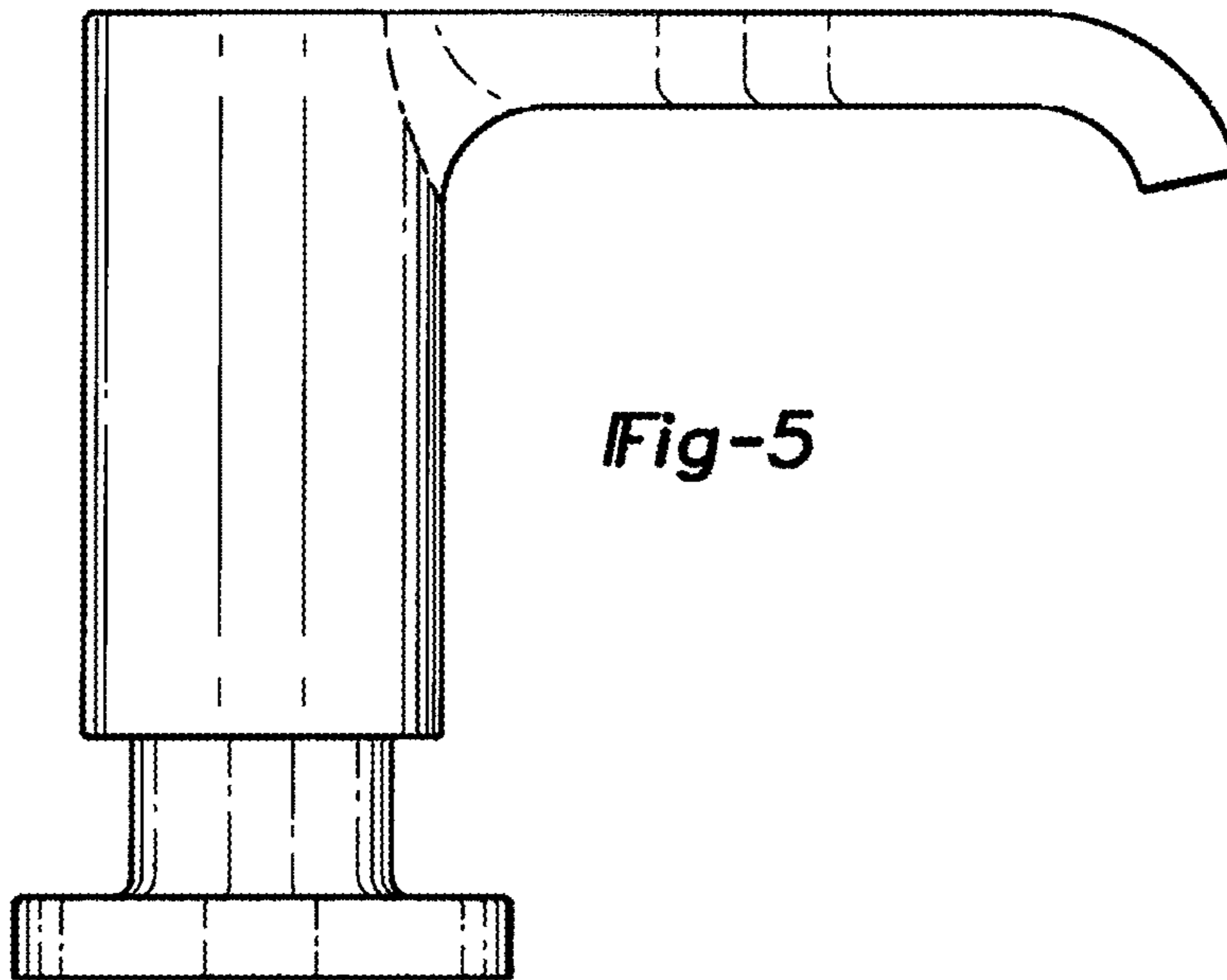


Fig-5

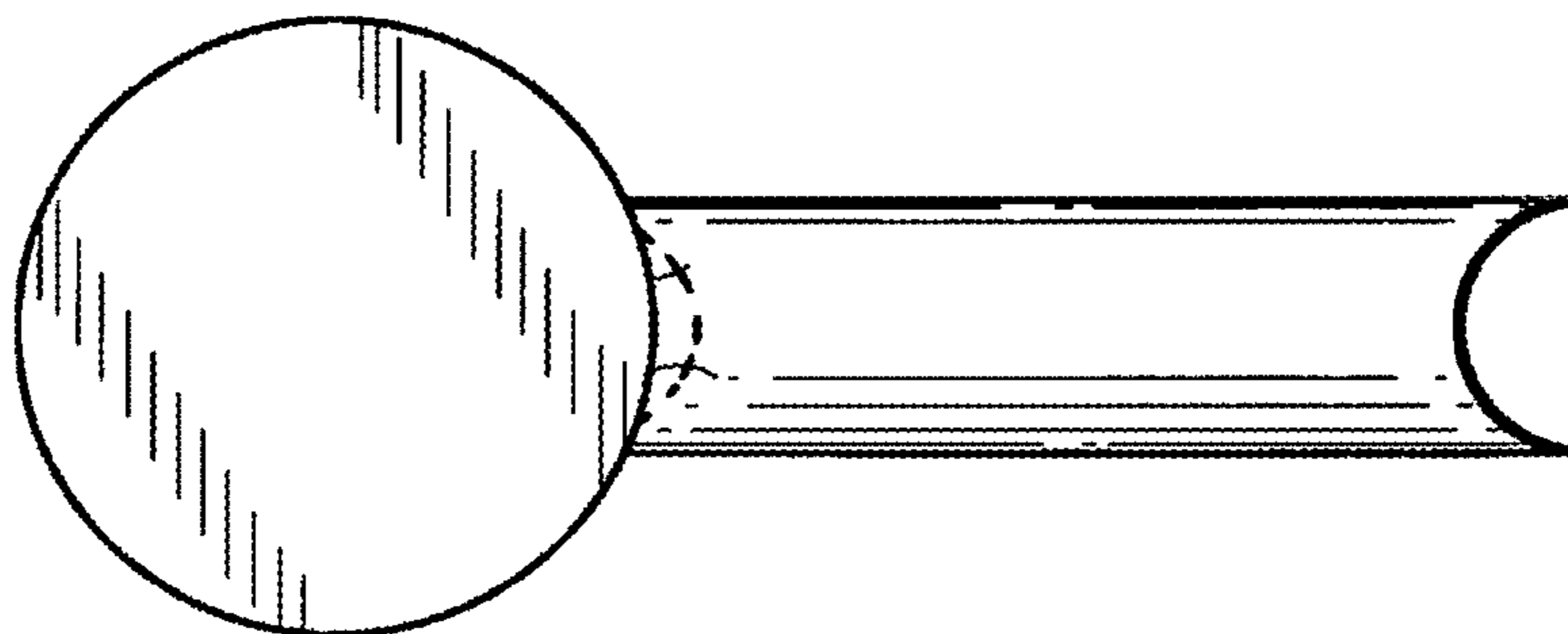


Fig-6