



US00D773846S

(12) **United States Design Patent** (10) **Patent No.:** **US D773,846 S**  
**Chang et al.** (45) **Date of Patent:** **\*\* Dec. 13, 2016**

(54) **HOLDER** 6,152,294 A \* 11/2000 Weinberg ..... A47K 5/03  
206/77.1  
(71) Applicant: **3M INNOVATIVE PROPERTIES** D449,752 S \* 10/2001 Snell ..... D6/537  
**COMPANY, St. Paul, MN (US)** 6,341,704 B1 \* 1/2002 Michel, Jr. .... A47J 47/20  
211/119  
(72) Inventors: **Pei-Chun Chang**, Taoyuan (TW); D453,651 S \* 2/2002 Snell ..... D6/537  
**Hui-Lin Wang**, Taipei (TW); **Hsi Che** D478,443 S \* 8/2003 Clucas ..... D6/537  
**Cheng**, Taipei (TW) D504,701 S \* 5/2005 Chen ..... D19/75  
7,182,210 B2 \* 2/2007 Metcalf ..... A47B 96/025  
211/119  
(73) Assignee: **3M INNOVATIVE PROPERTIES** 7,267,308 B1 \* 9/2007 Jenson ..... A47J 47/16  
**COMPANY, St. Paul, MN (US)** 211/181.1  
D612,648 S \* 3/2010 Guindi ..... D6/525  
D643,695 S \* 8/2011 Goodman ..... D7/550.1  
D646,099 S \* 10/2011 Mu ..... D6/537  
(\*\*) Term: **14 Years**  
(Continued)

(21) Appl. No.: **29/506,481**

(22) Filed: **Oct. 16, 2014**

(51) **LOC (10) Cl.** ..... **23-02**

(52) **U.S. Cl.**  
USPC ..... **D6/540; D6/537**

(58) **Field of Classification Search**  
USPC ..... D6/540, 536-537, 524, 525, 567,  
320,D6/566; 211/13.1, 74, 71.01, 86.01,  
75, 88.01, 211/90.01, 90.03, 106, 119,  
126.1, 133.5, 181.1, 211/134, 87.01;  
D3/306; D32/55-56; D7/637;  
248/206.2-206.3  
CPC ..... B23P 17/04; A47K 1/09; A47K 1/08;  
A47K 3/281; F16B 47/00  
See application file for complete search history.

(56) **References Cited**

**U.S. PATENT DOCUMENTS**

D68,538 S \* 10/1925 Moineau ..... D6/537  
D167,234 S \* 7/1952 Simpson ..... D6/537  
D242,510 S \* 11/1976 Enckler ..... D6/566  
4,821,885 A \* 4/1989 Ondrasik ..... B65D 21/048  
206/505  
D312,185 S \* 11/1990 Prater, Sr. .... D6/567  
D327,596 S \* 7/1992 Emery ..... D6/540  
D369,263 S \* 4/1996 Gregg ..... D6/540

**FOREIGN PATENT DOCUMENTS**

CN 301242404 6/2010  
CN 302723713 1/2014

(Continued)

*Primary Examiner* — David Muller  
*Assistant Examiner* — Nathan Johnston  
(74) *Attorney, Agent, or Firm* — Irina Hass

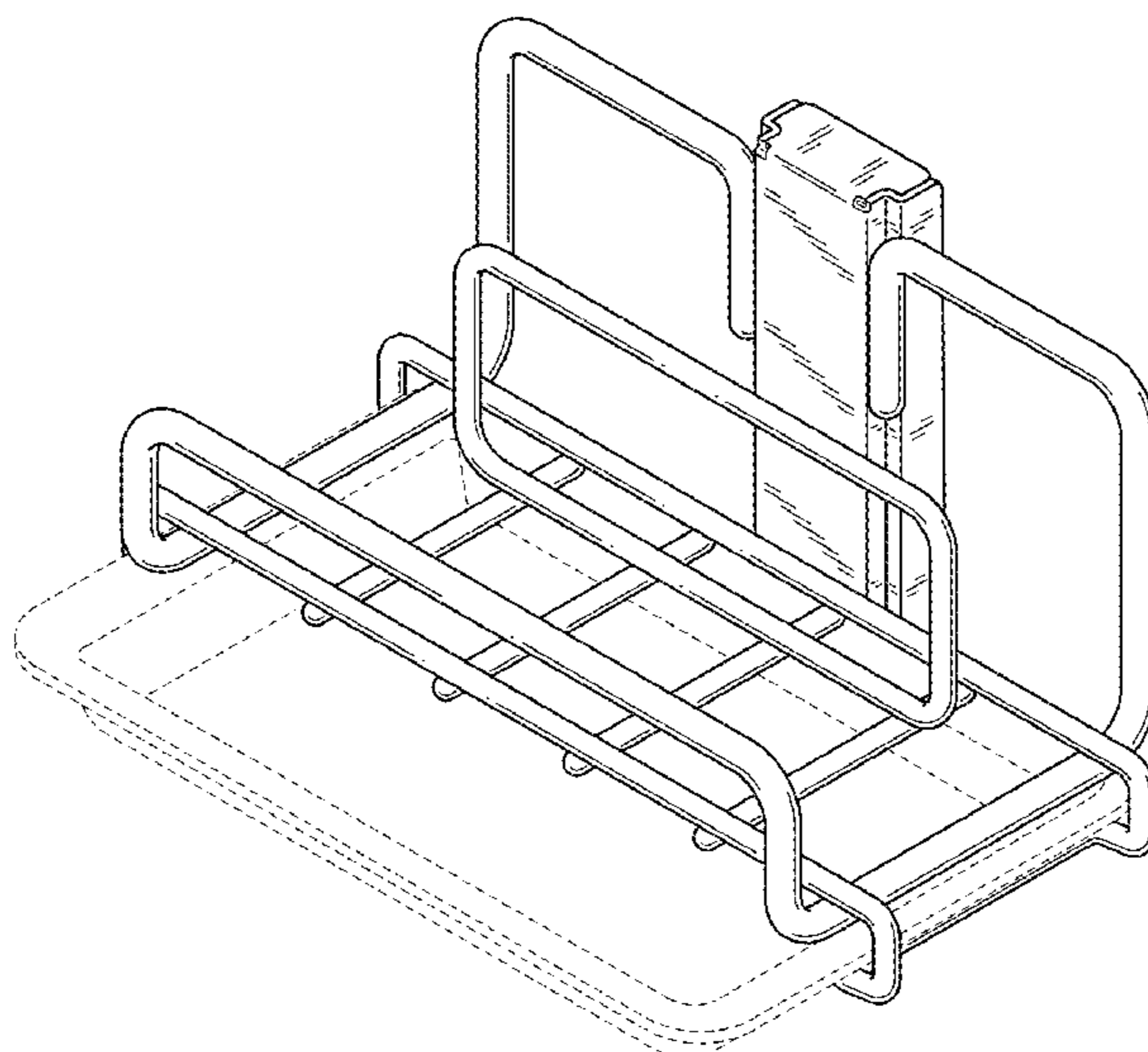
(57) **CLAIM**

The ornamental design for a holder, as shown and described.

**DESCRIPTION**

FIG. 1 is a perspective view showing our new design for a holder;  
FIG. 2 is a front elevation view thereof;  
FIG. 3 is a rear elevation view thereof;  
FIG. 4 is a top plan view thereof;  
FIG. 5 is a bottom plan view thereof; and,  
FIG. 6 is a right side elevation view thereof; the left elevation view being a mirror image.  
The portions of the holder in FIGS. 1-6 shown in broken lines are included to show features that form no part of the claimed design.

**1 Claim, 3 Drawing Sheets**



(56)

**References Cited**

U.S. PATENT DOCUMENTS

8,128,042 B1 \* 3/2012 Chen ..... F16B 47/006  
211/106  
D675,049 S \* 1/2013 Goodman ..... D6/513  
D675,466 S \* 2/2013 Goodman ..... D6/566  
D676,370 S \* 2/2013 Pawsat ..... D12/223  
D691,774 S \* 10/2013 Goodman ..... D32/55  
D692,633 S \* 10/2013 Goodman ..... D32/55  
D718,510 S \* 11/2014 Goodman ..... D32/55  
2009/0008516 A1 \* 1/2009 Davis ..... E04F 15/0247  
248/74.1

FOREIGN PATENT DOCUMENTS

CN 302828438 5/2014  
TW 343844 8/1986  
TW M330071 11/1996  
TW M280774 11/2005  
TW M372172 1/2010  
TW M390760 10/2010  
TW D154159 6/2013

\* cited by examiner

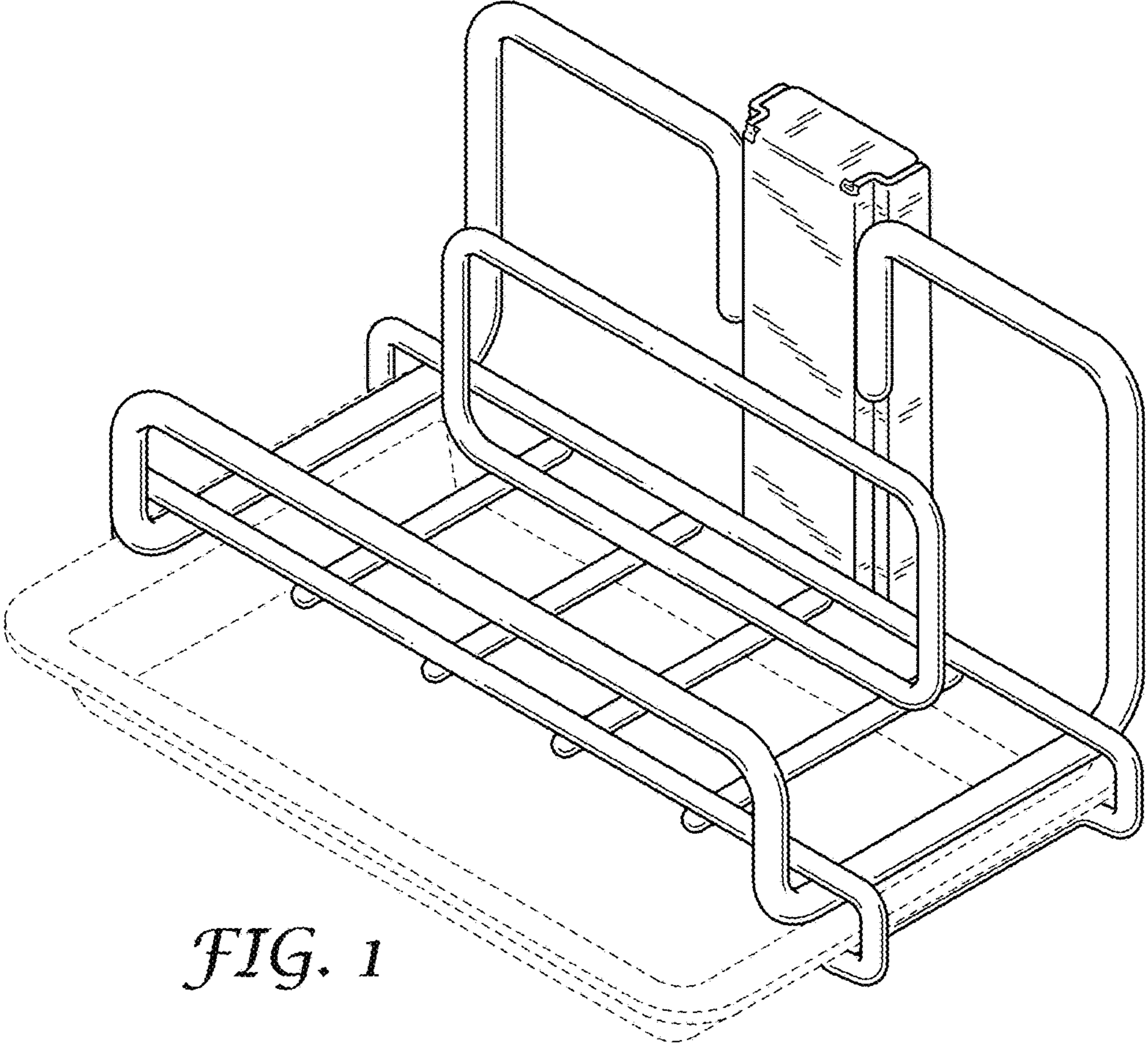


FIG. 1

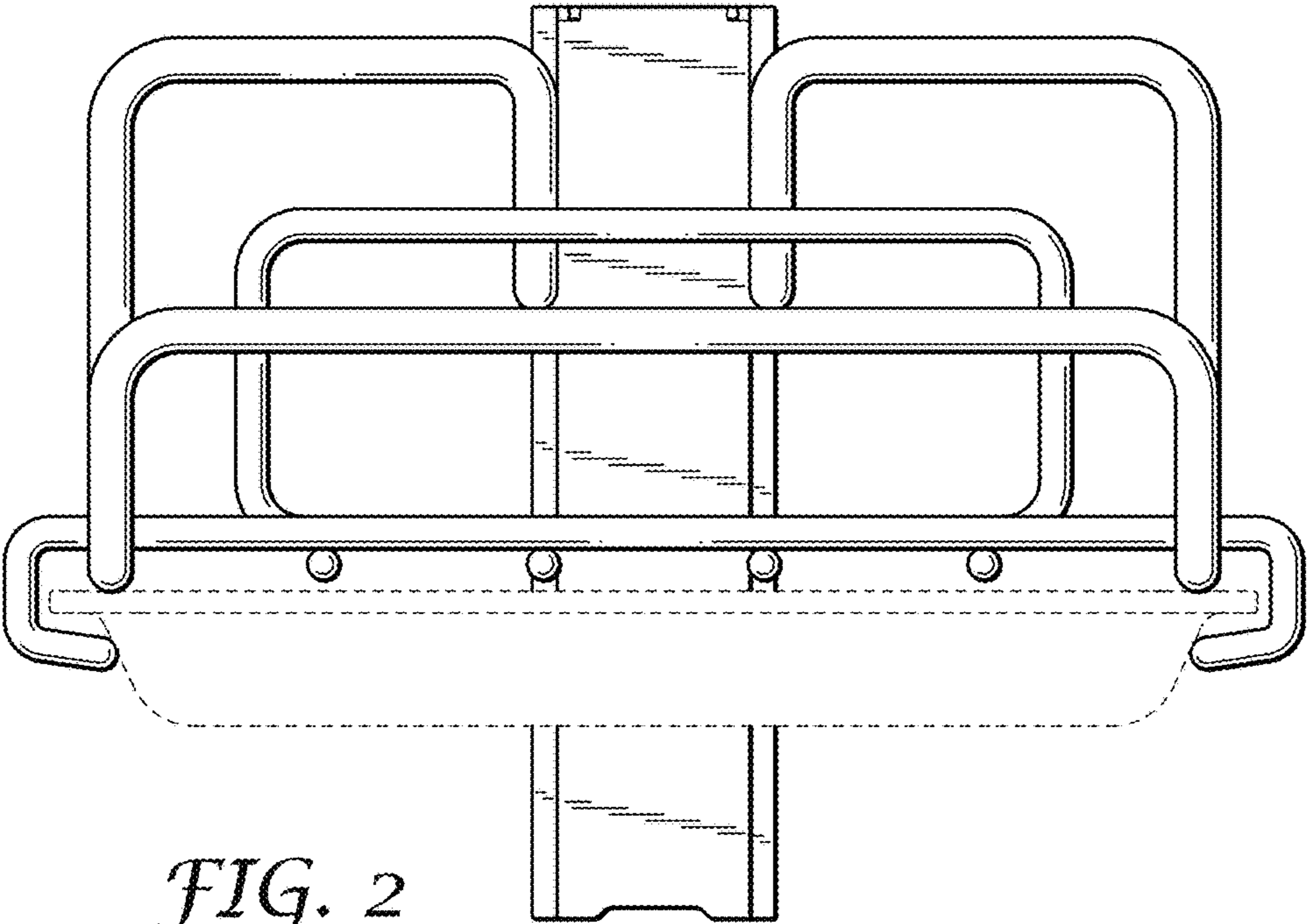
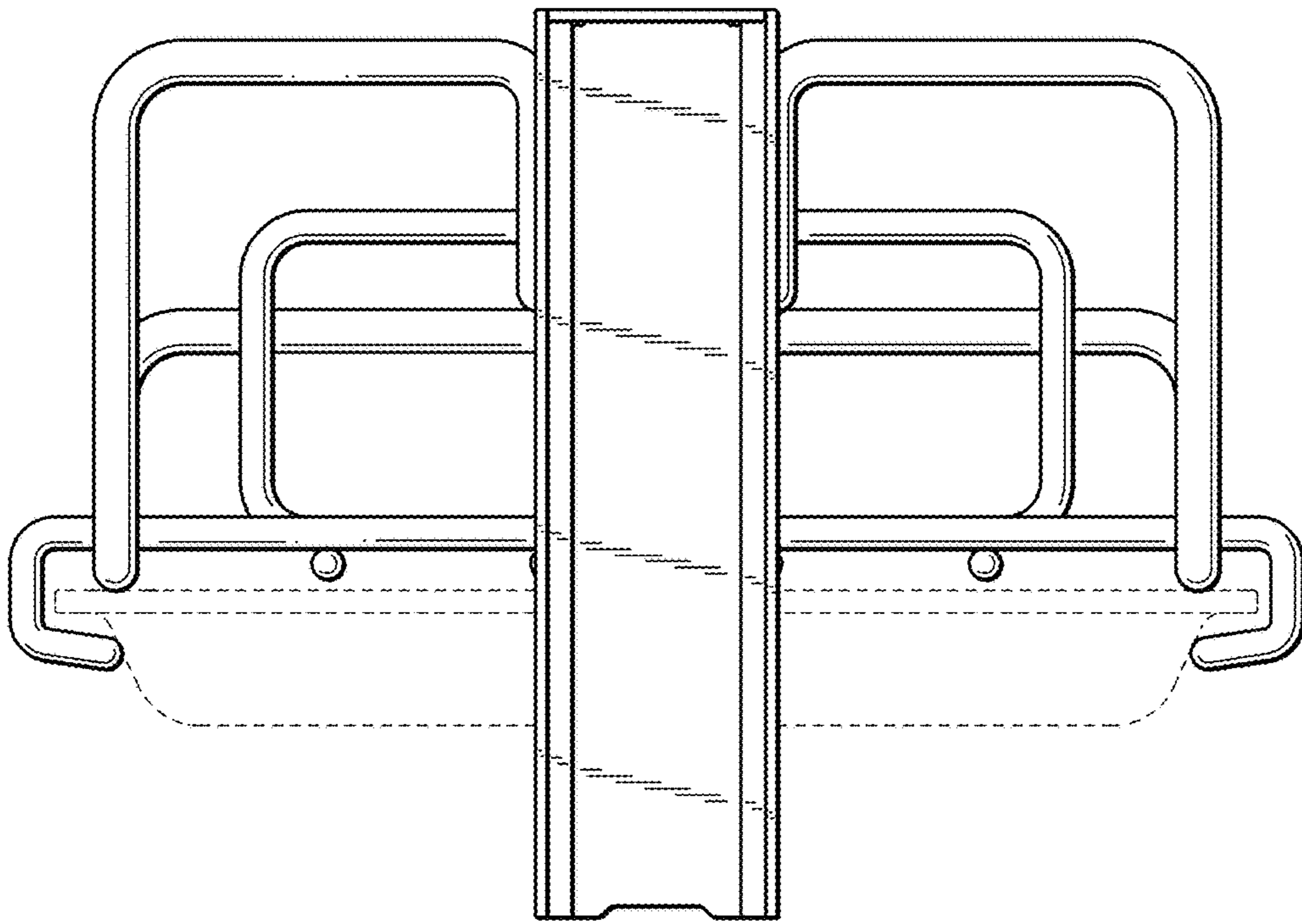
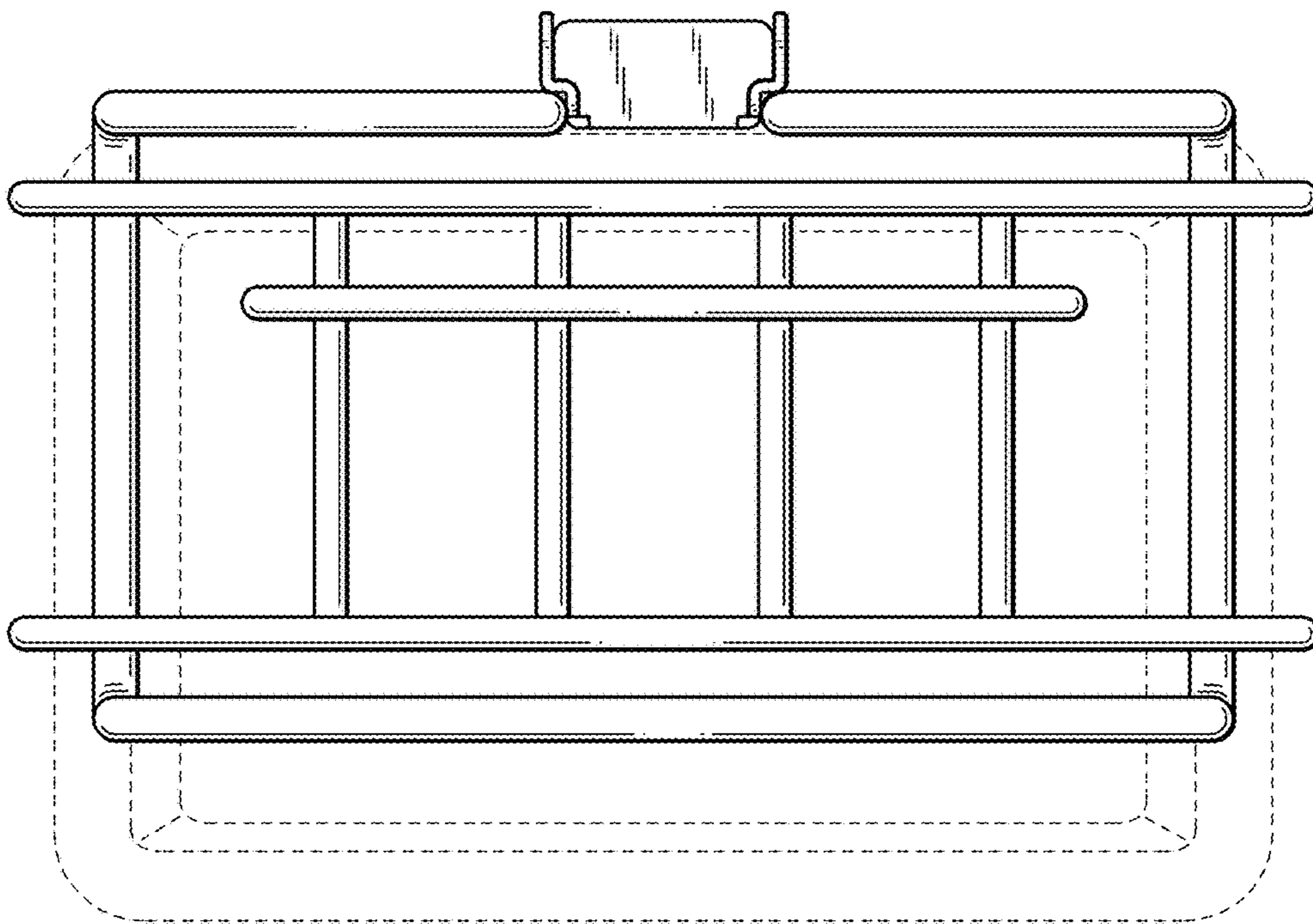


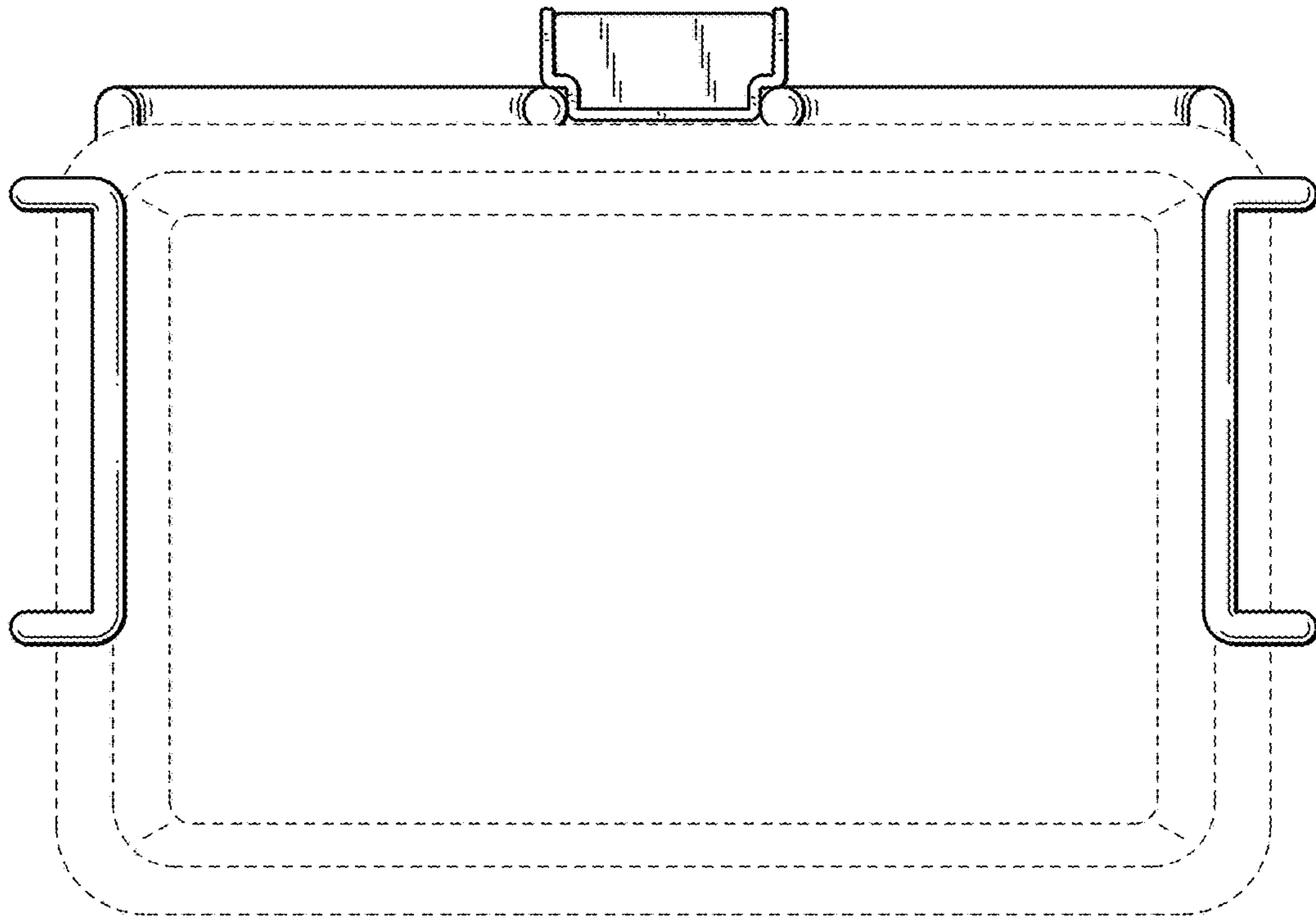
FIG. 2



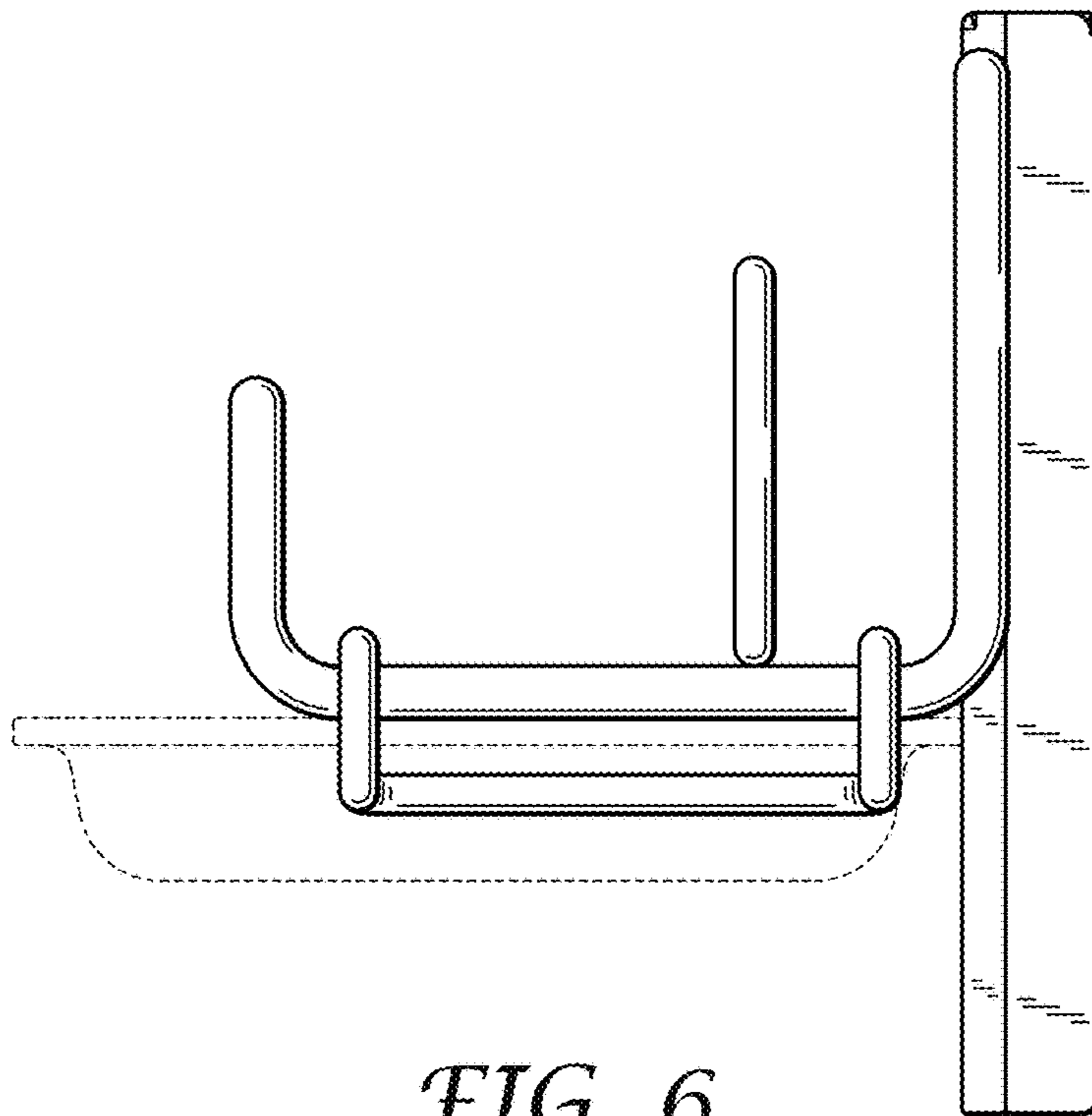
*FIG. 3*



*FIG. 4*



*FIG. 5*



*FIG. 6*