



US00D773845S

(12) **United States Design Patent** (10) **Patent No.:** **US D773,845 S**  
**Chang et al.** (45) **Date of Patent:** **\*\* Dec. 13, 2016**

(54) **SOAP HOLDER** 6,152,294 A \* 11/2000 Weinberg ..... A47K 5/03  
206/77.1  
(71) Applicant: **3M INNOVATIVE PROPERTIES** D444,014 S \* 6/2001 Ferrer Beltran ..... D6/537  
**COMPANY, St. Paul, MN (US)** D449,752 S \* 10/2001 Snell ..... D6/537  
6,341,704 B1 \* 1/2002 Michel, Jr. .... A47J 47/20  
211/119  
(72) Inventors: **Pei-Chun Chang, Taoyuan (TW);** D478,443 S \* 8/2003 Clucas ..... D6/537  
**Hui-Lin Wang, Taipei (TW); Hsi Che** D532,636 S \* 11/2006 Thorsteinsson ..... D6/540  
**Cheng, Taipei (TW)** 7,168,212 B2 \* 1/2007 Jette ..... E04F 15/02458  
211/181.1  
(73) Assignee: **3M INNOVATIVE PROPERTIES** (Continued)  
**COMPANY, St. Paul, MN (US)**

(\*\*) Term: **14 Years**

(21) Appl. No.: **29/506,479**

(22) Filed: **Oct. 16, 2014**

(51) **LOC (10) Cl.** ..... **23-02**

(52) **U.S. Cl.**  
USPC ..... **D6/540; D6/537**

(58) **Field of Classification Search**  
USPC ..... D6/540, 536-537, 524, 525, 567, 320,  
D6/566; 211/13.1, 74, 71.01, 86.01, 75,  
211/88.01, 90.01, 90.03, 106, 119, 126.1,  
211/133.5, 181.1, 134, 87.01; D3/306;  
D32/55-56; D7/637; 248/206.2-206.3  
CPC ..... B23P 17/04; A47K 1/09; A47K 1/08;  
A47K 3/281; F16B 47/00  
See application file for complete search history.

(56) **References Cited**

**U.S. PATENT DOCUMENTS**

D68,538 S \* 10/1925 Moineau ..... D6/537  
D167,234 S \* 7/1952 Simpson ..... D6/537  
D193,607 S \* 9/1962 Ebhart ..... D6/536  
4,748,993 A \* 6/1988 Llewellyn ..... A47L 15/505  
134/135  
4,821,885 A \* 4/1989 Ondrasik ..... B65D 21/048  
206/505  
D327,596 S \* 7/1992 Emery ..... D6/540  
5,203,254 A \* 4/1993 Fletcher ..... A47J 37/0694  
211/181.1  
5,339,728 A \* 8/1994 Marchwiak ..... A47J 36/22  
211/181.1  
D380,636 S \* 7/1997 Goodman ..... D6/536

**FOREIGN PATENT DOCUMENTS**

JP 656961 7/1985  
TW M390760 10/2010

**OTHER PUBLICATIONS**

Segno, P7, Jun. 18, 1993, (JPO Reference No. HD05024215).

*Primary Examiner* — David Muller  
*Assistant Examiner* — Nathan Johnston  
(74) *Attorney, Agent, or Firm* — Irina Hass

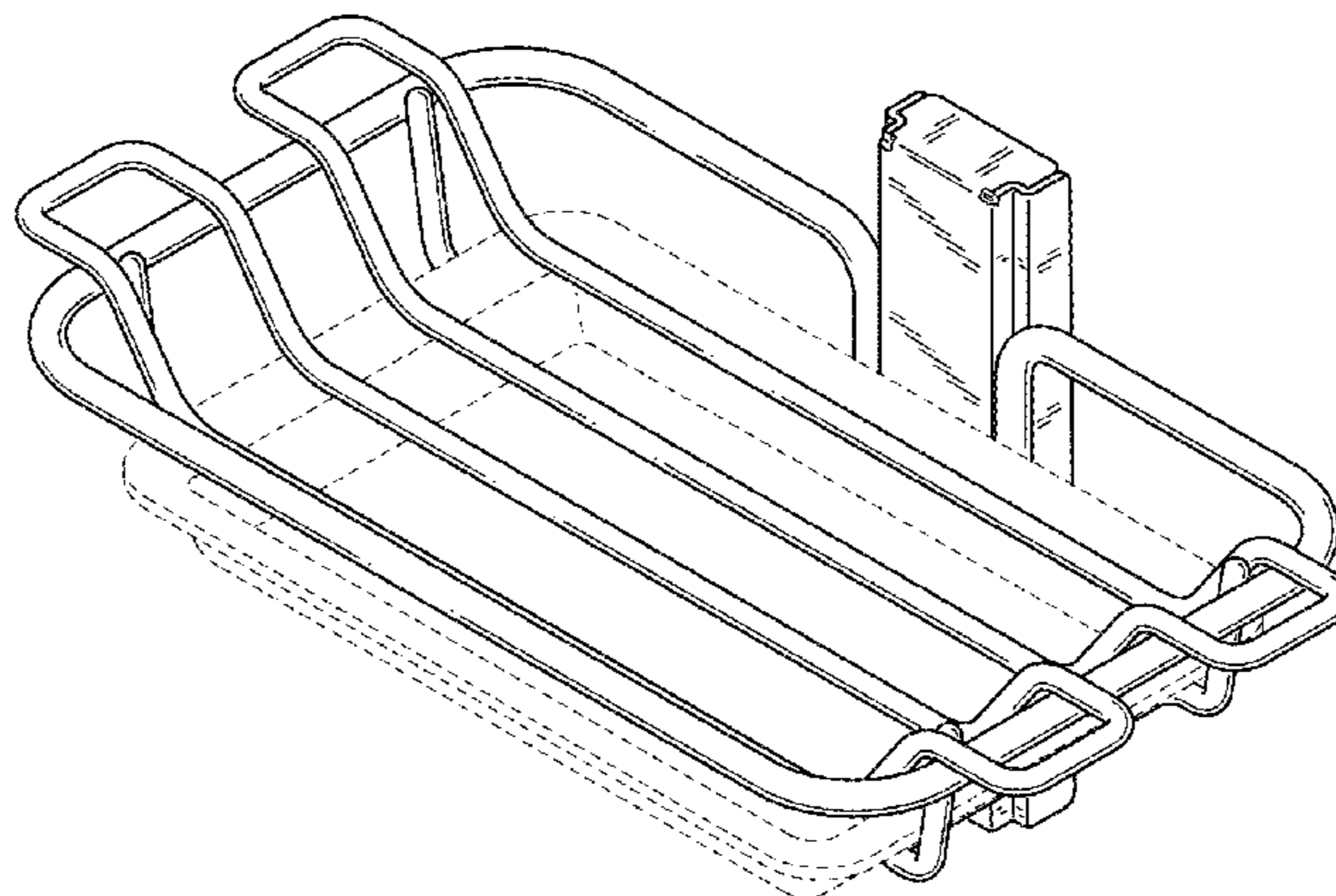
(57) **CLAIM**

The ornamental design for a soap holder, as shown and described.

**DESCRIPTION**

FIG. 1 is a perspective view showing our new design for a soap holder;  
FIG. 2 is a front elevation view thereof;  
FIG. 3 is a rear elevation view thereof;  
FIG. 4 is a top plan view thereof;  
FIG. 5 is a bottom plan view thereof; and,  
FIG. 6 is a right side elevation view thereof; the left elevation view being a mirror image thereof.  
The portions of the soap holder in FIGS. 1-6 shown in broken lines are included to show features that form no part of the claimed design.

**1 Claim, 3 Drawing Sheets**



(56)

**References Cited**

U.S. PATENT DOCUMENTS

7,182,210 B2 \* 2/2007 Metcalf ..... A47B 96/025  
211/119  
D543,403 S \* 5/2007 Tau ..... D6/540  
7,267,308 B1 \* 9/2007 Jenson ..... A47J 47/16  
211/181.1  
D554,407 S \* 11/2007 Thompson ..... D6/537  
D612,648 S \* 3/2010 Guindi ..... D6/525  
D646,099 S \* 10/2011 Mu ..... D6/537  
D676,370 S \* 2/2013 Pawsat ..... D12/223  
D701,395 S \* 3/2014 Snider ..... D6/537  
D717,068 S \* 11/2014 Callif ..... D6/537  
2009/0008516 A1 \* 1/2009 Davis ..... E04F 15/0247  
248/74.1

\* cited by examiner

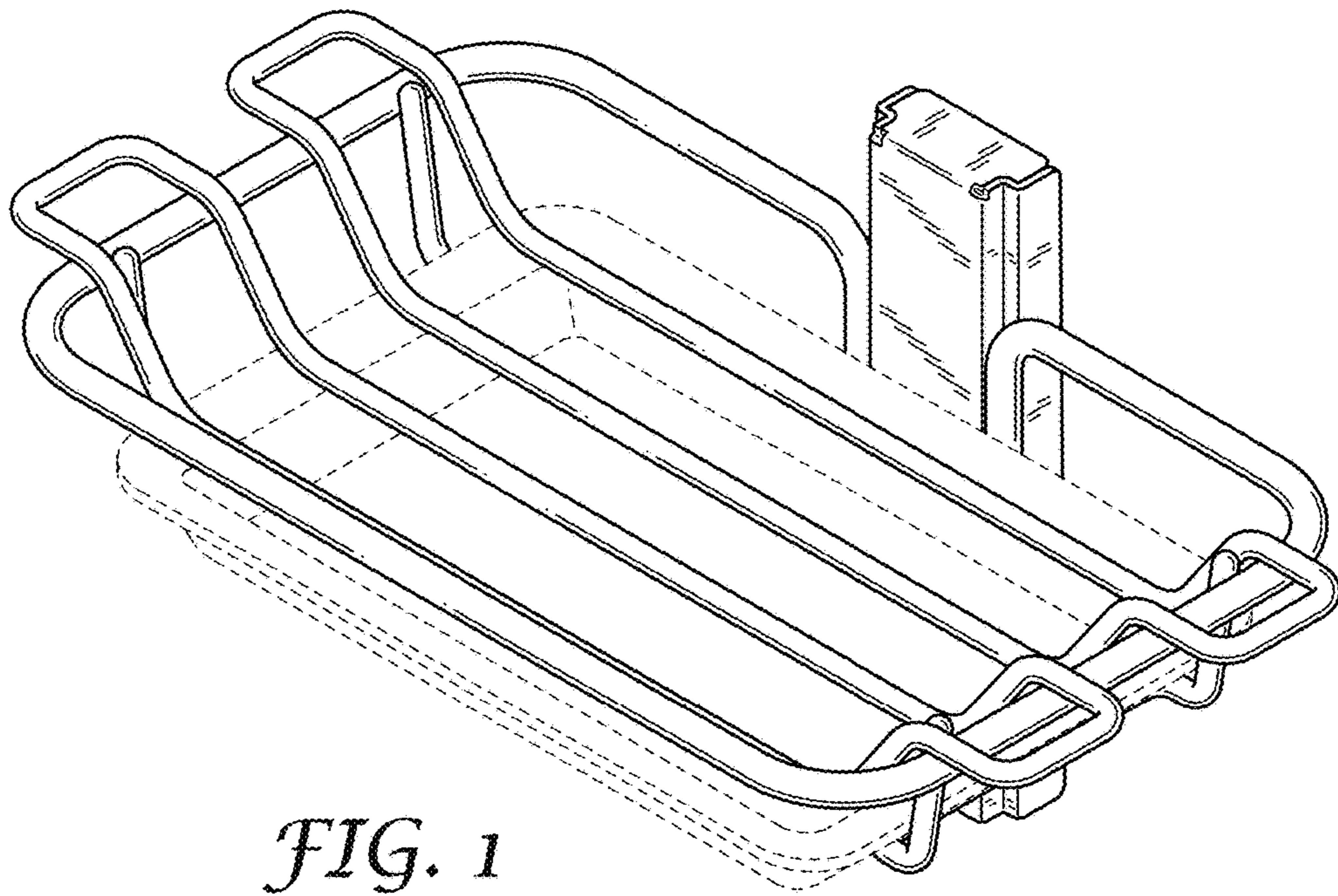


FIG. 1

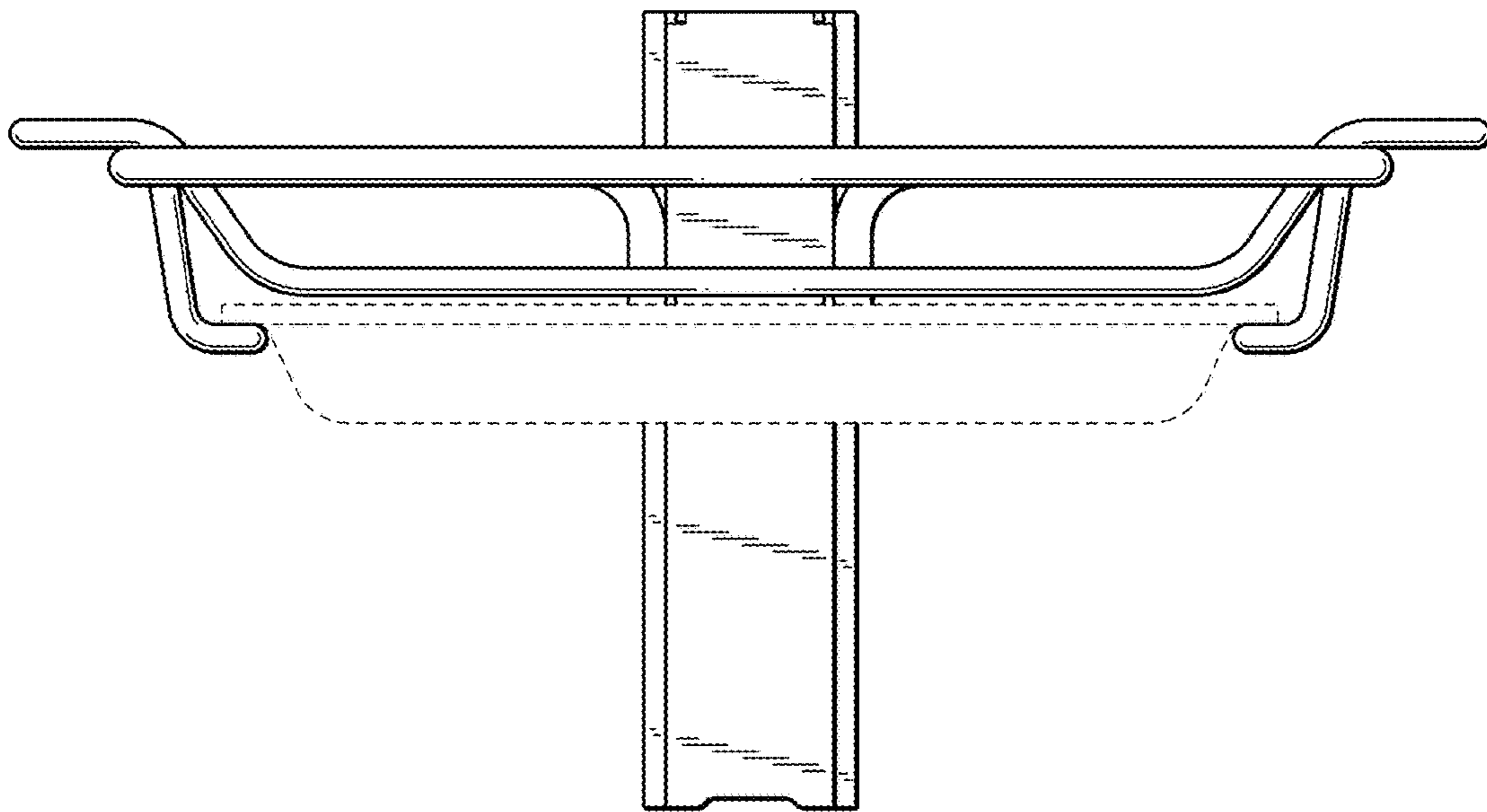
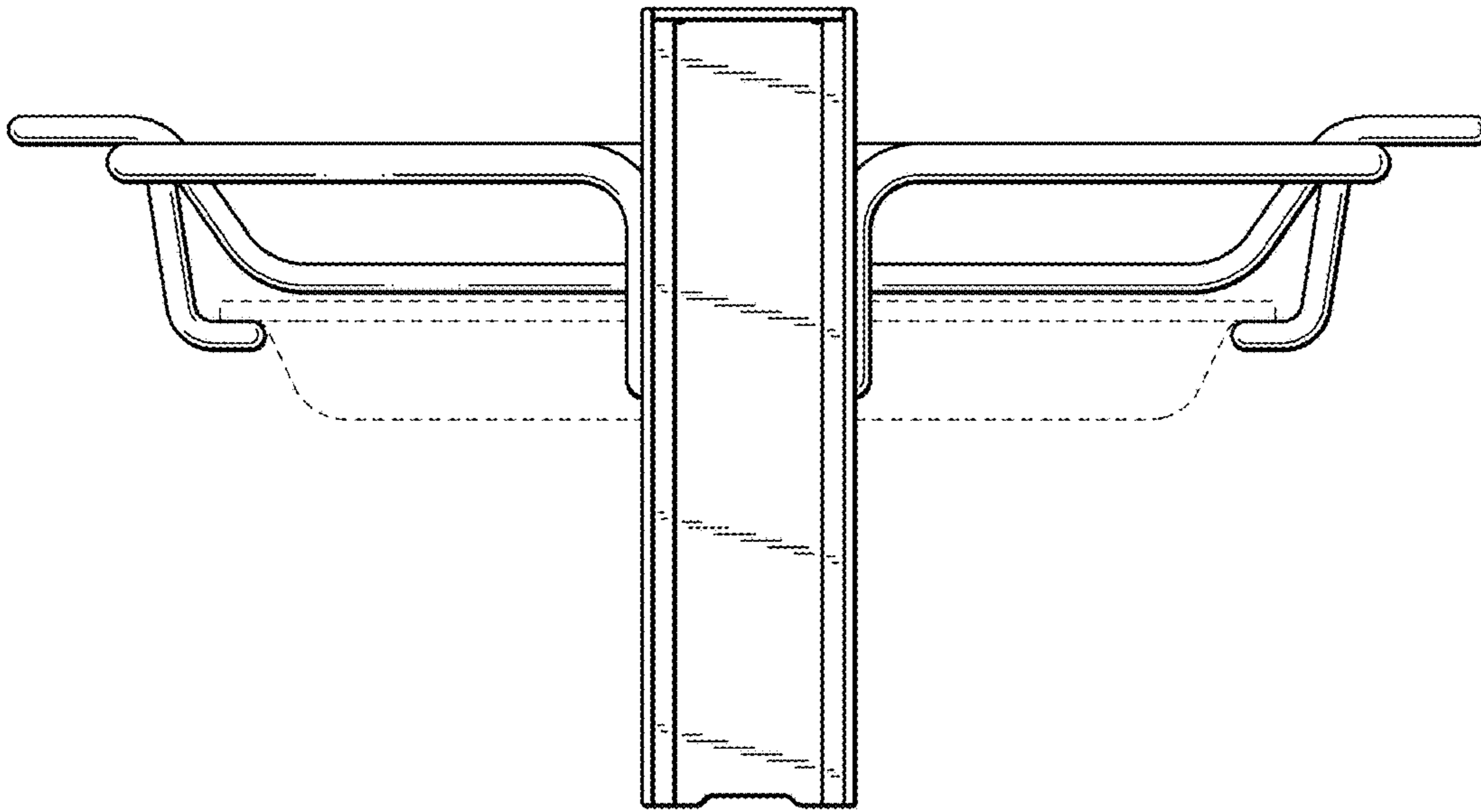
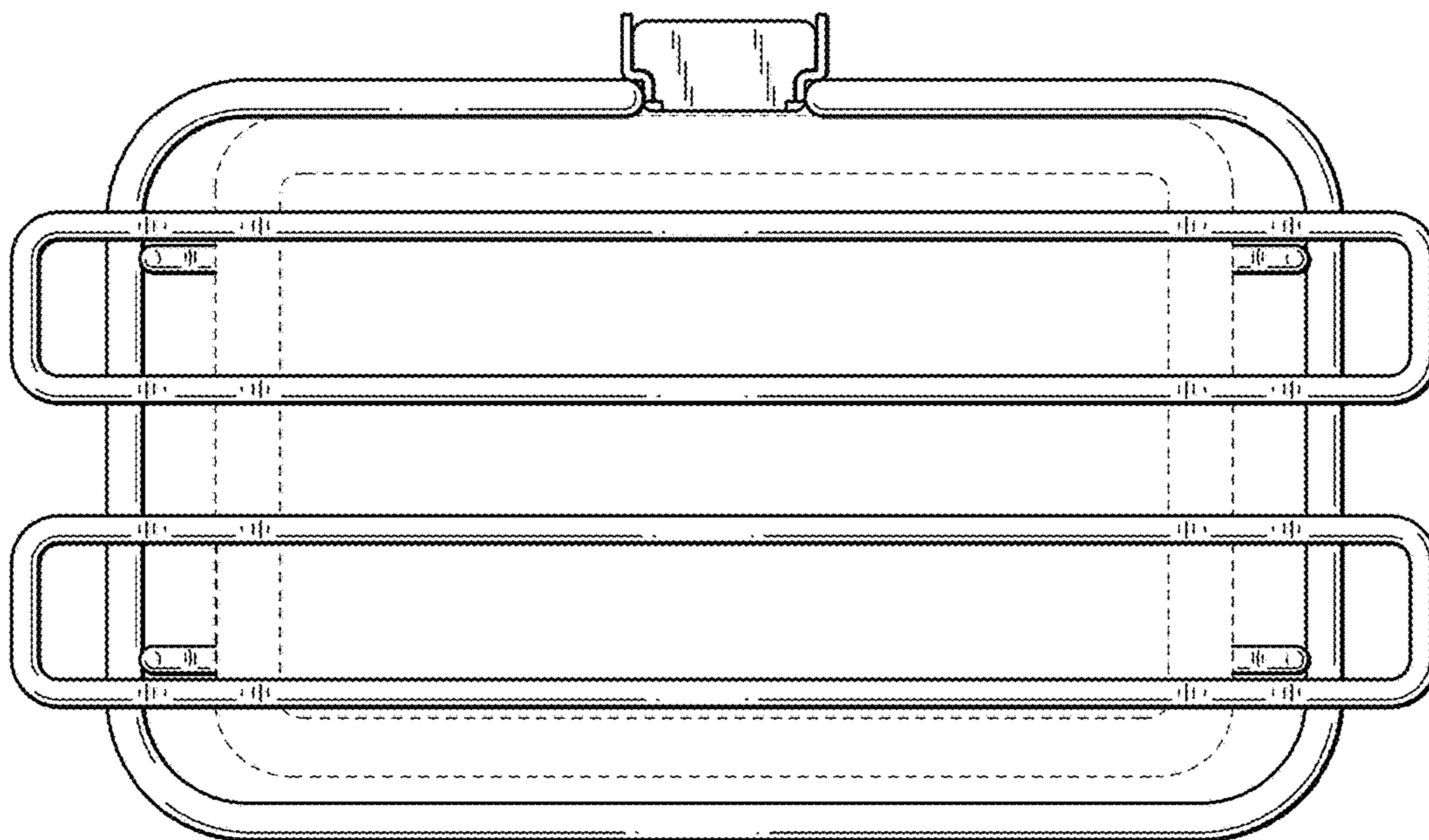


FIG. 2



*FIG. 3*



*FIG. 4*



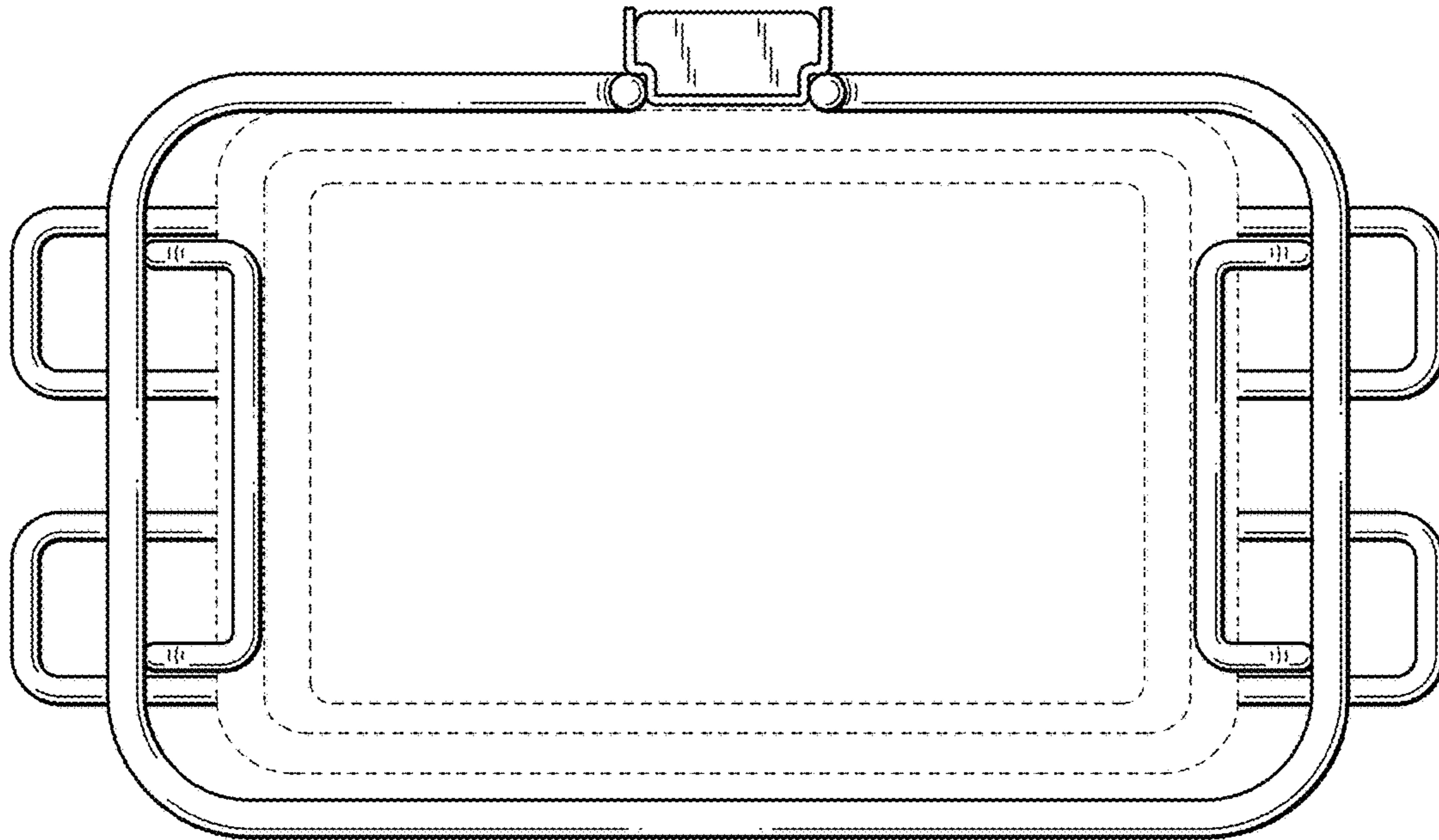


FIG. 5

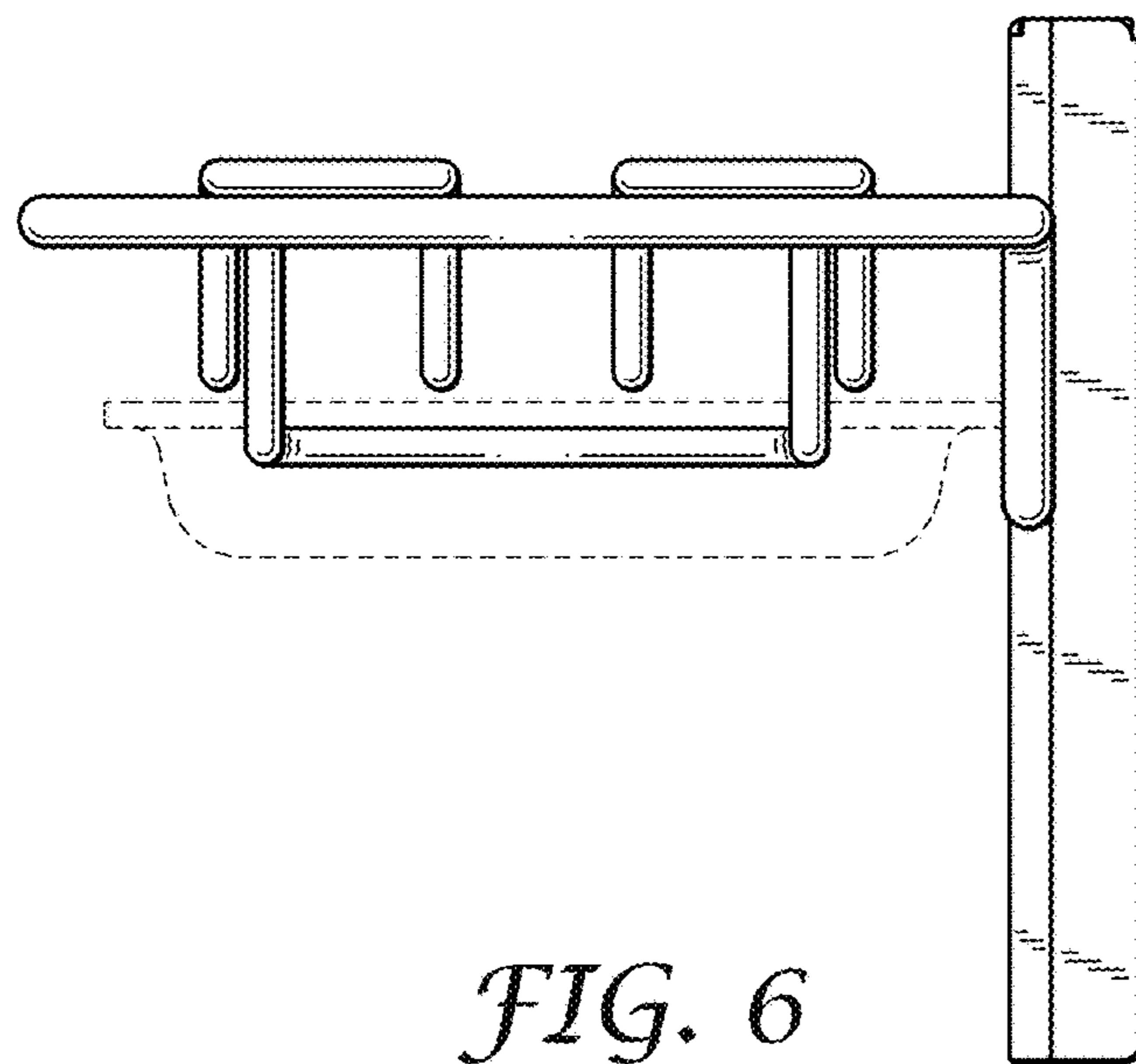


FIG. 6