



US00D773844S

(12) **United States Design Patent** (10) **Patent No.:** **US D773,844 S**
Dzugan (45) **Date of Patent:** **** Dec. 13, 2016**

(54) **DISPOSABLE TOOTHBRUSH HOLDER**

(71) Applicant: **Joe Dzugan**, Crestline, OH (US)

(72) Inventor: **Joe Dzugan**, Crestline, OH (US)

(**) Term: **14 Years**

(21) Appl. No.: **29/523,904**

(22) Filed: **Apr. 15, 2015**

(51) **LOC (10) Cl.** **23-02**

(52) **U.S. Cl.**

USPC **D6/534**

(58) **Field of Classification Search**

USPC D6/534, 524, 526, 527, 528, 529-531,
D6/551; D7/635, 701; D21/584, 604, 611;
206/208, 209, 209.1, 228, 361, 362,
206/362.1, 362.2, 362.3, 77.1; 211/13.1,
211/66, 70.6, 86.01, 87.01, 88.01, 126.1,
211/134; D4/104, 108, 113; 248/309.1
CPC A47K 1/09; A47K 5/18; A45D 44/18
See application file for complete search history.

D478,230 S * 8/2003 Dretzka D6/534
D528,334 S * 9/2006 Starck D6/534
D599,593 S * 9/2009 Ghiorghie D6/534
D619,395 S * 7/2010 Snell D6/534
8,544,390 B1 * 10/2013 Bahnsen A47G 23/08
108/94
8,915,391 B2 * 12/2014 Radow A47G 19/00
108/139
D737,104 S * 8/2015 Sobotka D7/554.2
D738,134 S * 9/2015 Snell D6/534
2011/0174823 A1 7/2011 Silva
2012/0318761 A1 * 12/2012 Volk A47K 1/09
211/65

* cited by examiner

Primary Examiner — David Muller

Assistant Examiner — Nathan Johnston

(74) *Attorney, Agent, or Firm* — Benesch, Friedlander,
Coplan & Aronoff, LLP

(57) **CLAIM**

What is claimed is the design for a disposable toothbrush holder, as shown and described.

(56) **References Cited**

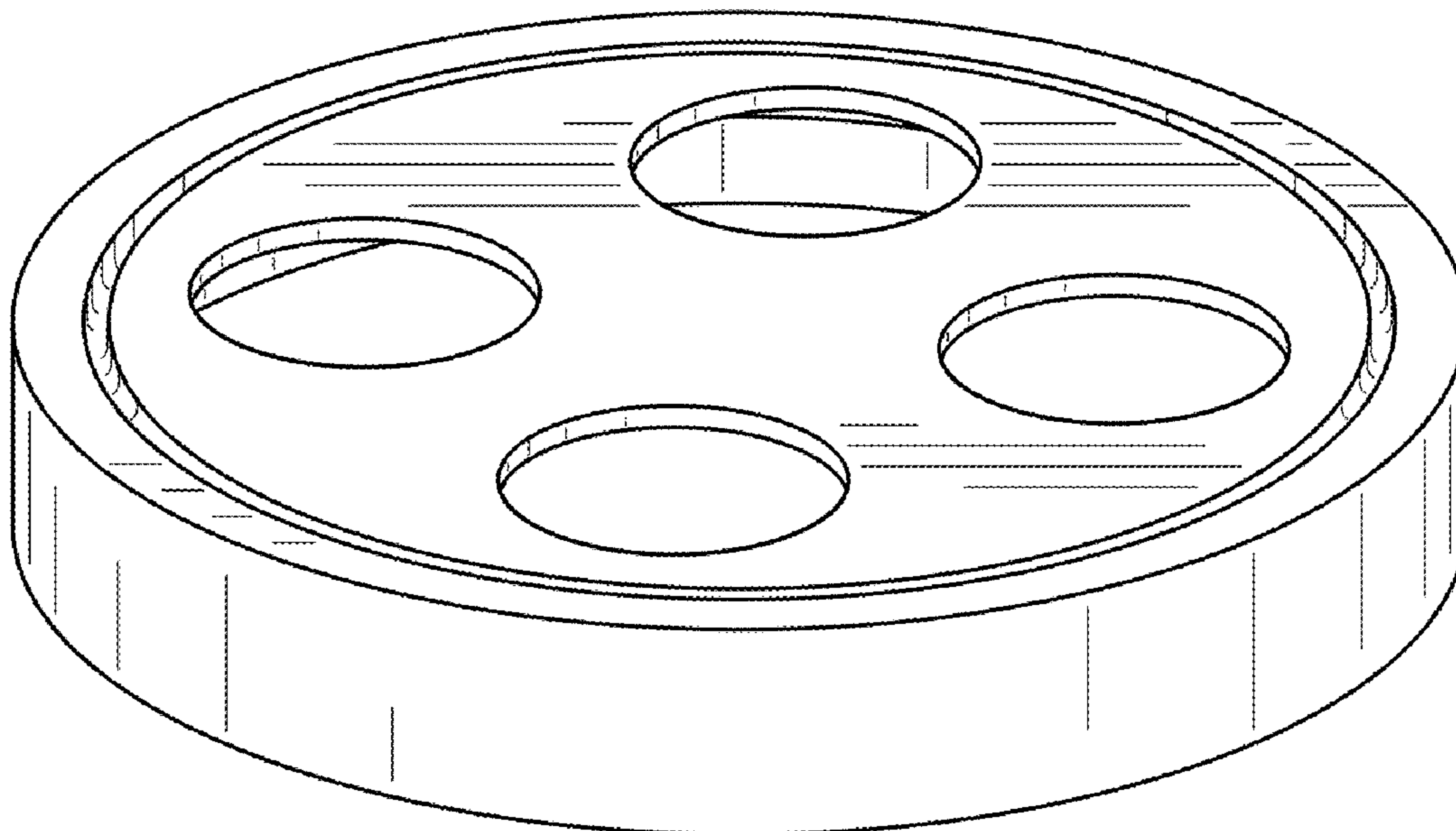
U.S. PATENT DOCUMENTS

D312,949 S * 12/1990 Persch D7/598
5,630,505 A * 5/1997 Garcia A45D 44/18
206/362.1
D423,266 S 4/2000 Ludwig
D428,288 S 7/2000 Mahlmann
6,186,324 B1 * 2/2001 Catterson A45D 44/18
206/15.2
D440,832 S * 4/2001 Goldsborough D11/152

DESCRIPTION

FIG. 1 is a top perspective view of a disposable toothbrush holder showing a new design;
FIG. 2 is a side elevation view;
FIG. 3 is a top plan view;
FIG. 4 is a bottom plan view; and,
FIG. 5 is a bottom perspective view thereof.

1 Claim, 3 Drawing Sheets



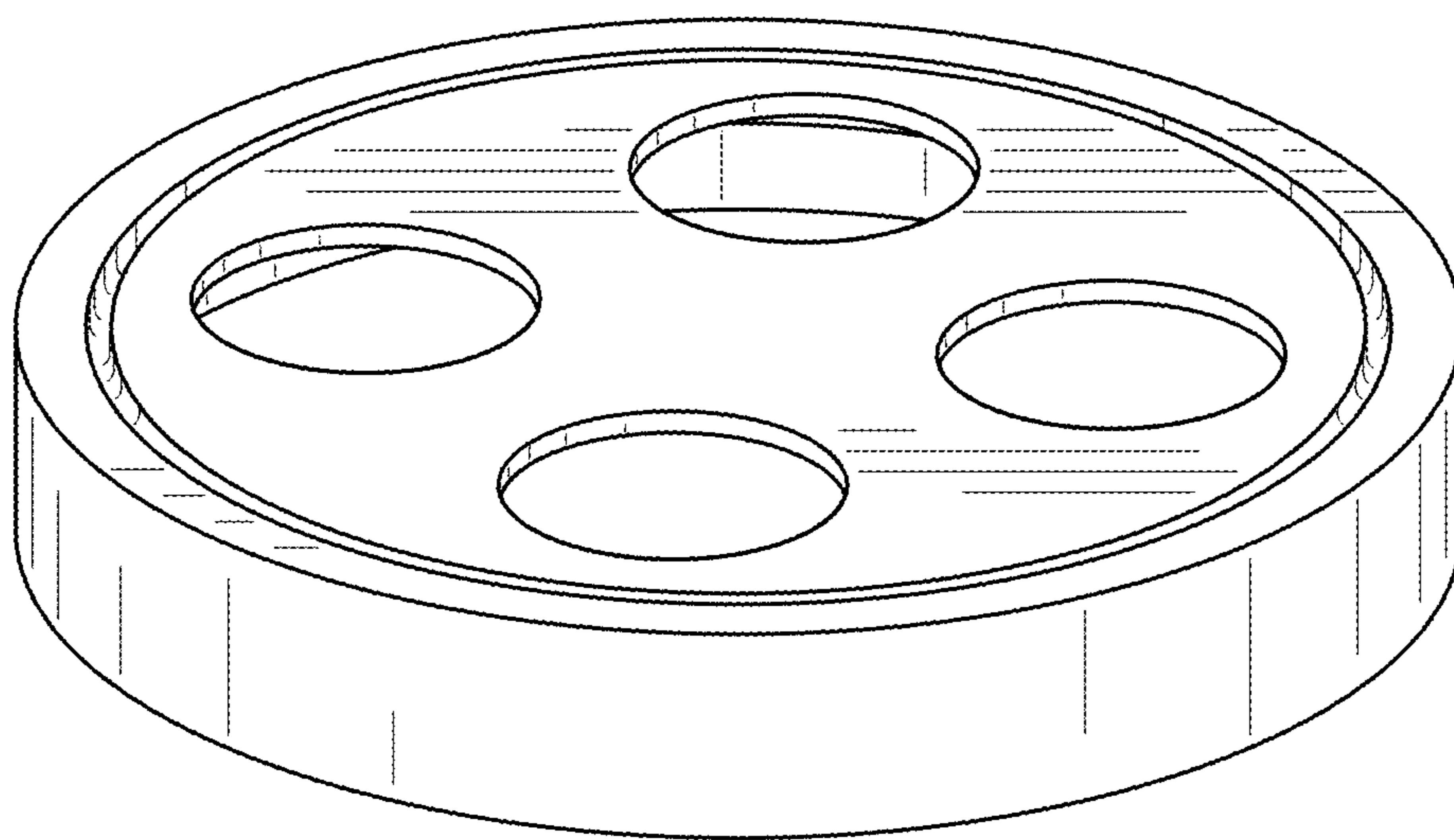


FIG. 1

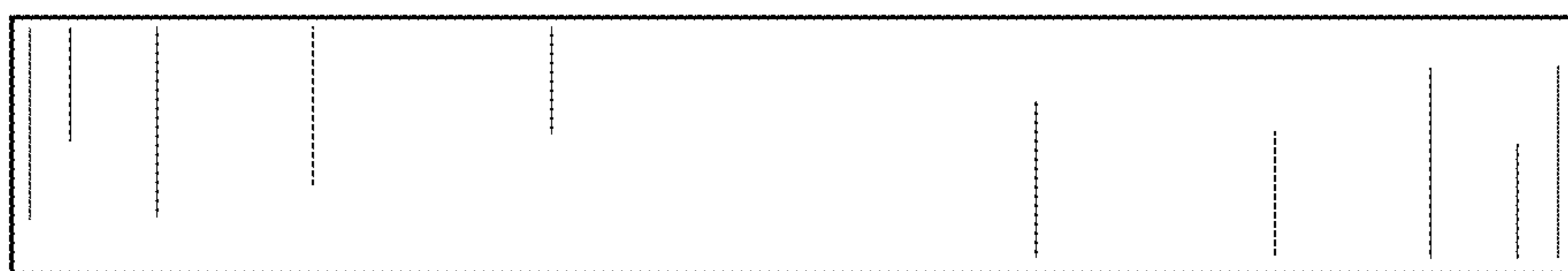


FIG. 2

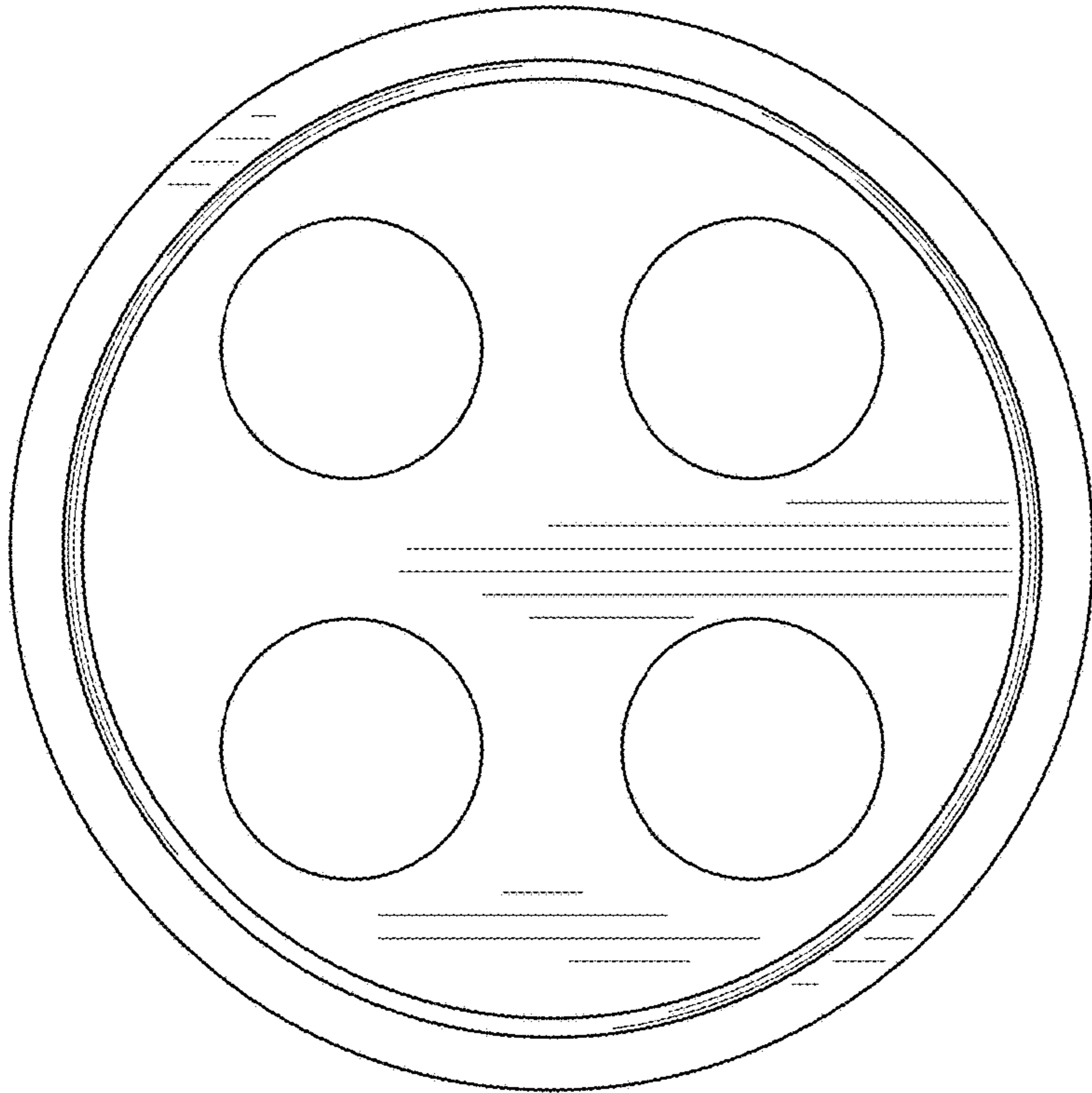


FIG. 3

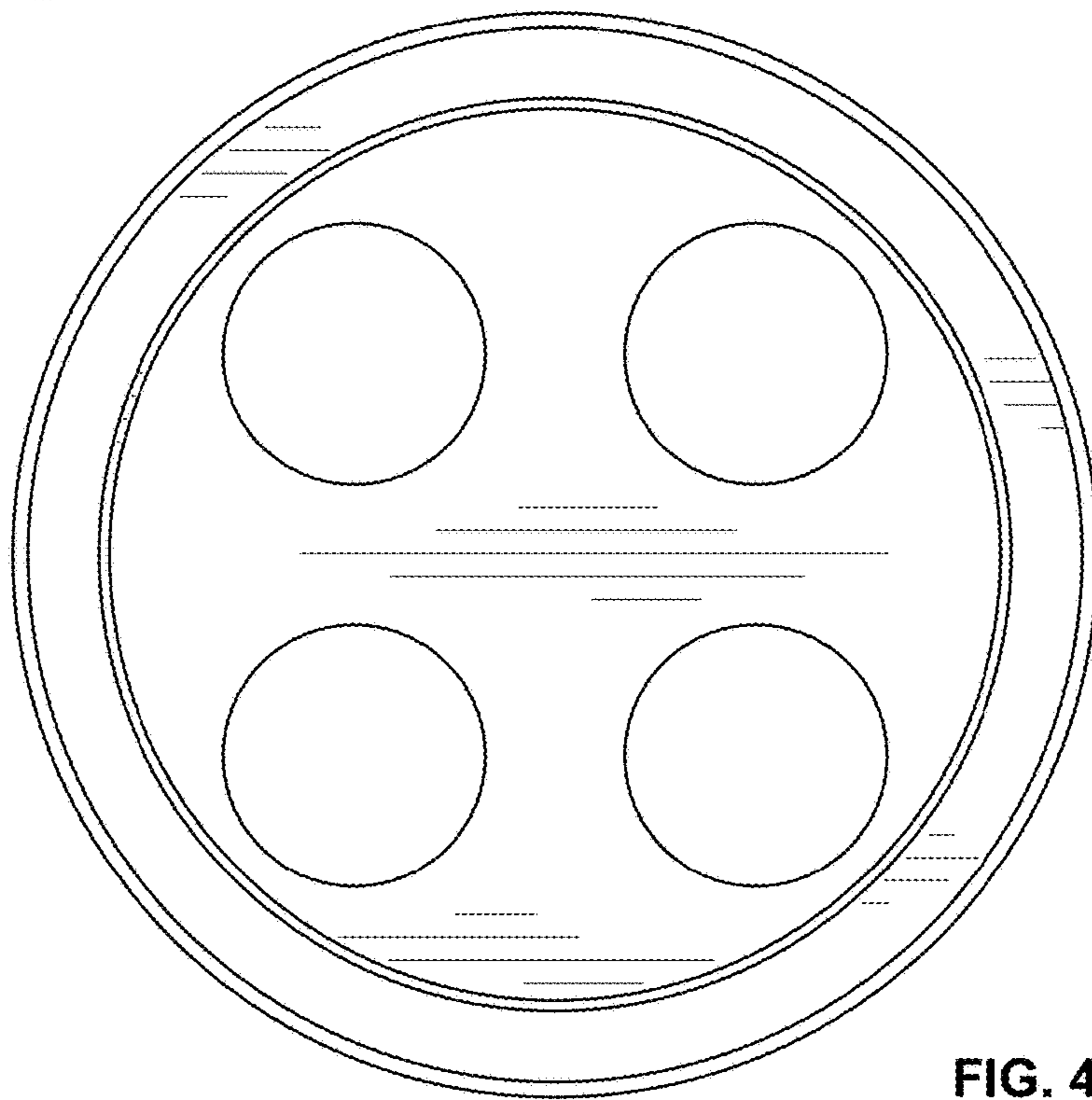


FIG. 4

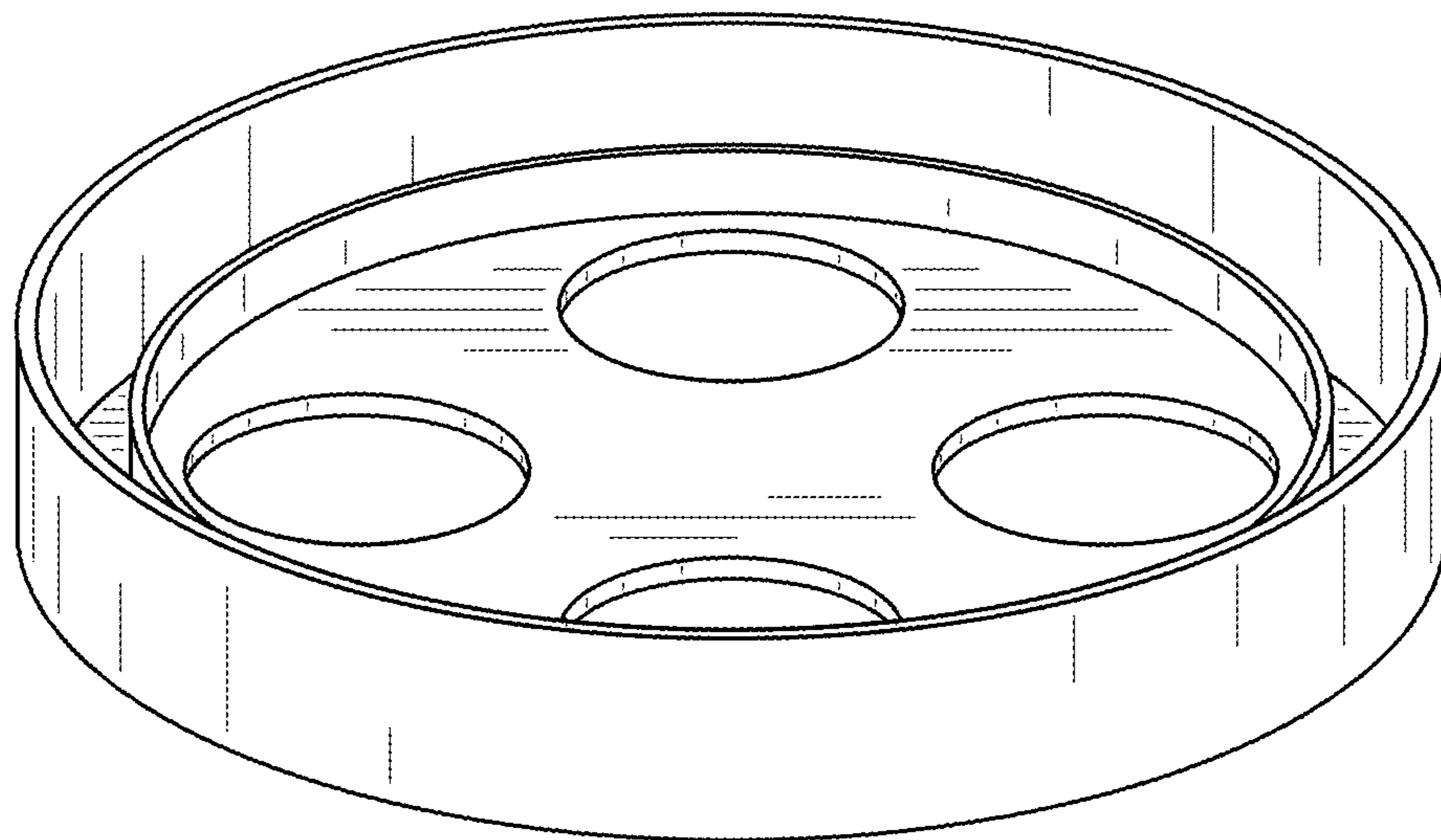


FIG. 5