



US00D773842S

(12) **United States Design Patent** (10) **Patent No.:** **US D773,842 S**
Frankel et al. (45) **Date of Patent:** **** Dec. 13, 2016**

(54) **ELASTIC BELT CHAIR**
(71) Applicant: **Zenithen USA LLC**, Diamond Bar, CA (US)
(72) Inventors: **Andrew David Frankel**, Yorba Linda, CA (US); **Shi-Ping Zheng**, Fuzhou (CN); **Tian-Xia Zheng**, Fujian (CN)
(73) Assignee: **Zenithen USA, LLC**, Diamond Bar, CA (US)
(**) Term: **14 Years**
(21) Appl. No.: **29/526,184**
(22) Filed: **May 7, 2015**
(51) **LOC (10) Cl.** **06-01**
(52) **U.S. Cl.**
USPC **D6/368**
(58) **Field of Classification Search**
USPC D6/334-336, 368, 370, 371, 373, 375, D6/379, 380, 716, 716.1, 716.2, 716.3, D6/716.4
CPC A47C 3/12; A47C 4/00; A47C 4/28; A47C 4/42; A47C 4/44; A47C 4/48; A47C 4/50; A47C 5/04; A47C 5/10
See application file for complete search history.

D499,258 S * 12/2004 Tseng D6/368
6,848,740 B1 * 2/2005 Reese A47C 5/10
297/16.1
6,877,814 B2 * 4/2005 Lin A47C 5/10
297/440.1
6,938,951 B1 * 9/2005 Tseng A47C 4/48
297/16.1
7,000,983 B1 * 2/2006 Tsai A47C 4/50
297/56
D528,317 S * 9/2006 Tseng D6/368
D608,104 S * 1/2010 Vonnegut D6/370
8,801,090 B2 * 8/2014 Akkad A47C 4/48
297/46
2003/0234561 A1 * 12/2003 Zheng A47C 5/10
297/45
2007/0187998 A1 * 8/2007 Chen A47C 4/44
297/45
2010/0164256 A1 * 7/2010 Salisbury A47C 4/28
297/16.2

* cited by examiner

Primary Examiner — Mimosa De
(74) *Attorney, Agent, or Firm* — Merek, Blackmon & Voorhees, LLC

(57) **CLAIM**

The ornamental design for an elastic belt chair, as shown and described.

DESCRIPTION

FIG. 1 is a front elevational view of our elastic belt chair; FIG. 2 is a right side perspective view of the elastic belt chair shown in FIG. 1; FIG. 3 is a right side elevational view of the elastic belt chair, with the left side elevational view being a mirror image thereof; FIG. 4 is a rear elevational view of the elastic belt chair; FIG. 5 is a bottom plan view of the elastic belt chair; and, FIG. 6 is a top plan view of the elastic belt chair.

1 Claim, 6 Drawing Sheets

(56) **References Cited**
U.S. PATENT DOCUMENTS
D224,635 S * 8/1972 Yuenger D6/370
D292,048 S * 9/1987 Shaffer D6/363
4,836,601 A * 6/1989 Cone A47C 4/42
297/16.2
D338,114 S * 8/1993 Morin D6/370
D417,104 S * 11/1999 Chalmers D6/370
5,976,664 A * 11/1999 Lohmeyer A47C 3/12
297/445.1
D475,860 S * 6/2003 Yang D6/367

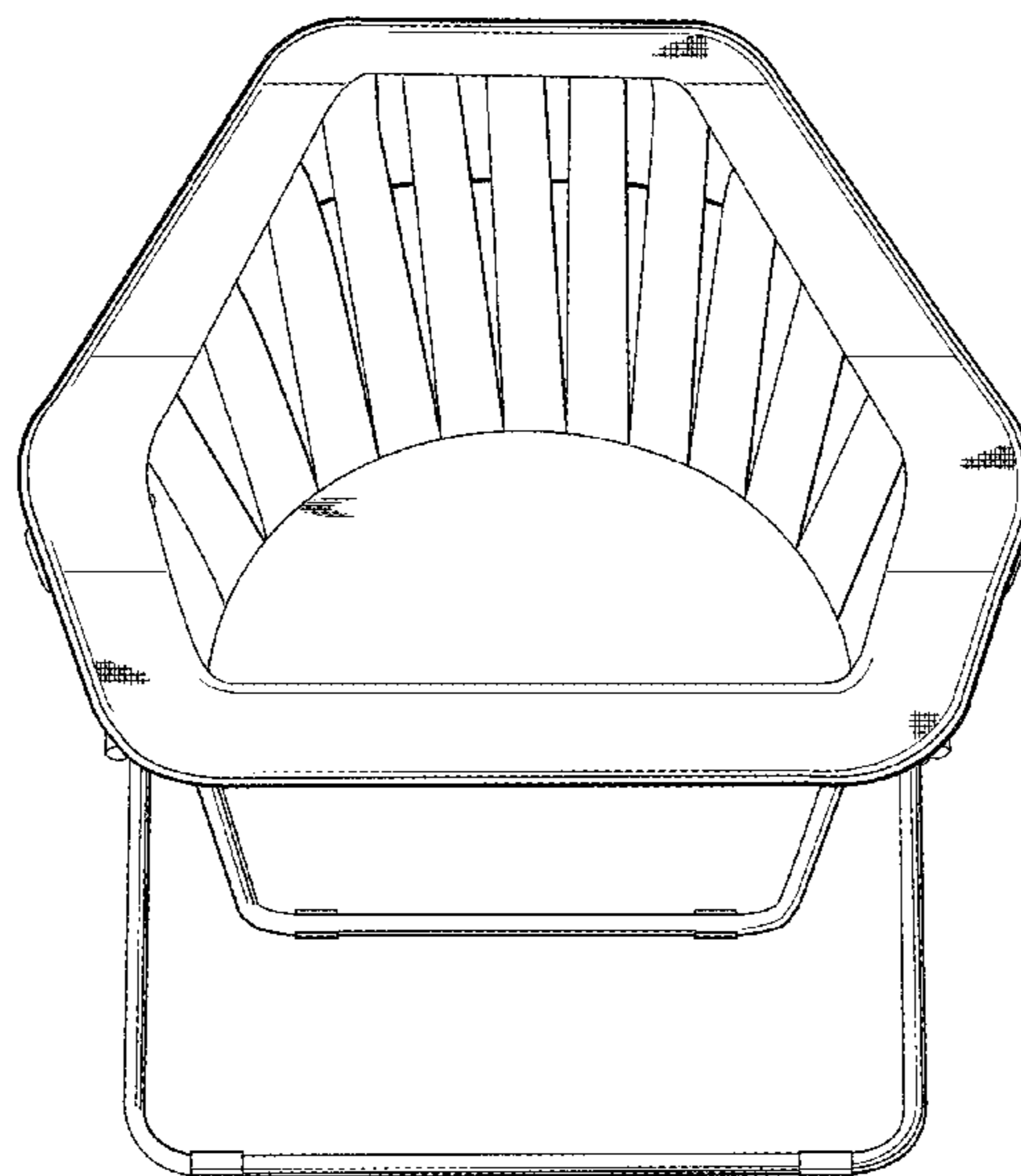


Fig. 1

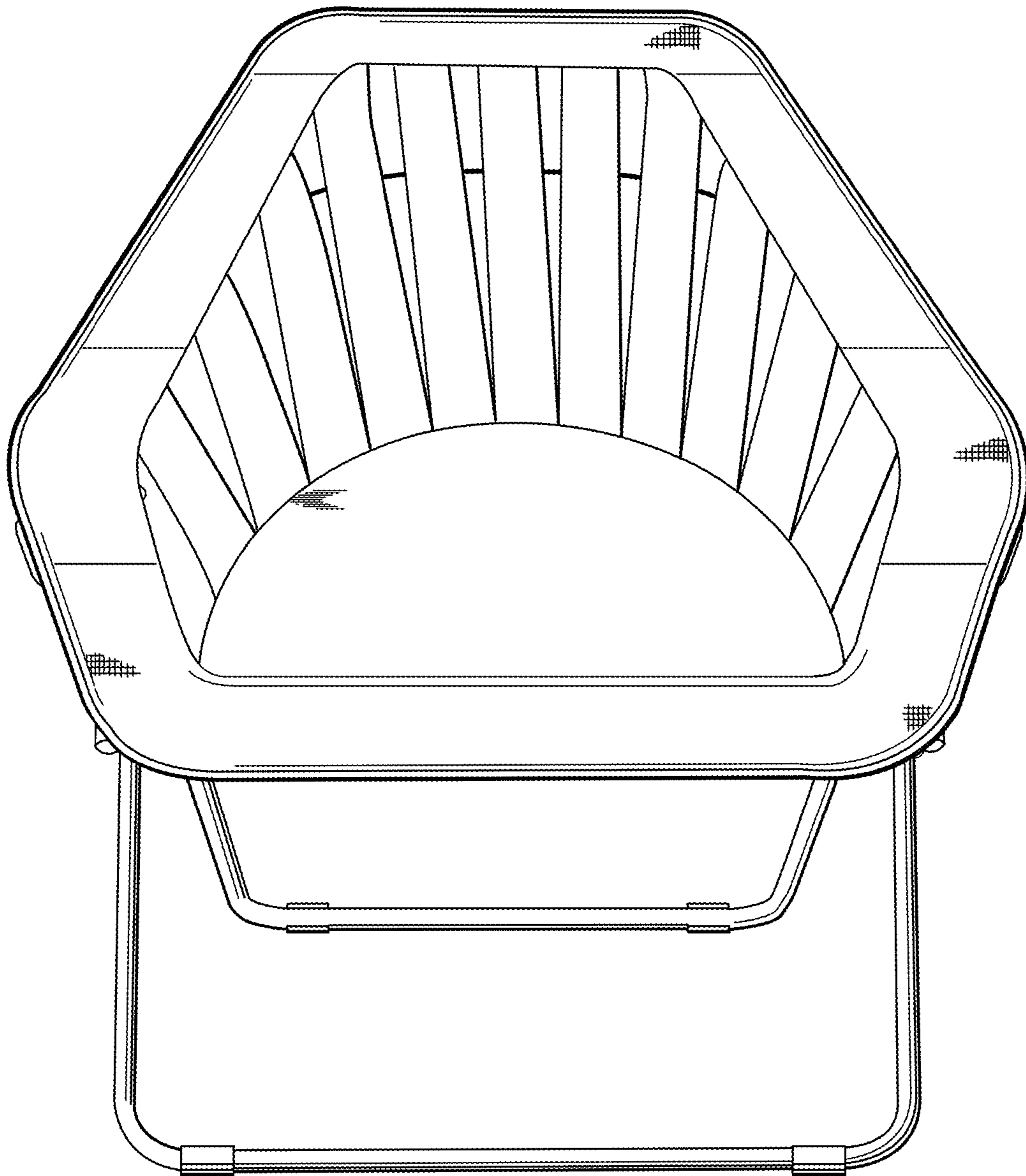


Fig. 2



Fig. 3

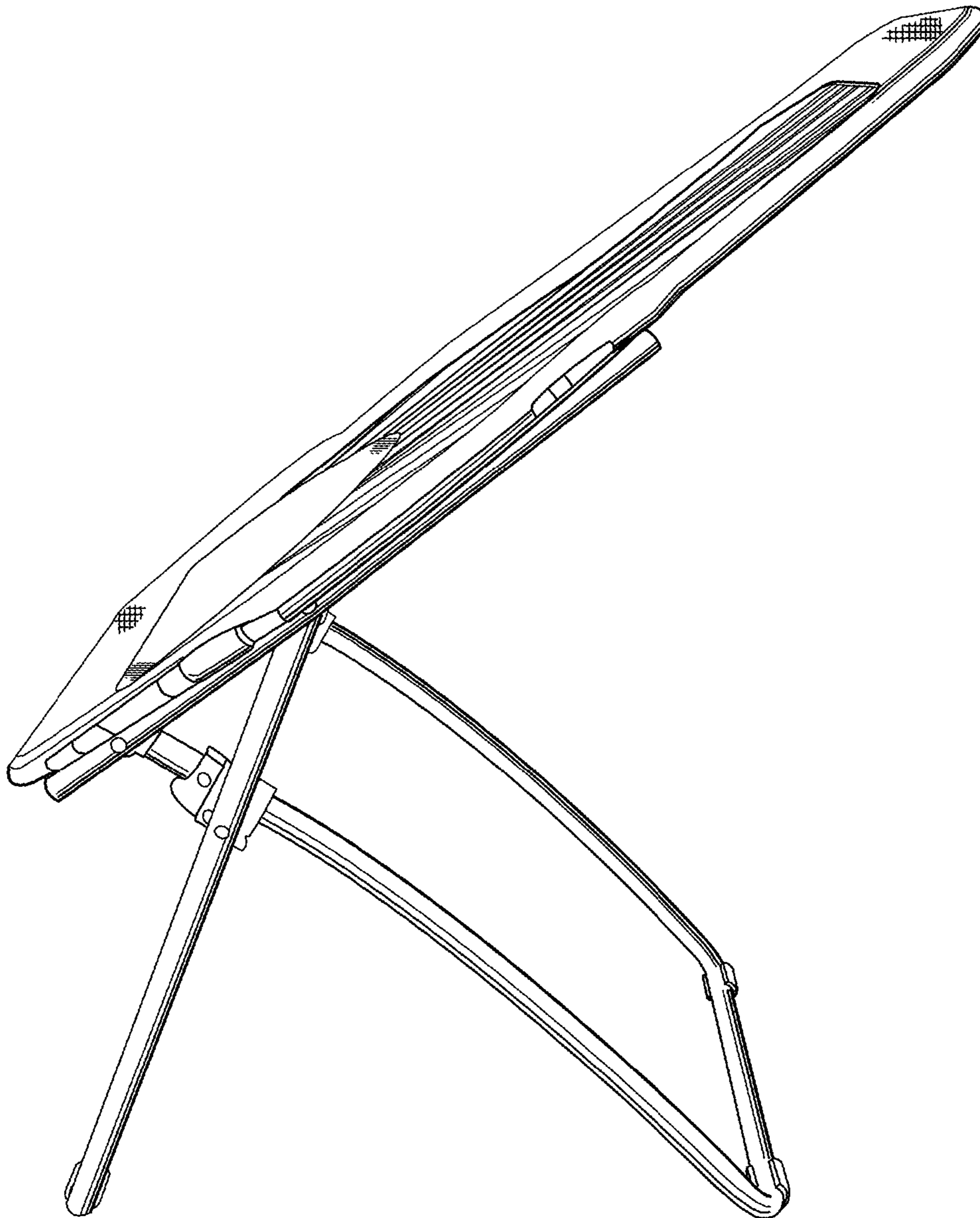


Fig. 4

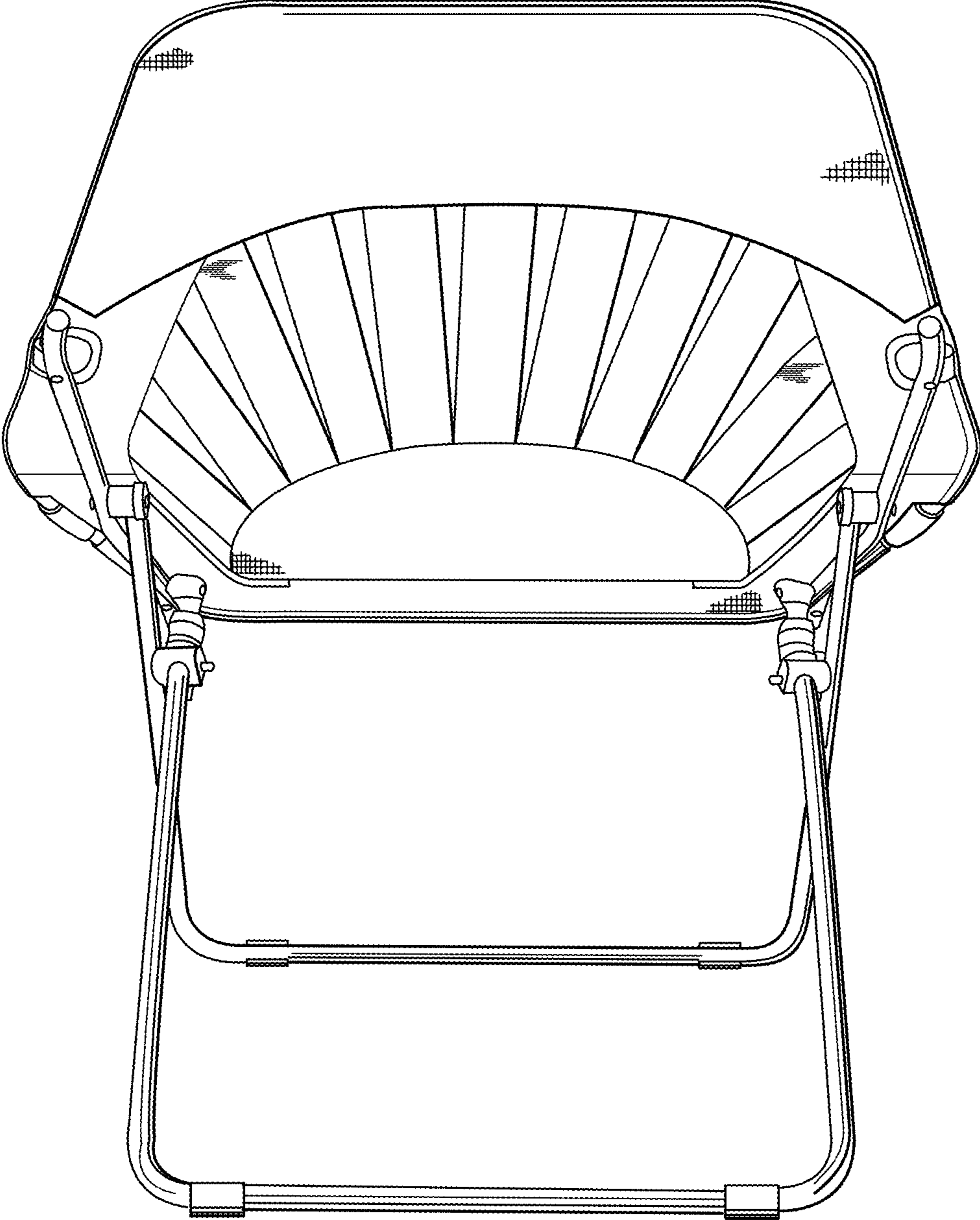


Fig. 5

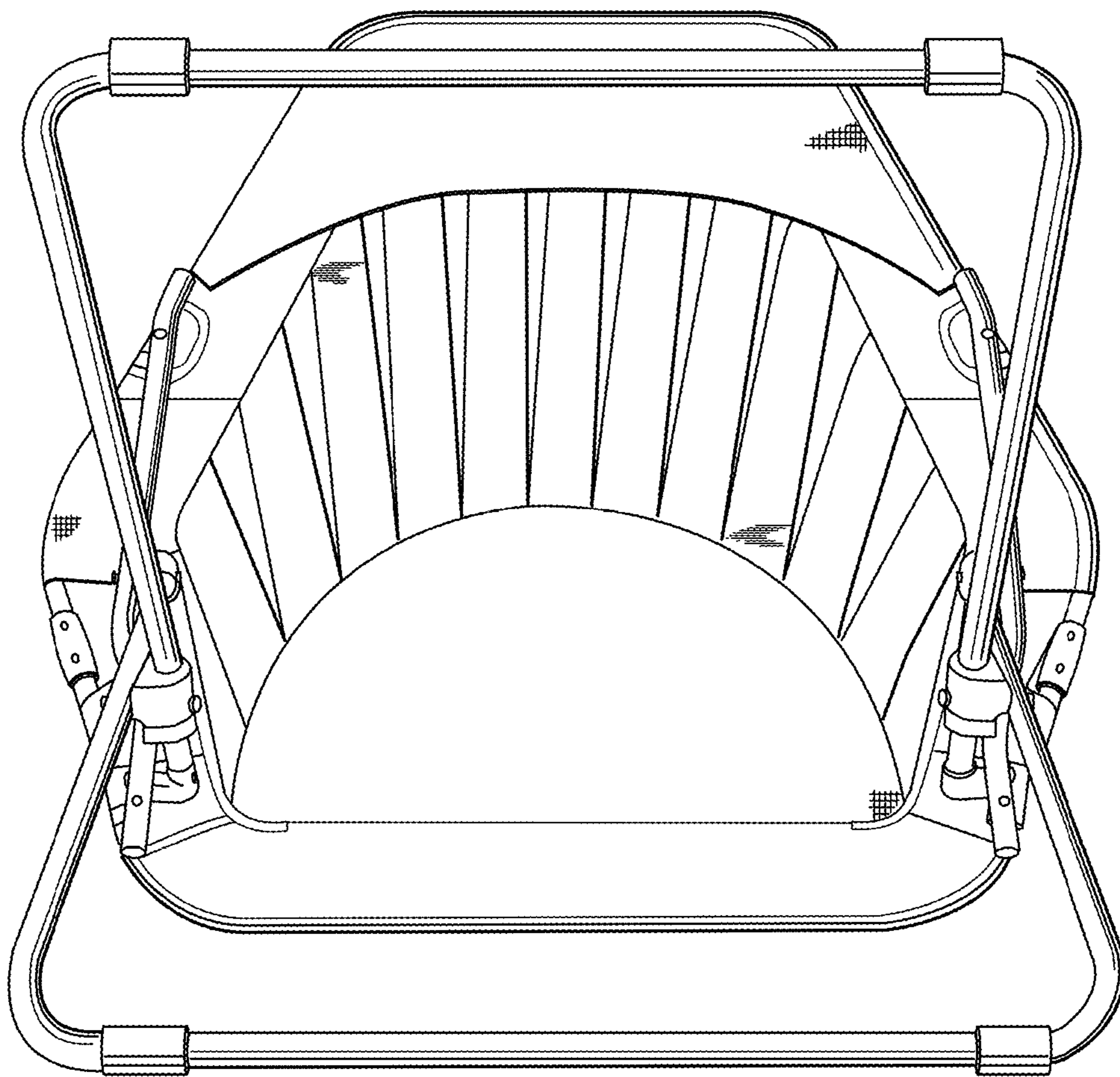


Fig. 6

