



US00D773841S

(12) **United States Design Patent** (10) **Patent No.:** **US D773,841 S**  
**Lyles** (45) **Date of Patent:** **\*\* Dec. 13, 2016**

(54) **STADIUM CHAIR** 7,316,452 B2 \* 1/2008 Vestweber ..... A47C 1/16  
297/252  
(71) Applicant: **Annmarie A. Lyles**, Verona, WI (US) 7,438,356 B2 \* 10/2008 Howman ..... A47C 7/021  
297/17  
(72) Inventor: **Annmarie A. Lyles**, Verona, WI (US) D610,821 S \* 3/2010 Dreiling ..... D6/362  
7,722,117 B2 \* 5/2010 Jones ..... A47C 1/16  
297/230.1  
(\*\*) Term: **15 Years** 8,011,194 B2 \* 9/2011 Dimmitt ..... A47C 4/52  
62/115

(21) Appl. No.: **29/538,722**  
(22) Filed: **Sep. 8, 2015**  
(51) **LOC (10) Cl.** ..... **06-01**  
(52) **U.S. Cl.**  
USPC ..... **D6/362; D6/368**  
(58) **Field of Classification Search**  
USPC ..... D6/334-336, 362, 368, 374, 379, 601,  
D6/716, 716.1, 716.2, 716.3, 716.4  
CPC ..... A47C 1/12; A47C 1/16; A47C 1/121;  
A47C 1/146; A47C 3/16; A47C  
7/021; A47C 7/48  
See application file for complete search history.

\* cited by examiner  
*Primary Examiner* — Mimosa De  
(74) *Attorney, Agent, or Firm* — Iussa Law, PLLC

(57) **CLAIM**

The ornamental design for a stadium chair, as shown and described.

(56) **References Cited**

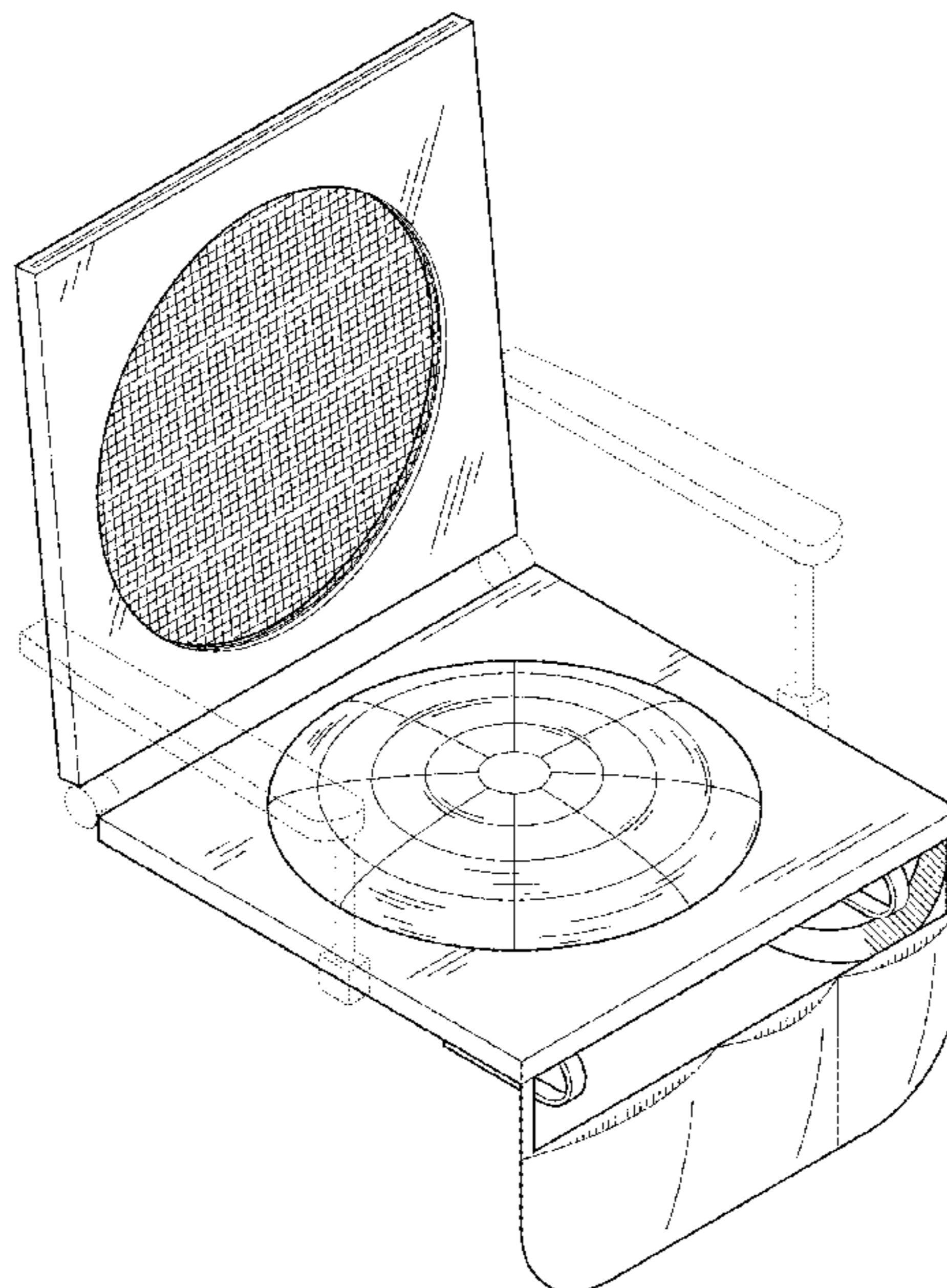
**DESCRIPTION**

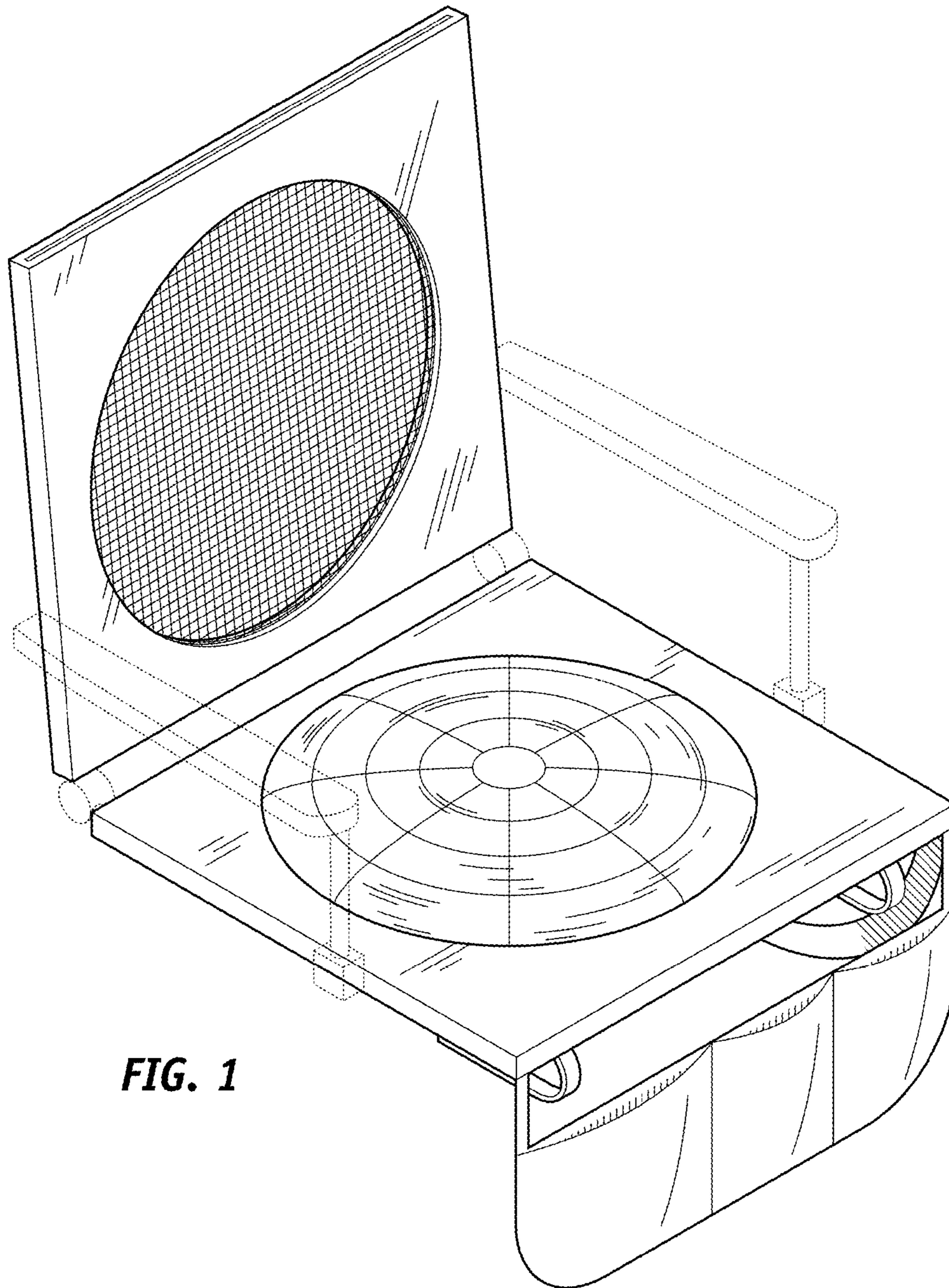
U.S. PATENT DOCUMENTS

2,545,840 A \* 3/1951 Browne ..... A47C 1/16  
297/252  
2,740,466 A \* 4/1956 Du Priest ..... A47C 1/16  
297/183.5  
3,310,341 A \* 3/1967 Connell ..... A47C 1/16  
297/252  
D258,178 S \* 2/1981 Bayne ..... D6/368  
5,190,344 A \* 3/1993 Anderson ..... A47C 7/021  
297/17  
5,421,637 A \* 6/1995 Lemburg ..... A47C 7/021  
297/129  
5,516,193 A \* 5/1996 Simpson ..... A47C 4/52  
297/188.01  
D468,548 S \* 1/2003 Head, Jr. .... D6/368

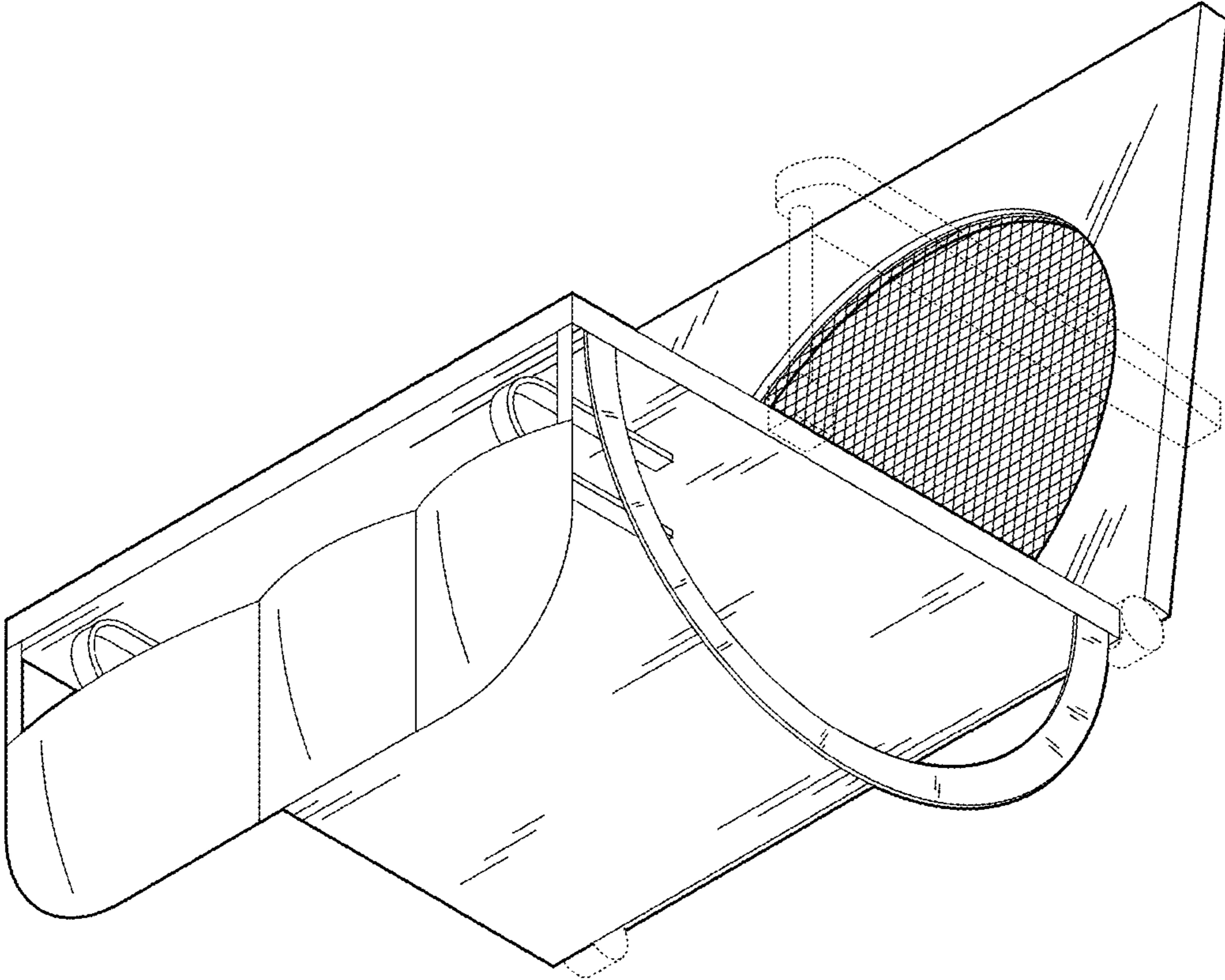
FIG. 1 is a perspective view of a stadium chair showing a top, front, and right side of my new design;  
FIG. 2 is a perspective view of the stadium chair showing a bottom, front, and left side of my new design;  
FIG. 3 is a front view thereof;  
FIG. 4 is a right side view thereof; a left side view is not shown but is a mirror image of the right side view and also shows a carrying strap, which can also be seen by the other views;  
FIG. 5 is a rear view thereof;  
FIG. 6 is a top view thereof; and,  
FIG. 7 is a bottom view thereof.

**1 Claim, 7 Drawing Sheets**

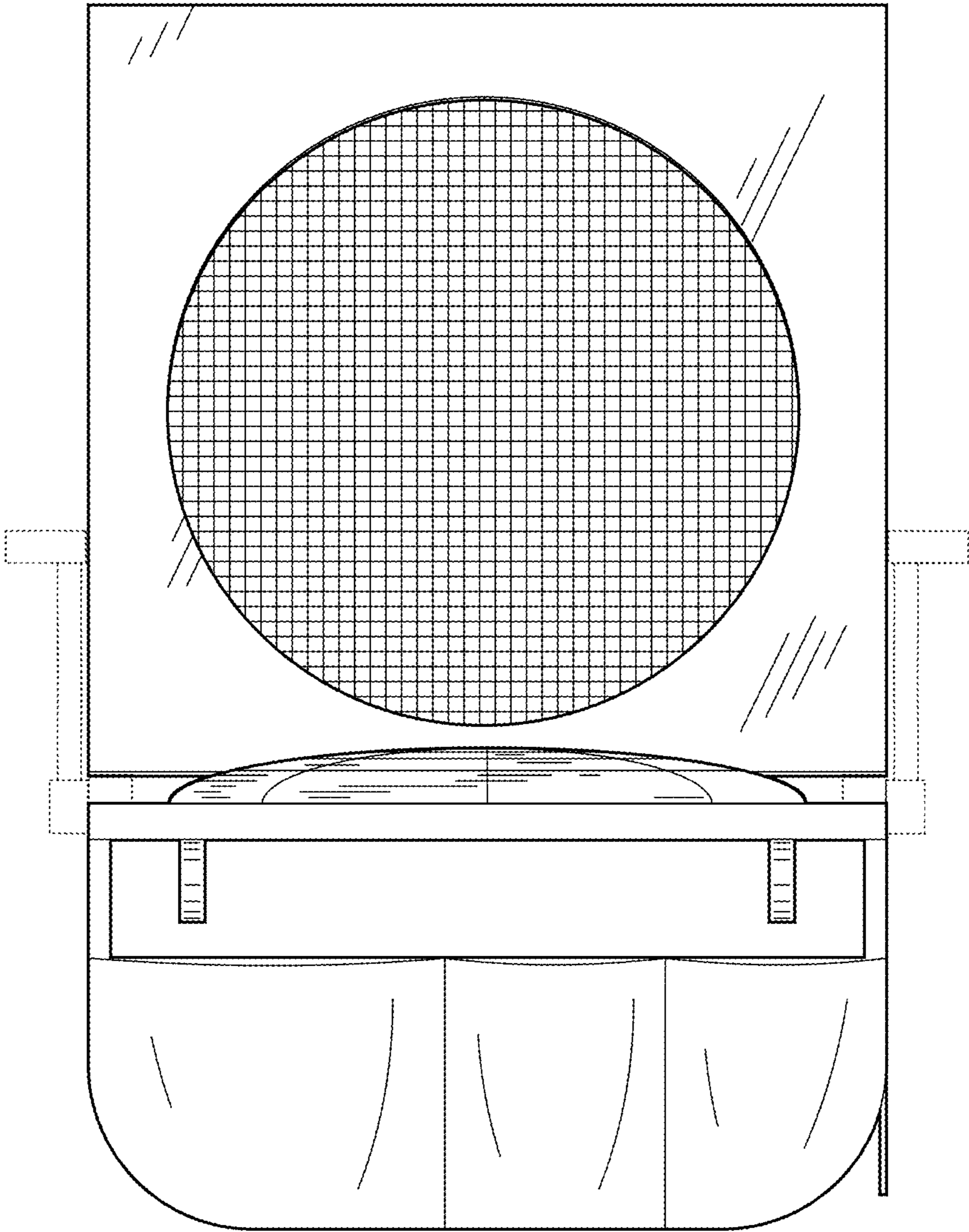




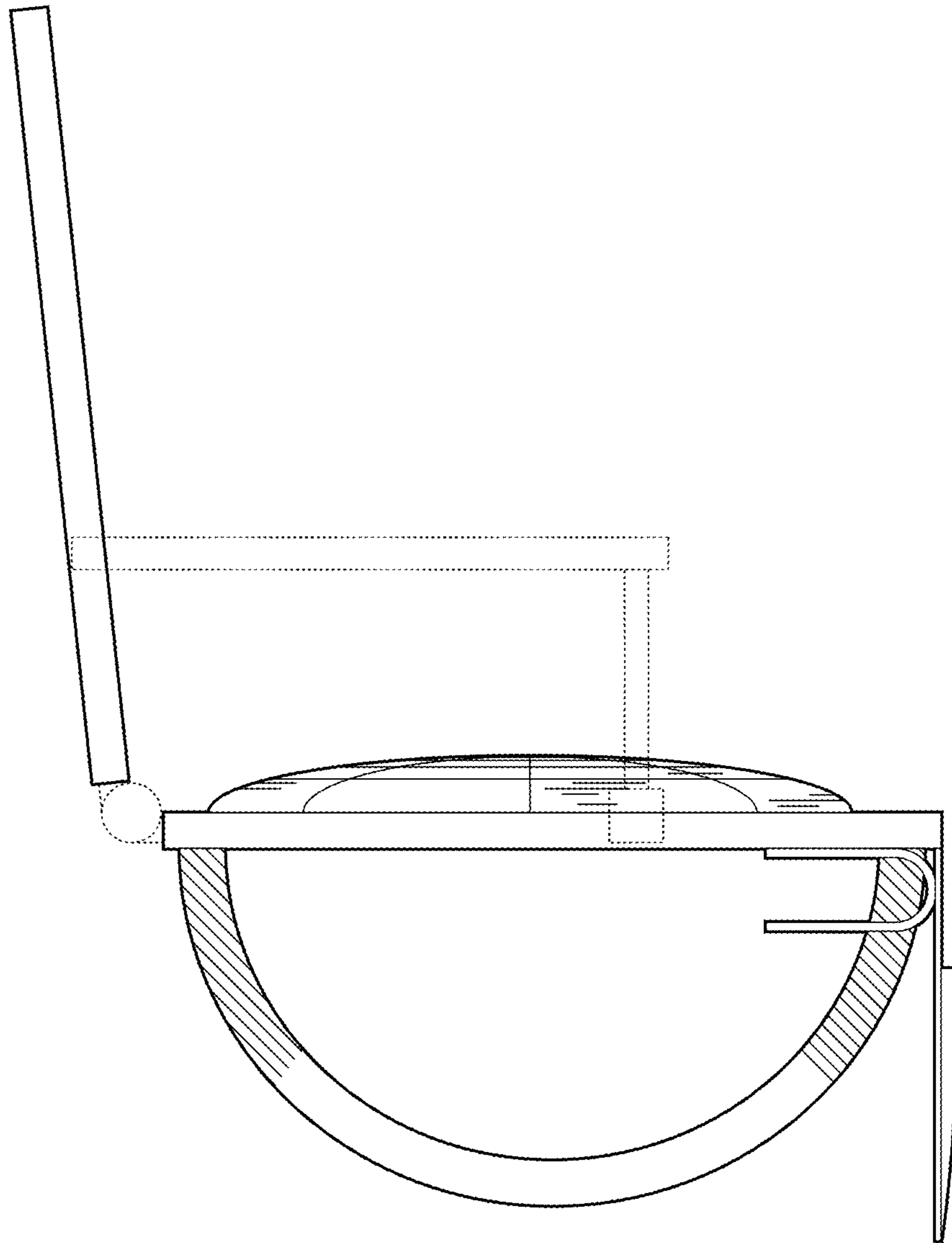
**FIG. 1**



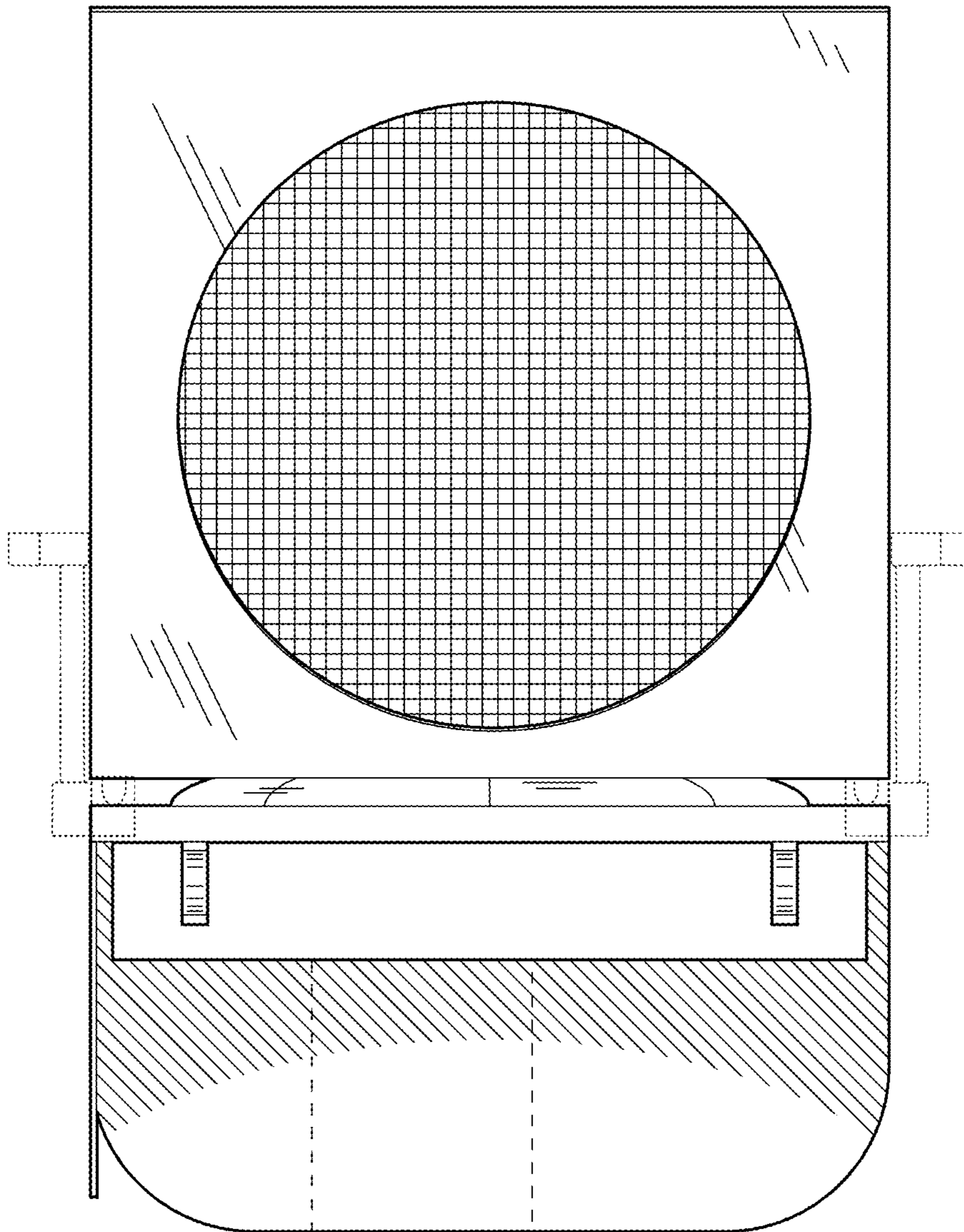
**FIG. 2**



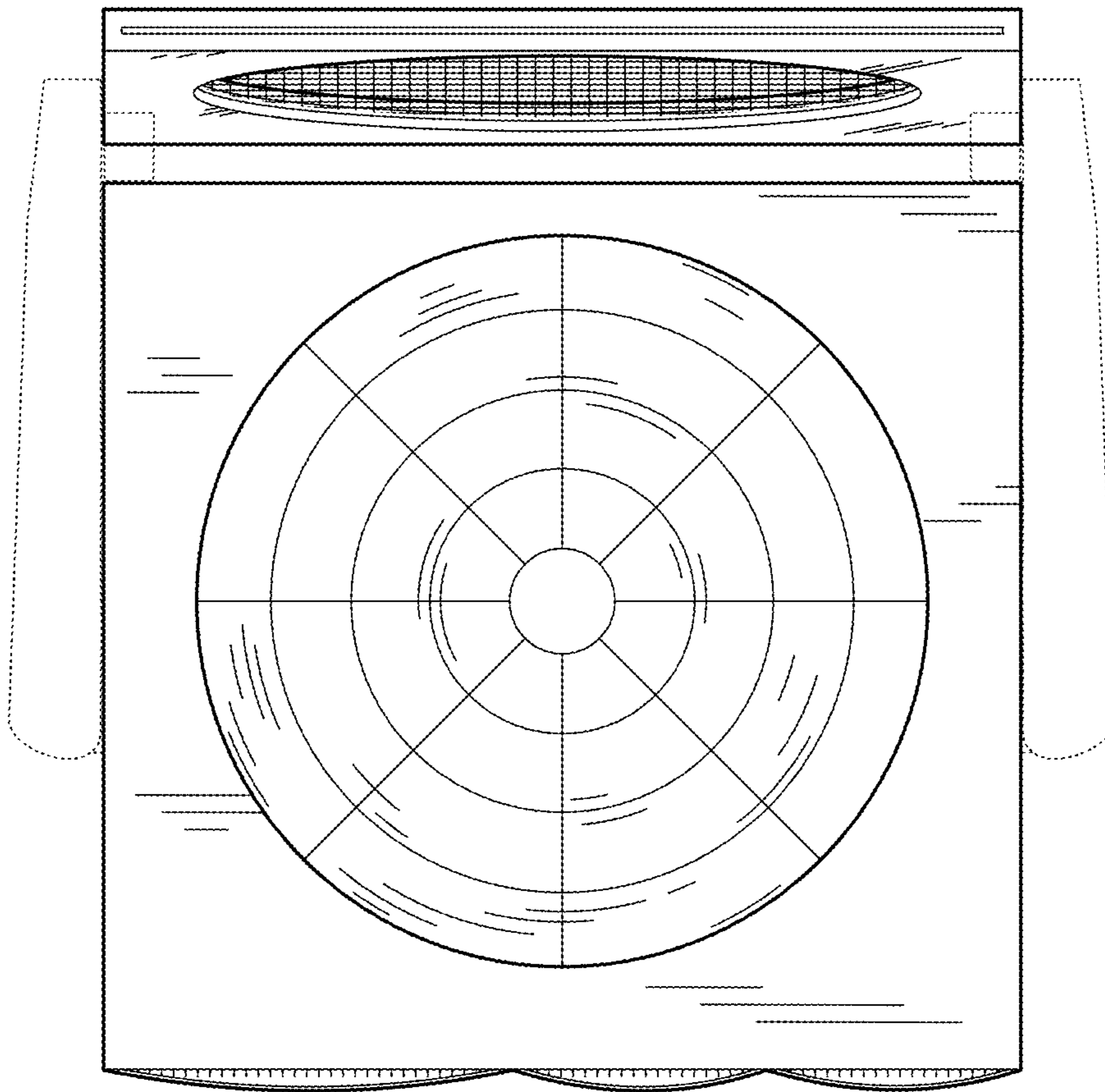
**FIG. 3**



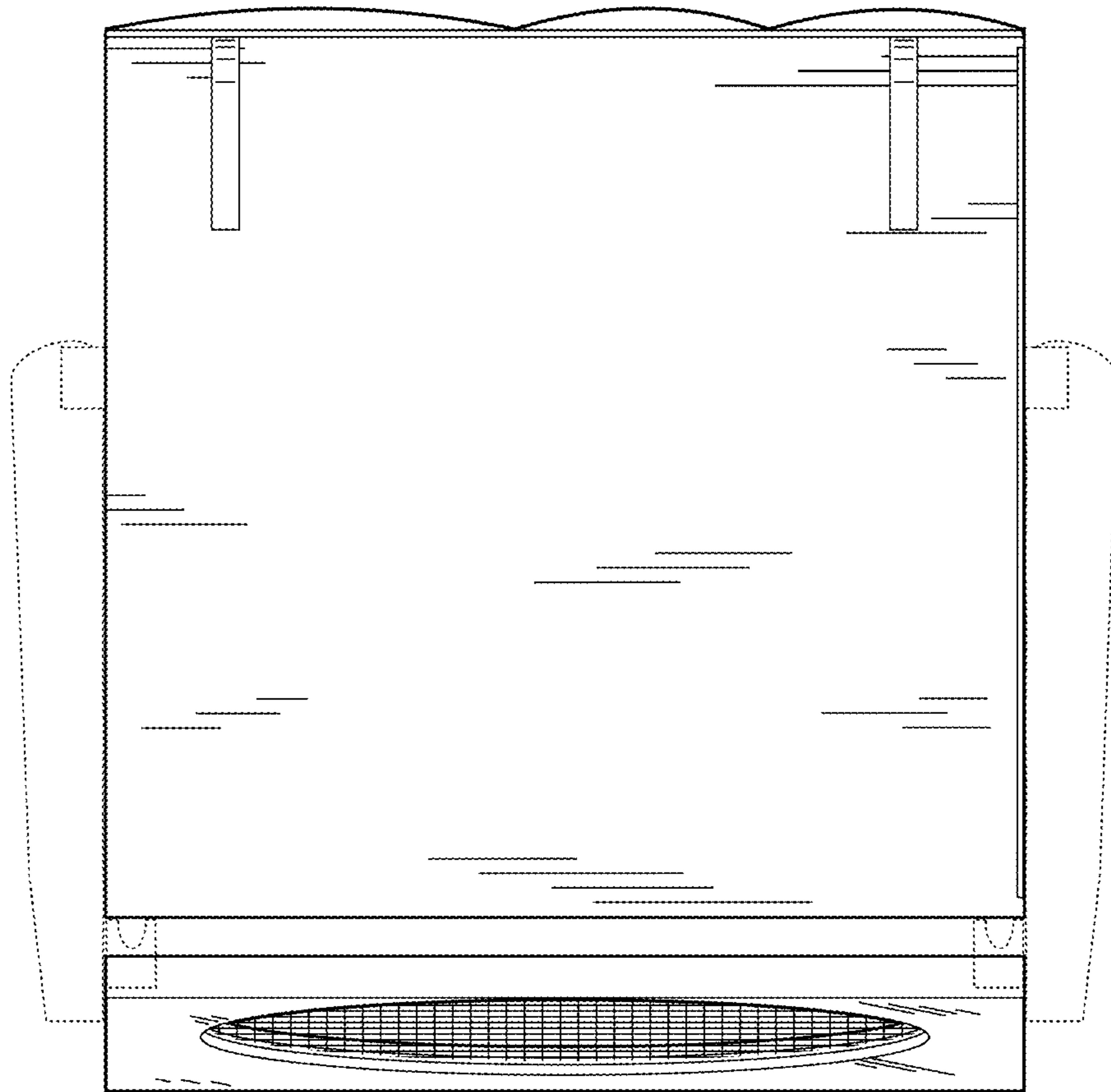
**FIG. 4**



**FIG. 5**



**FIG. 6**



**FIG. 7**