



US00D773838S

(12) **United States Design Patent** (10) **Patent No.:** **US D773,838 S**  
**Ejvinsson et al.** (45) **Date of Patent:** **\*\* Dec. 13, 2016**

(54) **BABY BOUNCER SEAT**

(56) **References Cited**

(71) Applicant: **BABYBJÖRN AB**, Solna (SE)

U.S. PATENT DOCUMENTS

(72) Inventors: **Peter Ejvinsson**, Stockholm (SE);  
**Ulrika Vejbrink**, Hägersten (SE); **Kim de Bruin Lyckman**, Bagarmossen (SE);  
**Thomas Aleblad**, Stockholm (SE)

3,235,306 A \* 2/1966 Chernivsky ..... A47D 1/006  
297/275  
3,890,660 A \* 6/1975 Pedler ..... A47D 13/102  
297/274  
5,203,611 A \* 4/1993 Greenwood ..... A47D 13/107  
297/275  
5,269,591 A \* 12/1993 Miga, Jr. .... A47D 13/107  
297/16.1  
5,503,458 A \* 4/1996 Petrie ..... A47D 1/002  
297/16.1  
D692,680 S \* 11/2013 Bergkvist ..... D6/344

(\*\*) Term: **15 Years**

(21) Appl. No.: **35/500,482**

(22) Filed: **Jul. 10, 2015**

\* cited by examiner

(80) **Hague Agreement Data**

*Primary Examiner* — Mary Ann Calabrese

Int. Filing Date: **Jul. 10, 2015**

Int. Reg. No.: **DM/086974**

Int. Reg. Date: **Jul. 10, 2015**

Int. Reg. Pub. Date: **Jan. 15, 2016**

(57) **CLAIM**

The ornamental design for a baby bouncer seat, as shown and described.

(30) **Foreign Application Priority Data**

**DESCRIPTION**

Mar. 12, 2015 (EM) ..... 002651463-0001

(51) **LOC (10) Cl.** ..... **06-01**

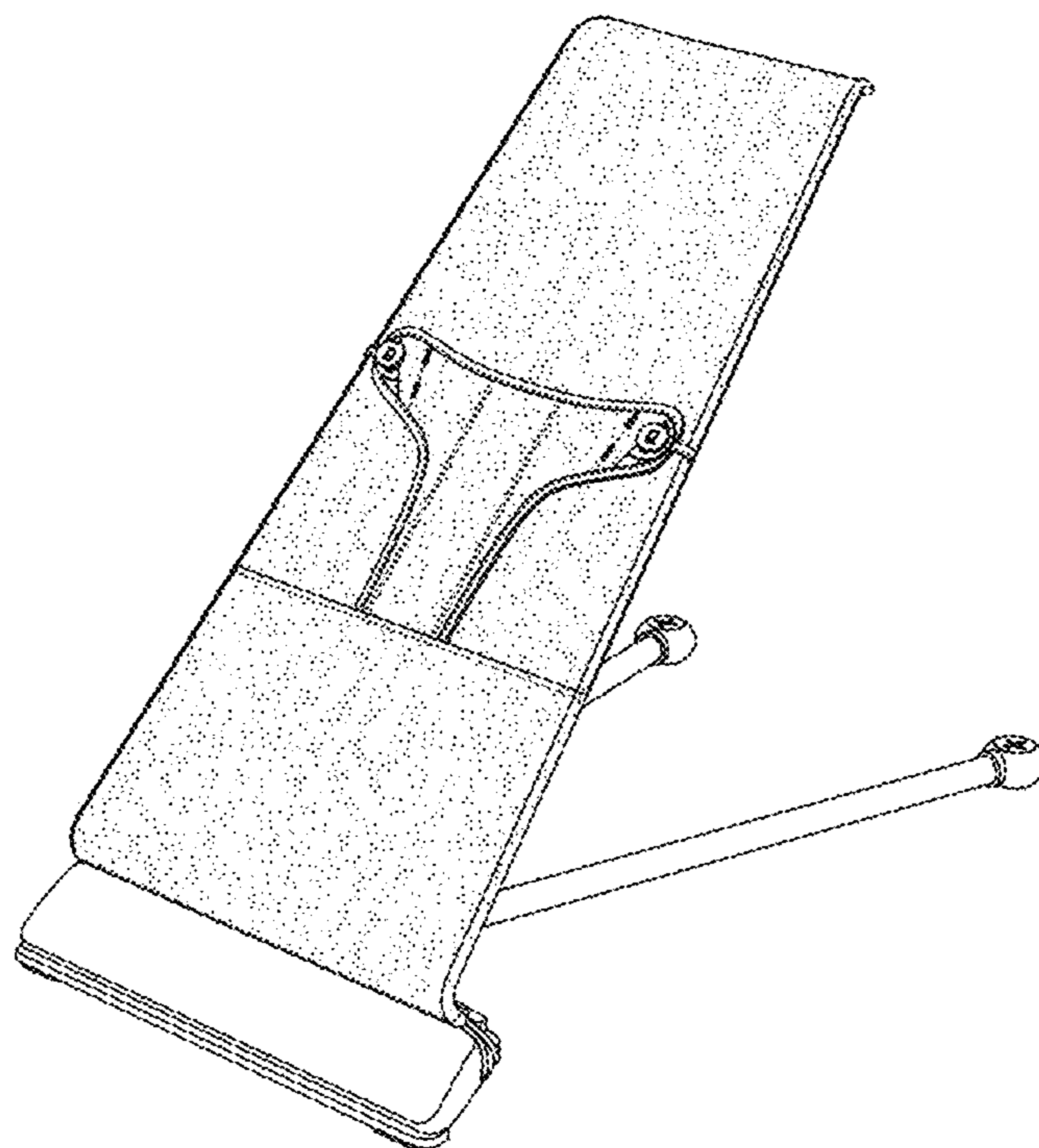
(52) **U.S. Cl.**  
USPC ..... **D6/344**

(58) **Field of Classification Search**  
USPC ..... D6/333-335, 344, 347, 348  
CPC ..... A47D 1/00; A47D 1/002; A47D 1/006;  
A47D 13/00; A47D 13/102; A47D 13/107  
See application file for complete search history.

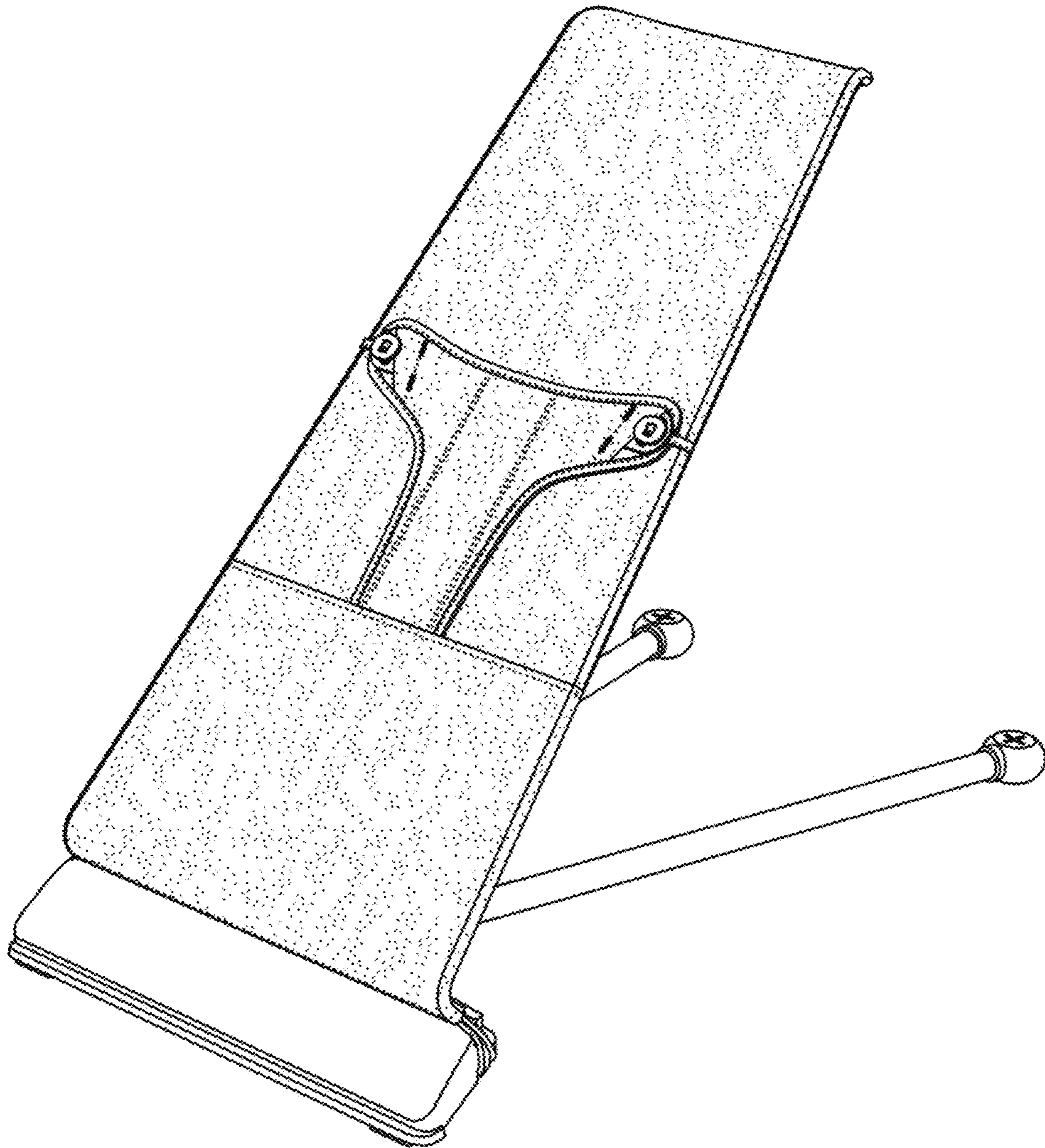
- 1. Baby bouncer seat
- 1.1 : Front Perspective
- 1.2 : Back Perspective
- 1.3 : Front
- 1.4 : Back
- 1.5 : Top
- 1.6 : Bottom
- 1.7 : Right

In the drawings, the broken lines represent stitching.

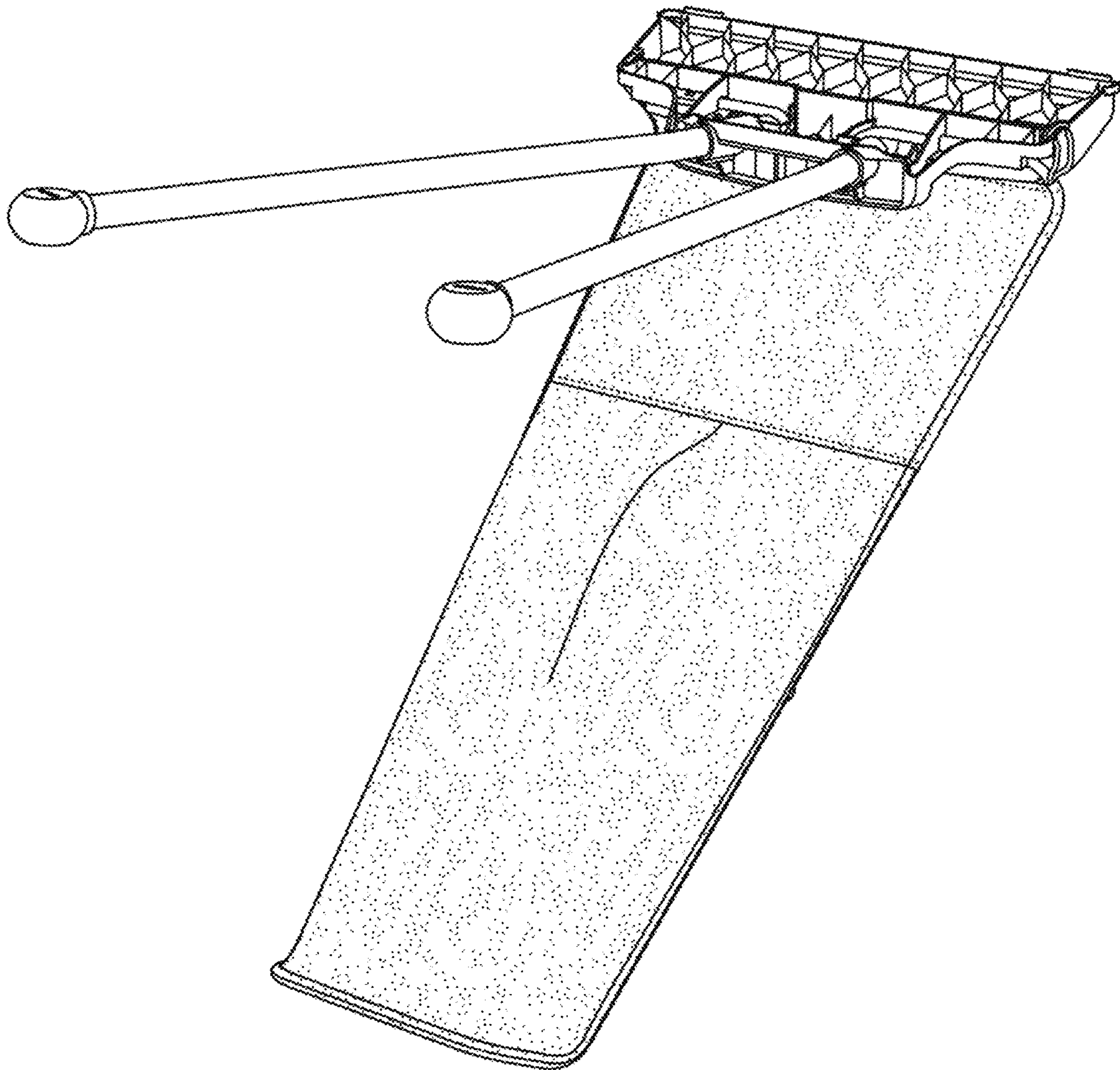
**1 Claim, 7 Drawing Sheets**



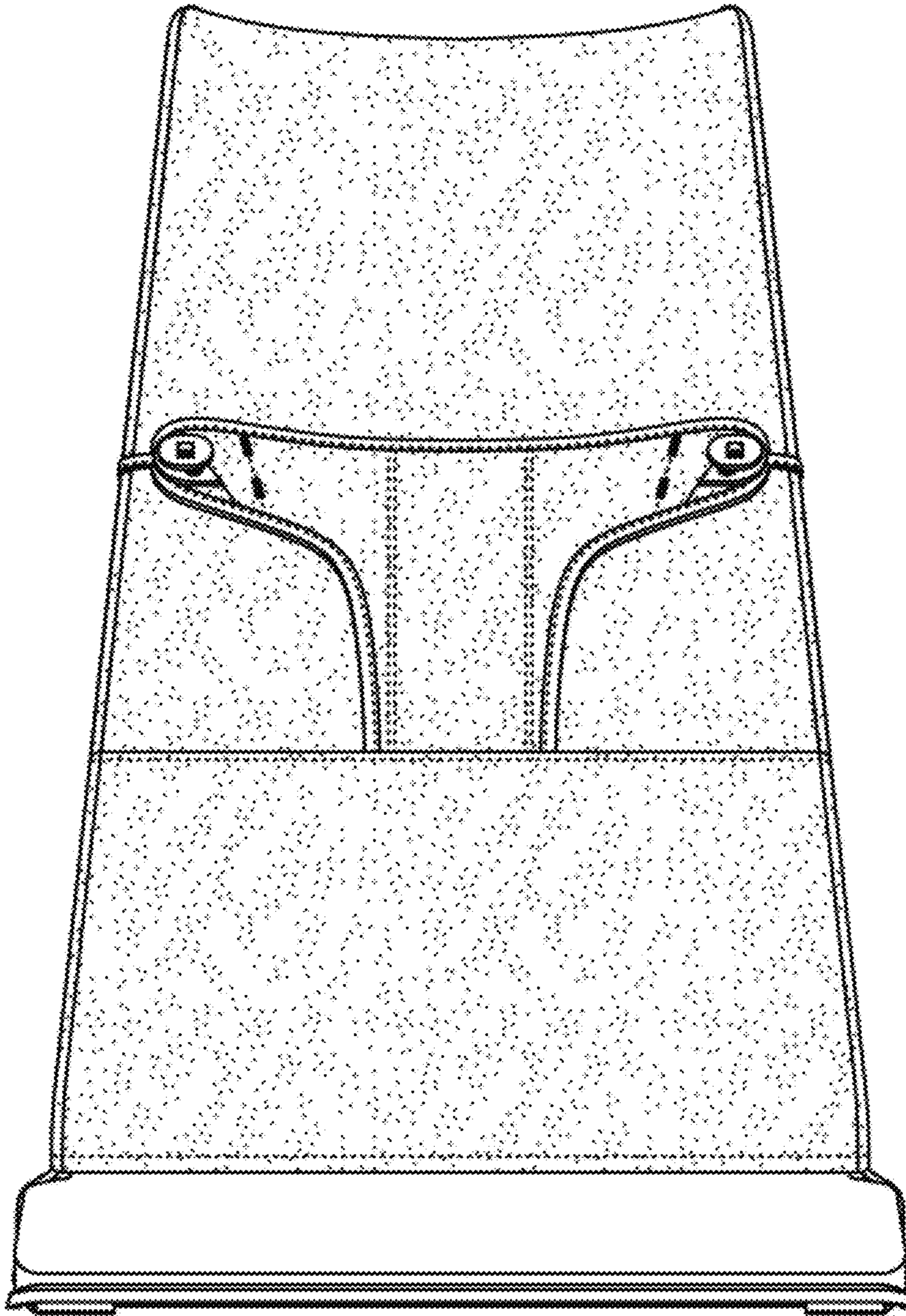
1.1



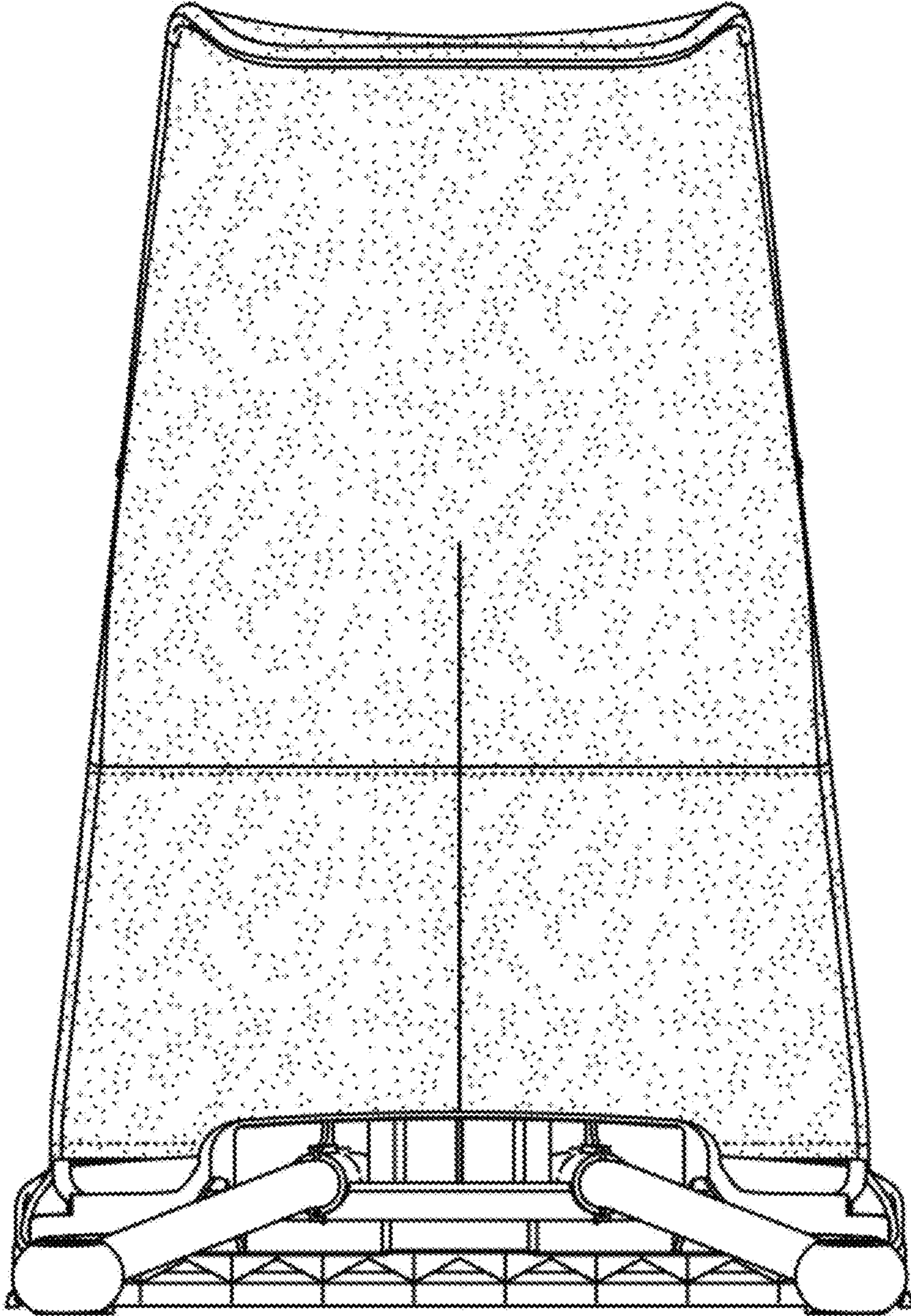
1.2



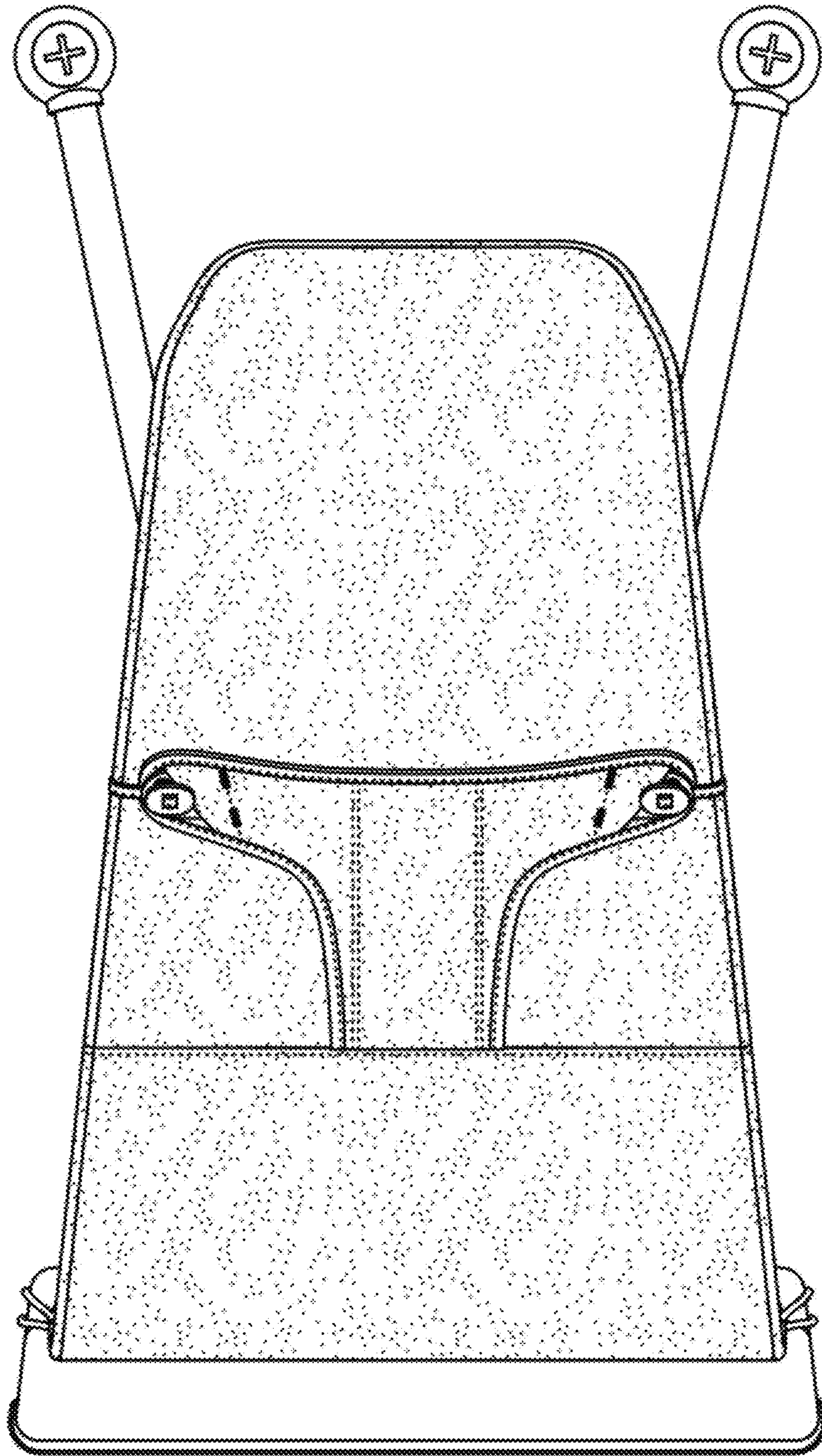
1.3



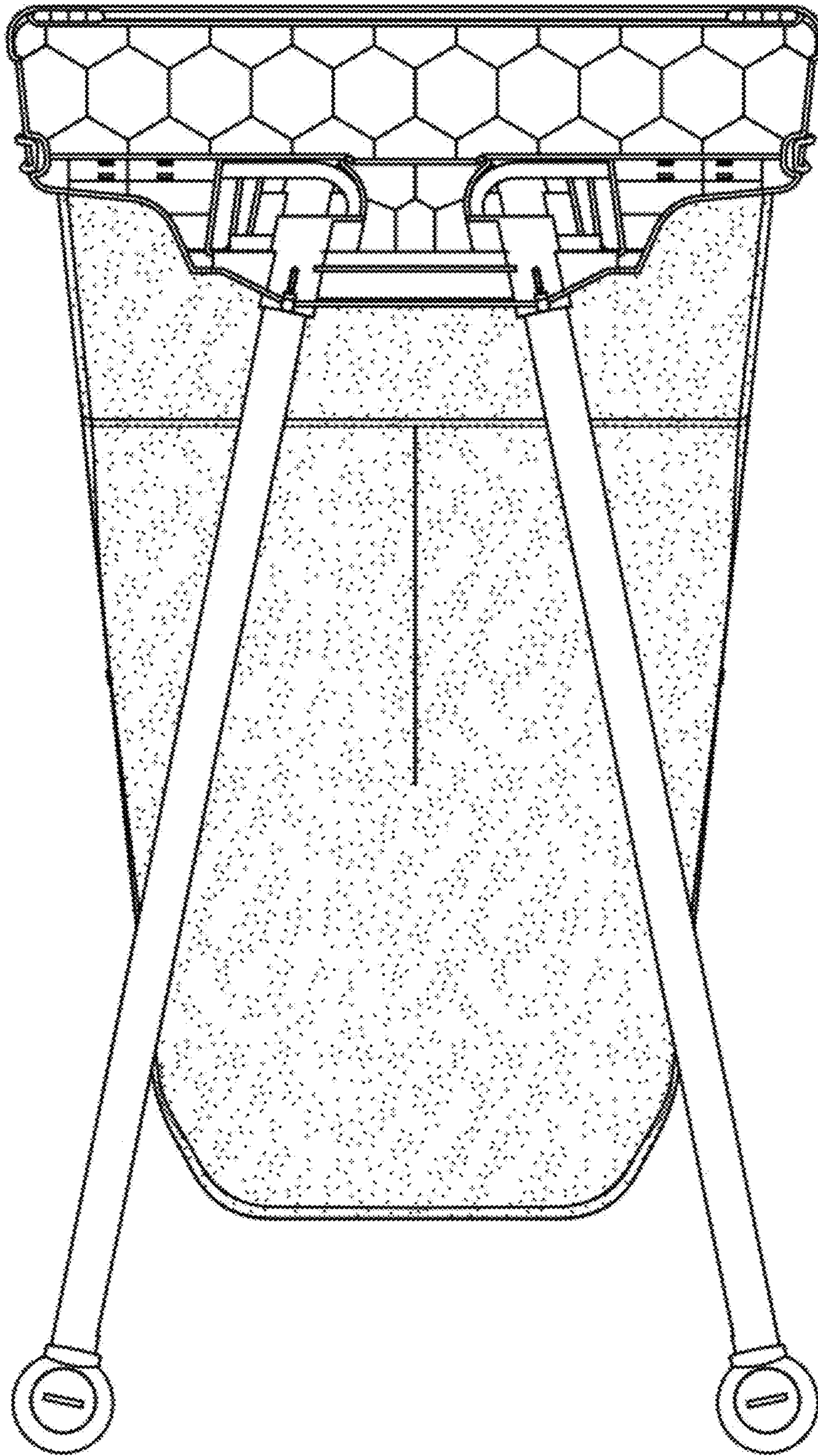
1.4



1.5



1.6



1.7

