

US00D773836S

(12) **United States Design Patent** (10) **Patent No.:** **US D773,836 S**
Eads (45) **Date of Patent:** **** Dec. 13, 2016**

(54) **ROBE HOOK**
(71) Applicant: **DELTA FAUCET COMPANY,**
Indianapolis, IN (US)
(72) Inventor: **Thad Eads,** North Manchester, IN (US)
(73) Assignee: **DELTA FAUCET COMPANY,**
Indianapolis, IN (US)
(**) Term: **15 Years**

D267,453 S * 1/1983 Kipperman D6/526
D283,786 S * 5/1986 Chap D6/572
D300,406 S * 3/1989 Bordian 248/304
D306,133 S * 2/1990 Zupancic D8/354
D312,385 S * 11/1990 Hamann D8/367
D312,960 S * 12/1990 Embree D6/572
D424,413 S * 5/2000 Laga D8/372
D478,731 S * 8/2003 Hoernig D6/323
D498,958 S * 11/2004 Henry D6/534
D547,956 S * 8/2007 Williams D6/323
D633,372 S * 3/2011 Ayrest D8/372
2006/0022098 A1* 2/2006 De Backer A47K 1/08
248/215

(21) Appl. No.: **29/551,222**
(22) Filed: **Jan. 12, 2016**
(51) **LOC (10) Cl.** **06-08**
(52) **U.S. Cl.**
USPC **D6/323**
(58) **Field of Classification Search**
USPC D6/315-328, 548, 553, 567, 569;
223/85-98; 211/10, 13.1, 47, 48, 71.01,
211/85.2, 87.01, 96, 99, 100, 117;
248/213, 248/322, 339-341, 691, 692;
D8/367, 372, 380
CPC A47G 25/32; A47G 25/28; A47G 25/743;
A47G 25/746; A47G 29/083; A47G
25/06; A47G 25/0607; A47G
25/10; A47G 25/38; A47G 29/08; A47G
1/17; A47G 7/044; A47G 29/00
See application file for complete search history.

* cited by examiner

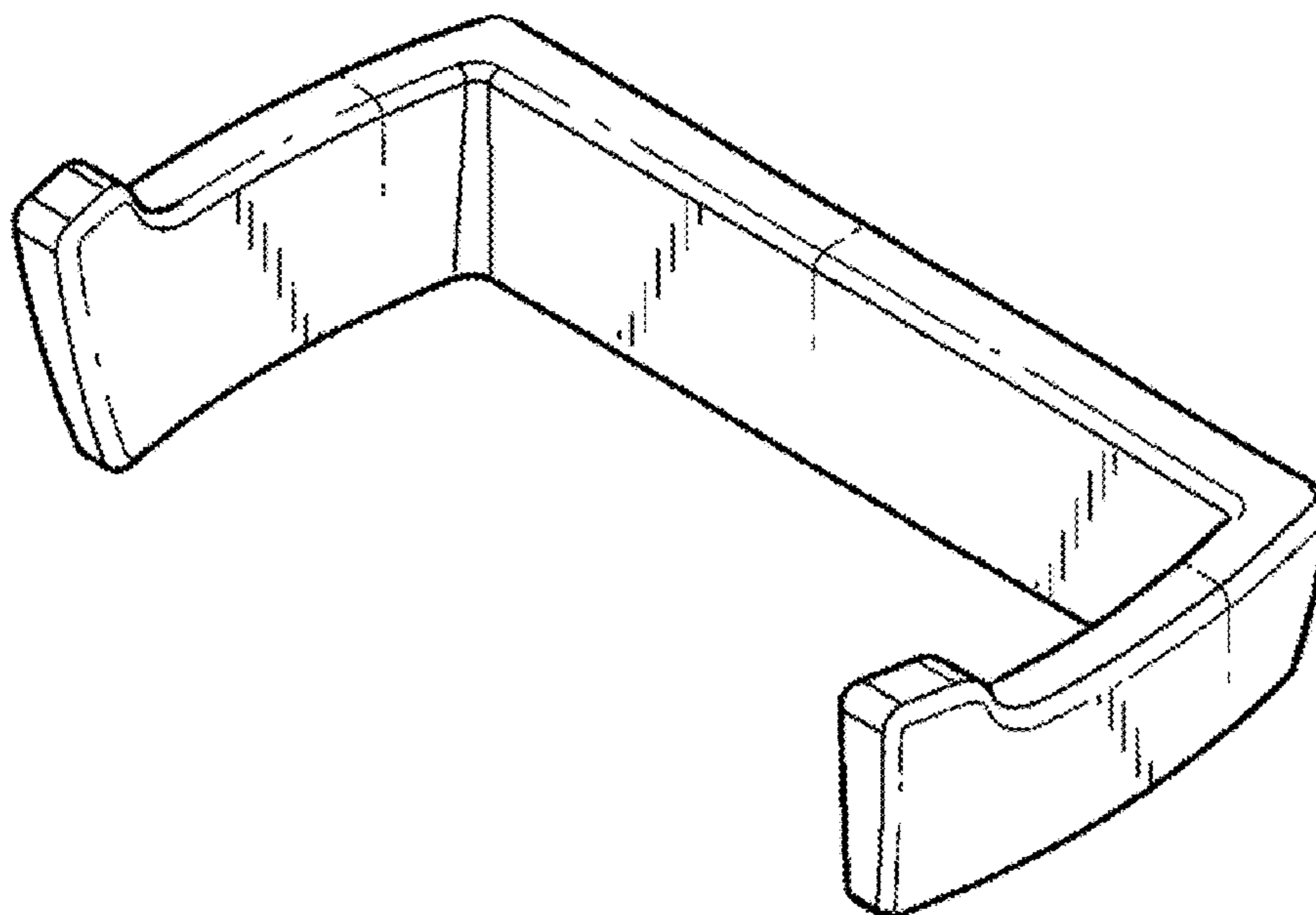
Primary Examiner — Derrick Holland
Assistant Examiner — Lauren Calve
(74) *Attorney, Agent, or Firm* — Edgar A. Zaris; Nirav D. Parikh

(56) **References Cited**
U.S. PATENT DOCUMENTS
D168,074 S * 10/1952 Symington D8/354
D195,124 S * 4/1963 Clayton D6/323
D254,881 S * 5/1980 Pyskaty D6/526

(57) **CLAIM**
The ornamental design for a robe hook, as shown and described.

DESCRIPTION
FIG. 1 is a perspective view of a robe hook showing my new design;
FIG. 2 is a top plan view thereof;
FIG. 3 is a front elevational view thereof;
FIG. 4 is a bottom plan view thereof;
FIG. 5 is a rear view thereof; and,
FIG. 6 is a first end view thereof, the opposite end being a mirror image of the end shown.
The broken lines shown represent unclaimed subject matter and form no part of the claimed design.

1 Claim, 1 Drawing Sheet



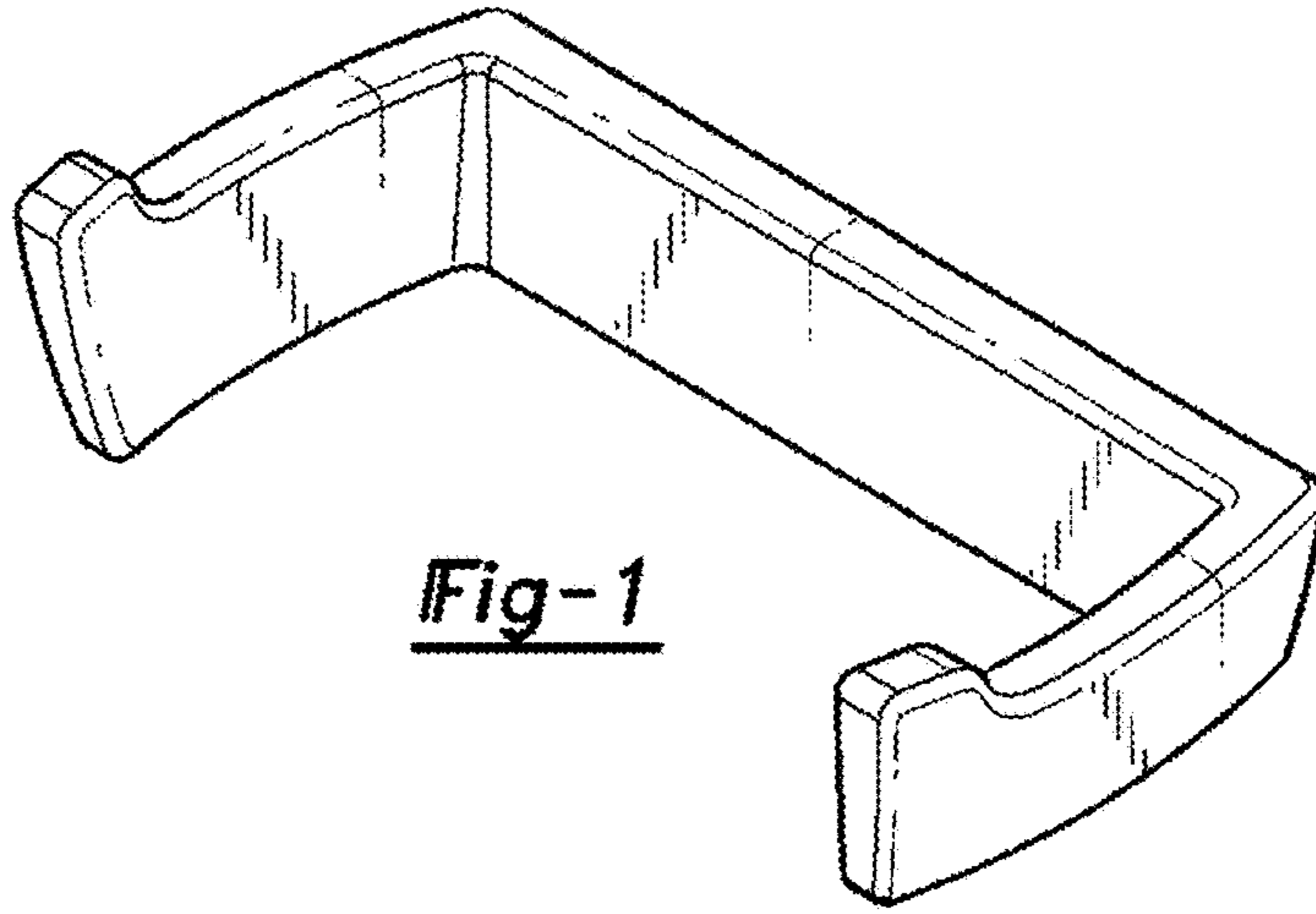


Fig-1

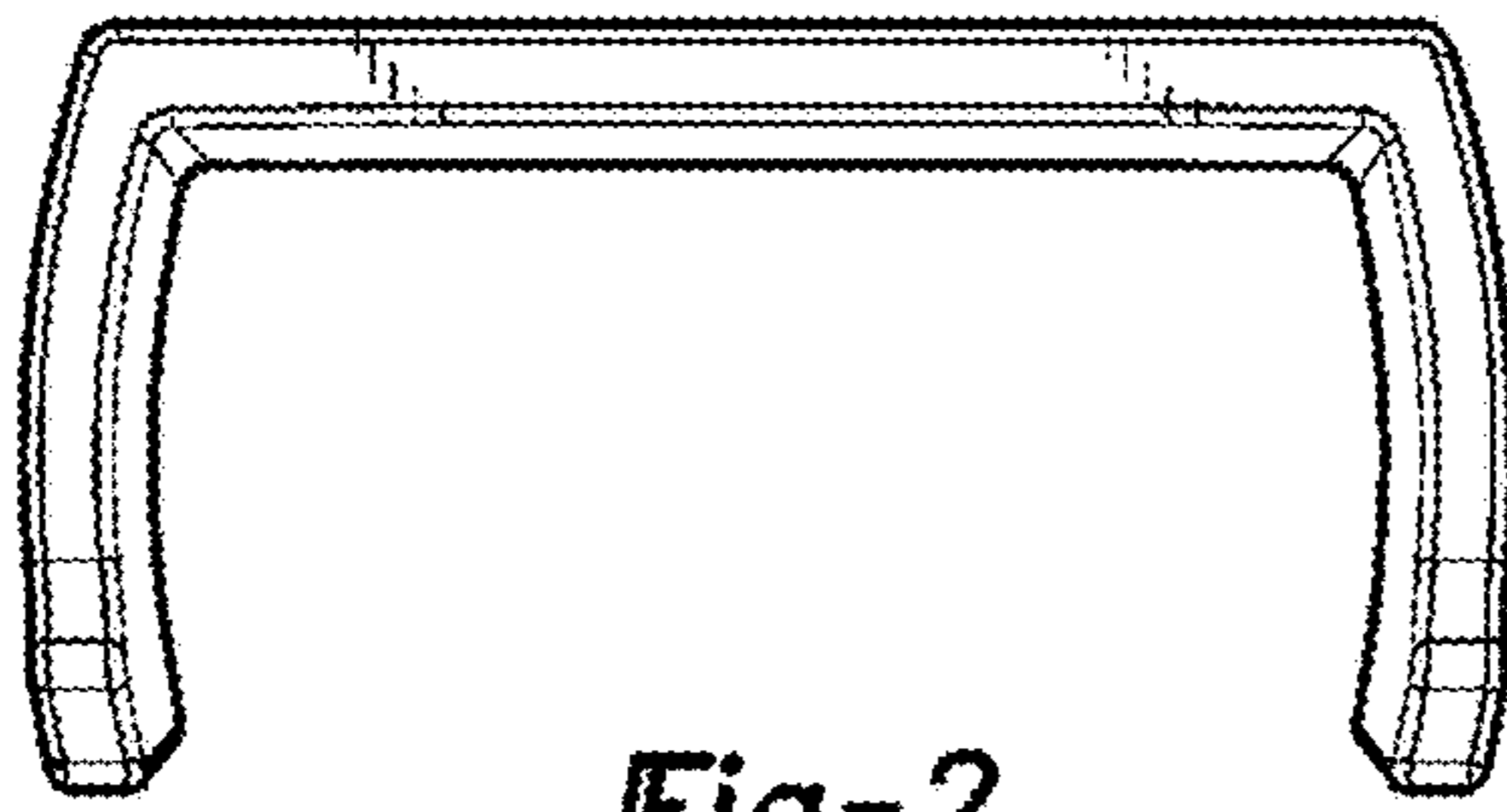


Fig-2

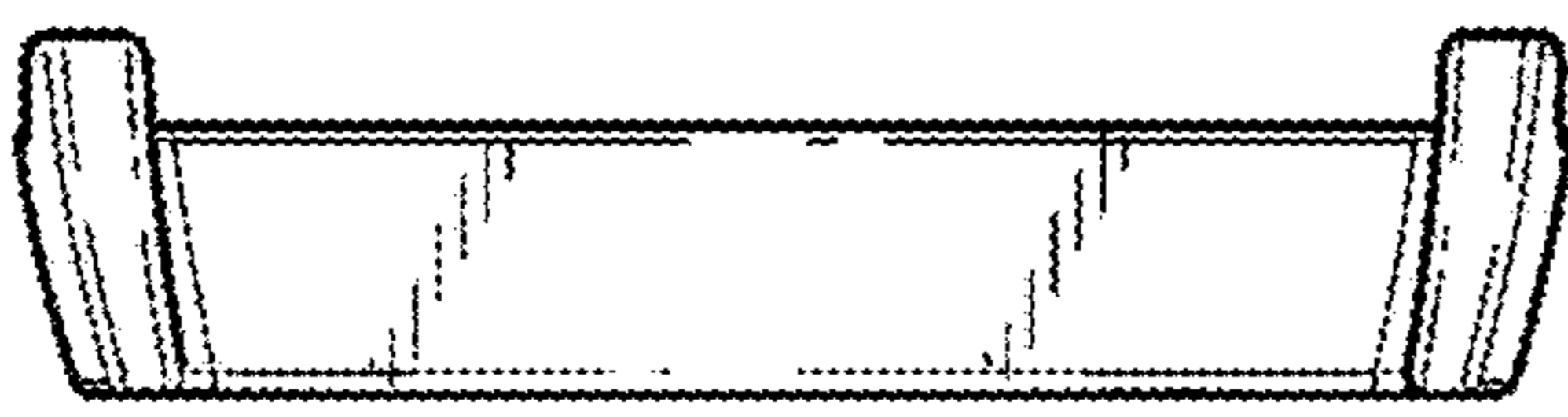


Fig-3

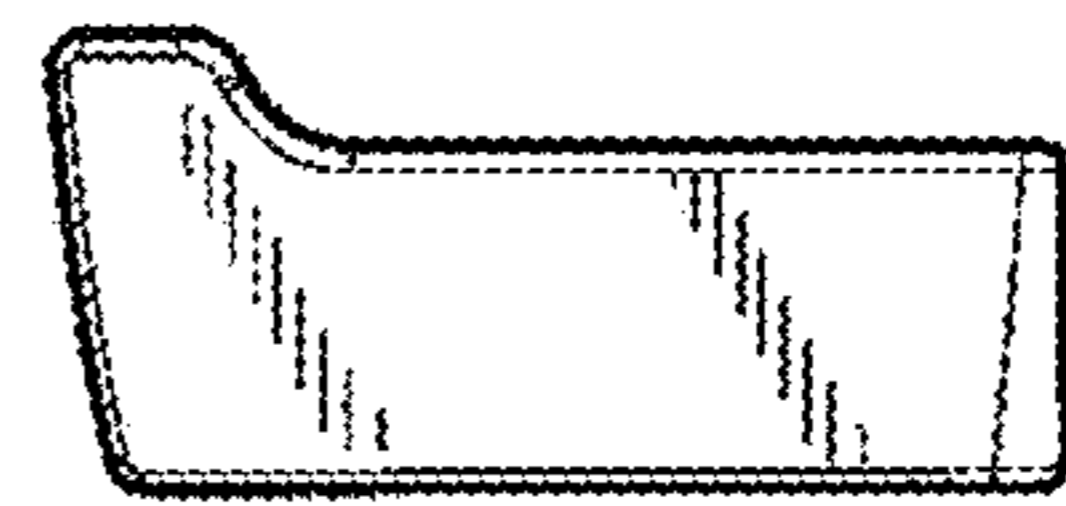


Fig-6



Fig-4

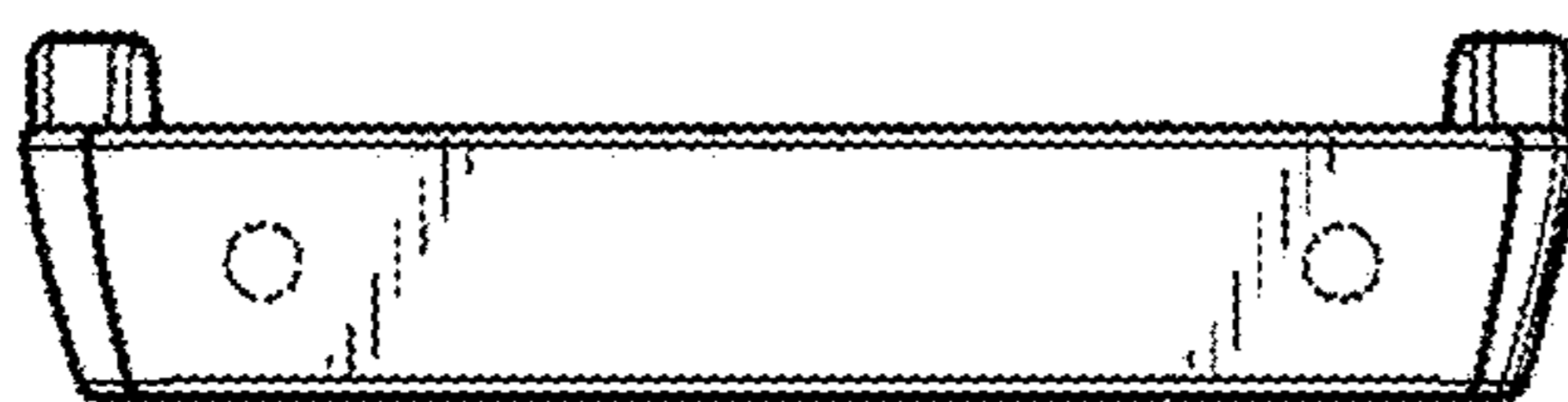


Fig-5