



US00D773830S

(12) **United States Design Patent** (10) **Patent No.:** **US D773,830 S**
Lambertson, Jr. et al. (45) **Date of Patent:** **** Dec. 13, 2016**

(54) **COATING APPLICATOR HANDLE** 4,494,268 A * 1/1985 Chu A46B 7/04
15/176.1

(71) Applicant: **The Sherwin Williams Company,** D333,217 S * 2/1993 Gingras D4/132
Cleveland, OH (US) D366,150 S * 1/1996 Suchomel D4/116
D466,699 S * 12/2002 Vaes D4/138
D575,066 S * 8/2008 Waksman D4/138
D681,343 S * 5/2013 Arvinte D4/138
8,651,047 B1 * 2/2014 Uri B05B 15/04
118/504

(72) Inventors: **Michael C. Lambertson, Jr.,** 8,668,085 B1 * 3/2014 Oliver A46B 17/04
Cleveland, OH (US); **William**
Pavilonis, Cleveland, OH (US); **Reid**
C. Parks, Cleveland, OH (US)

(73) Assignee: **The Sherwin-Williams Company,** 2003/0005533 A1 * 1/2003 Woodnorth A46B 5/02
Cleveland, OH (US) 15/143.1
2004/0163193 A1 * 8/2004 Stafford A46B 15/0055
15/105

(**) Term: **15 Years** 2006/0218737 A1 * 10/2006 Minelli A46B 3/02
15/143.1

(21) Appl. No.: **29/542,399** 2014/0075693 A1 * 3/2014 Maslow A46B 5/02
15/145

(Continued)

(22) Filed: **Oct. 14, 2015**

(51) **LOC (10) Cl.** **04-04**

(52) **U.S. Cl.**
USPC **D4/138**

(58) **Field of Classification Search**
USPC D4/100, 101, 102, 104, 108-111, 127,
D4/128, 132-136, 138, 199; D19/100,
D19/108, 115, 125; D28/56, 57, 59
CPC A46B 2200/1046; A46B 2200/1053;
A46B 2200/20; A46B 2200/202; A46B
2200/205; A46B 2200/207
See application file for complete search history.

(56) **References Cited**

U.S. PATENT DOCUMENTS

1,826,165 A * 10/1931 Cartwright A46B 5/02
15/143.1

2,532,780 A * 12/1950 Pettengill A46B 3/12
15/143.1

3,023,439 A * 3/1962 Danley A46B 15/00
15/143.1

D216,247 S * 12/1969 McGuire D4/135

D273,636 S * 5/1984 Chu D4/138

Primary Examiner — Susan E Krakower
Assistant Examiner — Lisa A Grabenstetter
(74) *Attorney, Agent, or Firm* — Daniel A. Sherwin;
James C. Scott; Vivien Y. Tsang

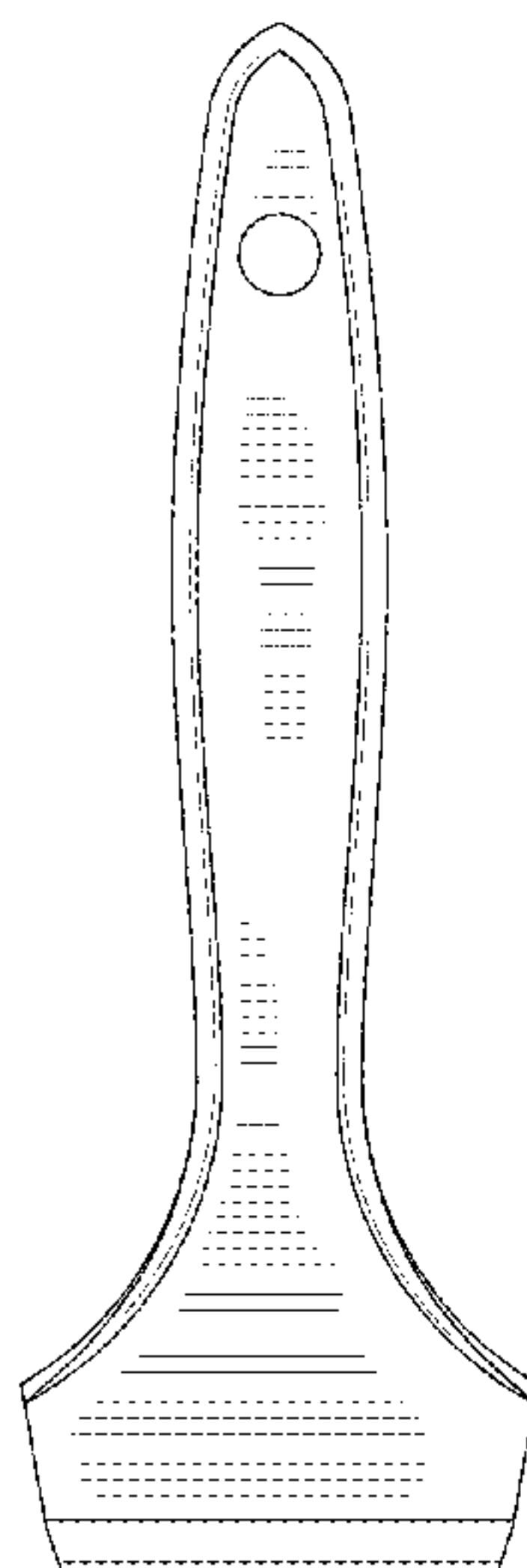
(57) **CLAIM**

The ornamental design for a coating applicator handle, as shown and described.

DESCRIPTION

FIG. 1 is a front view of a coating applicator handle showing our new design;
FIG. 2 is a side view thereof;
FIG. 3 is a top perspective view thereof;
FIG. 4 is a side perspective view thereof; and,
FIG. 5 is a partial view taken from the circle in FIG. 4, shown enlarged for clarity.
The dot-dash broken lines in FIGS. 4 and 5 are included to show enlarged views only and form no part of the claimed design.

1 Claim, 2 Drawing Sheets



(56)

References Cited

U.S. PATENT DOCUMENTS

2014/0259489 A1* 9/2014 Dale A46B 9/028
15/207.2

* cited by examiner

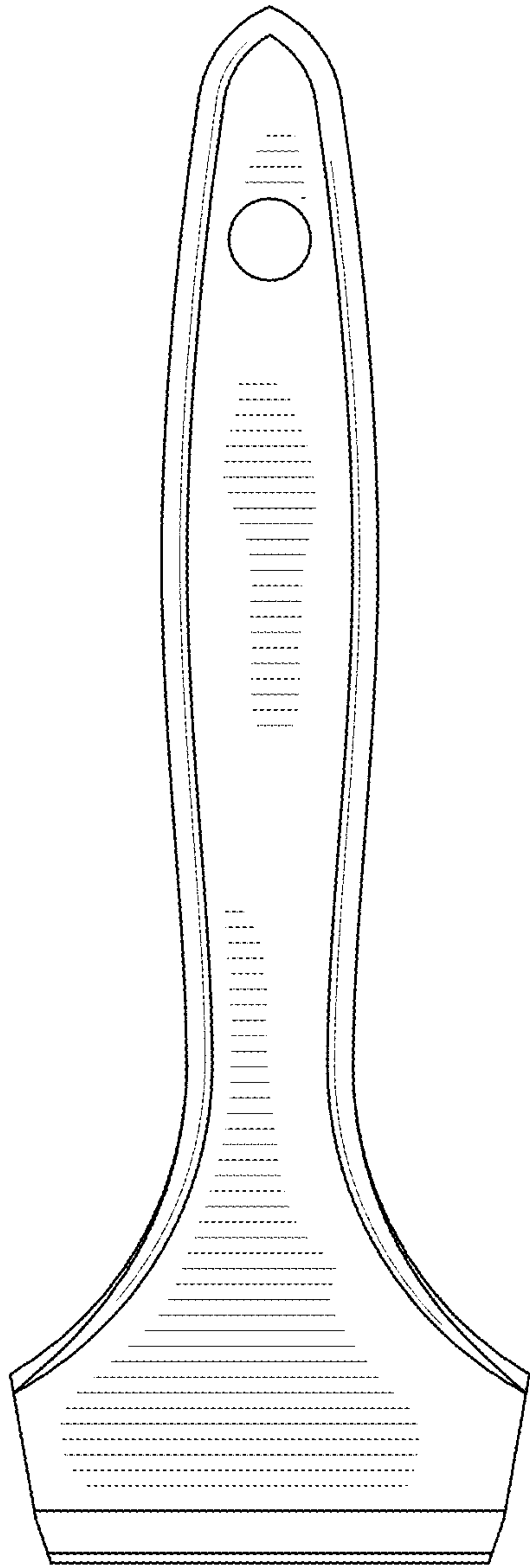


FIG. 1

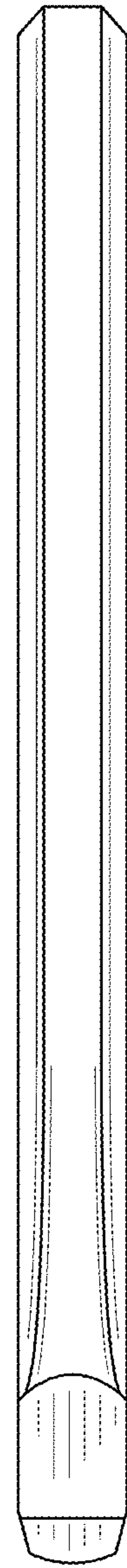


FIG. 2

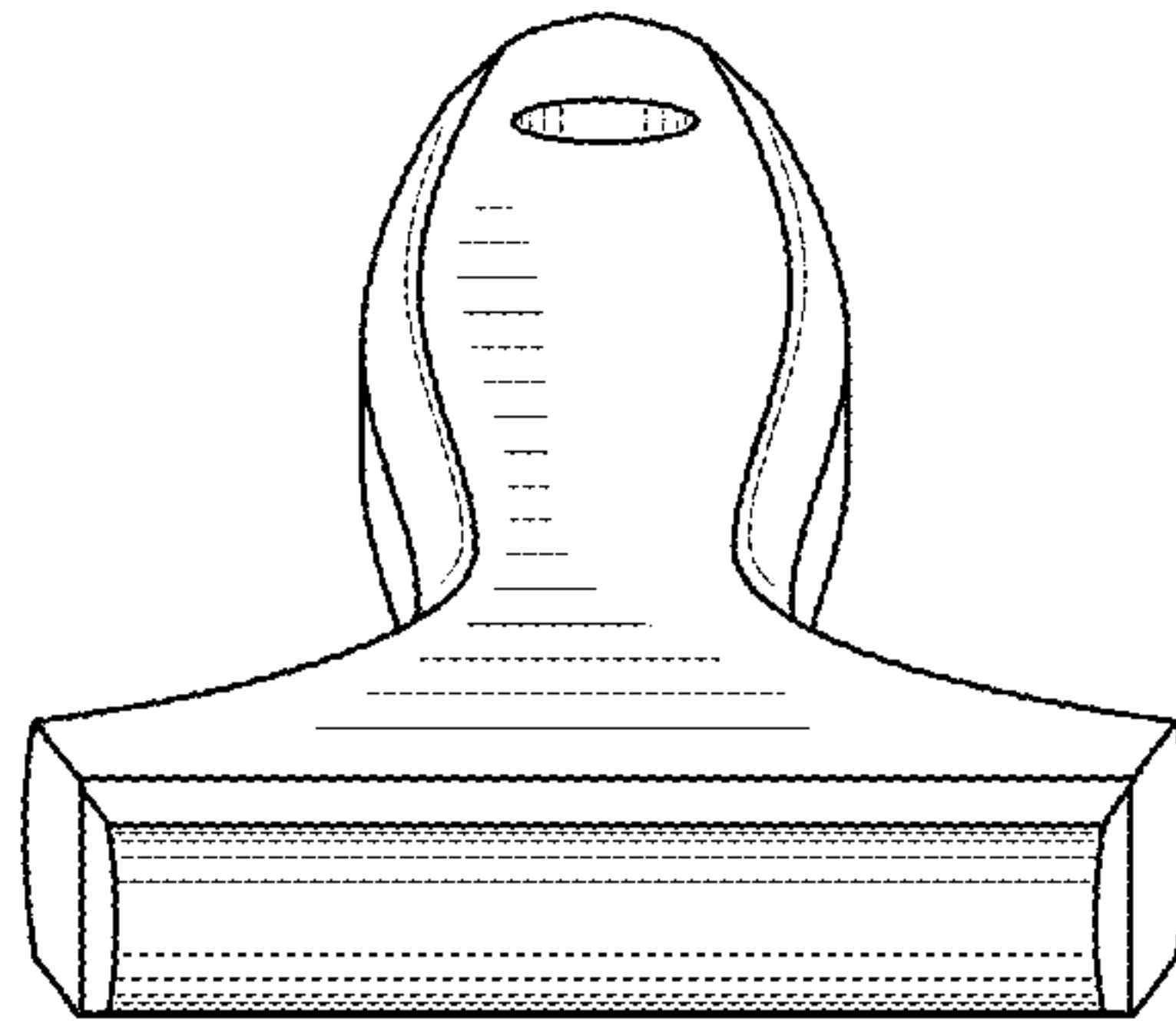


FIG. 3

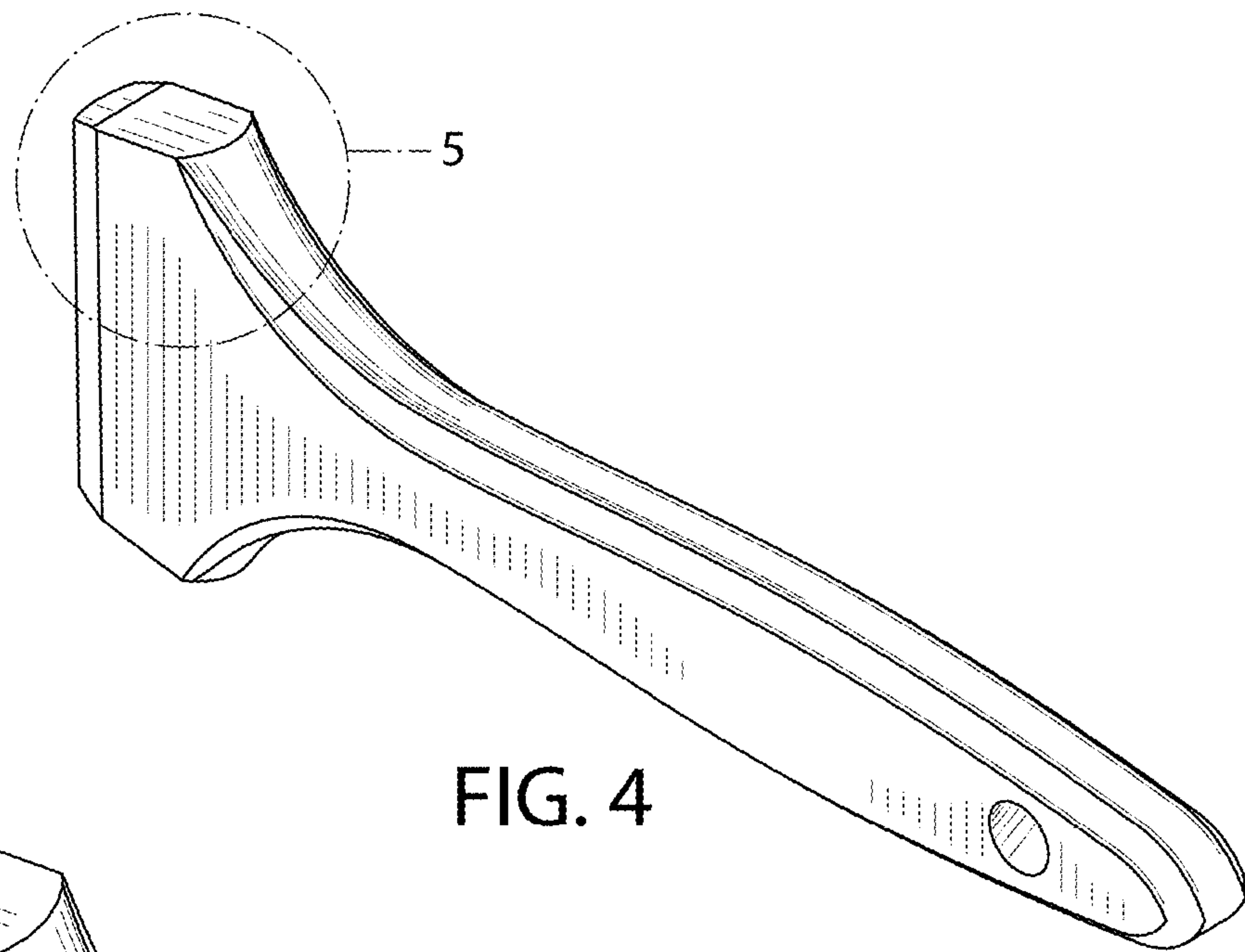


FIG. 4

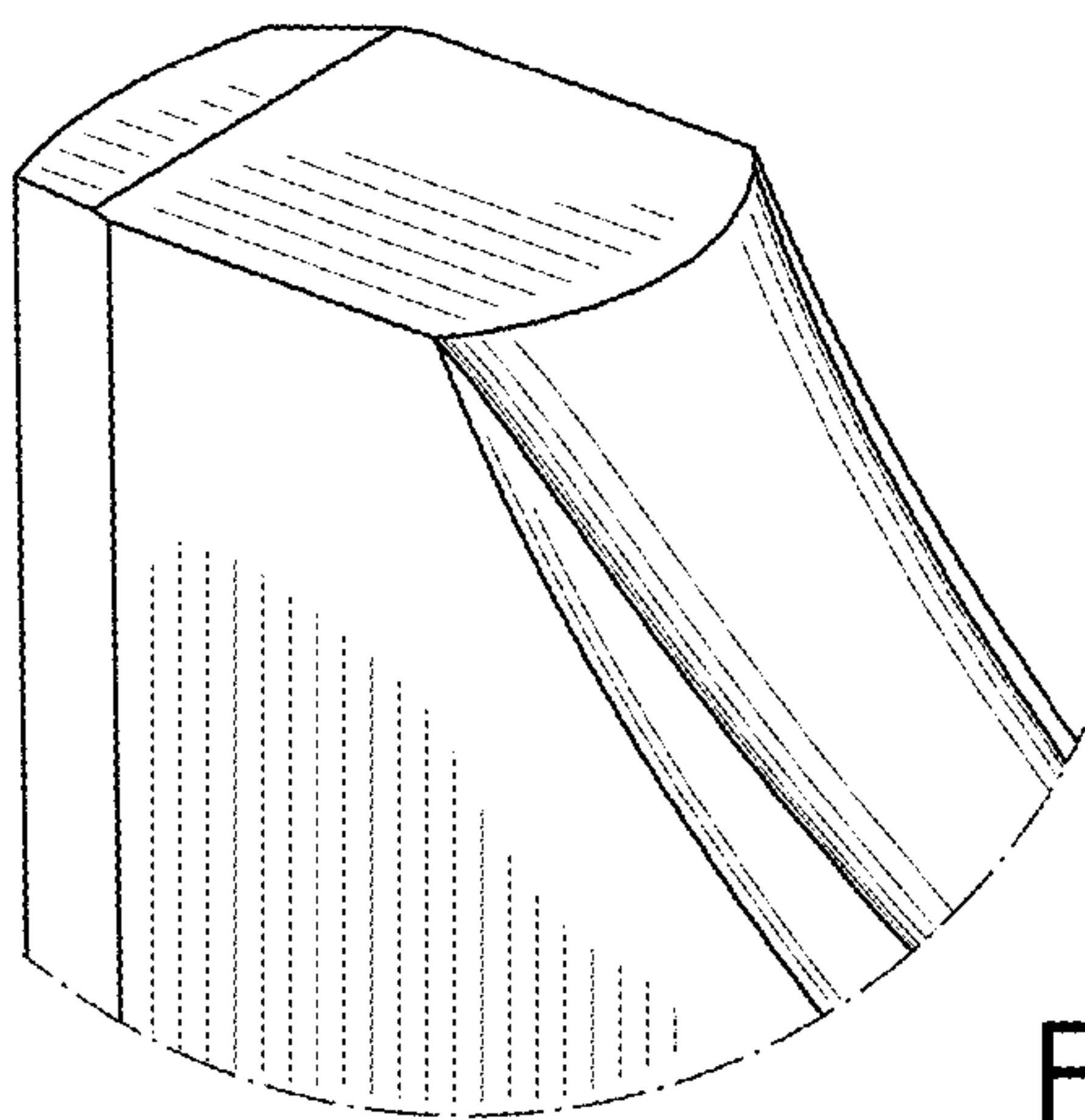


FIG. 5