



US00D773829S

(12) **United States Design Patent** (10) **Patent No.:** **US D773,829 S**  
**Lambertson, Jr. et al.** (45) **Date of Patent:** **\*\* Dec. 13, 2016**

(54) **COATING APPLICATOR HANDLE** 4,494,268 A \* 1/1985 Chu ..... A46B 7/04  
15/176.1

(71) Applicant: **The Sherwin Williams Company,** D333,217 S \* 2/1993 Gingras ..... D4/132  
Cleveland, OH (US) D366,150 S \* 1/1996 Suchomel ..... D4/116  
D466,699 S \* 12/2002 Vaes ..... D4/138

(72) Inventors: **Michael C. Lambertson, Jr.,** D575,066 S \* 8/2008 Waksman ..... D4/138  
Cleveland, OH (US); **William** D681,343 S \* 5/2013 Arvinte ..... D4/138  
**Pavilonis,** Cleveland, OH (US); **Reid** 8,651,047 B1 \* 2/2014 Uri ..... B05B 15/04  
**C. Parks,** Cleveland, OH (US) 8,668,085 B1 \* 3/2014 Oliver ..... A46B 17/04  
15/247

(73) Assignee: **The Sherwin-Williams Company,** 2003/0005533 A1 \* 1/2003 Woodnorth ..... A46B 5/02  
Cleveland, OH (US) 15/143.1  
2004/0163193 A1 \* 8/2004 Stafford ..... A46B 15/0055  
15/105

(\*\*) Term: **15 Years** 2006/0218737 A1 \* 10/2006 Minelli ..... A46B 3/02  
15/143.1

(21) Appl. No.: **29/542,398** 2010/0199449 A1 \* 8/2010 Ho ..... A46B 3/005  
15/207.2

(Continued)

(22) Filed: **Oct. 14, 2015**

(51) **LOC (10) Cl.** ..... **04-04**

(52) **U.S. Cl.**  
USPC ..... **D4/138**

(58) **Field of Classification Search**  
USPC ..... D4/100, 101, 102, 104, 108-111, 127,  
D4/128, 132-136, 138, 199; D19/100,  
D19/108, 115, 125; D28/56, 57, 59  
CPC ..... A46B 2200/1046; A46B 2200/1053;  
A46B 2200/20; A46B 2200/202; A46B  
2200/205; A46B 2200/207  
See application file for complete search history.

(56) **References Cited**

U.S. PATENT DOCUMENTS

1,826,165 A \* 10/1931 Cartwright ..... A46B 5/02  
15/143.1

2,532,780 A \* 12/1950 Pettengill ..... A46B 3/12  
15/143.1

3,023,439 A \* 3/1962 Danley ..... A46B 15/00  
15/143.1

D216,247 S \* 12/1969 McGuire ..... D4/135

D273,636 S \* 5/1984 Chu ..... D4/138

*Primary Examiner* — Susan E Krakower  
*Assistant Examiner* — Lisa A Grabenstetter  
(74) *Attorney, Agent, or Firm* — Daniel A. Sherwin;  
James C. Scott; Vivien Y. Tsang

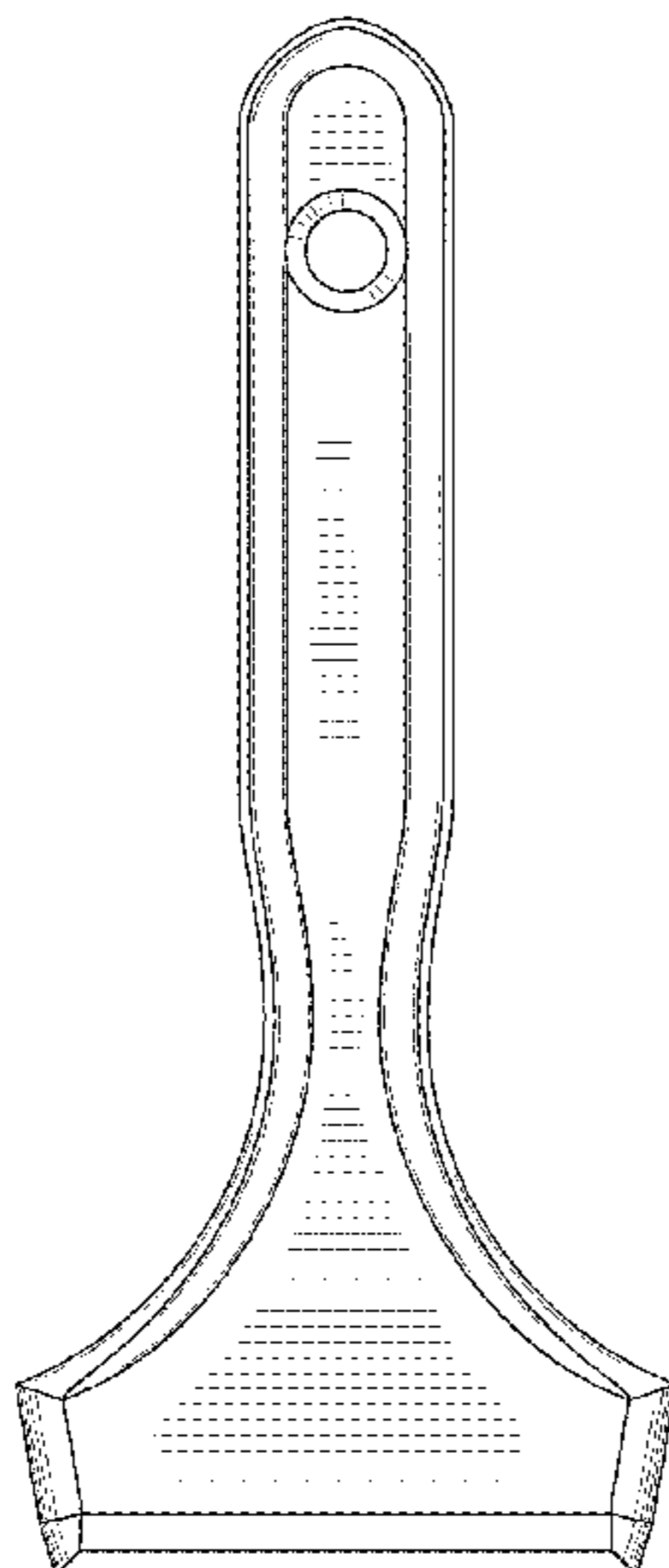
(57) **CLAIM**

The ornamental design for a coating applicator handle, as shown and described.

**DESCRIPTION**

FIG. 1 is a side view of a coating applicator handle showing our new design;  
FIG. 2 is a front view thereof;  
FIG. 3 is a top perspective view thereof;  
FIG. 4 is a side perspective view thereof; and,  
FIG. 5 is a partial view taken from the circle in FIG. 4, shown enlarged for clarity.  
The dot-dash broken lines in FIGS. 4 and 5 are included to show enlarged views only and form no part of the claimed design.

**1 Claim, 2 Drawing Sheets**



(56)

**References Cited**

U.S. PATENT DOCUMENTS

2014/0075693 A1\* 3/2014 Maslow ..... A46B 5/02  
15/145  
2014/0259489 A1\* 9/2014 Dale ..... A46B 9/028  
15/207.2

\* cited by examiner

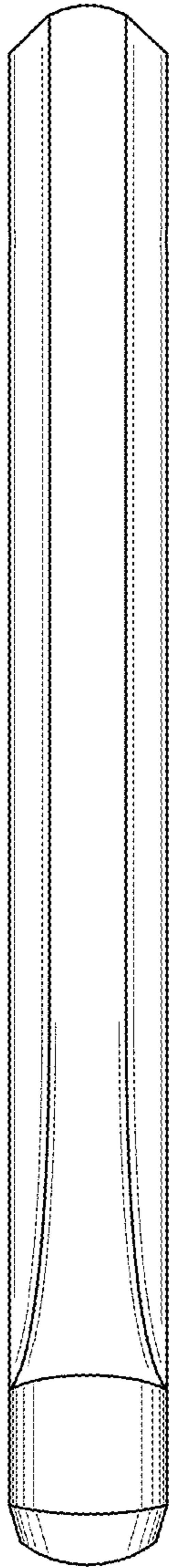


FIG. 1

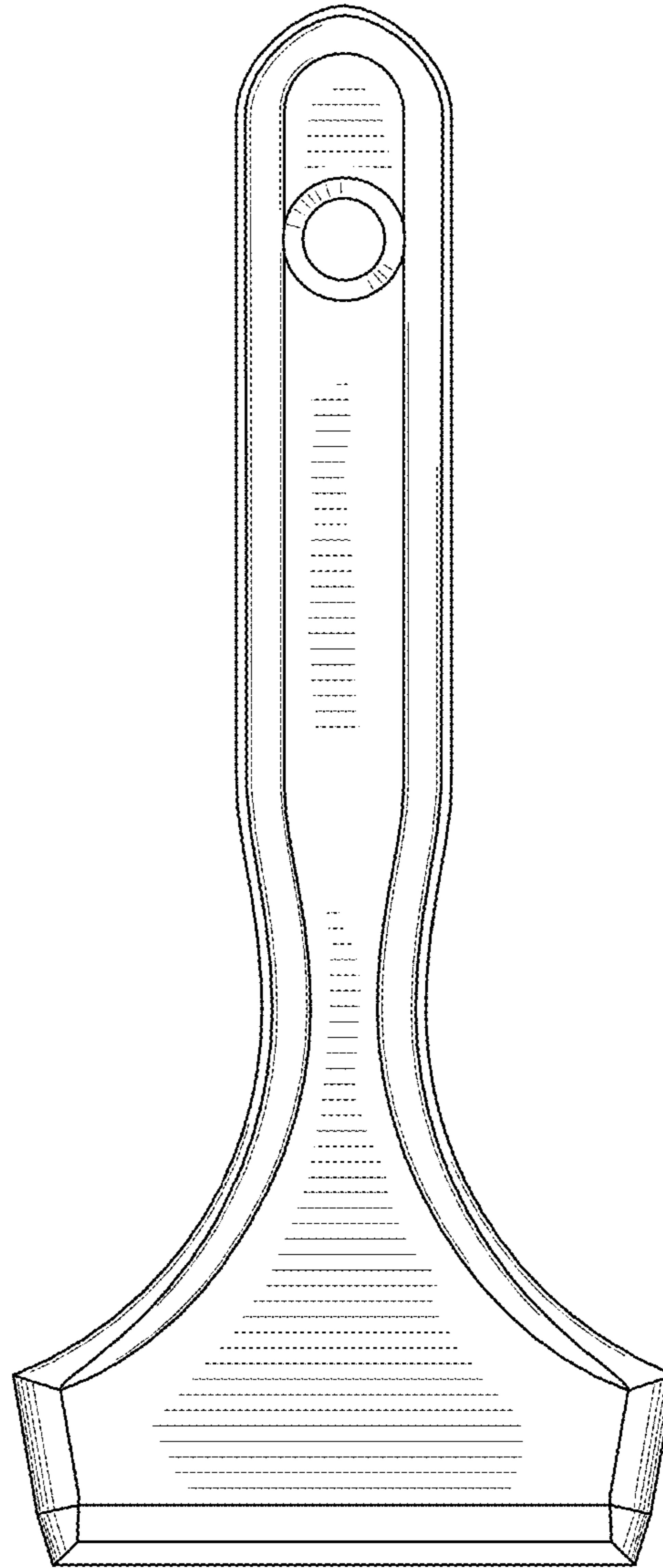


FIG. 2

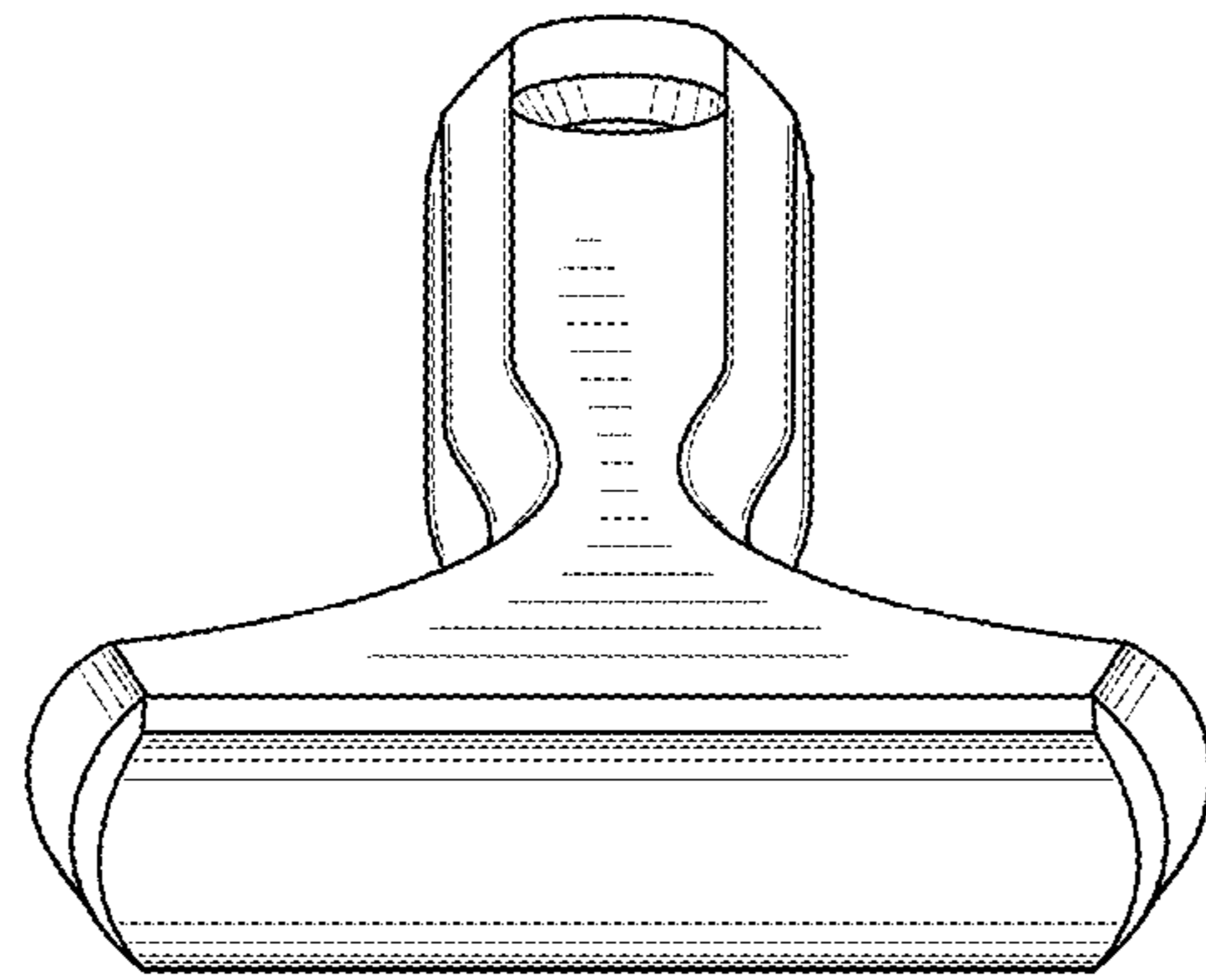


FIG. 3

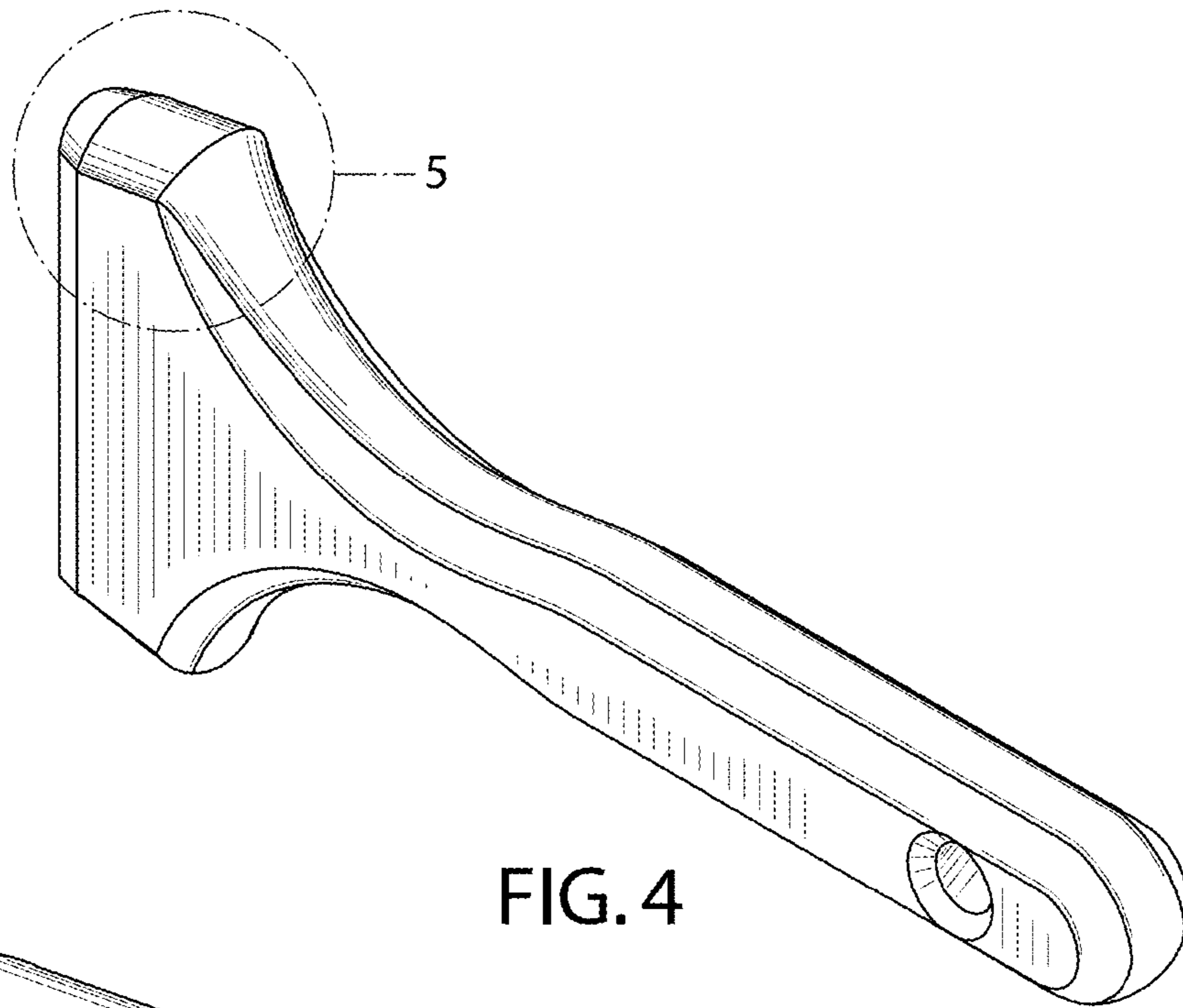


FIG. 4

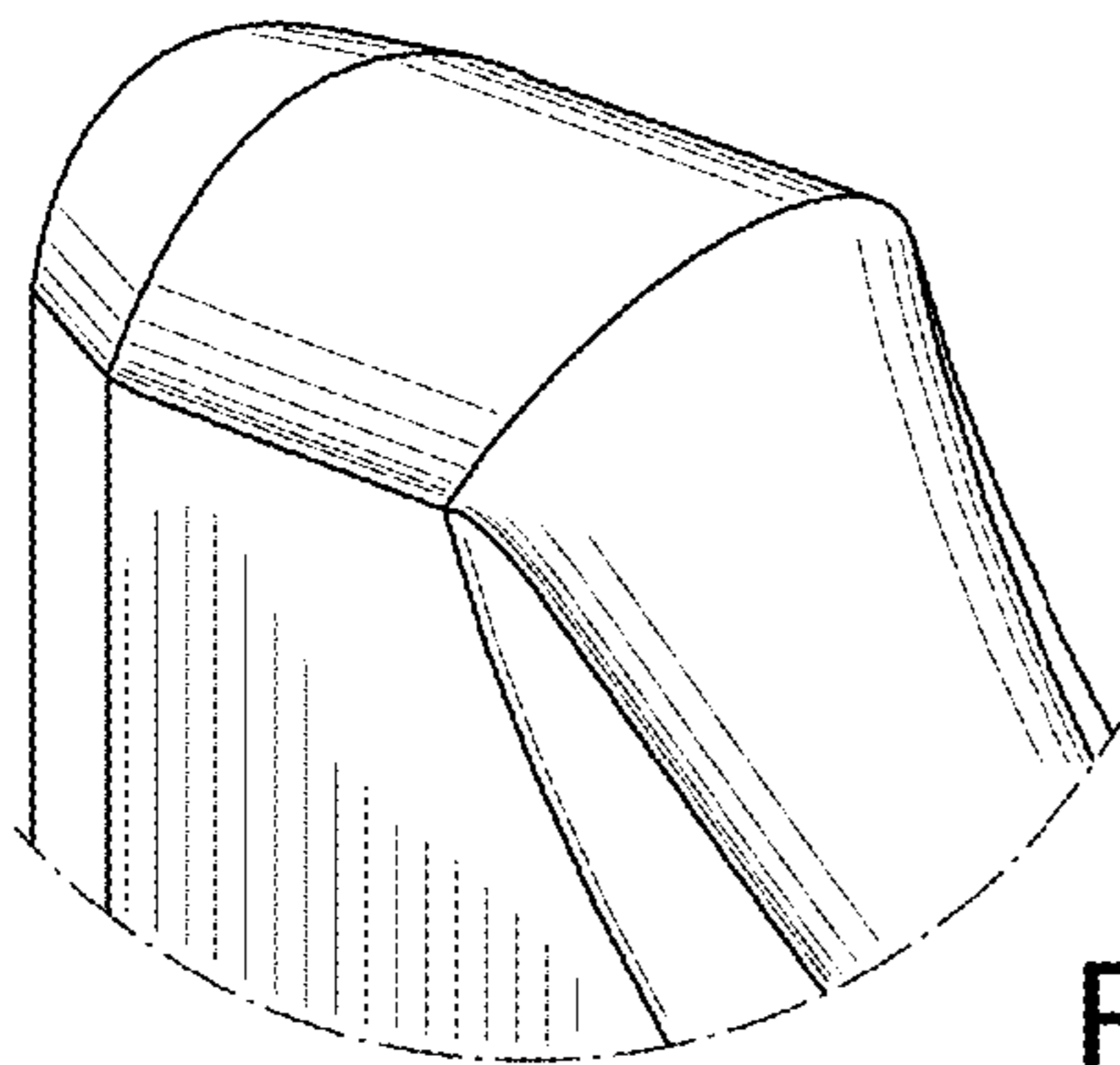


FIG. 5