



US00D773827S

(12) **United States Design Patent**
Typrowicz et al.

(10) **Patent No.:** **US D773,827 S**

(45) **Date of Patent:** **** Dec. 13, 2016**

(54) **ANGLED PAINT ROLLER**

(71) Applicant: **Work Tools International, Inc.**, Largo, FL (US)

(72) Inventors: **Thomas F Typrowicz**, Largo, FL (US);
Thomas G Typrowicz, Largo, FL (US)

(**) Term: **15 Years**

(21) Appl. No.: **29/560,383**

(22) Filed: **Apr. 6, 2016**

(51) **LOC (10) Cl.** **04-01**

(52) **U.S. Cl.**
USPC **D4/122**

(58) **Field of Classification Search**
USPC D4/122, 138; 15/27, 104.001, 104.002,
15/230.11; 492/13, 16-19
CPC B05C 1/00; B05C 1/02; B05C 17/0205;
B44D 2/00

See application file for complete search history.

(56) **References Cited**

U.S. PATENT DOCUMENTS

D398,106 S * 9/1998 Diehl D32/35
D574,153 S * 8/2008 Dehart D4/122
D683,546 S * 6/2013 Woolfolk D4/122
8,819,885 B1 * 9/2014 Boukair B05C 17/0205
15/143.1
D741,604 S * 10/2015 Typrowicz D4/122

D750,381 S * 3/2016 Parker D4/122
D754,974 S * 5/2016 Arvinte D4/122
D758,082 S * 6/2016 Rockwell D4/122
2003/0009840 A1 * 1/2003 Karsten B05C 17/022
15/230.11
2010/0024147 A1 * 2/2010 Watson B05C 17/0205
15/230.11

FOREIGN PATENT DOCUMENTS

EP 2050513 4/2009

* cited by examiner

Primary Examiner — Austin Murphy

(74) *Attorney, Agent, or Firm* — Larson & Larson, P.A.;
Justin P. Miller; Patrick A. Reid

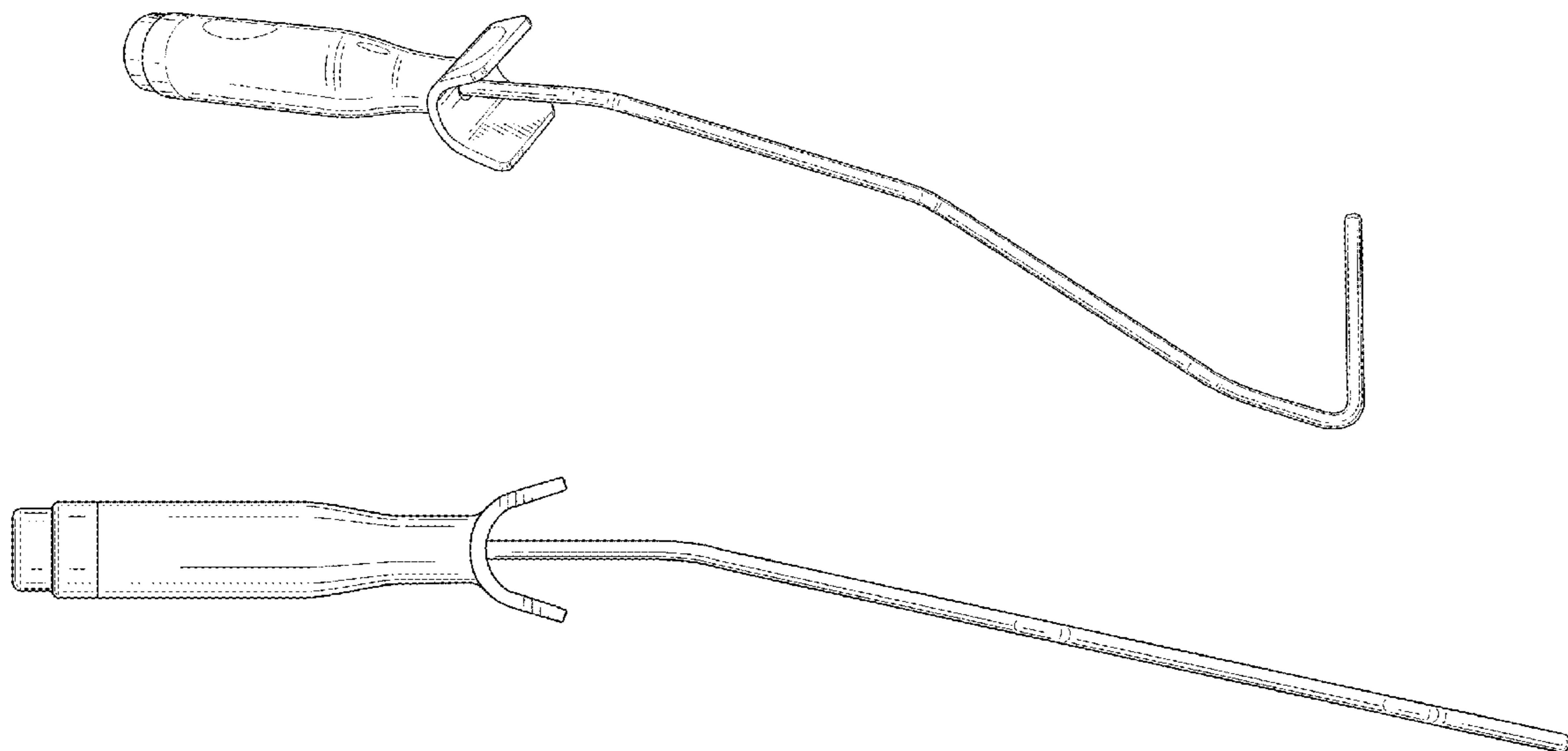
(57) **CLAIM**

We claim the ornamental design for an angled paint roller,
as shown and described.

DESCRIPTION

FIG. 1 is a perspective view of an angled paint roller showing my new design;
FIG. 2 is a front elevation view thereof;
FIG. 3 is a back elevation view thereof;
FIG. 4 is a right elevation view thereof;
FIG. 5 is a left elevation thereof;
FIG. 6 is a top plan view thereof; and,
FIG. 7 is a bottom plan view thereof.

1 Claim, 5 Drawing Sheets



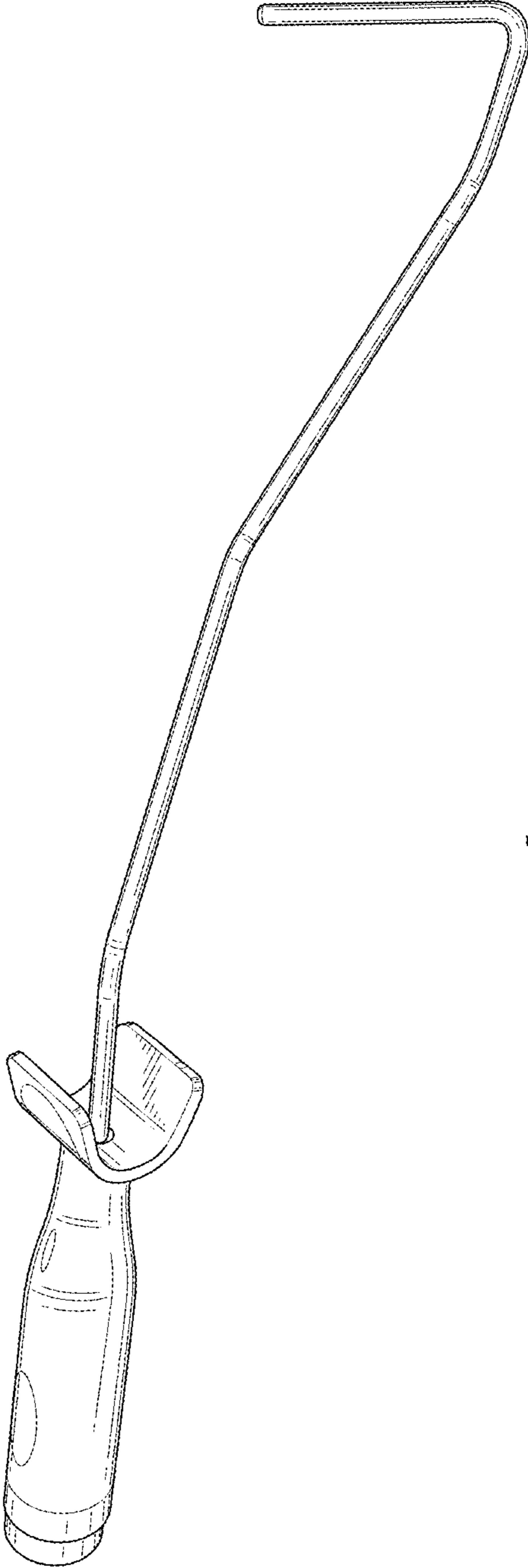


FIG. 1

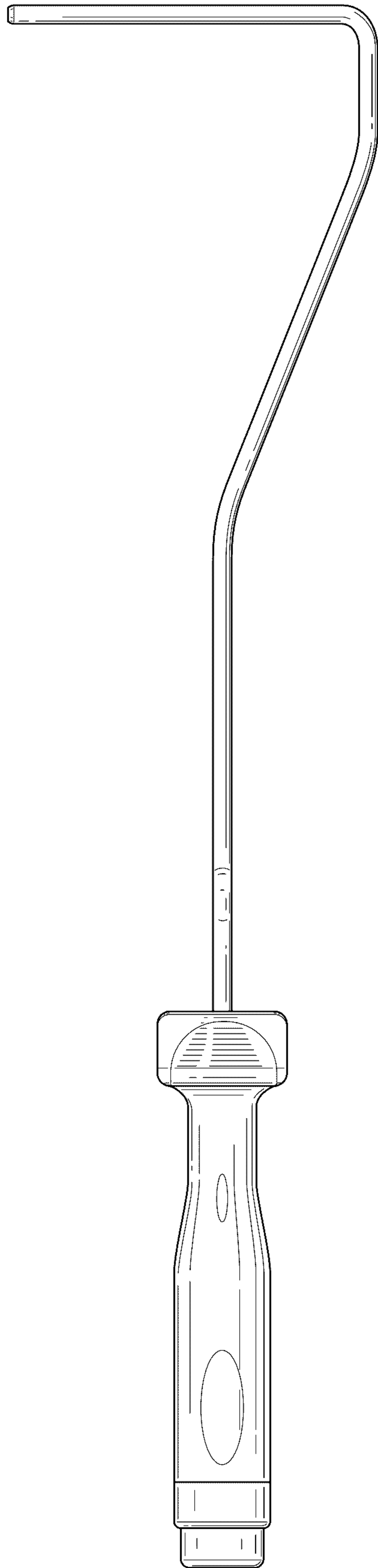


FIG. 2

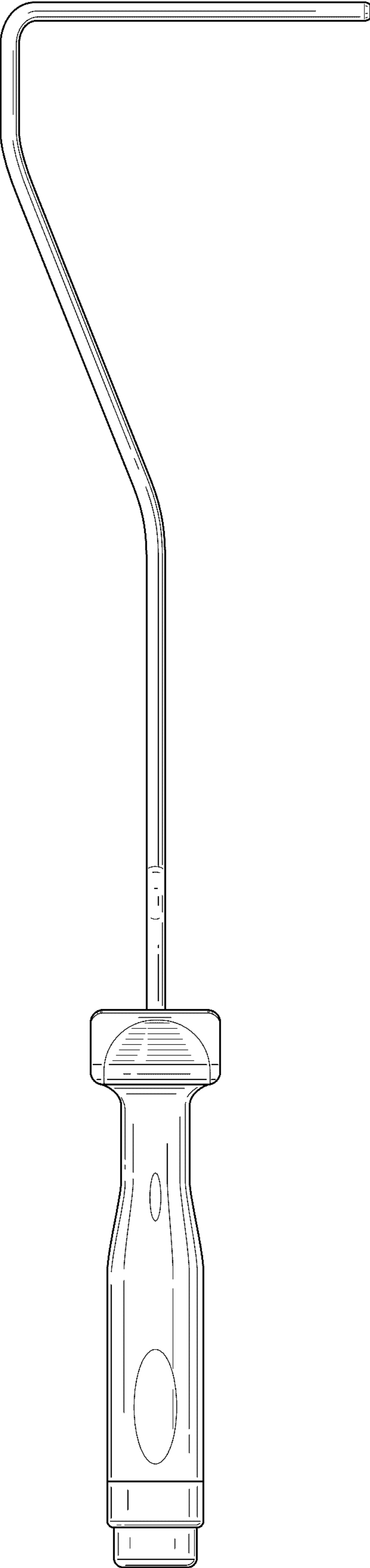


FIG. 3

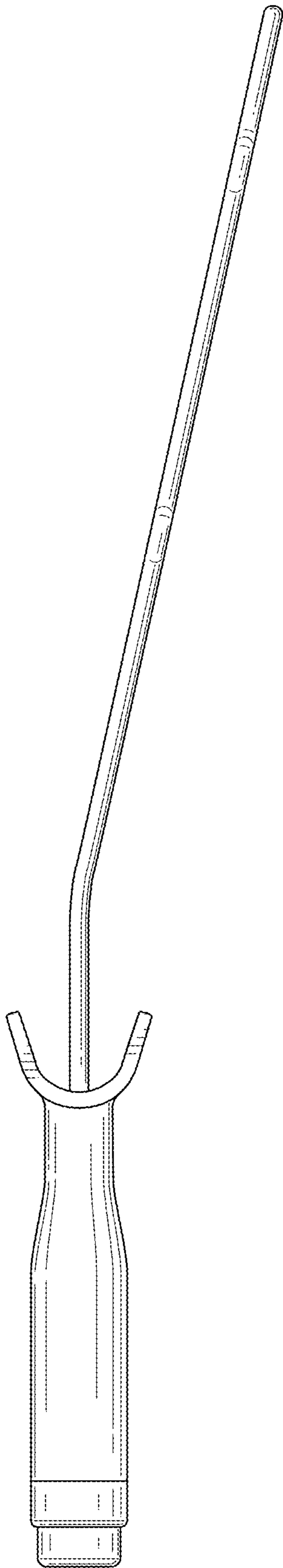


FIG. 4

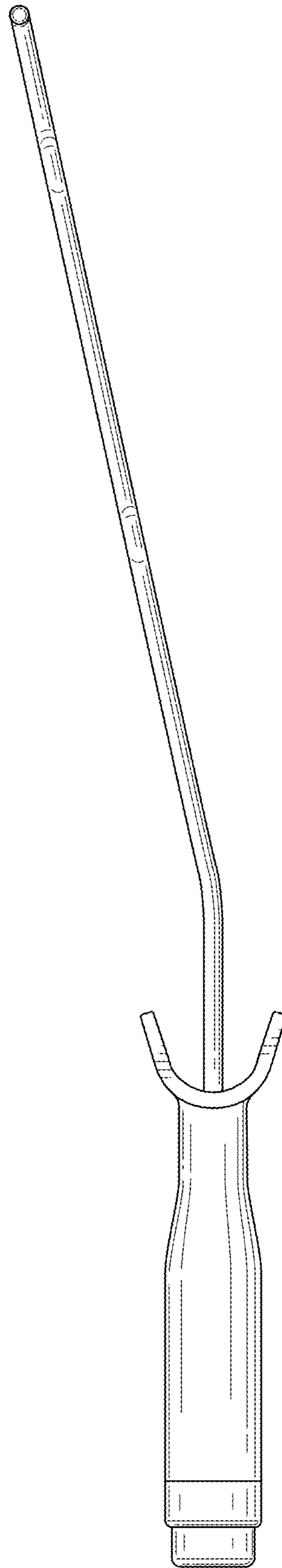


FIG. 5

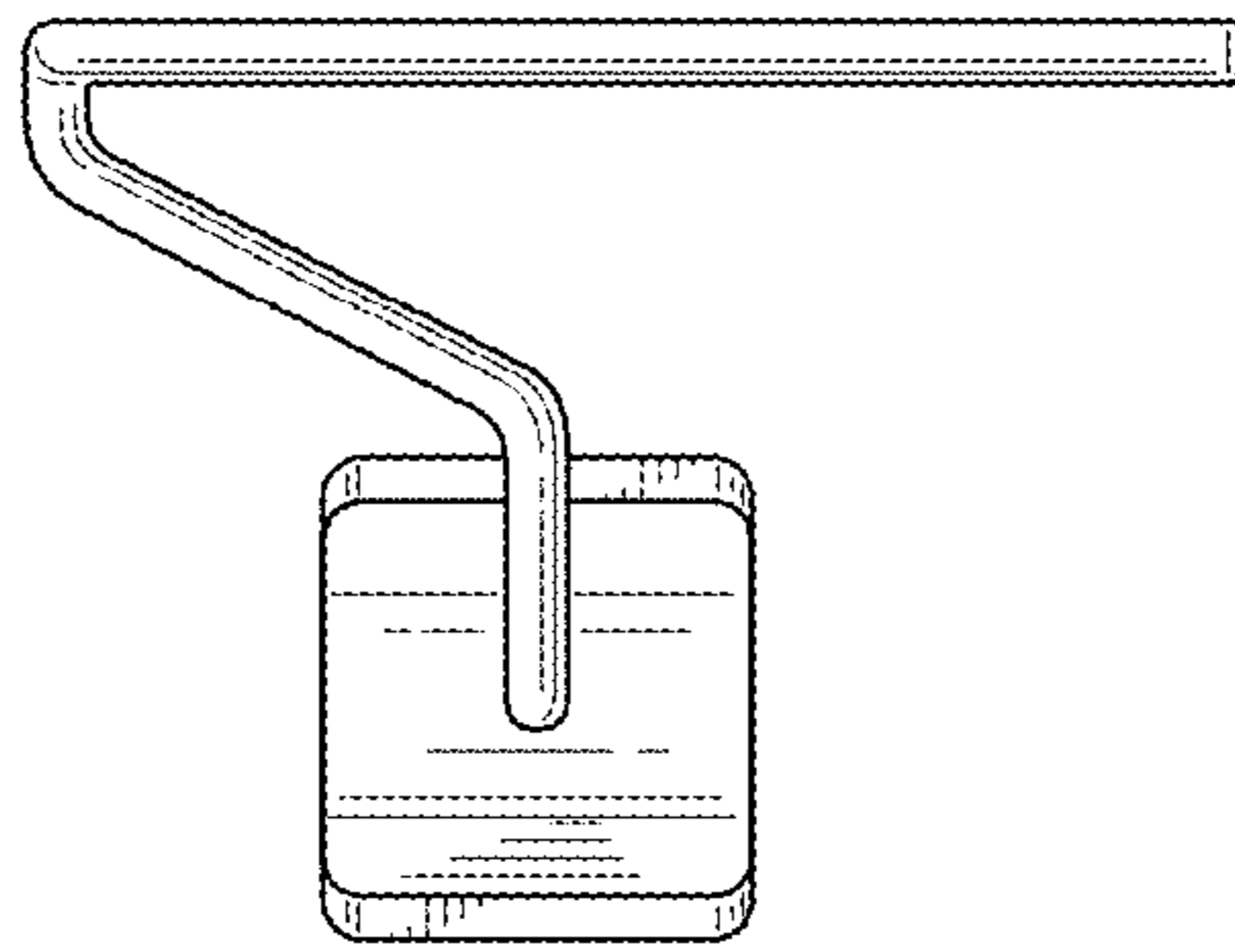


FIG. 6

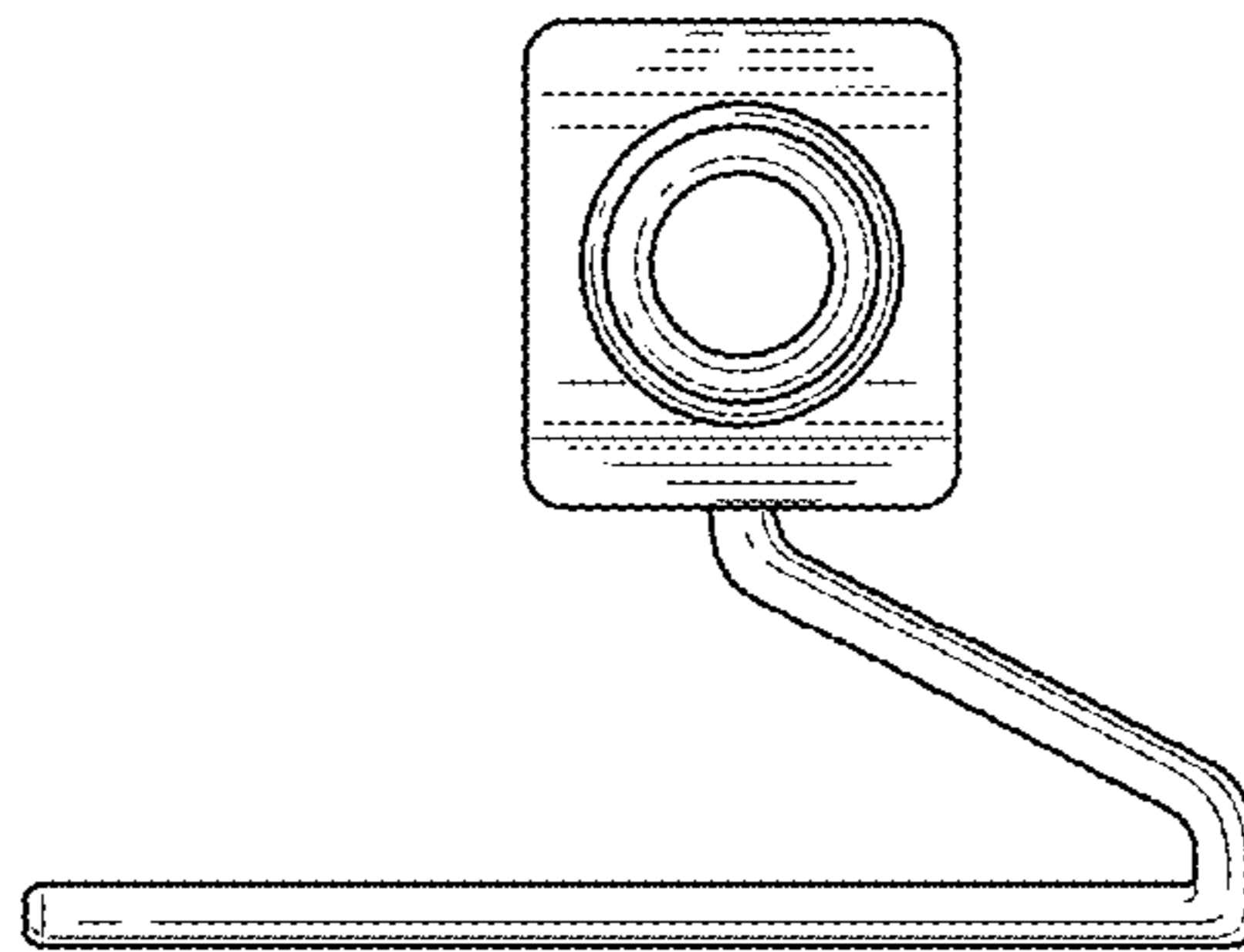


FIG. 7