



US00D773823S

(12) **United States Design Patent** (10) **Patent No.:** **US D773,823 S**  
**Wong** (45) **Date of Patent:** **\*\* Dec. 13, 2016**

(54) **FACIAL CLEANSING DEVICE**

(71) Applicant: **Heroka Industries Ltd.**, Kwun Tong, Kowloon (CN)

(72) Inventor: **Lau Shu Wong**, Kowloon (CN)

(73) Assignee: **Heroka Industries Ltd.**, Kwun Tong, Kowloon, Hong Kong (CN)

(\*\*) Term: **14 Years**

(21) Appl. No.: **29/510,602**

(22) Filed: **Dec. 1, 2014**

(30) **Foreign Application Priority Data**

Jun. 3, 2014 (CN) ..... 2014 3 0162772

(51) **LOC (10) Cl.** ..... **04-02**

(52) **U.S. Cl.**  
USPC ..... **D4/102; D4/127**

(58) **Field of Classification Search**

USPC ..... D4/100, 102, 127, 132, 134, 136, 138;  
D24/146, 200, 214, 215; D28/58, 63;  
15/21.1, 22.1, 28, 29, 176.1, 176.4-176.6,  
15/207.2; 601/109, 112, 114  
CPC ..... A46B 3/00; A46B 3/005; A46B 3/22;  
A46B 5/0095; A46B 7/00; A46B  
7/04; A46B 7/042; A46B 7/06; A46B  
7/08; A46B 9/00; A46B 9/005; A46B  
9/02; A46B 9/06; A46B 13/00; A46B  
13/008; A46B 13/02; A46B 13/023; A46B  
13/026; A46B 13/04; A46B 13/08; A46B  
15/0002; A46B 15/0022; A46D  
1/00; A47K 7/00; A47K 7/02; A47K 7/04;  
A47K 7/043; A47L 23/06; A61H  
7/00; A61H 7/003; A61H 7/005; A61H  
2205/022

See application file for complete search history.

(56) **References Cited**

U.S. PATENT DOCUMENTS

D196,227	S	*	9/1963	Polatchek	.....	D4/102
D199,115	S	*	9/1964	Wedemeyer	.....	D4/102
3,467,080	A	*	9/1969	McNair	.....	A61H 23/0218 601/18
D226,583	S	*	3/1973	Welch	.....	D24/214
D245,883	S	*	9/1977	Tsuji	.....	D4/102
D250,228	S	*	11/1978	Long	.....	D4/102
D263,872	S	*	4/1982	Rakocy	.....	D24/214
D263,998	S	*	4/1982	Oberheim	.....	D24/214
D269,377	S	*	6/1983	Mackay	.....	D24/214
4,799,280	A	*	1/1989	Lee	.....	A46B 13/04 15/29
D301,398	S	*	6/1989	Cheung	.....	D32/14.1
D323,034	S	*	1/1992	Reinstein	.....	D24/200
D352,828	S	*	11/1994	Chen	.....	D4/102
D376,694	S	*	12/1996	Aiyar	.....	D4/102
D377,394	S	*	1/1997	Tillman	.....	D24/215
6,001,070	A	*	12/1999	Gebhard	.....	A61F 7/007 601/15
6,312,397	B1	*	11/2001	Gebhard	.....	A61F 7/007 601/15
D500,168	S	*	12/2004	Ho	.....	D28/44

(Continued)

*Primary Examiner* — Susan Moon Lee

(74) *Attorney, Agent, or Firm* — Foley Hoag LLP; Rajesh Vallabh

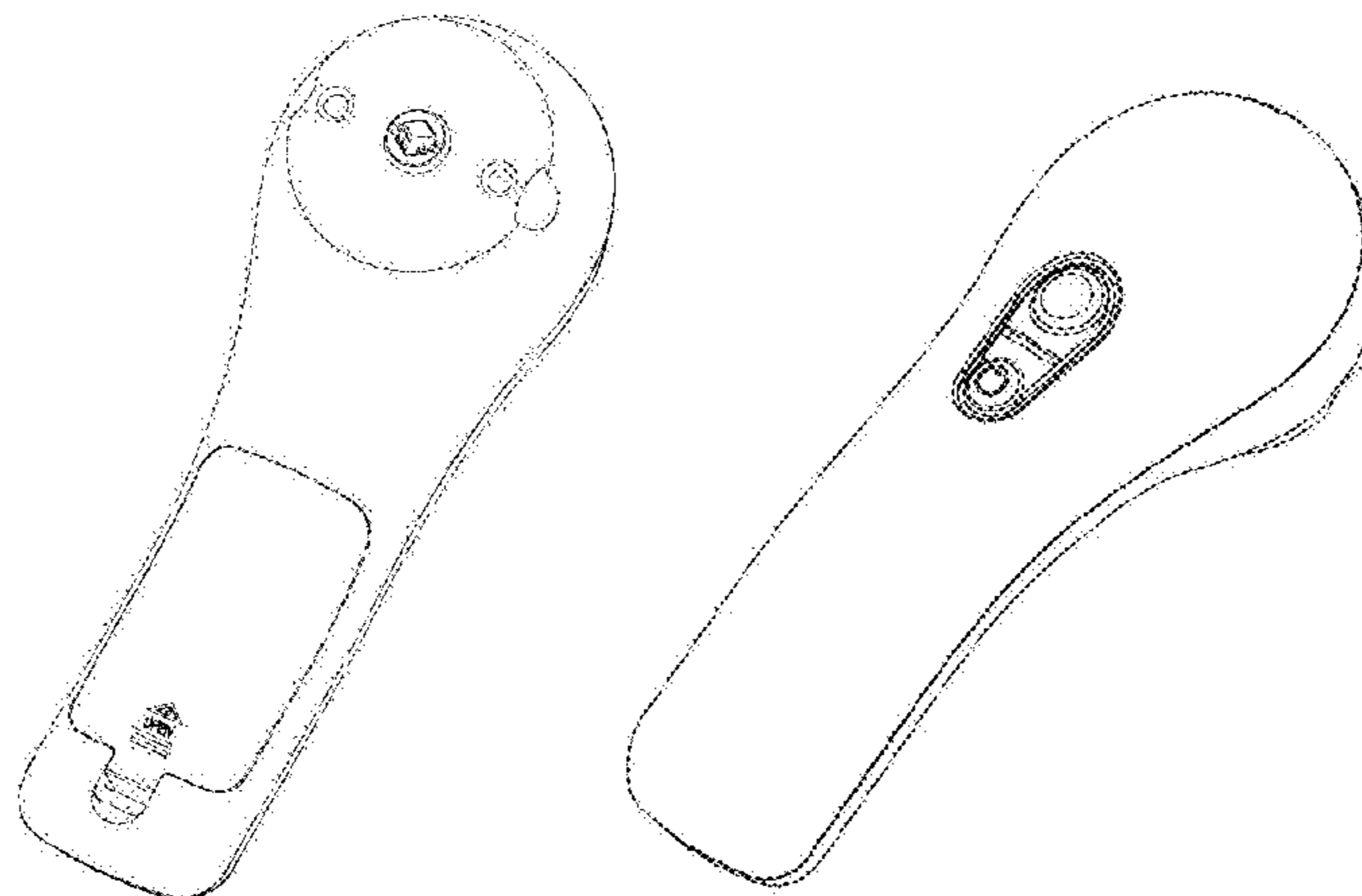
(57) **CLAIM**

The ornamental design for a facial cleansing device, as shown and described.

**DESCRIPTION**

FIG. 1 is a front perspective view of a facial cleansing device showing my new design;  
FIG. 2 is a back perspective view thereof;  
FIG. 3 is a top view thereof;  
FIG. 4 is a front view thereof;  
FIG. 5 is a bottom view thereof;  
FIG. 6 is a back view thereof;  
FIG. 7 is a left side view thereof; and,  
FIG. 8 is a right side view thereof.

**1 Claim, 8 Drawing Sheets**



(56)

References Cited

U.S. PATENT DOCUMENTS

D500,854 S \* 1/2005 Eichel ..... D24/133  
 D510,138 S \* 9/2005 Kim ..... D24/133  
 D523,561 S \* 6/2006 Telford ..... D24/215  
 D533,943 S \* 12/2006 Chen ..... D24/146  
 D535,397 S \* 1/2007 Chen ..... D24/146  
 D559,058 S \* 1/2008 Radi ..... D8/62  
 D569,523 S \* 5/2008 Hsieh ..... D24/206  
 D612,510 S \* 3/2010 Byle ..... D24/210  
 D628,304 S \* 11/2010 Aulwes ..... D24/214  
 7,918,862 B2 \* 4/2011 Hull, Jr. .... A61H 7/005  
 604/290  
 D637,309 S \* 5/2011 Park ..... D24/215  
 D646,487 S \* 10/2011 Leppla ..... D4/102  
 D649,657 S \* 11/2011 Petersen ..... D24/215  
 D652,169 S \* 1/2012 Yoon ..... D28/54  
 D652,523 S \* 1/2012 Bradley ..... D24/209  
 D660,448 S \* 5/2012 Lum ..... D24/209

D671,226 S \* 11/2012 Aulwes ..... D24/215  
 D675,829 S \* 2/2013 Jakubow ..... D4/102  
 D679,502 S \* 4/2013 Itano ..... D4/102  
 D705,422 S \* 5/2014 Burton ..... D24/112  
 D713,150 S \* 9/2014 Maurin ..... D4/102  
 D726,927 S \* 4/2015 Matsushita ..... D24/200  
 D736,399 S \* 8/2015 Nichols ..... D24/214  
 D749,325 S \* 2/2016 Middendorp ..... D4/102  
 2003/0125754 A1 \* 7/2003 Davis ..... A45D 26/0004  
 606/133  
 2009/0069728 A1 \* 3/2009 Hoffmann ..... A61B 8/08  
 601/46  
 2012/0165710 A1 \* 6/2012 Nichols ..... A61H 7/005  
 601/72  
 2013/0060176 A1 \* 3/2013 Nichols ..... A46B 13/023  
 601/137  
 2015/0305486 A1 \* 10/2015 Pardo ..... A46B 13/008  
 15/22.1

\* cited by examiner

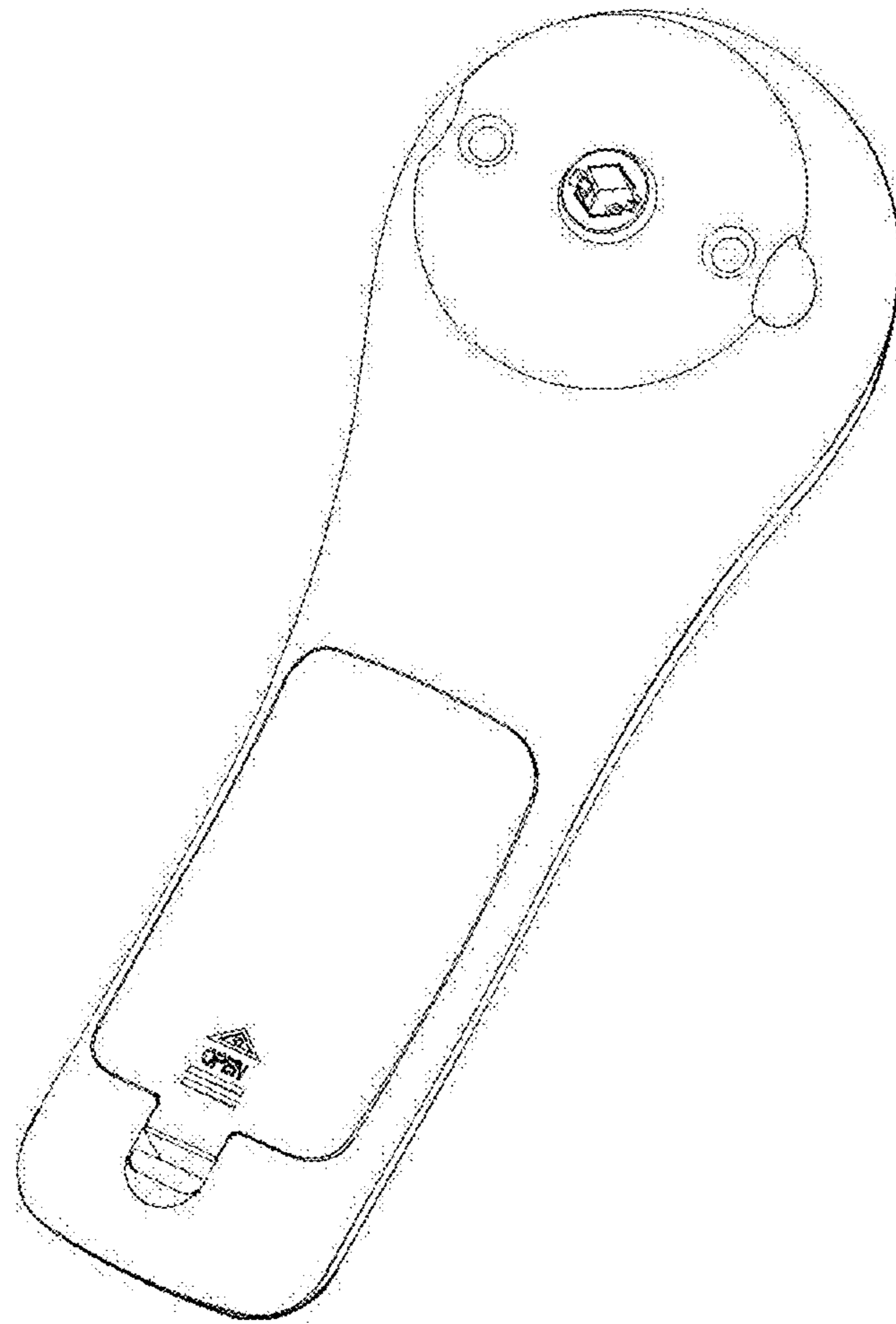


Fig. 1

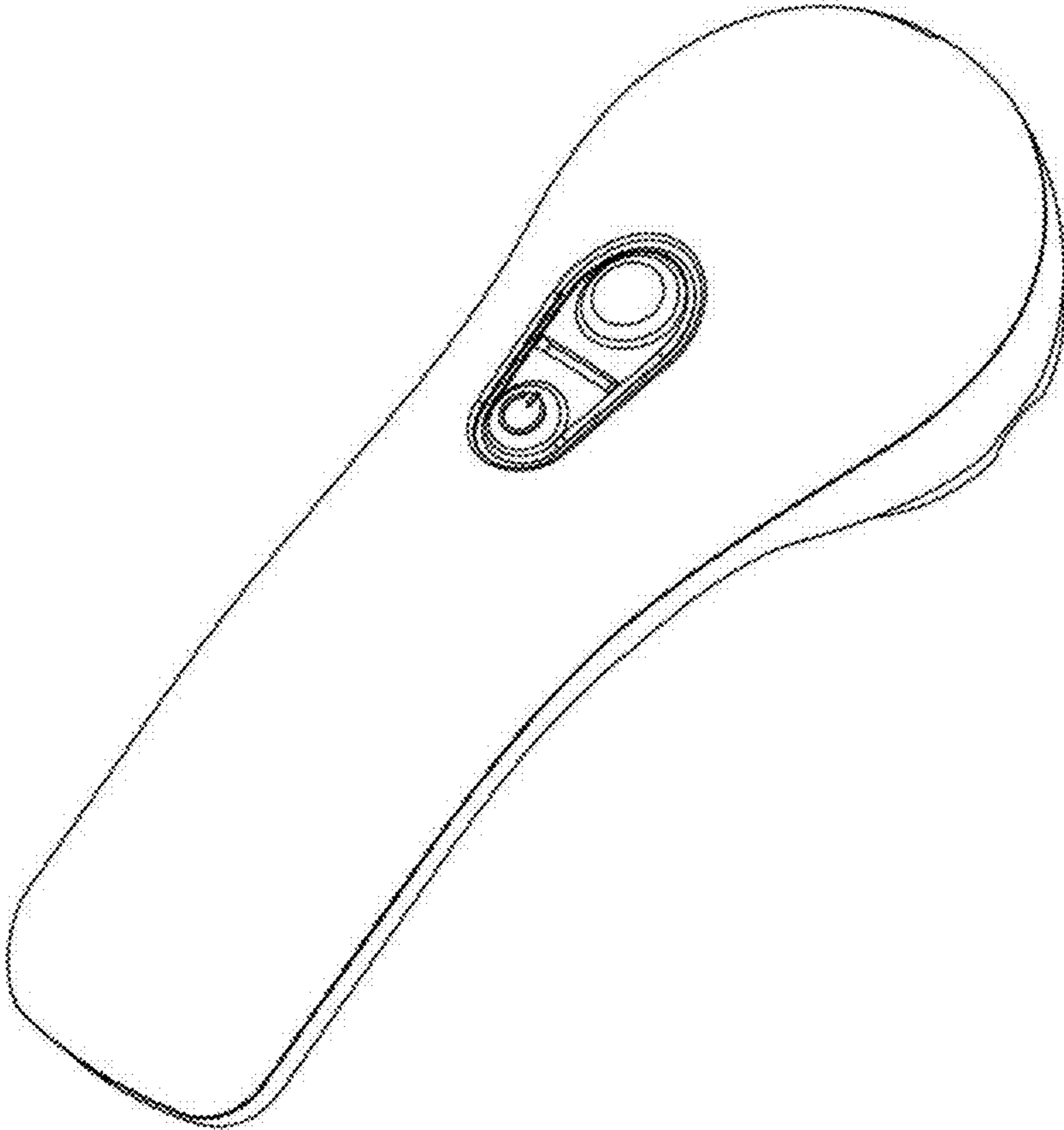


FIG. 2

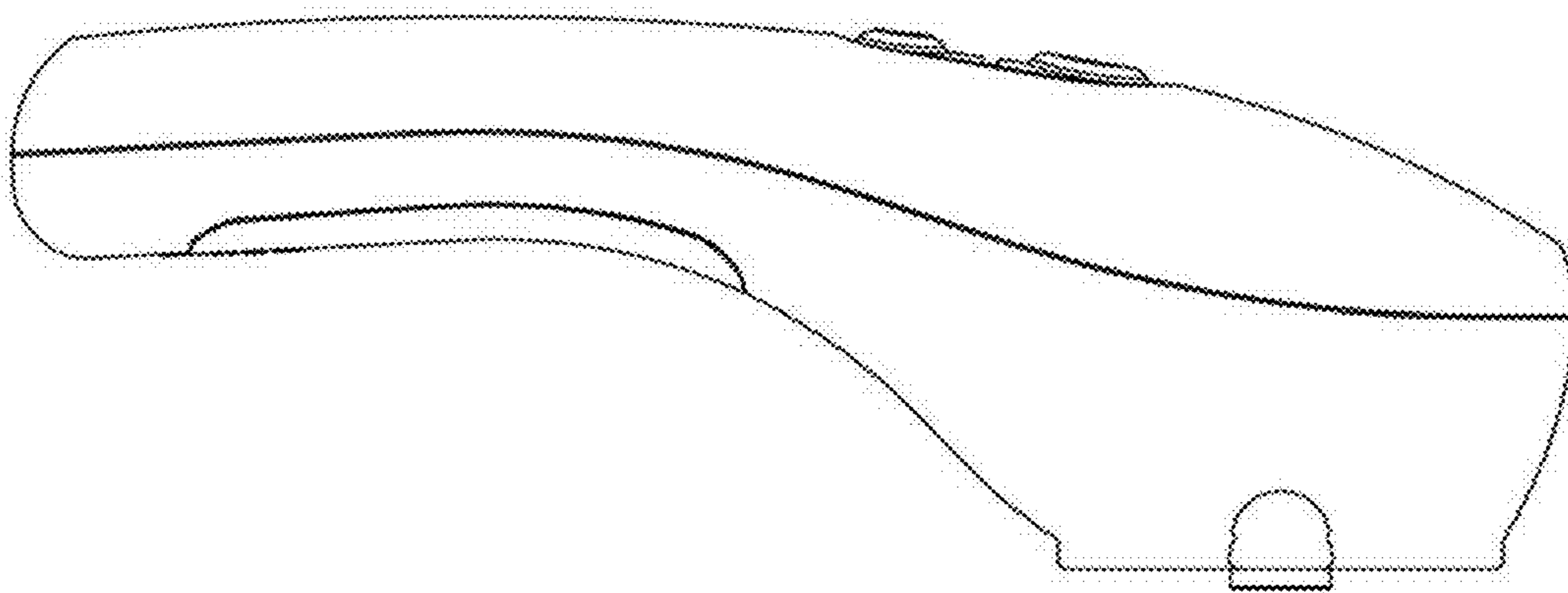


FIG. 3

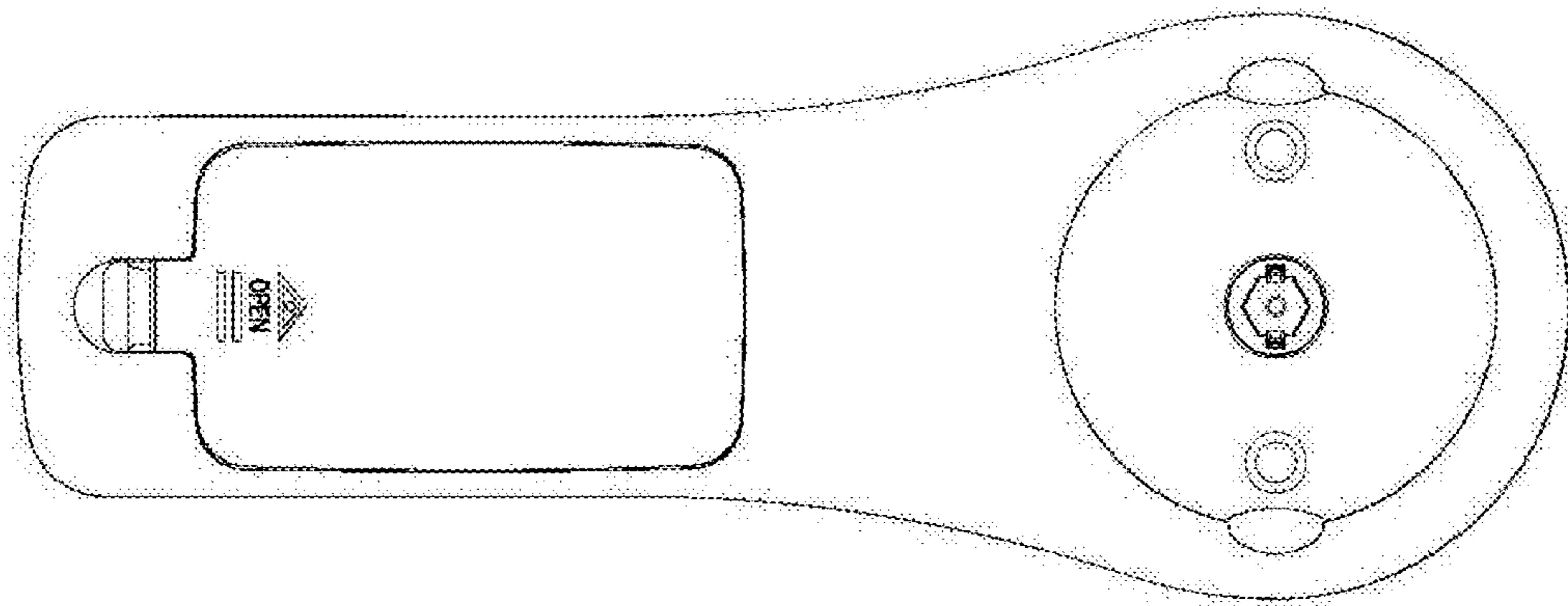


Fig. 4

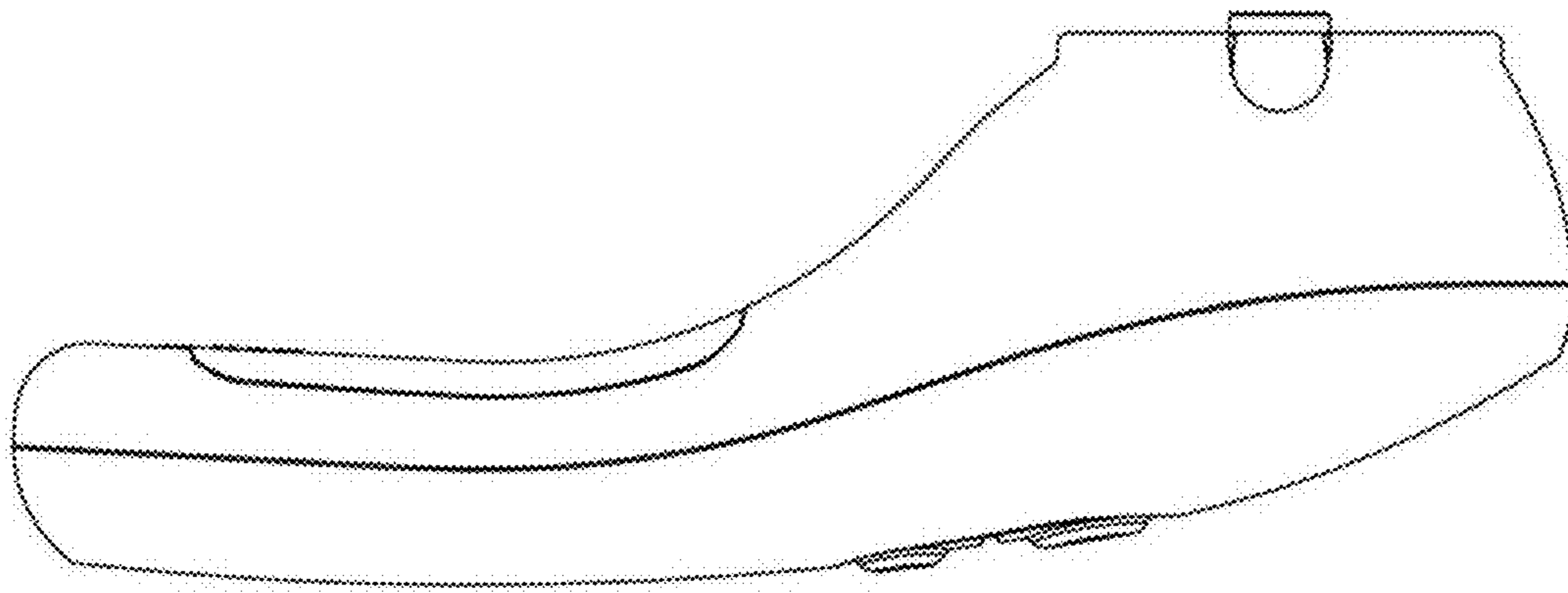


FIG. 5

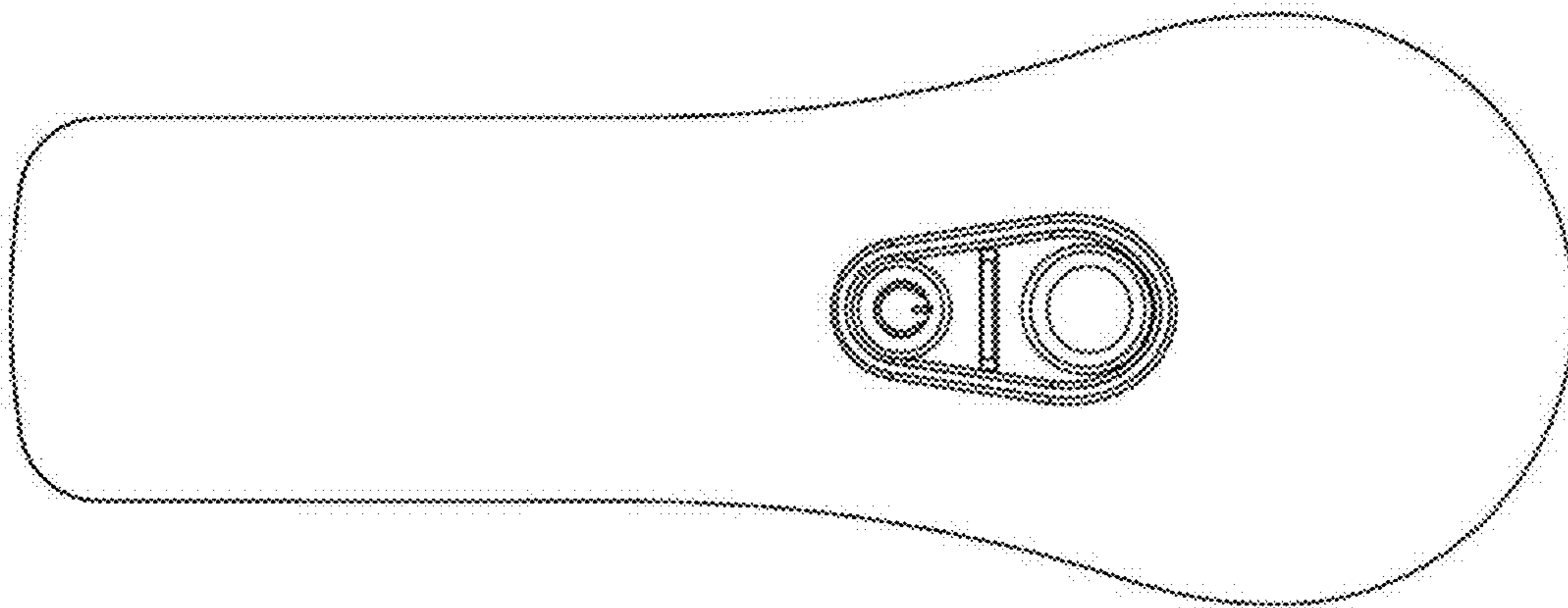


FIG. 6



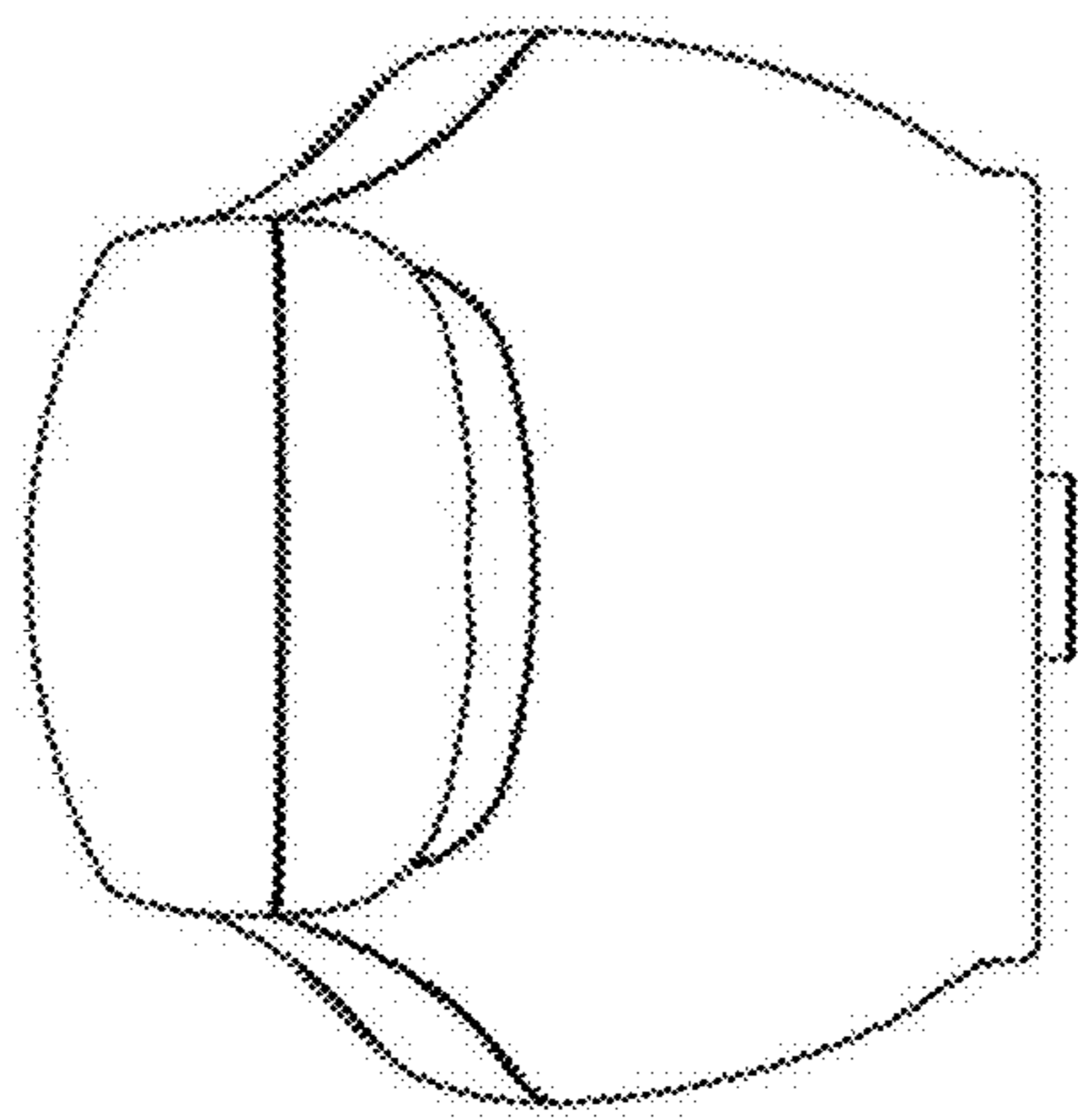


FIG. 7

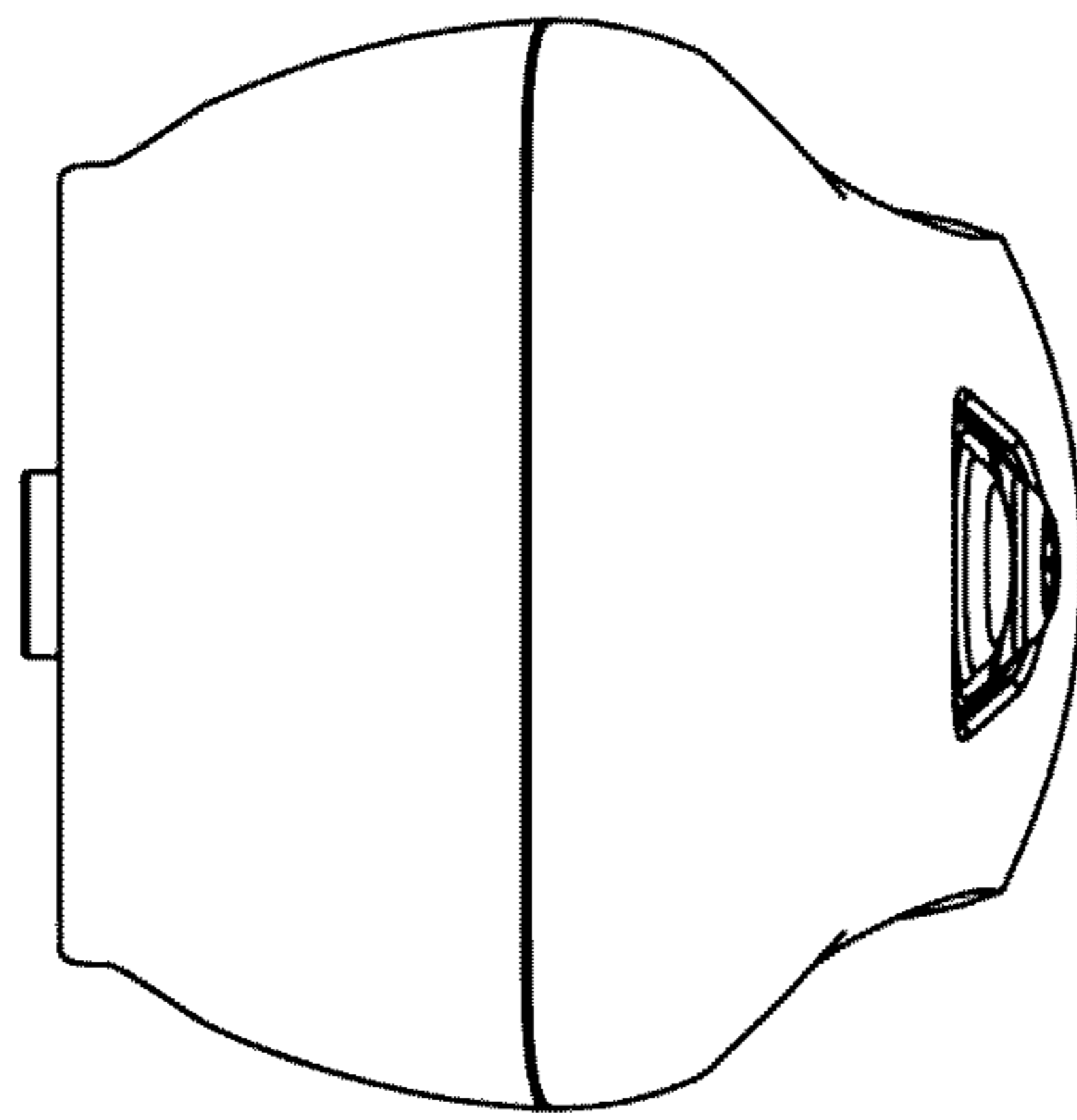


FIG. 8