



US00D773818S

(12) **United States Design Patent** (10) **Patent No.:** **US D773,818 S**
Kinskey (45) **Date of Patent:** **** Dec. 13, 2016**

- (54) **BACKING FOR TOOL POUCH**
- (71) Applicant: **L.F. Centennial Ltd.**, Road Town, Tortola (VG)
- (72) Inventor: **Terrence P. Kinskey**, Alpharetta, GA (US)
- (73) Assignee: **L.F. Centennial Ltd.**, Tortola (VG)
- (**) Term: **14 Years**
- (21) Appl. No.: **29/518,307**
- (22) Filed: **Feb. 23, 2015**
- (51) **LOC (10) Cl.** **03-01**
- (52) **U.S. Cl.**
USPC **D3/318**
- (58) **Field of Classification Search**
USPC D3/321, 318
CPC B65D 85/28; A65C 5/14; A65C 13/26
See application file for complete search history.

4,932,576 A 6/1990 Ashley
 4,961,522 A 10/1990 Weber
 4,962,873 A 10/1990 Schattel
 (Continued)

FOREIGN PATENT DOCUMENTS

CA 2755685 4/2013
 CA 2800605 7/2014

Primary Examiner — Holly Baynham

(74) *Attorney, Agent, or Firm* — Duane Morris LLP; J. Rodman Steele, Jr.; Gregory M. Lefkowitz

(57) **CLAIM**

The ornamental design for a backing for tool pouch, as shown and described.

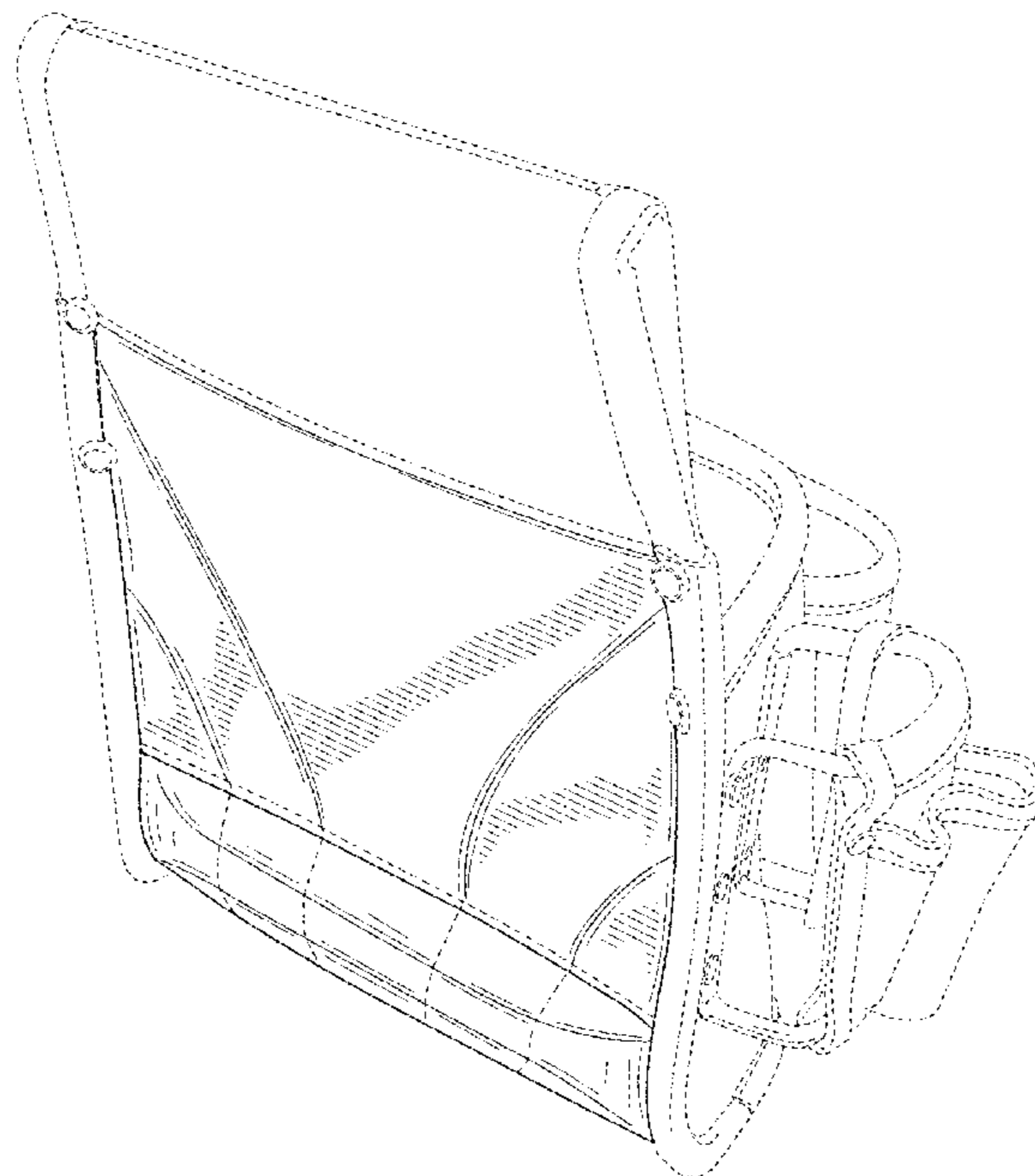
DESCRIPTION

FIG. 1 is a front, perspective view in accordance with a new backing for tool pouch design;
 FIG. 2 is a front view of the design of FIG. 1;
 FIG. 3 is a left side view of the design of FIG. 1;
 FIG. 4 is a right side view of the design of FIG. 1;
 FIG. 5 is a top view of the design of FIG. 1;
 FIG. 6 is a bottom view of the design of FIG. 1;
 FIG. 7 is a front, perspective view of an embodiment of the design of FIG. 1 with a slightly taller padded portion;
 FIG. 8 is a front view of the design of FIG. 7;
 FIG. 9 is a left side view of the design of FIG. 7;
 FIG. 10 is a right side view of the design of FIG. 7;
 FIG. 11 is a top view of the design of FIG. 7; and,
 FIG. 12 is a bottom view of the design of FIG. 7.
 The broken lines are included for purposes of illustrating environment and form no part of the claimed design. The design is not visible in the back view.

(56) **References Cited**
U.S. PATENT DOCUMENTS

D254,759 S	4/1980	Rodstein
4,356,854 A	11/1982	McGee
4,390,116 A	6/1983	Fehr
4,408,706 A	10/1983	Hurley
4,496,088 A	1/1985	Tuthill
4,747,527 A	5/1988	Trumpower
4,782,535 A	11/1988	Yewer, Jr. et al.
4,815,640 A	3/1989	Johnson
D302,489 S	8/1989	Stone et al.
4,917,281 A	4/1990	Ostermiller
4,923,105 A	5/1990	Snyder

1 Claim, 10 Drawing Sheets



(56)

References Cited

U.S. PATENT DOCUMENTS

4,966,321 A	10/1990	Outlaw	6,390,348 B1	5/2002	Godshaw et al.
D313,121 S	12/1990	Dise	6,398,092 B1	6/2002	Ansley
4,993,614 A	2/1991	Bonofigl	6,435,389 B1	8/2002	Sucher
D316,185 S	4/1991	Seber	D463,115 S	9/2002	Snider
D316,186 S	4/1991	Seber	6,446,852 B1	9/2002	Sorensen et al.
D316,485 S	4/1991	Seber	D463,664 S	10/2002	Borsuk
5,004,136 A	4/1991	Leath	6,478,463 B2	11/2002	Snider
5,014,636 A	5/1991	Seber	6,487,756 B1	12/2002	Vidal
D324,309 S	3/1992	Huff	6,536,590 B1	3/2003	Godshaw et al.
D333,040 S	2/1993	Dancyger	6,550,592 B1	4/2003	Godshaw et al.
D333,215 S	2/1993	Brown	6,561,402 B2	5/2003	Holland et al.
5,195,667 A	3/1993	Gallant	6,568,575 B1	5/2003	Bartholomew
5,201,448 A	4/1993	Schue	D477,142 S	7/2003	Dancyger
5,209,384 A	5/1993	Anderson	D477,462 S	7/2003	Dancyger
5,248,072 A	9/1993	Jones	6,592,012 B2	7/2003	Godshaw et al.
D348,777 S	7/1994	Dancyger	6,601,743 B2	8/2003	Godshaw
D348,778 S	7/1994	Dancyger	D481,535 S	11/2003	Cabrera et al.
D348,982 S	7/1994	Dancyger	D482,196 S	11/2003	Cabrera et al.
D348,983 S	7/1994	Dancyger	D482,524 S	11/2003	Cabrera et al.
5,329,884 A	7/1994	Bell	6,641,011 B1	11/2003	Kahn
5,337,511 A	8/1994	Ashbaugh	6,655,565 B2	12/2003	Godshaw et al.
5,337,933 A	8/1994	Nunez	6,659,321 B2	12/2003	Hartranft et al.
5,341,975 A	8/1994	Marinescu	6,662,373 B2	12/2003	Frank
D350,229 S	9/1994	Dancyger	6,675,965 B2	1/2004	Holland et al.
D350,849 S	9/1994	Dancyger	D487,630 S	3/2004	Martin et al.
D355,748 S	2/1995	Dancyger	6,698,632 B1	3/2004	Turner et al.
5,388,740 A	2/1995	Garland	6,701,534 B2	3/2004	Guibord
D361,658 S	8/1995	Martin	6,712,251 B2	3/2004	Godshaw et al.
5,497,923 A	3/1996	Pearson et al.	6,766,532 B1	7/2004	Cabana
5,501,379 A	3/1996	Munoz	D496,787 S	10/2004	Cabrera et al.
5,505,356 A	4/1996	Noriega et al.	D501,078 S	1/2005	Cabana
5,511,703 A	4/1996	Ryerson	6,848,605 B2	2/2005	Dillenberger
5,511,705 A	4/1996	Dreszer	6,889,834 B2	5/2005	Ho
5,531,292 A	7/1996	Bell	6,907,989 B2	6/2005	Ho
5,568,887 A	10/1996	Gollihue et al.	6,915,902 B2	7/2005	Brouard
D378,633 S	4/1997	Granito	6,991,104 B2	1/2006	Redzisz
5,630,536 A	5/1997	Bugnaski	6,994,238 B2	2/2006	Estabaya
5,639,003 A	6/1997	Utzinger	7,011,241 B2*	3/2006	Godshaw A45C 7/0086 224/583
D381,804 S	8/1997	Dancyger	7,055,652 B1	6/2006	Williams
5,653,337 A	8/1997	Cirigliano	7,077,303 B2	7/2006	Zega
5,673,830 A	10/1997	Matthews	D528,785 S	9/2006	Fraga
5,730,347 A	3/1998	Finot	D530,506 S	10/2006	Thurner
5,813,530 A	9/1998	Kornblatt	D531,401 S	11/2006	Thurner
D406,896 S	3/1999	Dancyger	D531,799 S	11/2006	Adams et al.
D410,773 S	6/1999	Case	7,150,345 B2	12/2006	Redzisz
5,915,610 A	6/1999	Russell	D543,025 S	5/2007	Cicione
5,941,438 A	8/1999	Price	7,243,793 B2	7/2007	Ho
5,971,101 A	10/1999	Taggart	D553,350 S	10/2007	Dvorak
5,988,315 A	11/1999	Crane	D553,362 S	10/2007	Godshaw et al.
D418,291 S	1/2000	Dancyger	7,293,635 B2	11/2007	Repke et al.
6,015,073 A	1/2000	Wojciak et al.	7,314,153 B2	1/2008	Musarella et al.
6,016,944 A	1/2000	Girbert	7,318,542 B2	1/2008	Godshaw et al.
D423,759 S	5/2000	Dancyger	D588,800 S	3/2009	Cicione
D423,773 S	5/2000	Dancyger	D603,164 S	11/2009	Meier et al.
6,065,658 A	5/2000	Hashimoto	7,658,307 B2	2/2010	Skupin
6,070,288 A	6/2000	Luyckx et al.	7,699,197 B2	4/2010	Panosian et al.
D428,250 S	7/2000	Reichardt	7,784,658 B1	8/2010	Hansen
6,085,952 A	7/2000	Garland	7,802,680 B2	9/2010	Krebs et al.
6,102,264 A	8/2000	Redzisz	D628,382 S	12/2010	Niehaus et al.
D431,104 S	9/2000	Dancyger	7,909,214 B2	3/2011	Gold et al.
6,119,909 A	9/2000	Dancyger	D641,552 S	7/2011	Sosnovsky
6,126,003 A	10/2000	Brouard	7,984,820 B2	7/2011	Dancyger
6,155,471 A	12/2000	Lichtenberger	8,016,173 B2	9/2011	Dvorak
6,179,185 B1	1/2001	Dancyger	D647,301 S	10/2011	Sosnovsky
D437,998 S	2/2001	Williamson	8,032,980 B2	10/2011	Basenberg et al.
D437,999 S	2/2001	Williamson	D648,121 S	11/2011	Dallmann
6,193,119 B1	2/2001	Schwarm	D648,532 S	11/2011	Sosnovsky
D438,701 S	3/2001	Dancyger	D648,533 S	11/2011	Sosnovsky
6,213,365 B1	4/2001	Stocke et al.	8,074,798 B2	12/2011	Williams et al.
6,216,931 B1	4/2001	Trawinski	8,151,938 B2	4/2012	Kinskey
D443,411 S	6/2001	Snider et al.	8,152,037 B2	4/2012	Sabbag
6,267,276 B1	7/2001	Cook	8,177,029 B1	5/2012	Norton et al.
D448,162 S	9/2001	Snider	8,220,683 B2	7/2012	Williams
D450,449 S	11/2001	Godshaw et al.	D667,636 S	9/2012	Maglieri
D455,901 S	4/2002	Snider	D672,280 S	12/2012	Schurian et al.
			D672,556 S	12/2012	Scarabelli
			D672,962 S	12/2012	Wang et al.
			D676,234 S	2/2013	Moreau et al.

(56)

References Cited

U.S. PATENT DOCUMENTS

8,376,665 B2	2/2013	Kirby	2007/0241014 A1	10/2007	Williams
8,382,373 B1	2/2013	Dancyger	2007/0241158 A1	10/2007	Shima
8,403,140 B2	3/2013	Woolery	2007/0241159 A1	10/2007	Chang
8,403,141 B2	3/2013	Williams et al.	2007/0295776 A1	12/2007	Whelan
D684,764 S	6/2013	Sigouin	2008/0017683 A1	1/2008	Votel
D696,012 S	12/2013	Hanlon	2008/0023515 A1	1/2008	Coonan et al.
D699,940 S	2/2014	Robert	2008/0029562 A1	2/2008	Hawkins et al.
D701,045 S	3/2014	Menirom et al.	2008/0093406 A1	4/2008	Logan et al.
D703,438 S	4/2014	Lee	2008/0135594 A1	6/2008	Williams
8,708,351 B2	4/2014	Kinskey et al.	2008/0179370 A1	7/2008	Williams
D704,435 S	5/2014	Moreau et al.	2008/0185414 A1	8/2008	Conlon
D707,962 S	7/2014	Moreau et al.	2008/0197756 A1	8/2008	Macias et al.
D715,549 S	10/2014	Moreau et al.	2008/0202962 A1	8/2008	Brouard
8,875,314 B1	11/2014	Panetta	2008/0240624 A1	10/2008	Godshaw et al.
D718,535 S *	12/2014	Kinskey D3/228	2008/0264992 A1	10/2008	Westling
2001/0035736 A1	11/2001	Person	2008/0314947 A1	12/2008	Gold et al.
2002/0008128 A1	1/2002	Field	2009/0078730 A1	3/2009	Kuny et al.
2002/0014507 A1	2/2002	Snider et al.	2009/0108040 A1	4/2009	Corzine
2002/0096545 A1	7/2002	Chang	2009/0145711 A1	6/2009	Panosian et al.
2002/0145027 A1	10/2002	Godshaw et al.	2009/0145938 A1	6/2009	Kahn
2002/0170933 A1	11/2002	Martin	2009/0242598 A1	10/2009	Dormaar
2003/0042160 A1	3/2003	Godshaw et al.	2009/0294500 A1	12/2009	Brown et al.
2003/0102346 A1	6/2003	Chen	2009/0314813 A1	12/2009	Woolery
2003/0197042 A1	10/2003	Warren	2010/0044405 A1	2/2010	Albert
2003/0213827 A1	11/2003	Langmuir	2010/0072242 A1	3/2010	Panosian et al.
2004/0245305 A1	12/2004	Garcia	2010/0176171 A1	7/2010	Araujo
2005/0082323 A1	4/2005	O'Hair	2011/0089057 A1	4/2011	Miller et al.
2005/0133561 A1	6/2005	Kimball	2011/0132953 A1	6/2011	Kreitzer
2005/0236454 A1	10/2005	Godshaw et al.	2011/0176752 A1	7/2011	Williams et al.
2006/0070901 A1	4/2006	Adams et al.	2012/0055894 A1	3/2012	Cabana et al.
2006/0102674 A1	5/2006	Godshaw et al.	2012/0085802 A1	4/2012	Ferrante
2006/0102678 A1	5/2006	Bommarito	2012/0138496 A1	6/2012	Tonelli
2006/0144885 A1	7/2006	Smeuninx	2012/0145755 A1	6/2012	Kahn
2006/0206992 A1	9/2006	Godshaw et al.	2012/0168472 A1	7/2012	Mathews
2006/0261116 A1	11/2006	Brandeis	2013/0008933 A1	1/2013	Clifford
2006/0266782 A1	11/2006	Godshaw et al.	2013/0026200 A1 *	1/2013	Kinskey A45F 3/02 224/251
2006/0289585 A1	12/2006	Godshaw et al.	2013/0048419 A1	2/2013	Nichols, Jr.
2007/0025647 A1	2/2007	Hamlin	2013/0119100 A1	5/2013	Ito et al.
2007/0045372 A1	3/2007	Cangemi	2013/0119101 A1	5/2013	Hachisuka
2007/0058887 A1	3/2007	Godshaw et al.	2013/0248284 A1	9/2013	Nichols
2007/0062997 A1	3/2007	Thurner	2013/0299544 A1	11/2013	Moreau et al.
2007/0125819 A1	6/2007	Kahn	2014/0166516 A1	6/2014	Martinez et al.
2007/0138227 A1	6/2007	Rickman	2014/0190852 A1	7/2014	Kinskey et al.
2007/0170220 A1	7/2007	Fragassi	2014/0239024 A1	8/2014	Brouard et al.
			2014/0262861 A1	9/2014	Crowe et al.

* cited by examiner

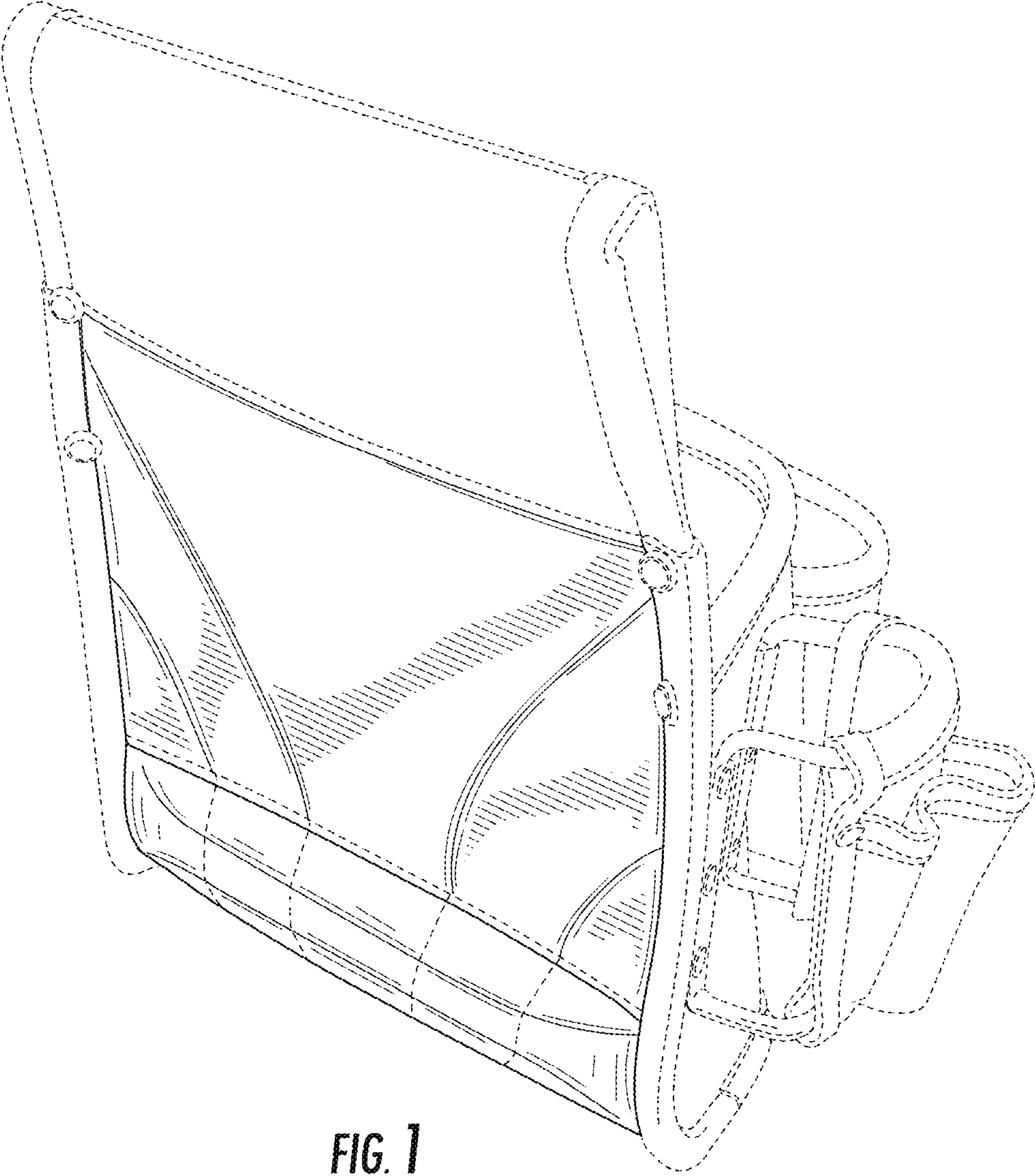


FIG. 1

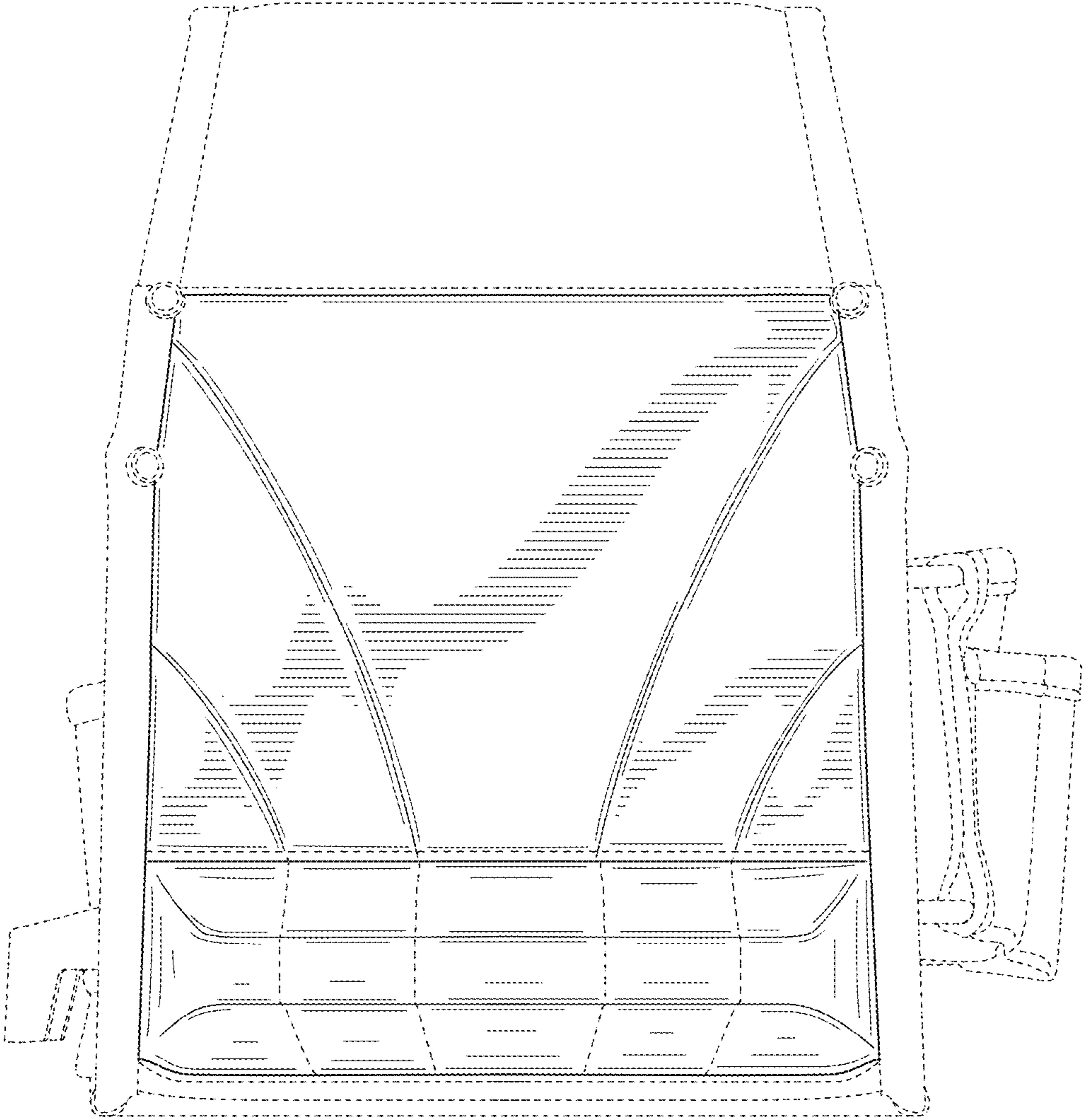


FIG. 2

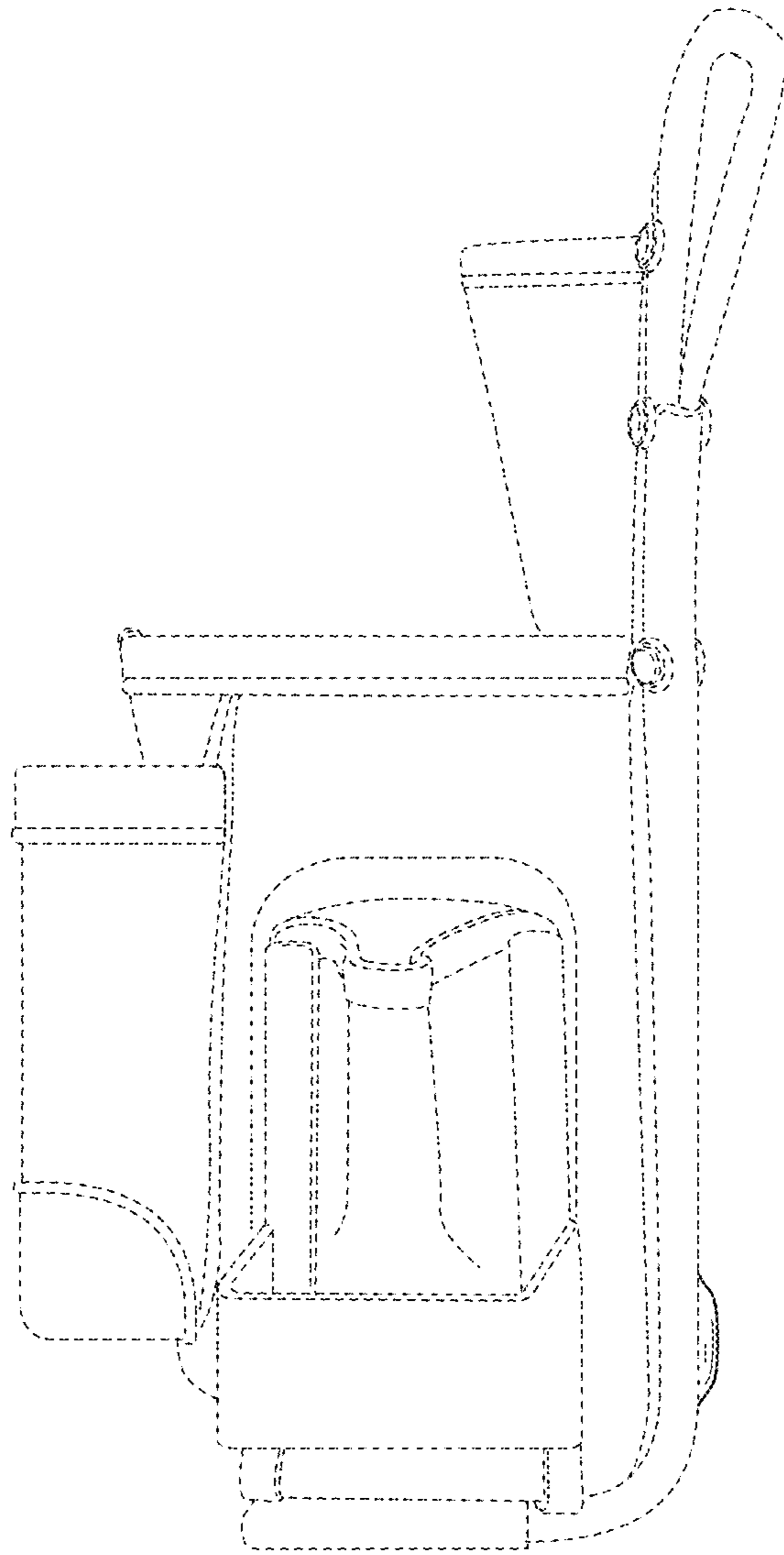


FIG. 3

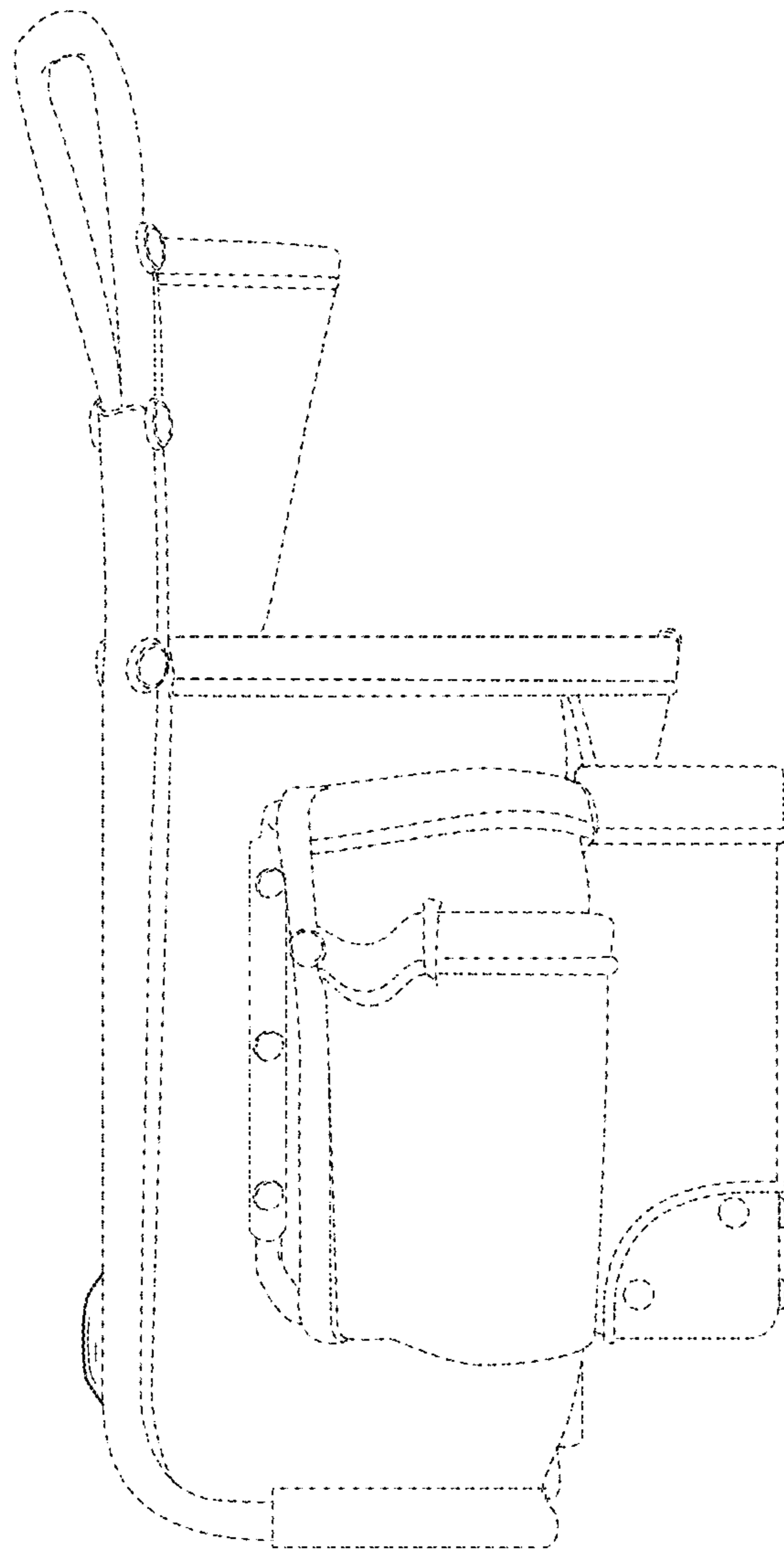


FIG. 4

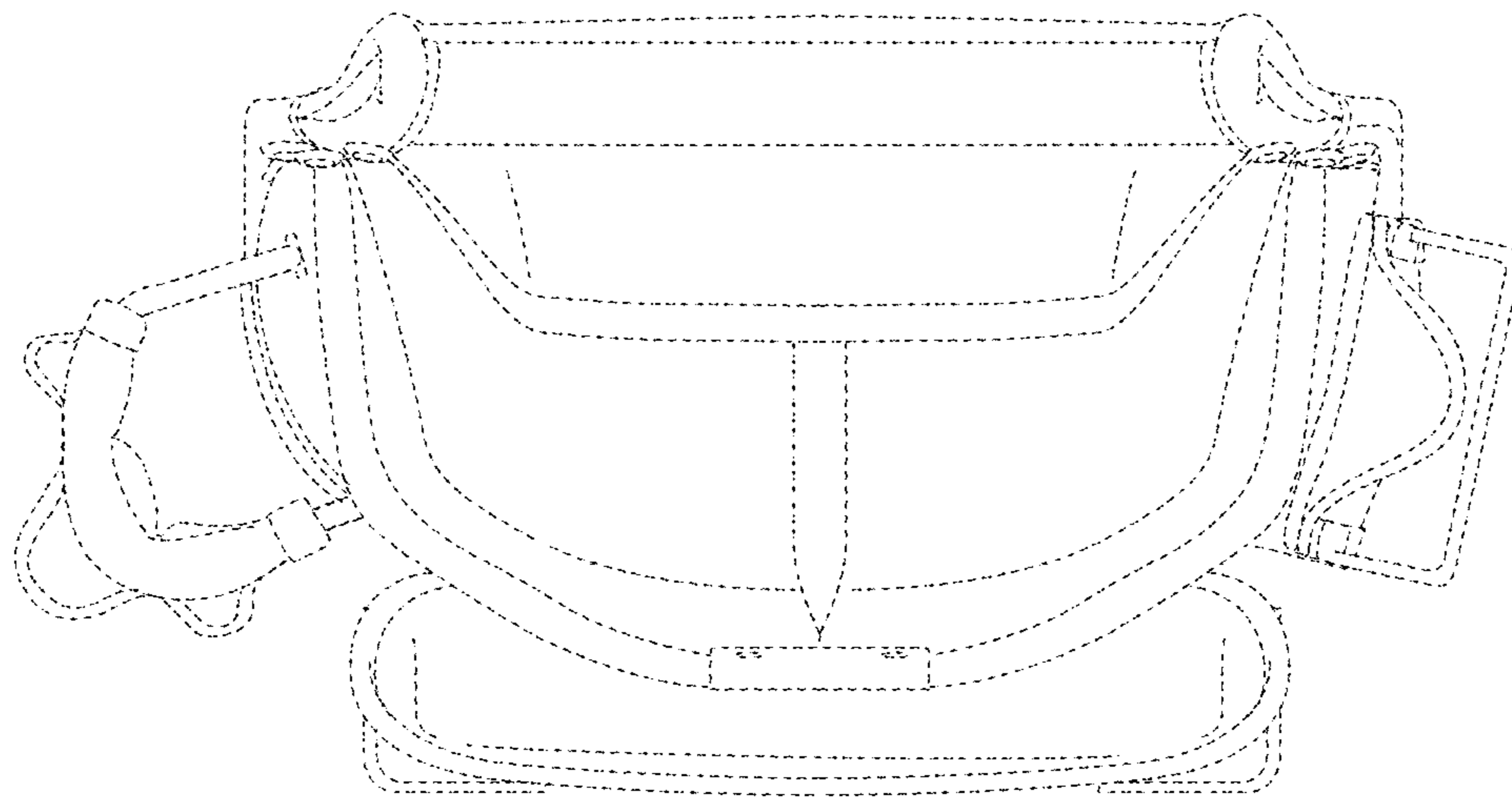


FIG. 5

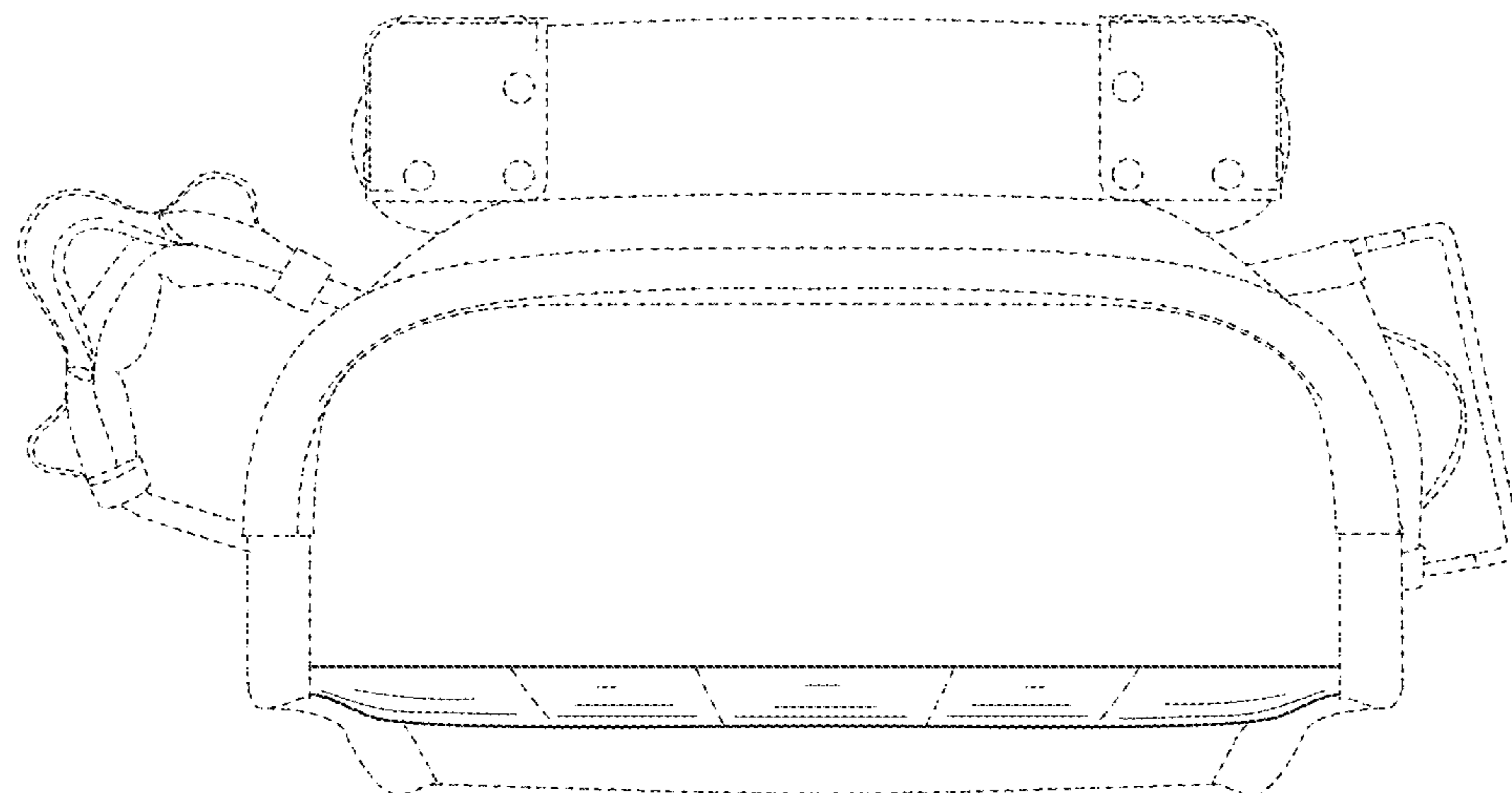


FIG. 6



FIG. 7

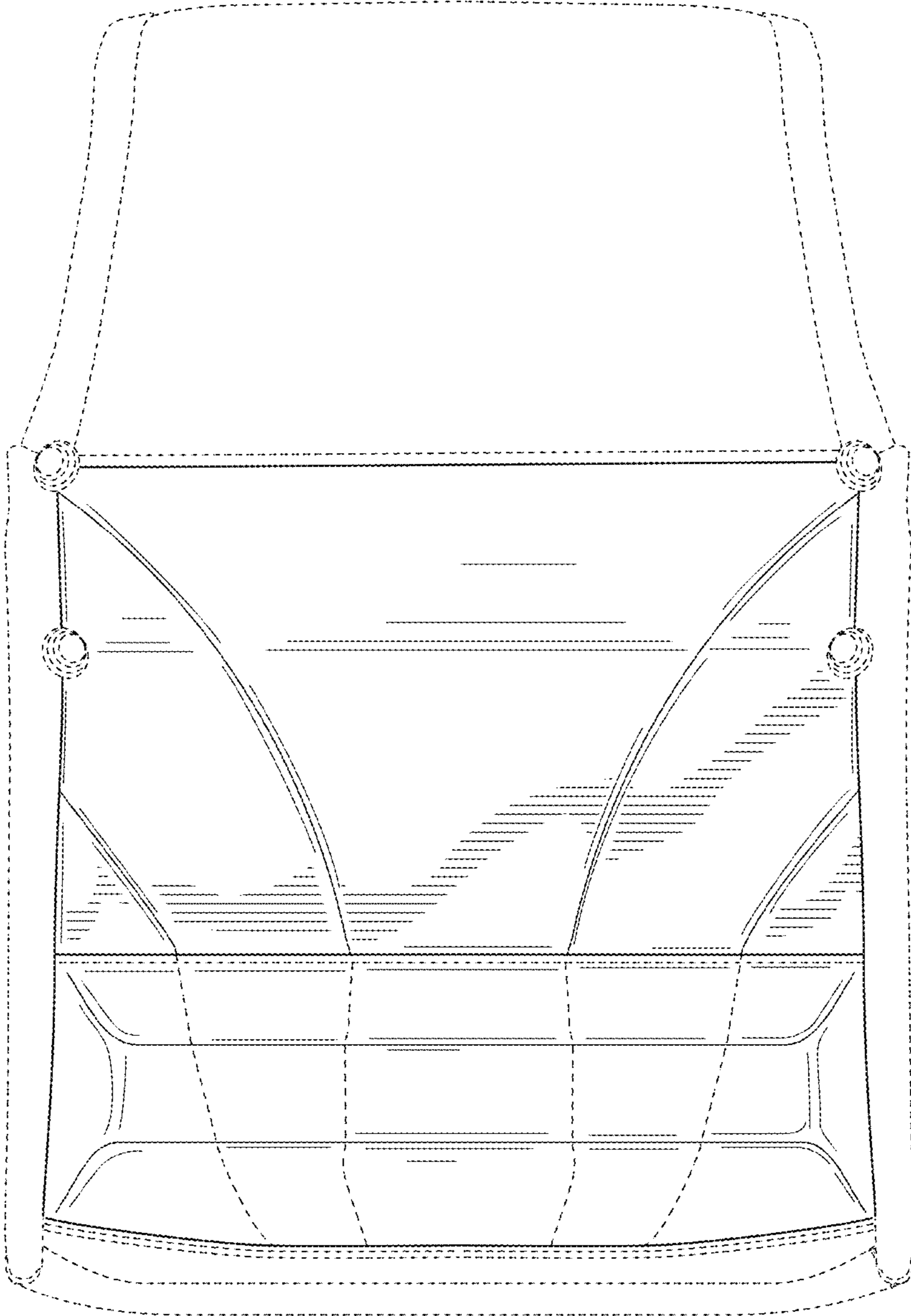


FIG. 8

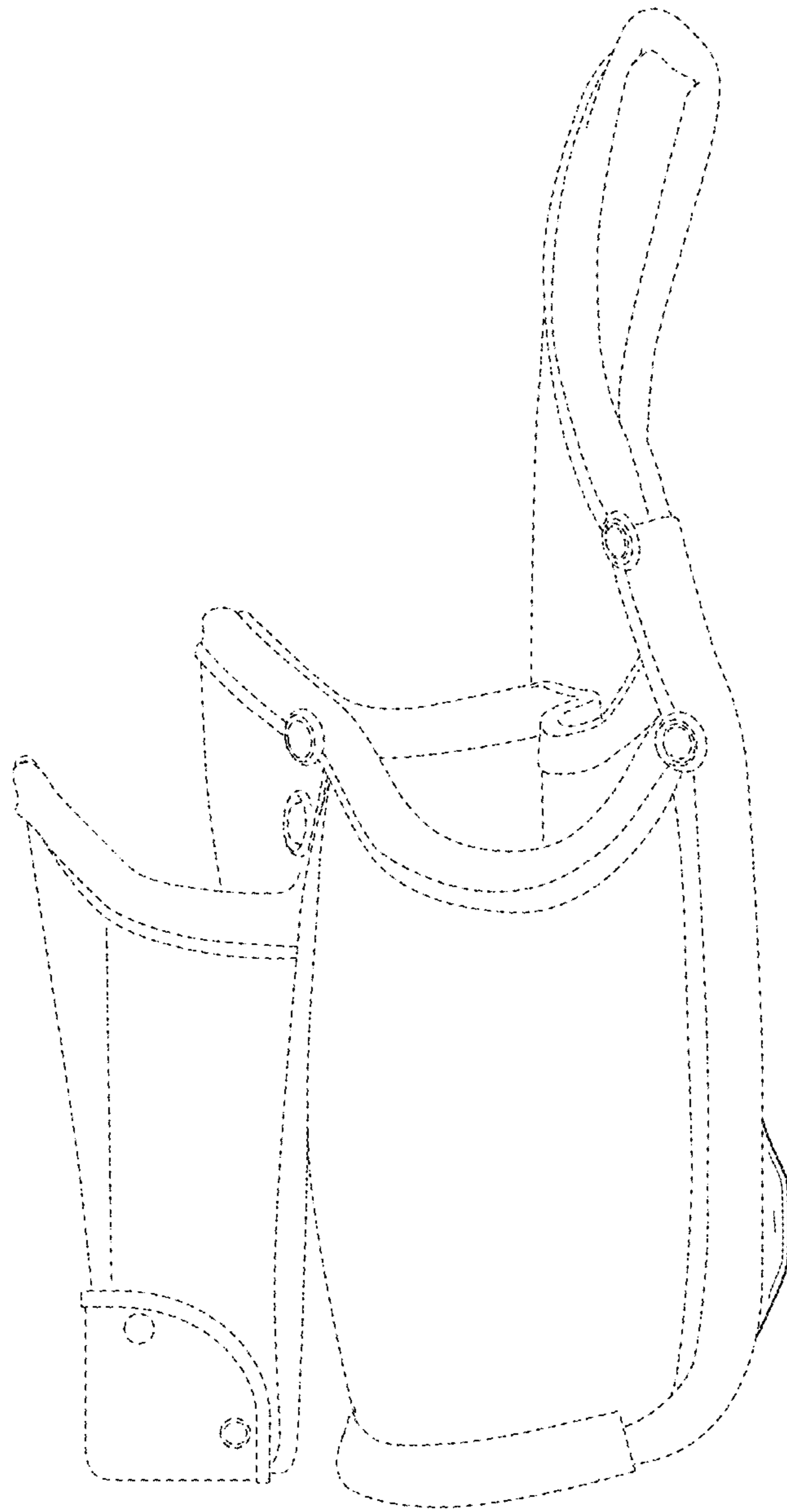


FIG. 9

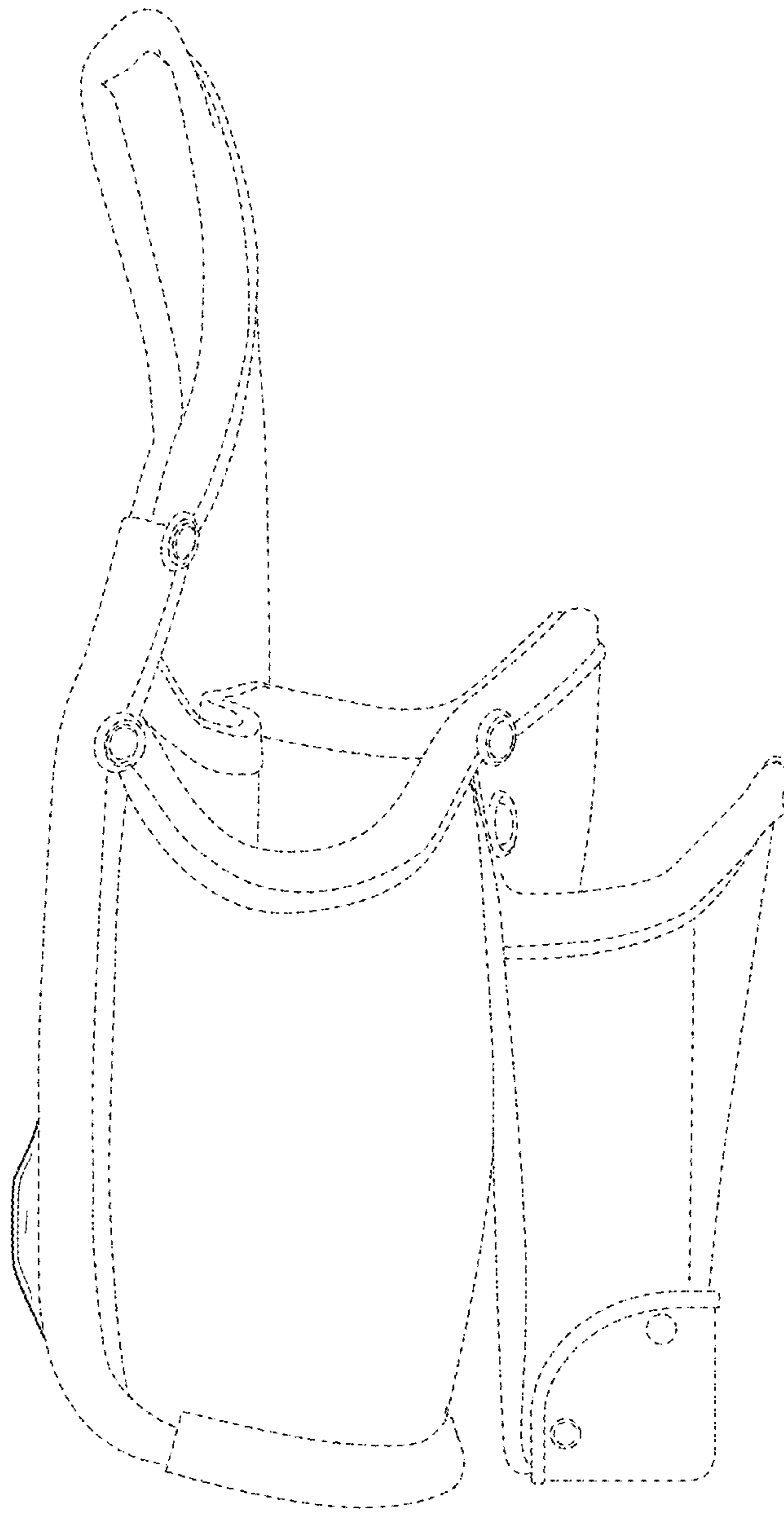


FIG. 10

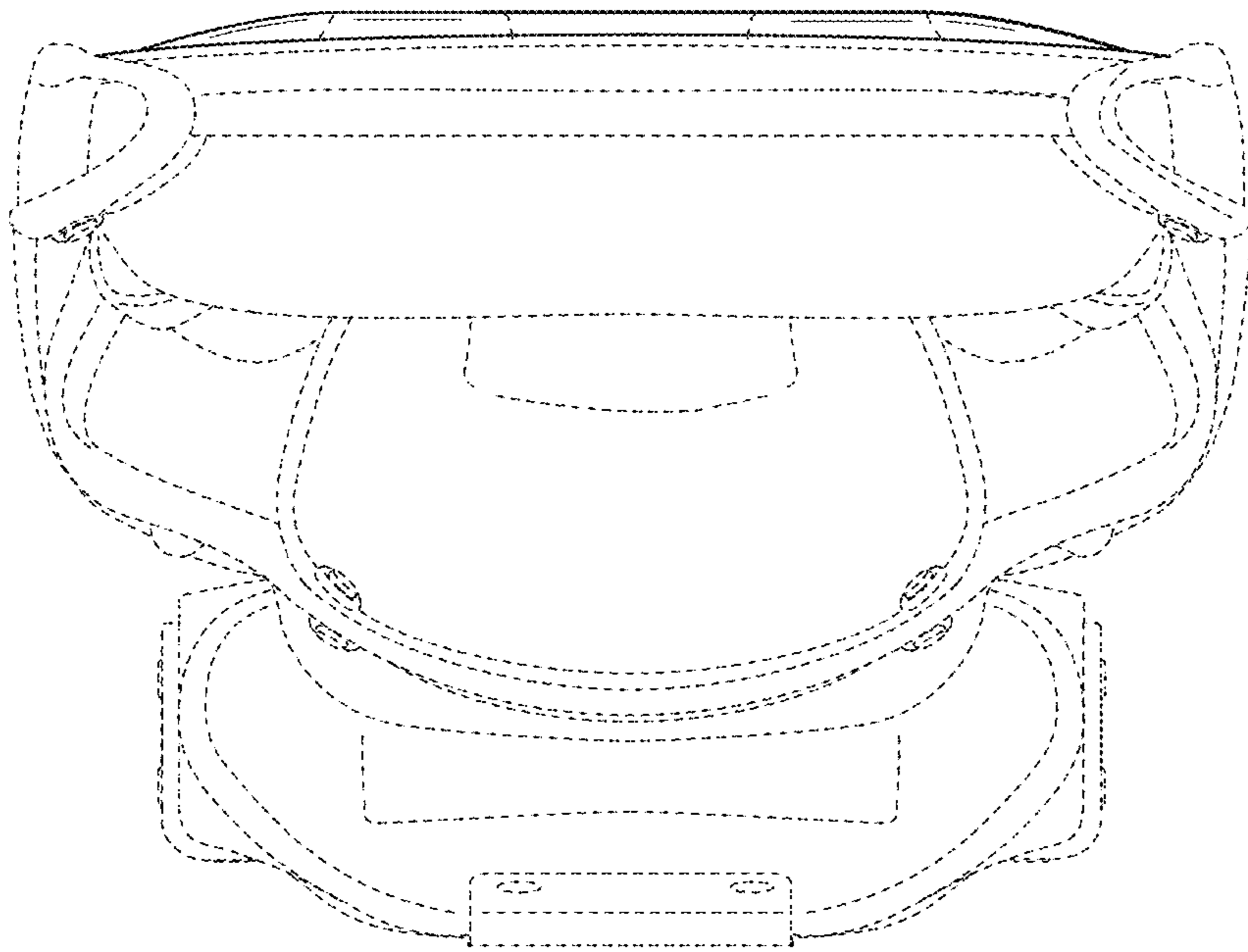


FIG. 11

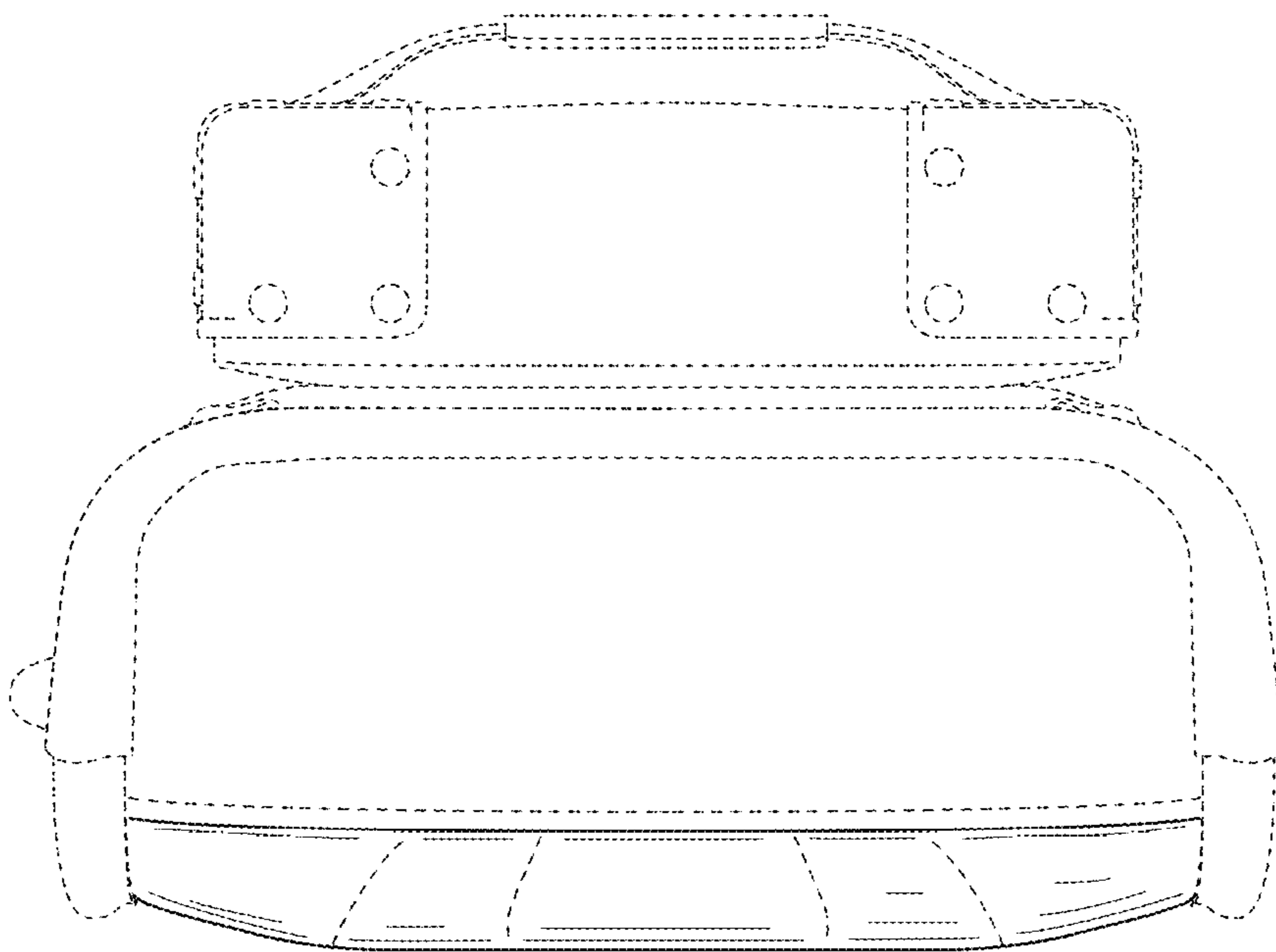


FIG. 12