



US00D773817S

(12) **United States Design Patent**
Hower

(10) **Patent No.:** **US D773,817 S**

(45) **Date of Patent:** **** Dec. 13, 2016**

(54) **STORAGE AND CARRYING CASE FOR A
FIRE EXTINGUISHER CANISTER**

(71) Applicant: **Stephen Hower**, Sullivan, IL (US)

(72) Inventor: **Stephen Hower**, Sullivan, IL (US)

(**) Term: **14 Years**

(21) Appl. No.: **29/485,926**

(22) Filed: **Mar. 25, 2014**

(51) **LOC (10) Cl.** **03-01**

(52) **U.S. Cl.**

USPC **D3/316**; D3/282; D3/294; D3/905

(58) **Field of Classification Search**

USPC D3/316, 315, 905, 203.7, 273, 272,
276, D3/282, 288, 284, 291, 294, 281;
D6/559; D29/125, 126, 129, 130

(Continued)

(56) **References Cited**

U.S. PATENT DOCUMENTS

D250,377 S 11/1978 Dooley
D275,822 S * 10/1984 Gatland D3/282
(Continued)

OTHER PUBLICATIONS

Google image search. "Gas Cylinder Hard Carrying Case" Date restricted to show results prior to Mar. 25, 2014. Accessed Oct. 23, 2015.*

(Continued)

Primary Examiner — Jennifer Rivard

Assistant Examiner — April Rivas

(74) *Attorney, Agent, or Firm* — CreatiVenture Law;
Linda L. Lewis

(57) **CLAIM**

The ornamental design for a storage and carrying case for a fire extinguisher canister, as shown and described.

DESCRIPTION

FIG. 1 is a perspective view of a first embodiment of a storage and carrying case for a fire extinguisher canister in a closed position.

FIG. 2 is bottom view of the case of FIG. 1.

FIG. 3 is a top view thereof;

FIG. 4 is an end view thereof, the opposite end view being identical thereto;

FIG. 5 is a front side view thereof;

FIG. 6 is a back side view thereof;

FIG. 7 is a perspective view of a first embodiment of a storage and carrying case for a fire extinguisher canister in an open position;

FIG. 8 is a top view of the case of FIG. 7;

FIG. 9 is a bottom view thereof;

FIG. 10 is an end view thereof, the opposite end view being identical thereto;

FIG. 11 is a front side view thereof;

FIG. 12 is a back side view thereof;

FIG. 13 is a perspective view of a second embodiment of a storage and carrying case for a fire extinguisher canister in a closed position;

FIG. 14 is a bottom view of the case of FIG. 13;

FIG. 15 is a top view thereof;

FIG. 16 is a handle end view thereof;

FIG. 17 is a second end view thereof;

FIG. 18 is a front side view thereof;

FIG. 19 is a back side view thereof;

FIG. 20 is a perspective view of a second embodiment of a storage and carrying case for a fire extinguisher canister in an open position;

FIG. 21 is a top view of the case of FIG. 20;

FIG. 22 is a bottom view thereof;

FIG. 23 is a handle end view thereof;

FIG. 24 is a second end view thereof;

FIG. 25 is a front side view thereof; and,

FIG. 26 is a back side view thereof.

The broken lines illustrate portions of the storage and carrying case for a fire extinguisher canister and form no part of the claimed design.

1 Claim, 26 Drawing Sheets

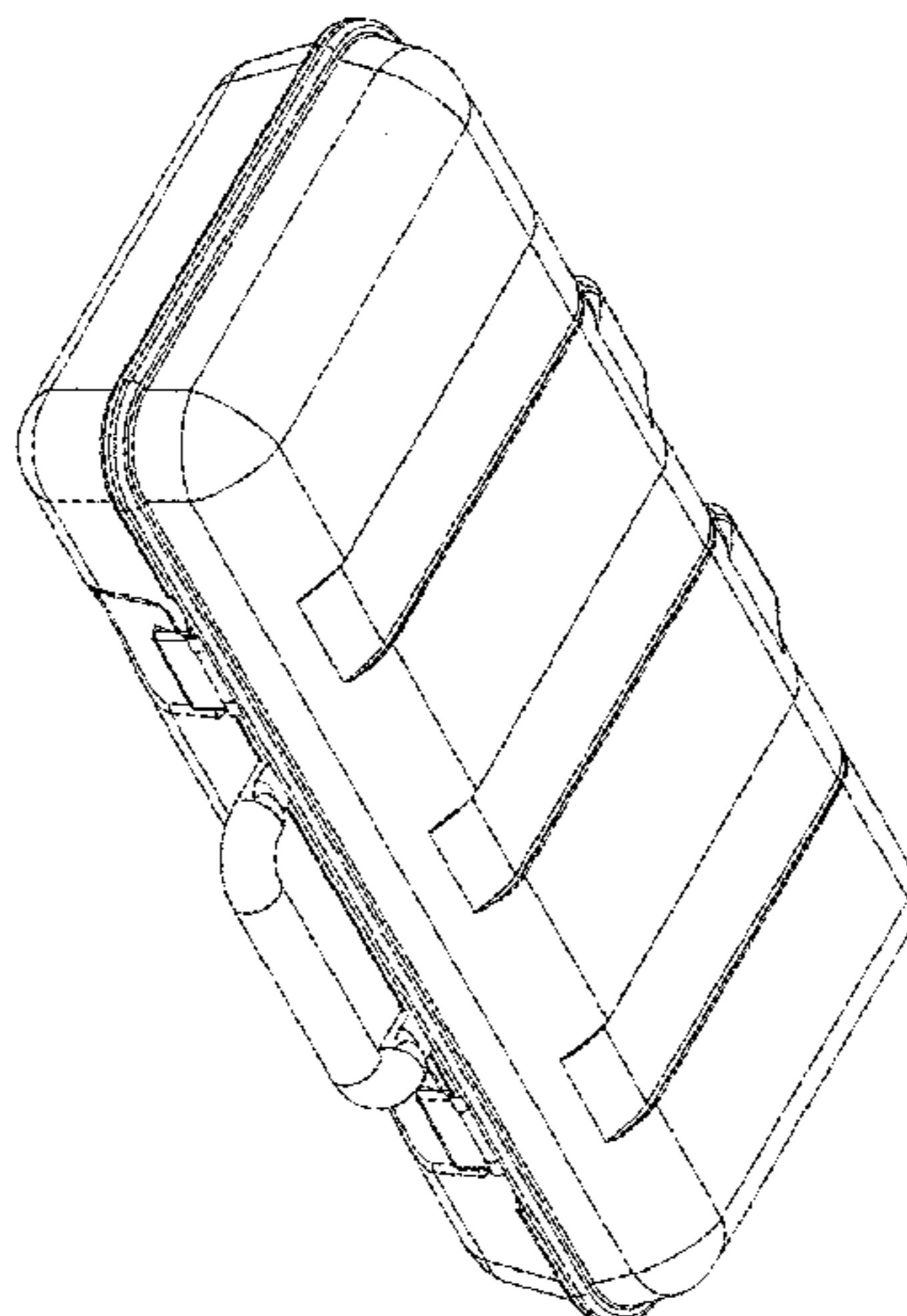


Figure 1

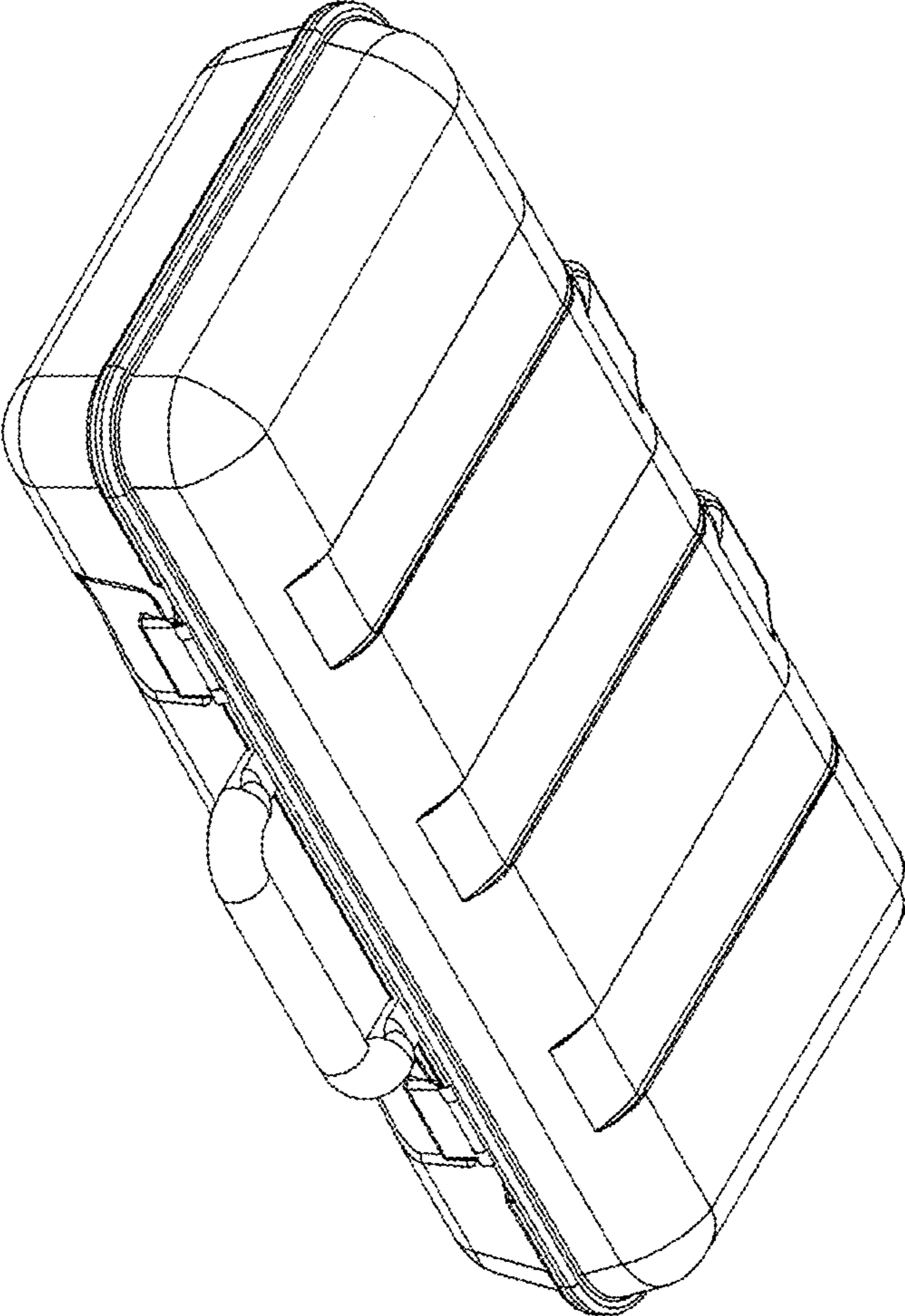


Figure 2

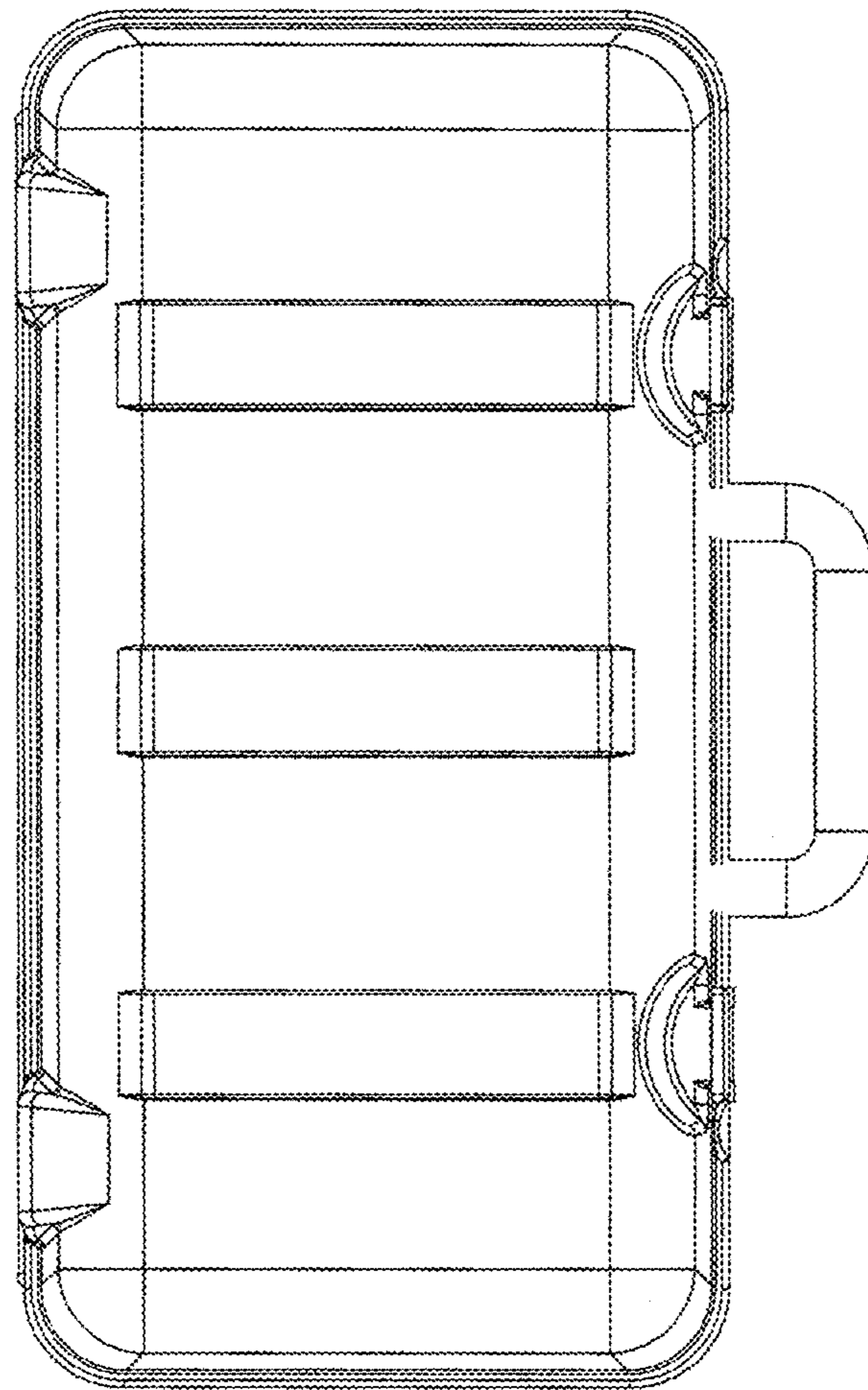


Figure 3

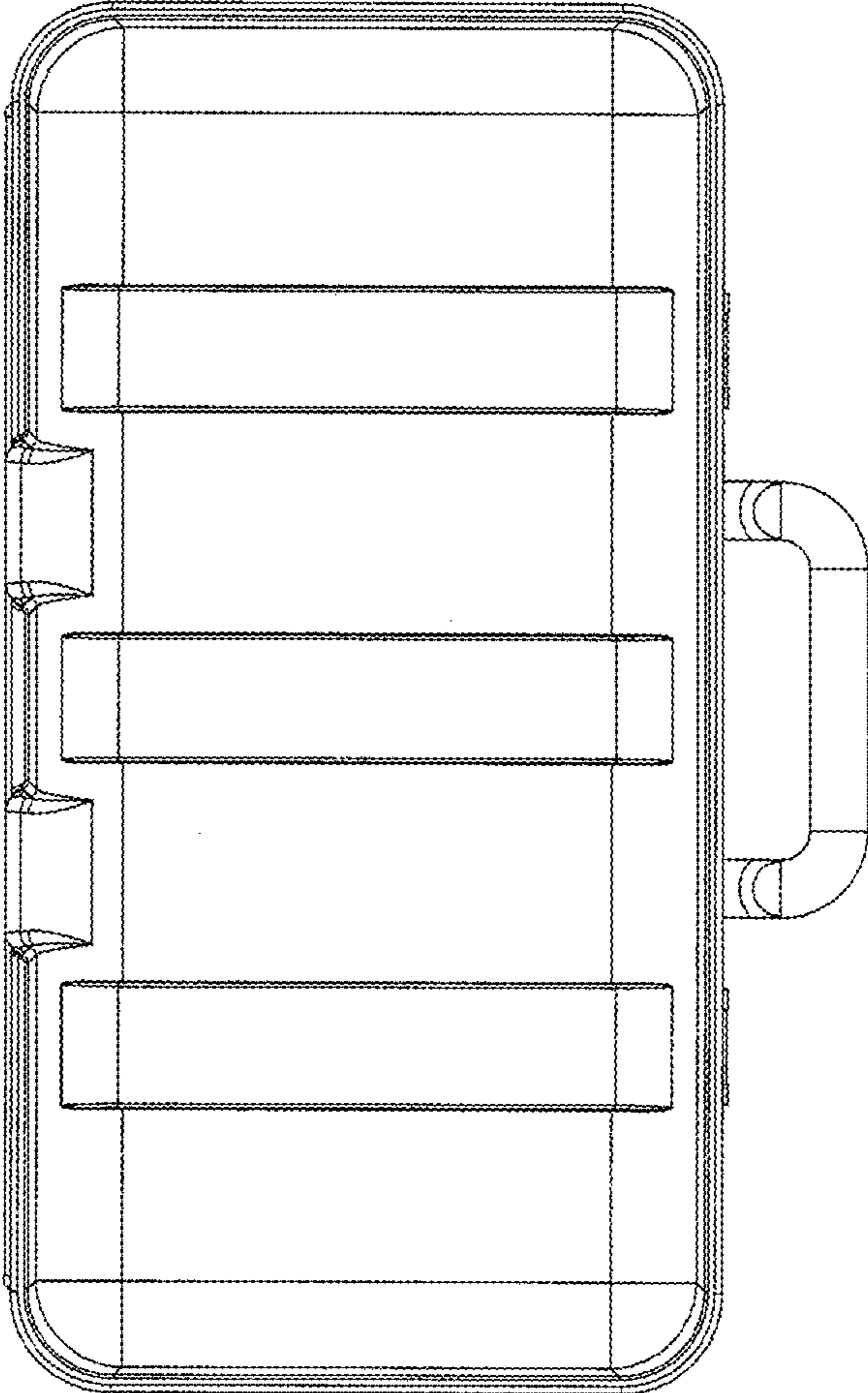


Figure 4

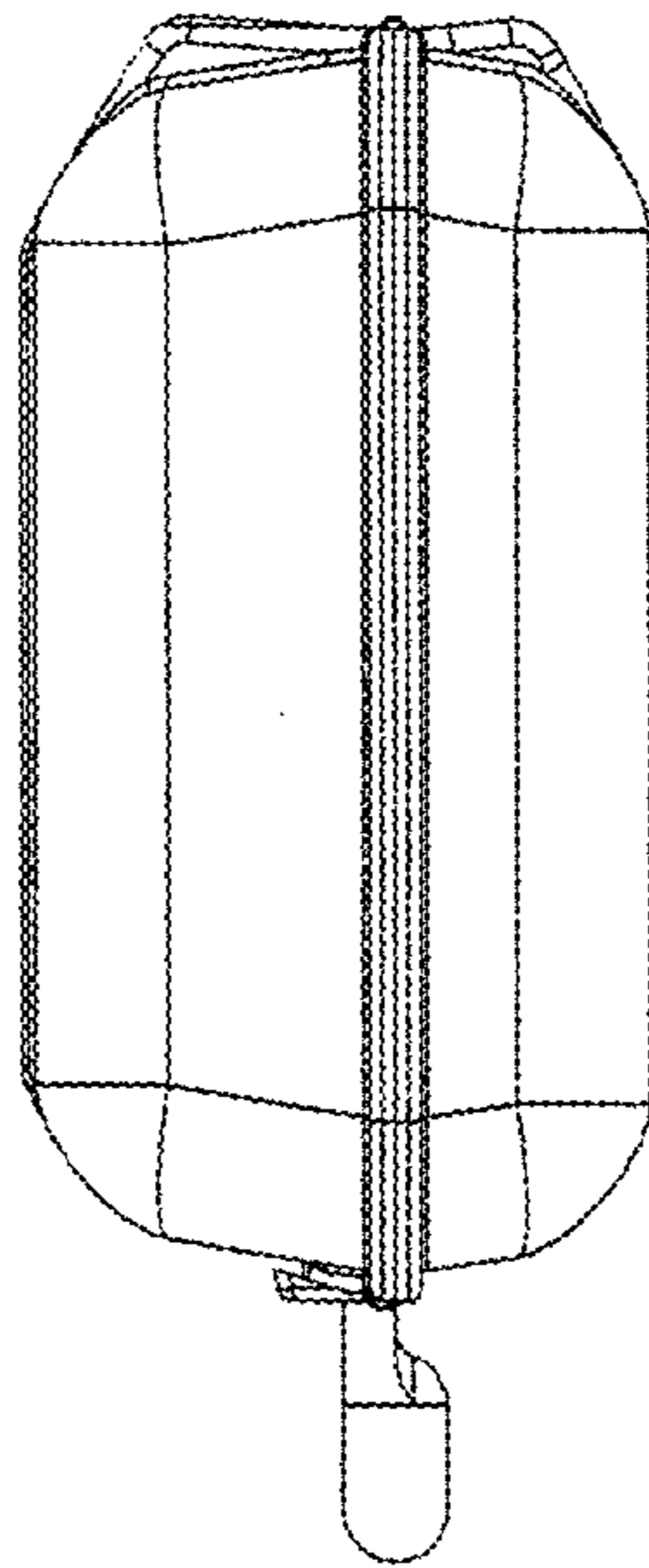


Figure 5

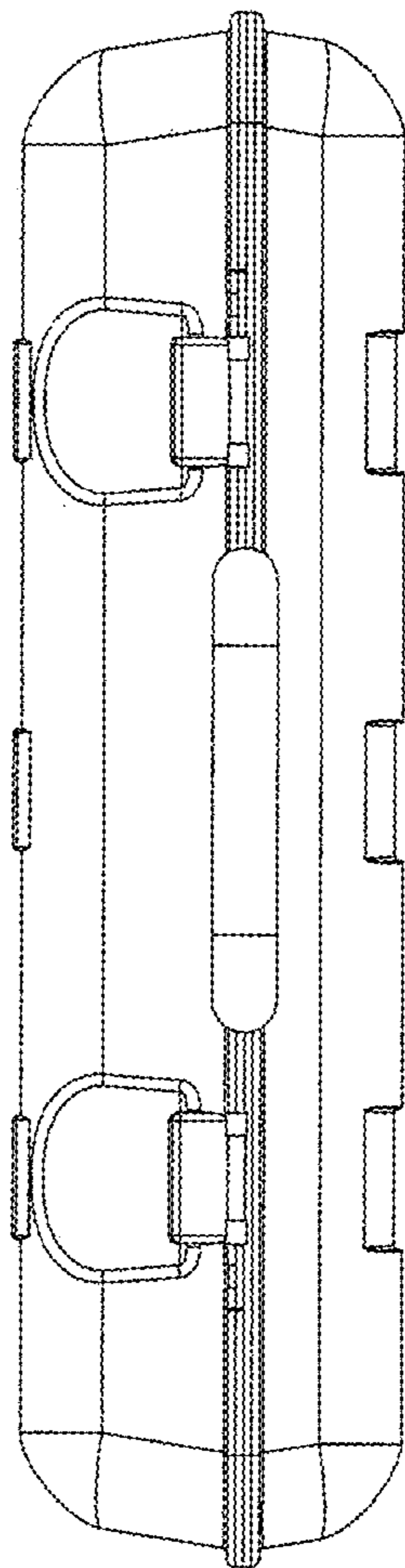


Figure 6

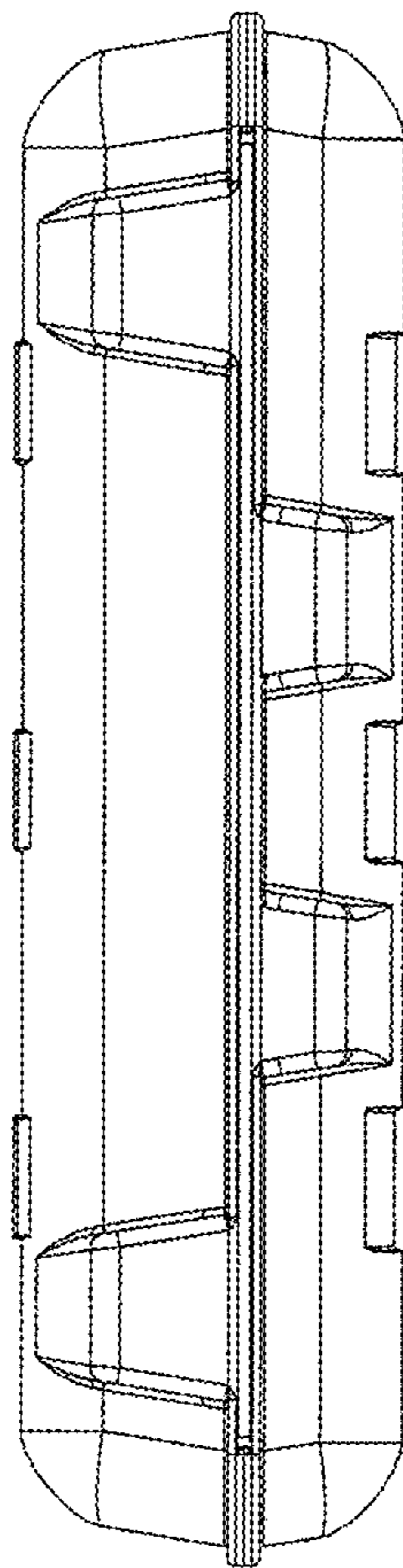


Figure 7

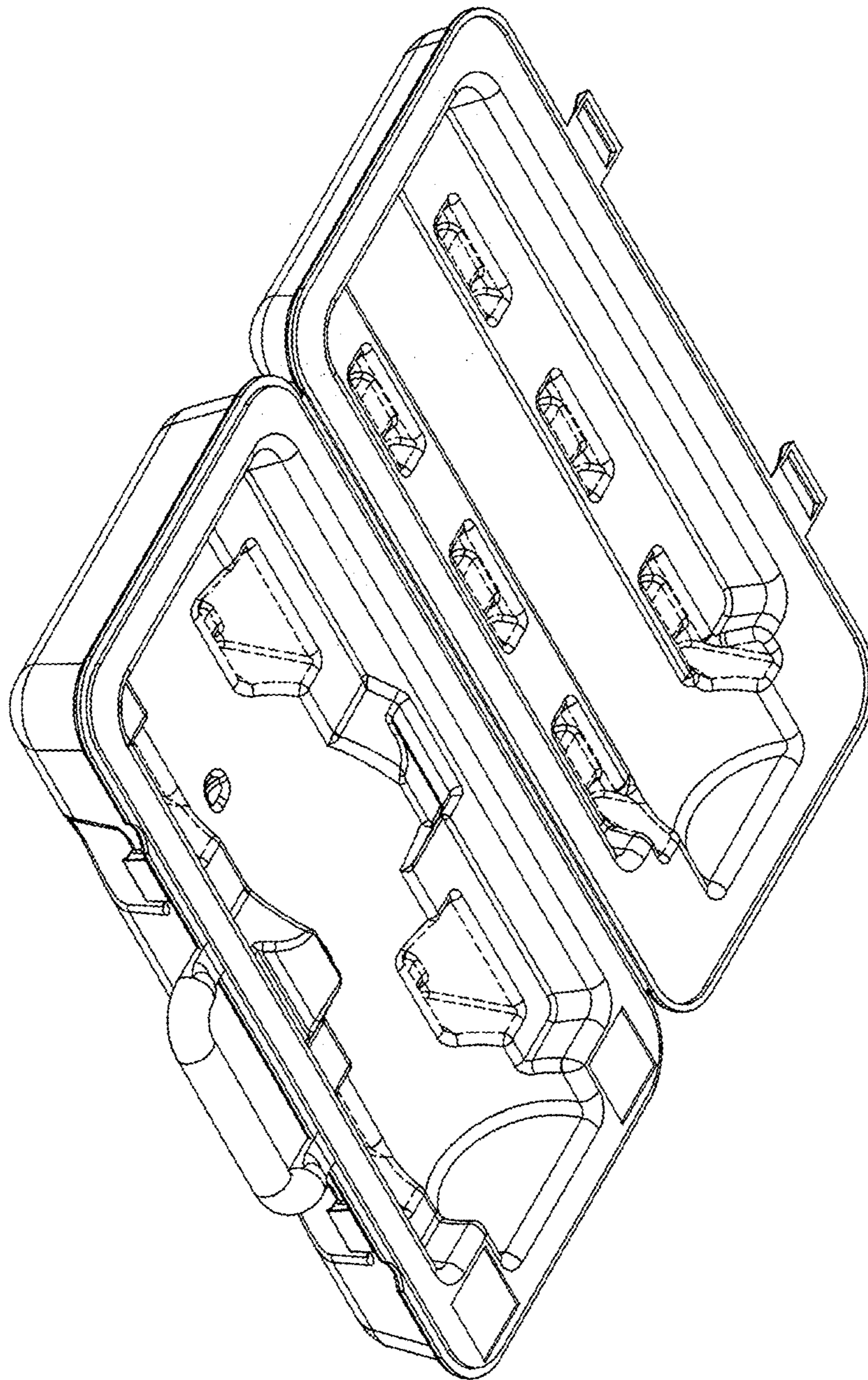


Figure 8

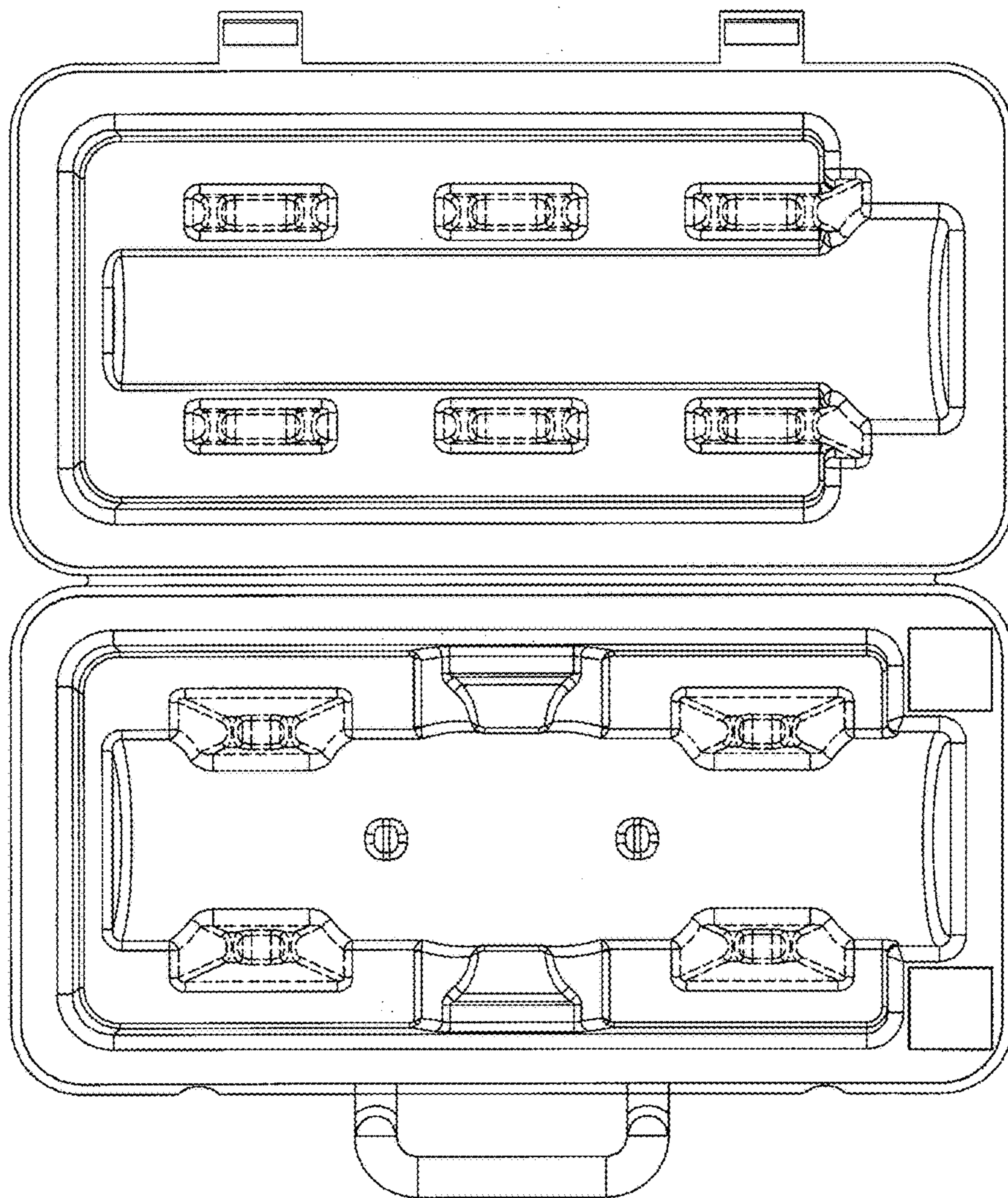


Figure 9

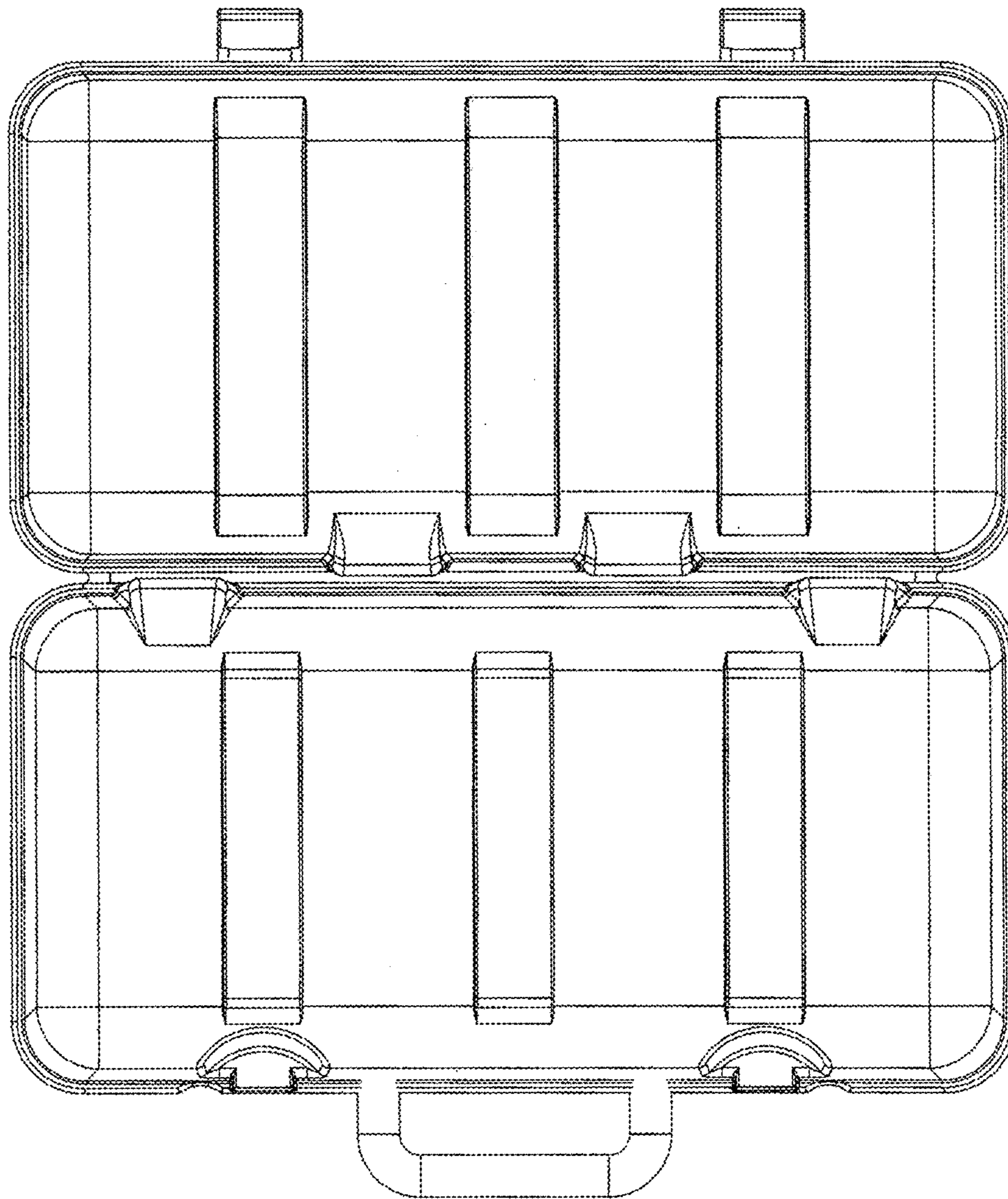


Figure 10

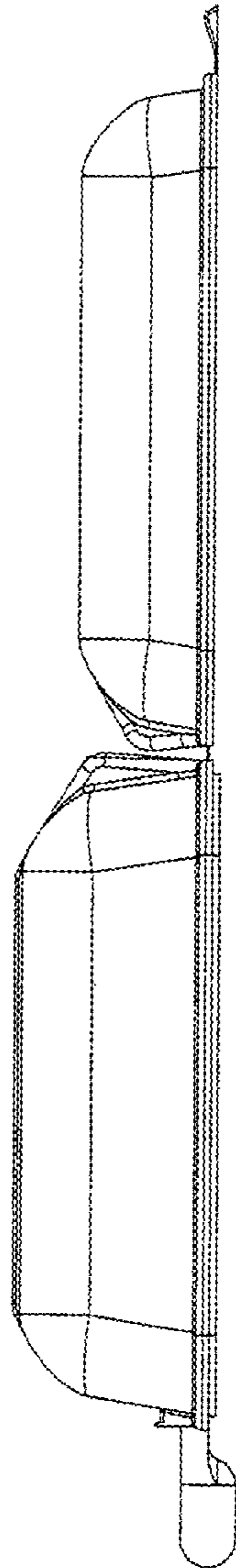


Figure 11

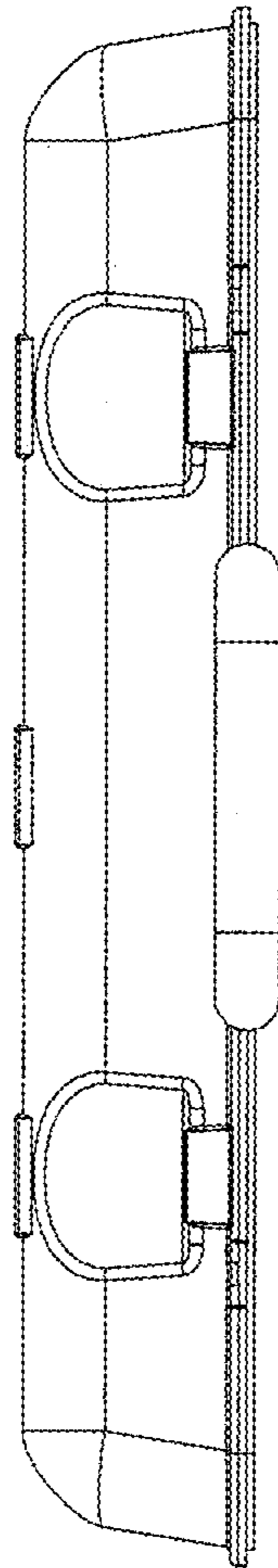


Figure 12

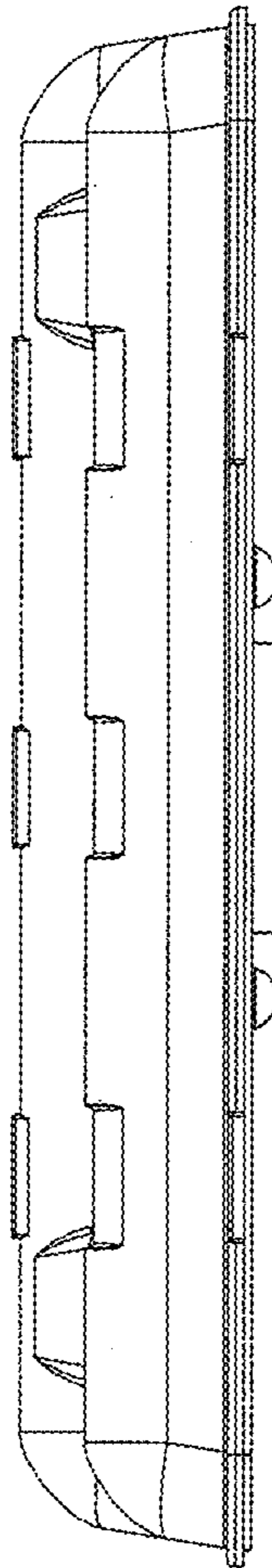


Figure 13

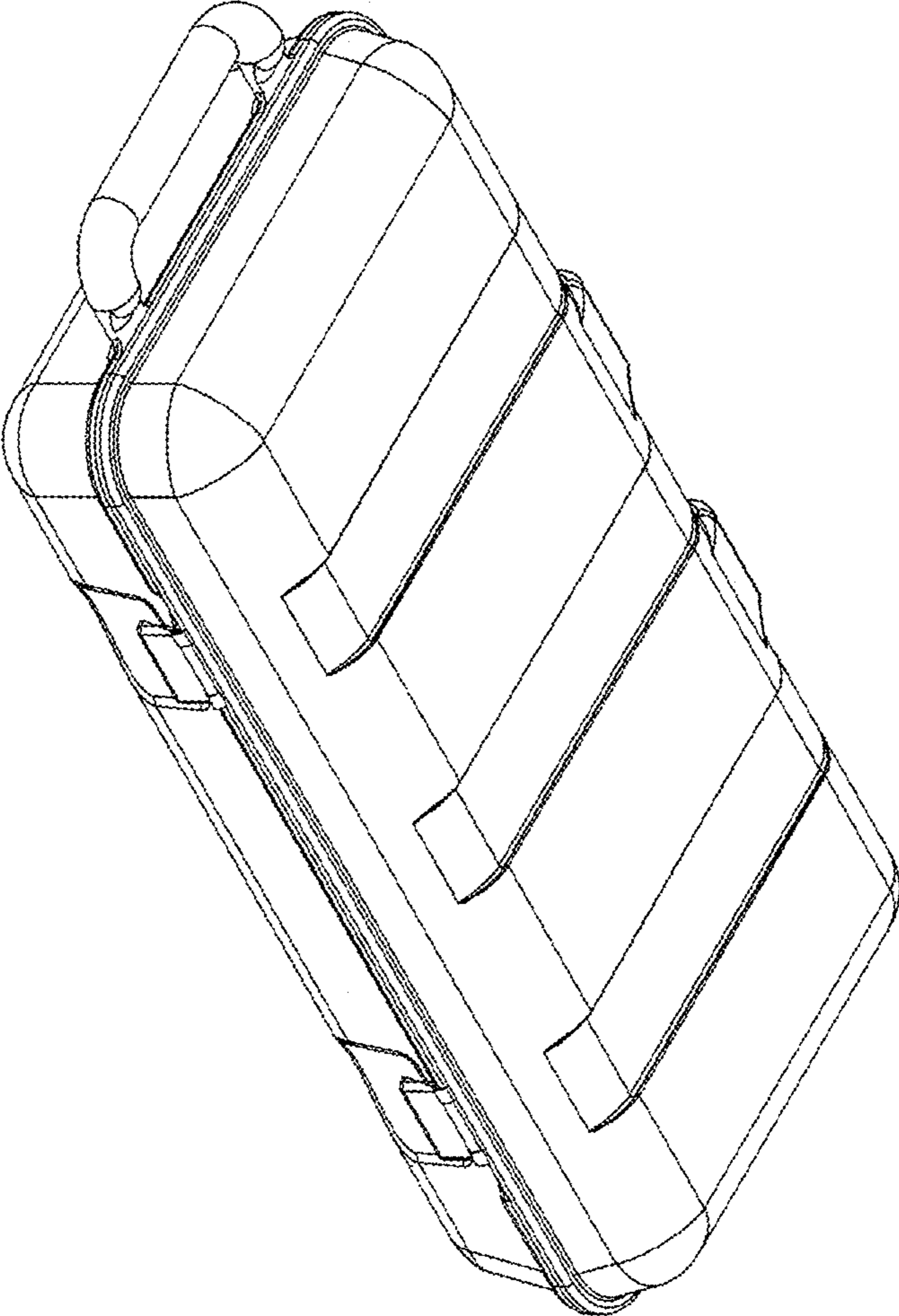


Figure 14

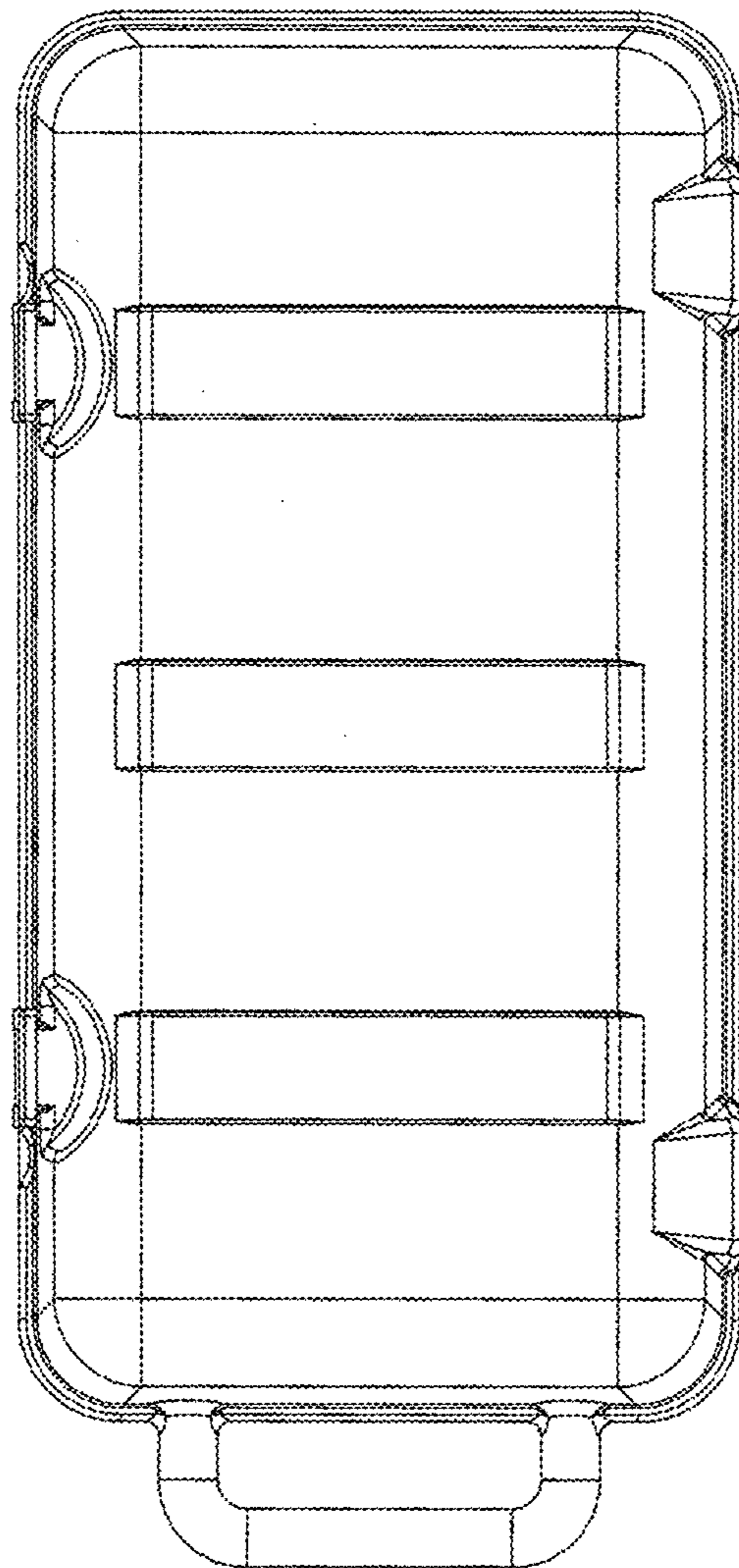


Figure 15

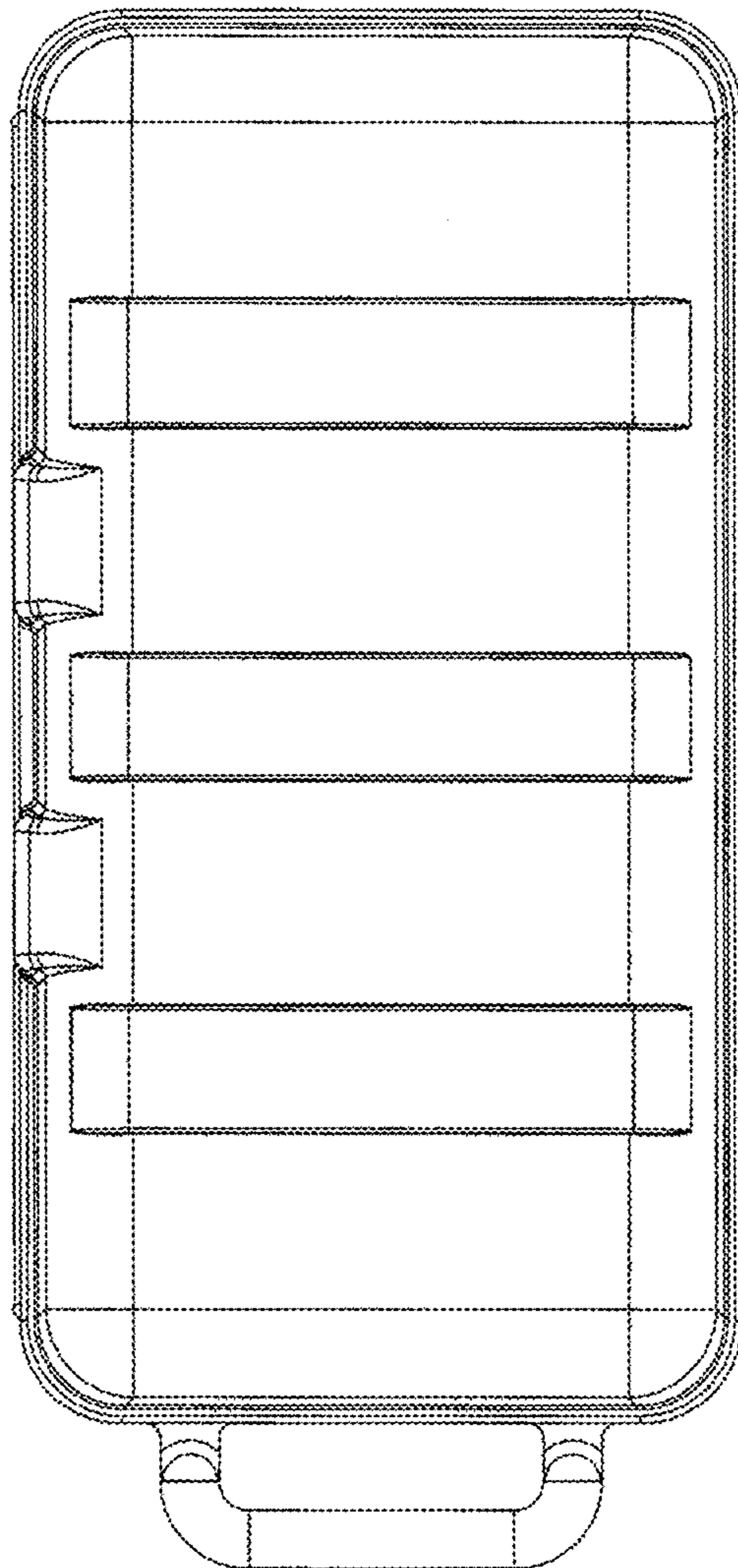


Figure 16

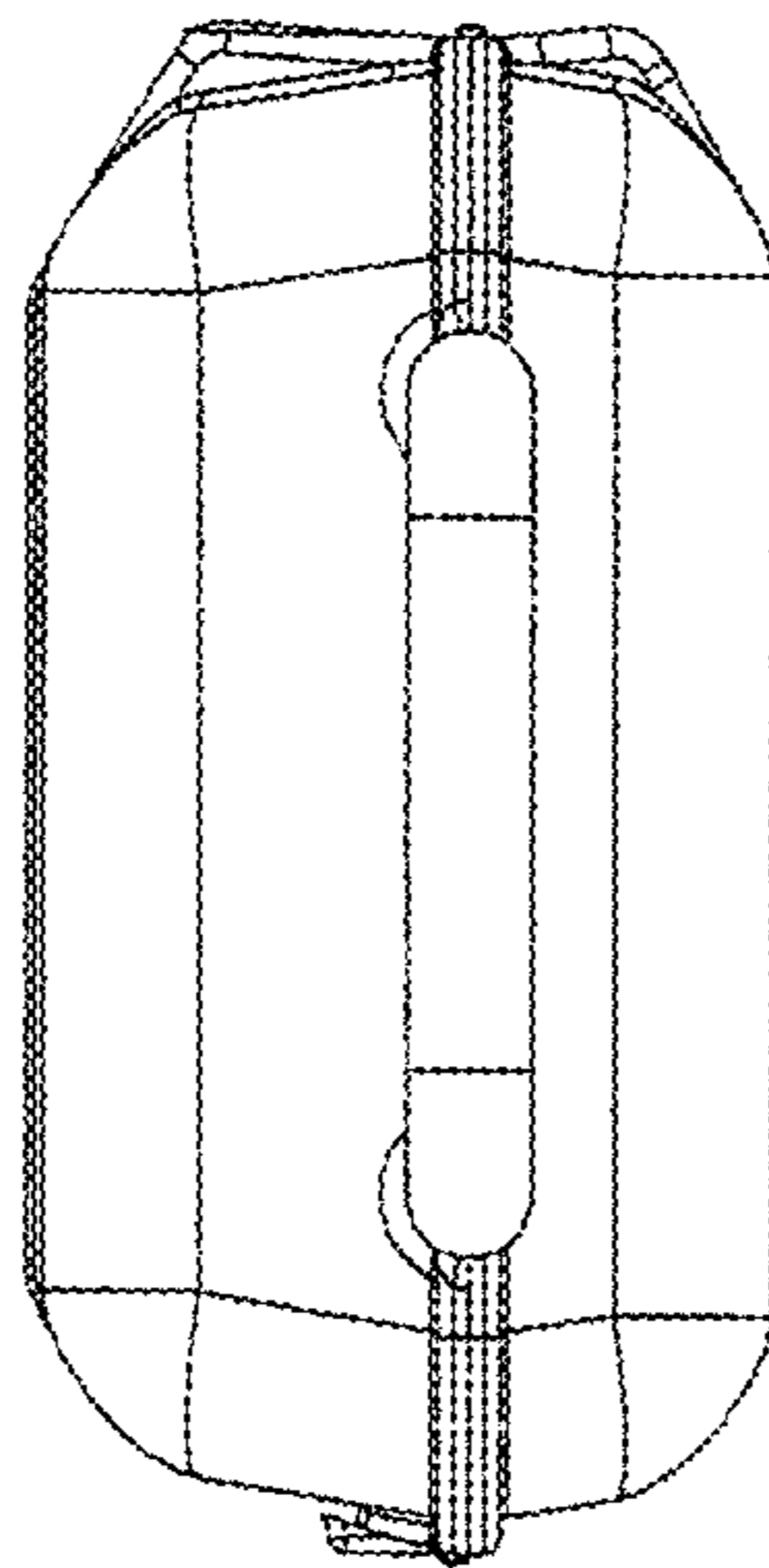


Figure 17

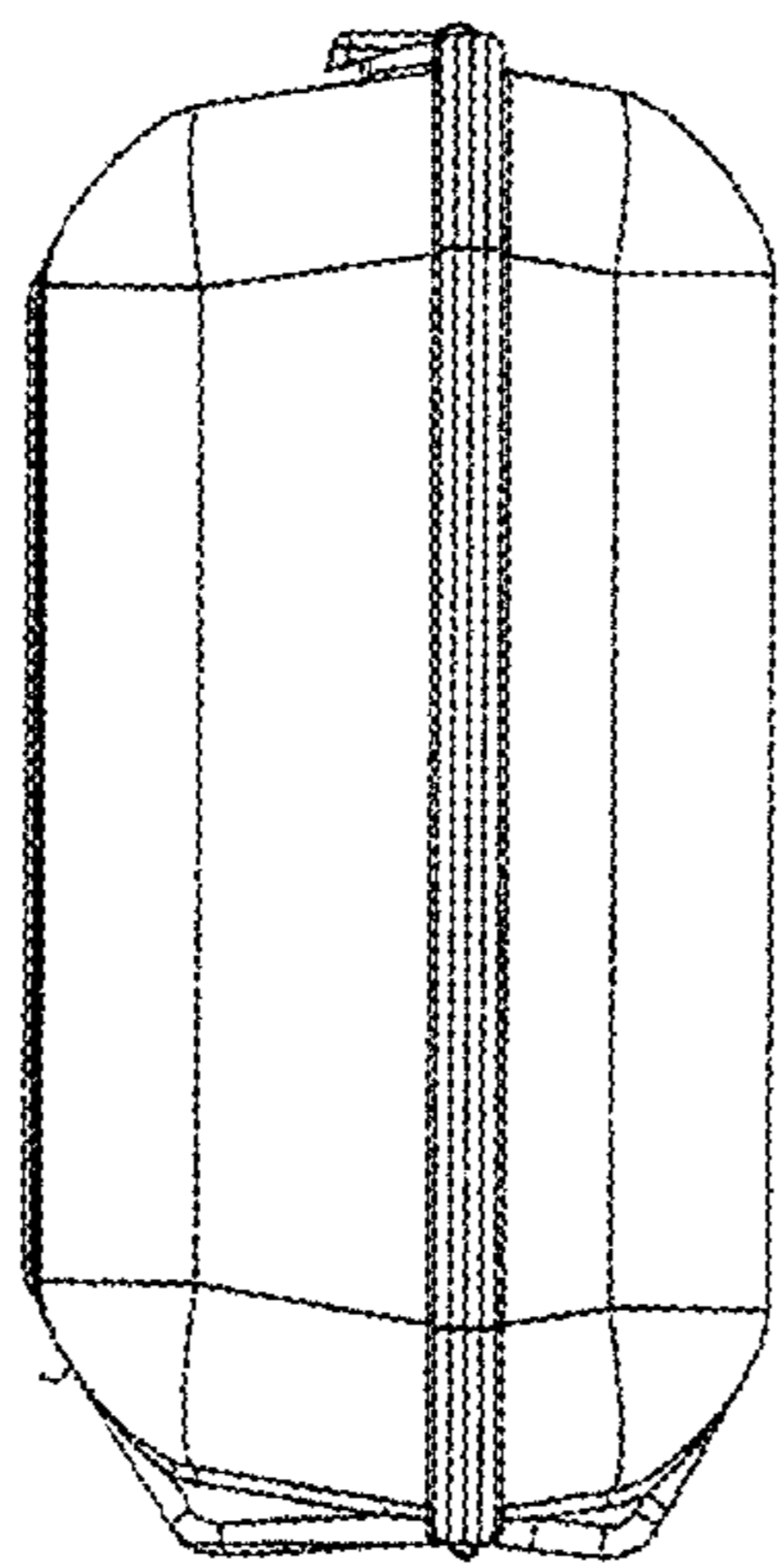


Figure 18

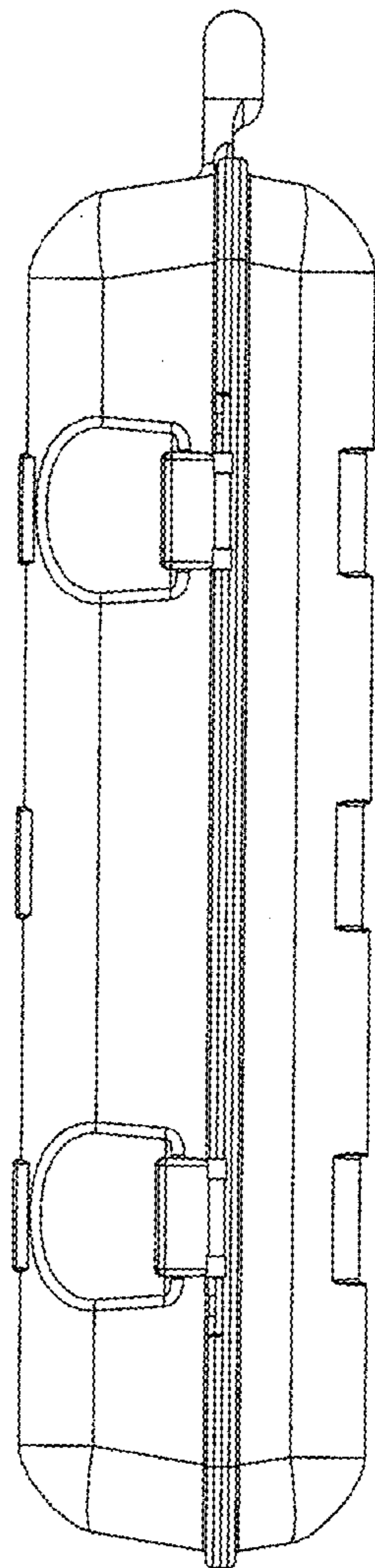


Figure *A*

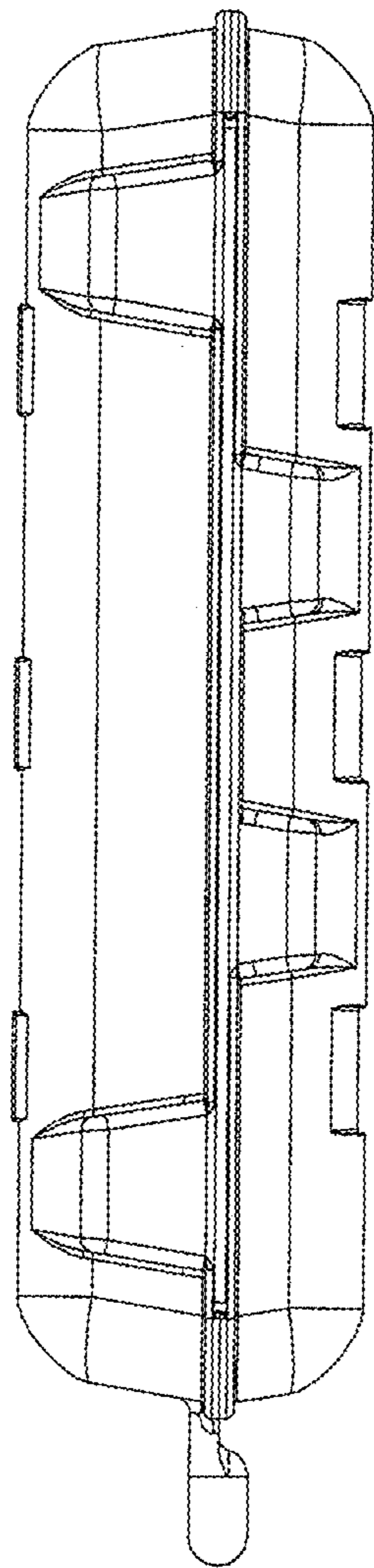


Figure 20

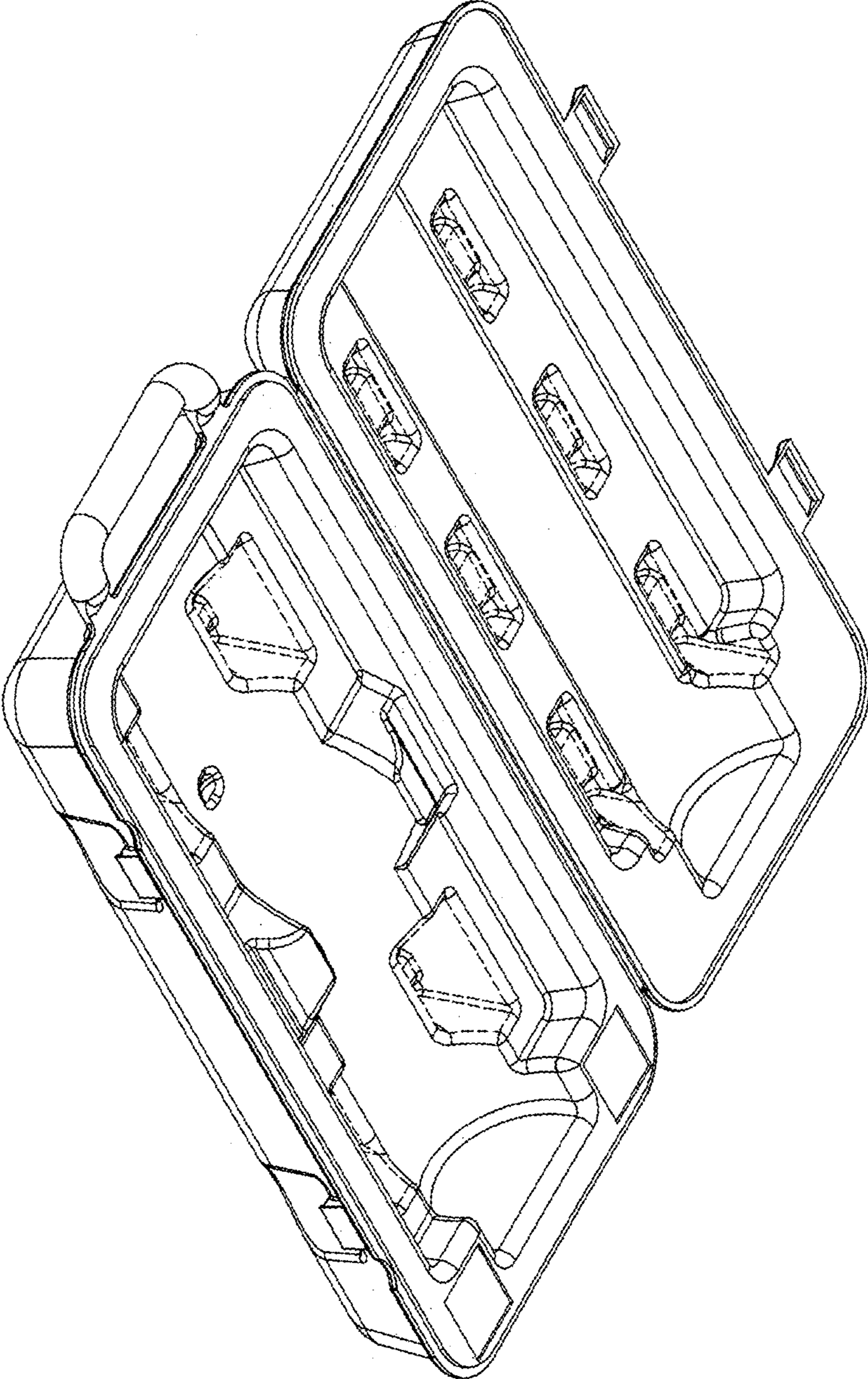


Figure 21

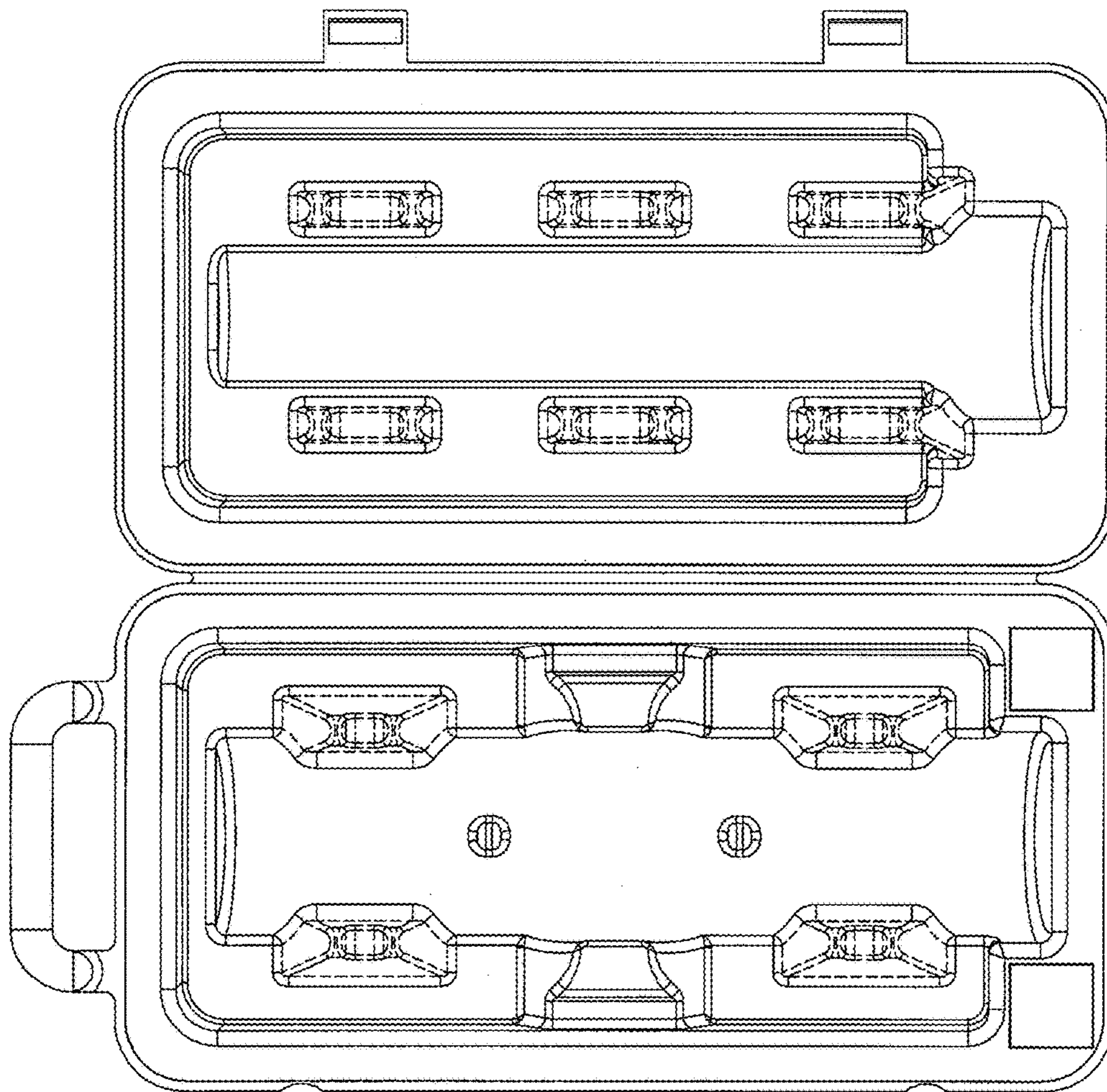


Figure 22



Figure 23

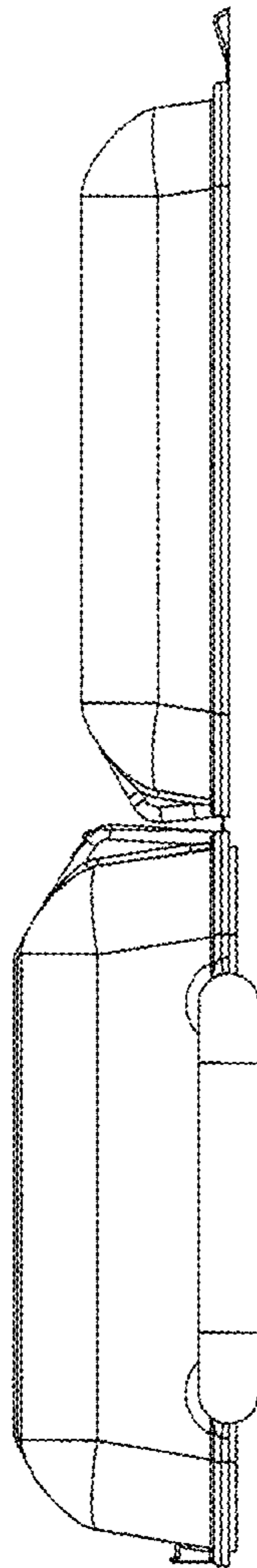


Figure 24

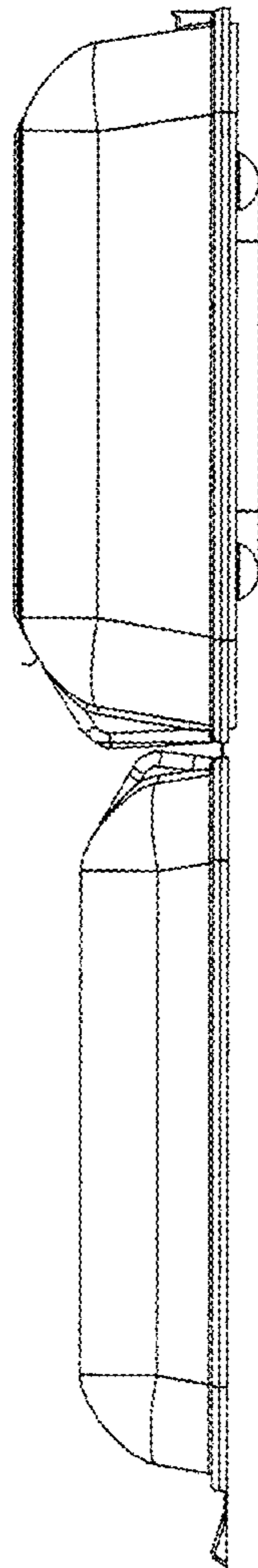


Figure 25

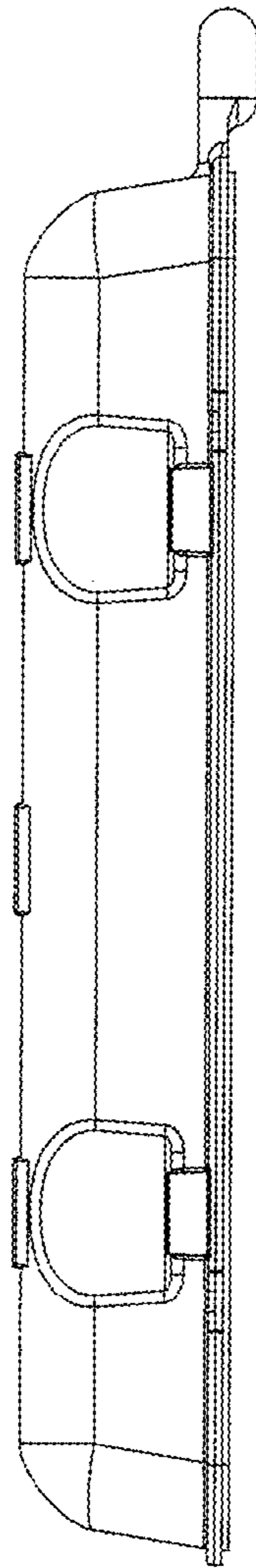


Figure 26

