



US00D773816S

(12) **United States Design Patent** (10) **Patent No.:** **US D773,816 S**
Ghiorghie (45) **Date of Patent:** **** Dec. 13, 2016**

- (54) **HOLDER**
- (71) Applicant: **Interdesign, Inc.**, Solon, OH (US)
- (72) Inventor: **Radu Alexandru Ghiorghie**, Copley, OH (US)
- (73) Assignee: **InterDesign, Inc.**, Solon, OH (US)
- (**) Term: **15 Years**
- (21) Appl. No.: **29/572,862**
- (22) Filed: **Aug. 1, 2016**

D480,427 S *	10/2003	Chen	D19/77
D510,953 S *	10/2005	Chen	D19/77
D511,546 S *	11/2005	Trombly	D19/77
D545,062 S *	6/2007	Nagoya	D4/113
D634,546 S *	3/2011	Horwitz	D3/320
D645,047 S *	9/2011	Wike	D14/447
D651,248 S *	12/2011	Yuan	D19/85
D665,844 S *	8/2012	Chuang	D19/77
D701,394 S *	3/2014	Lin	D6/534
D713,453 S *	9/2014	Chuang	D19/77
D714,572 S *	10/2014	DeChristofaro	D6/528
D718,072 S *	11/2014	Bahler	D6/528
D742,697 S *	11/2015	Switz	D7/557
D744,682 S *	12/2015	Porter	D26/51
D746,619 S *	1/2016	Aller	D6/677
D762,980 S *	8/2016	Aller	D3/304
2009/0084691 A1 *	4/2009	Palacios	A45C 11/36 206/214
2010/0072088 A1 *	3/2010	Palacios	A45C 11/36 206/214

Related U.S. Application Data

- (62) Division of application No. 29/487,228, filed on Apr. 7, 2014, now Pat. No. Des. 767,950.
- (51) **LOC (10) Cl.** **03-01**
- (52) **U.S. Cl.**
USPC **D3/310**
- (58) **Field of Classification Search**
USPC D3/276-284, 291, 294, 295, 302, 304,
D3/307-309, 315, 314, 310, 312;
D7/601-602, 629
CPC B65D 1/22; B65D 2543/00194; B65D
2543/00296; B65D 21/0209
See application file for complete search history.

* cited by examiner

Primary Examiner — Kelley Donnelly
(74) *Attorney, Agent, or Firm* — Calfee, Halter & Griswold LLP

(57) **CLAIM**

I claim the ornamental design for a holder, as shown and described.

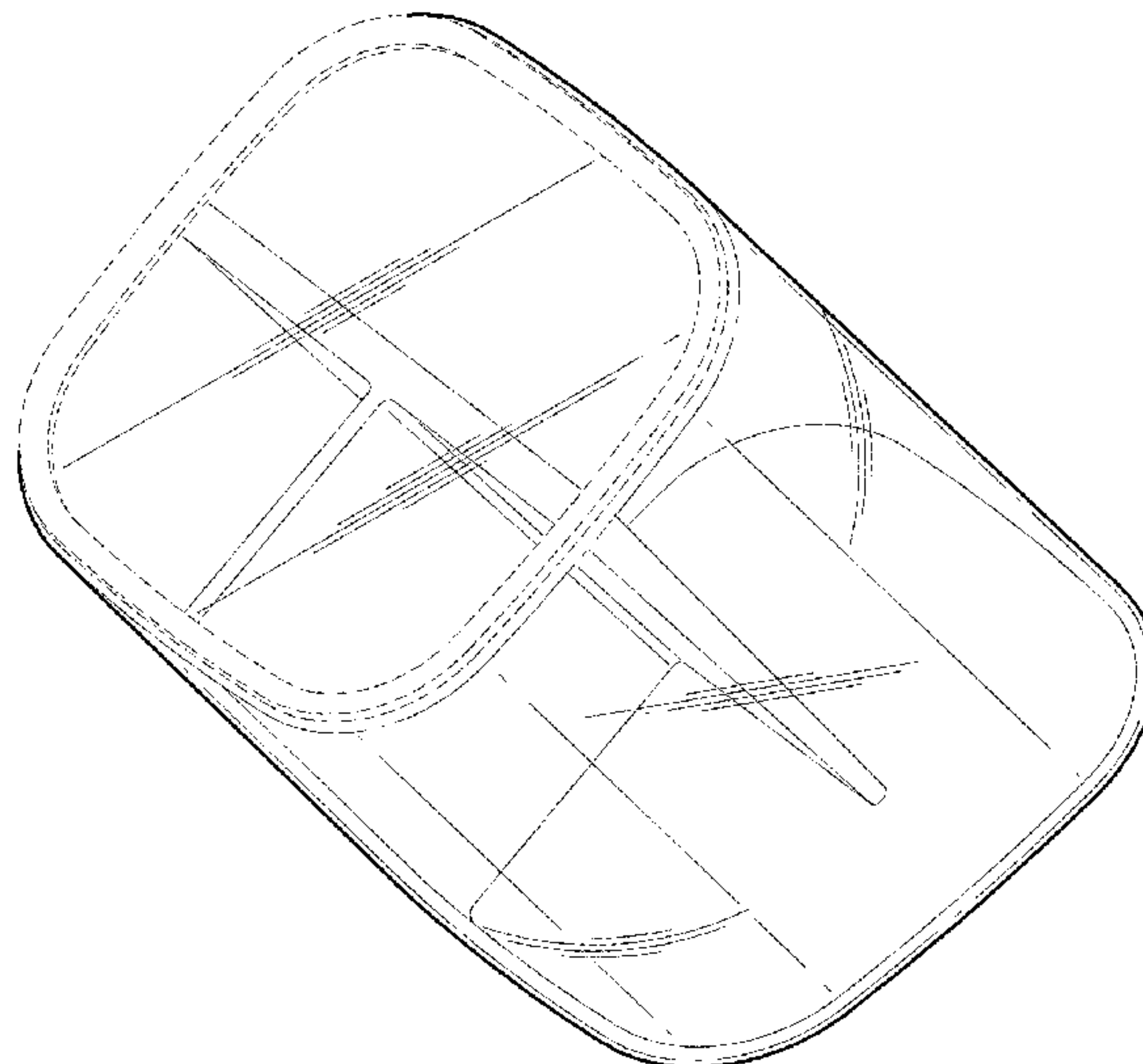
DESCRIPTION

FIG. 1 is a front/left/bottom perspective view of a holder;
FIG. 2 is a front/right/top perspective view thereof;
FIG. 3 is a front elevational view thereof;
FIG. 4 is a rear elevational view thereof;
FIG. 5 is a left side elevational view thereof;
FIG. 6 is a right side elevational view thereof;
FIG. 7 is a top plan view thereof; and,
FIG. 8 is a bottom plan view thereof.

1 Claim, 7 Drawing Sheets

(56) **References Cited**
U.S. PATENT DOCUMENTS

D233,430 S *	10/1974	Saltz	D19/85
D308,076 S *	5/1990	Gecchelin	D19/75
5,224,594 A *	7/1993	Hou	B43M 99/001 206/214
D364,189 S *	11/1995	Trombly	D19/77
D372,146 S *	7/1996	Svee	D19/85
D462,998 S *	9/2002	Slater	D19/77
D477,636 S *	7/2003	Chen	D19/77



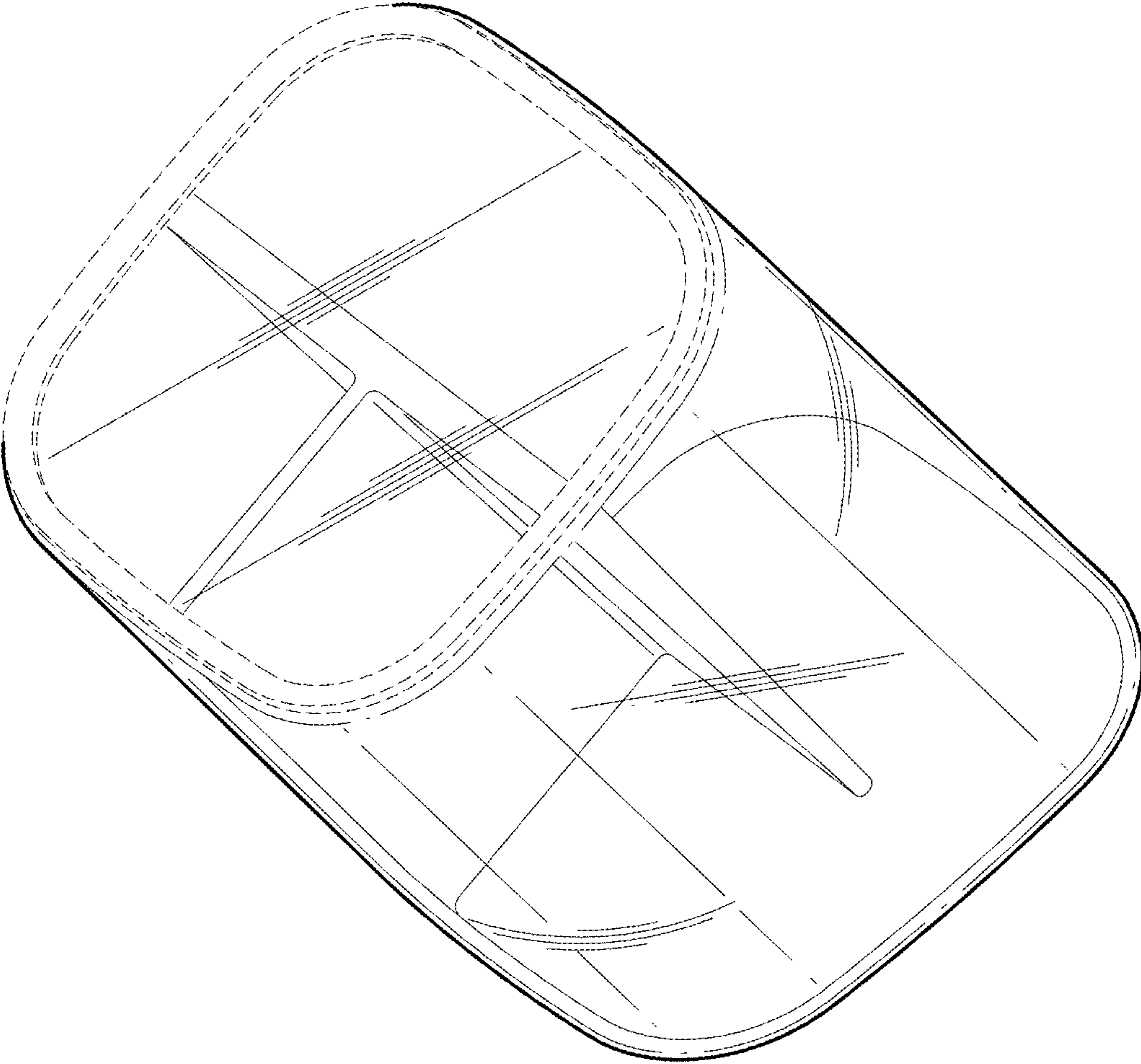


FIG. 1

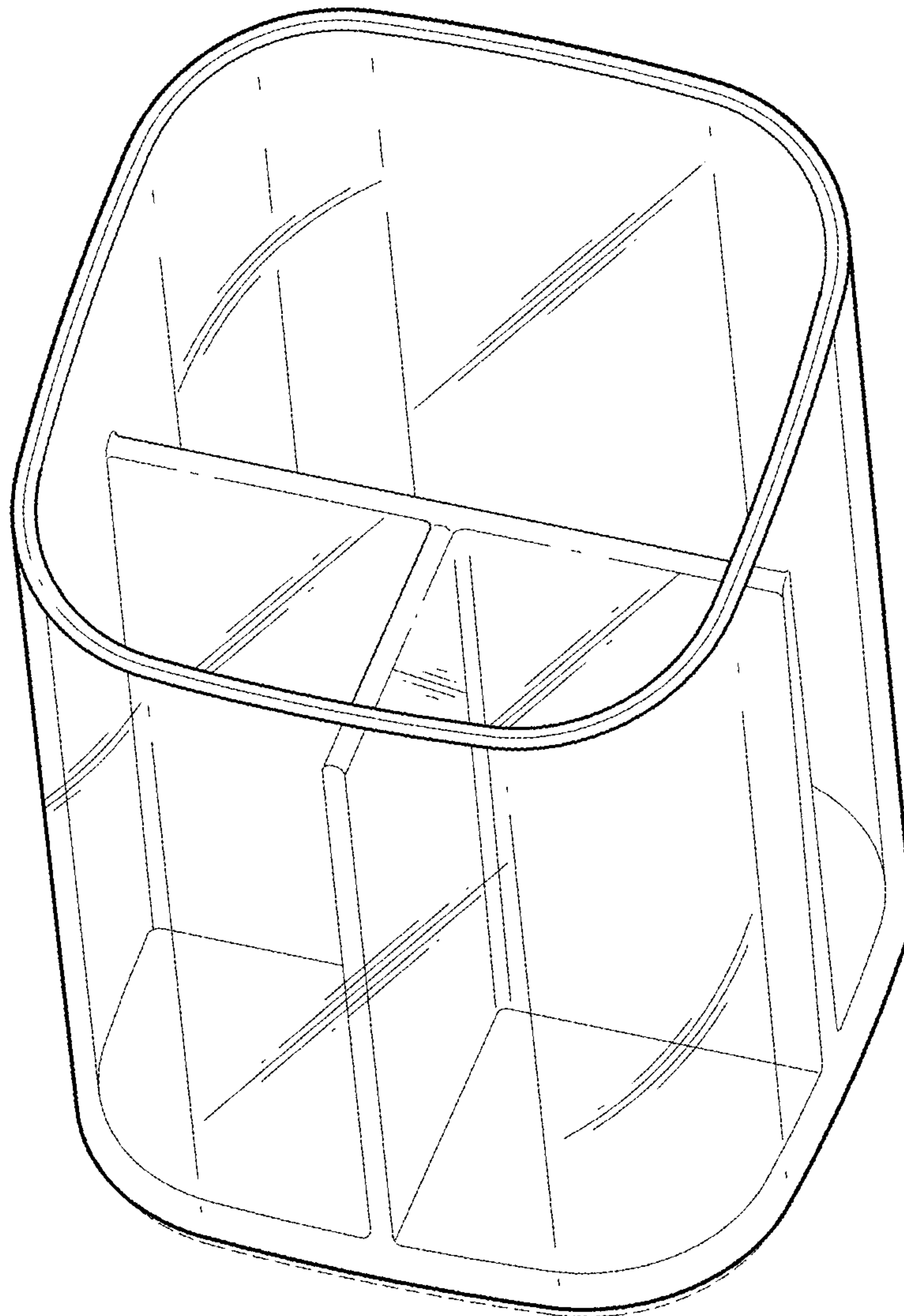


FIG. 2

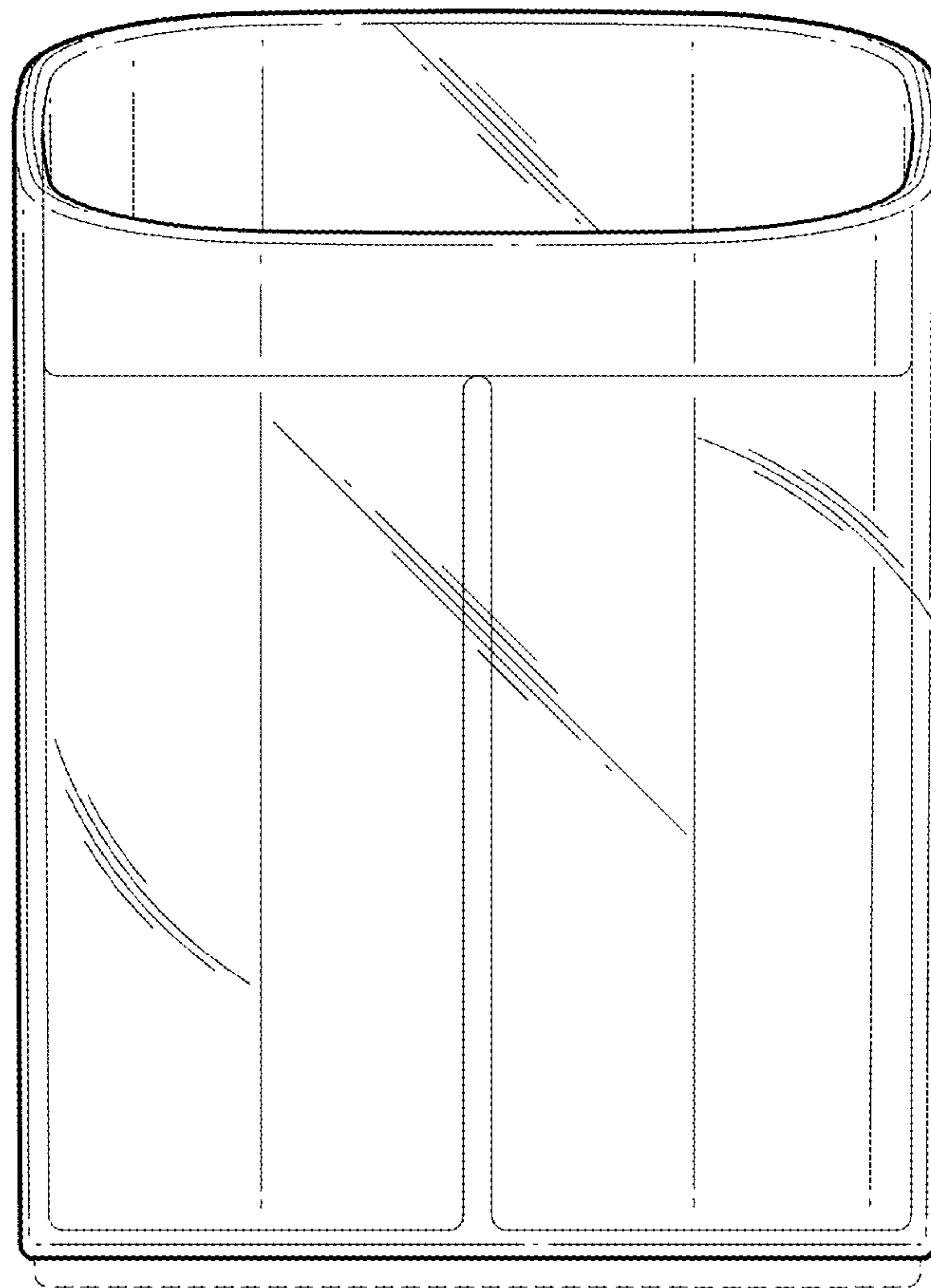


FIG. 3

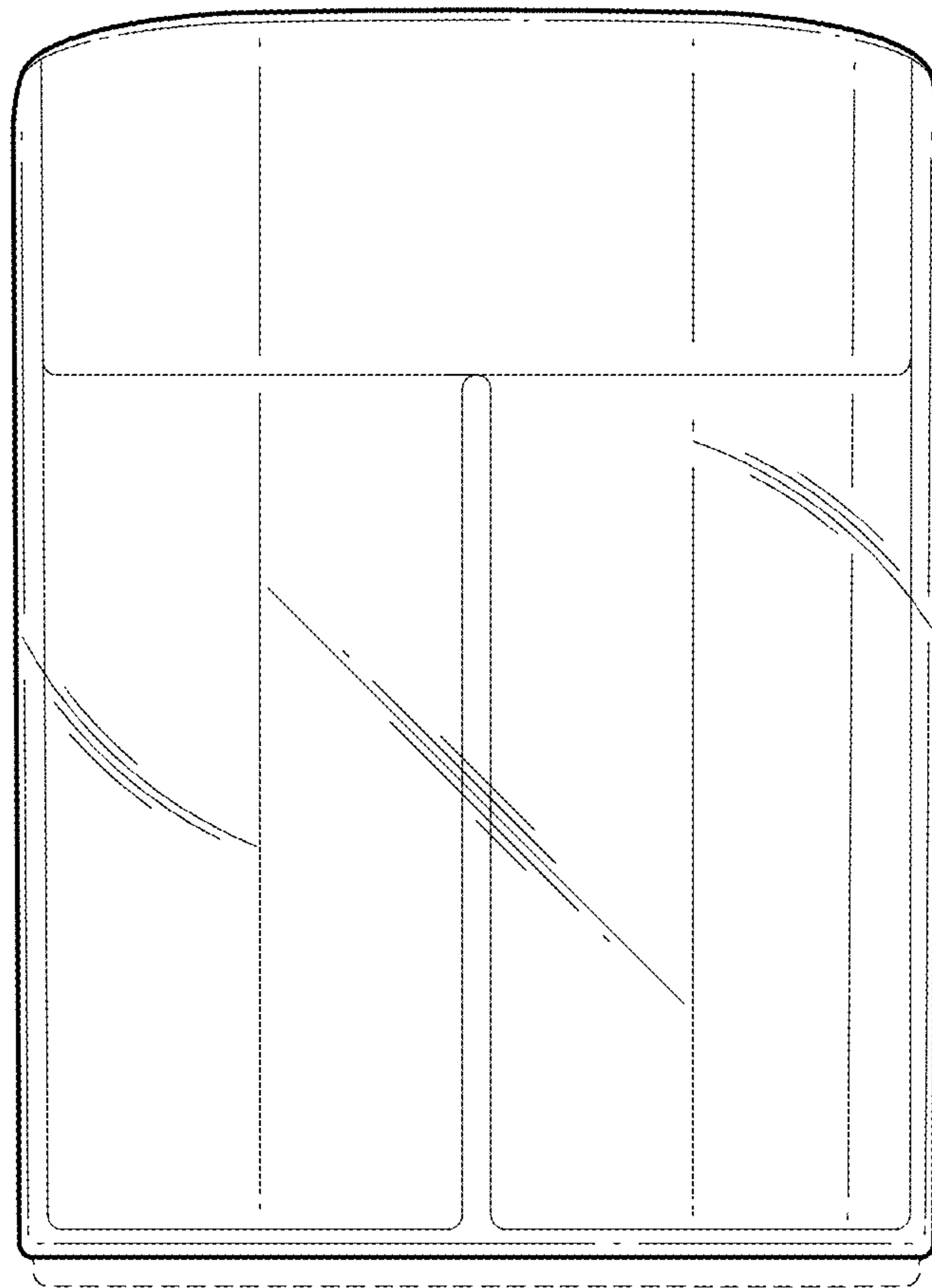


FIG. 4

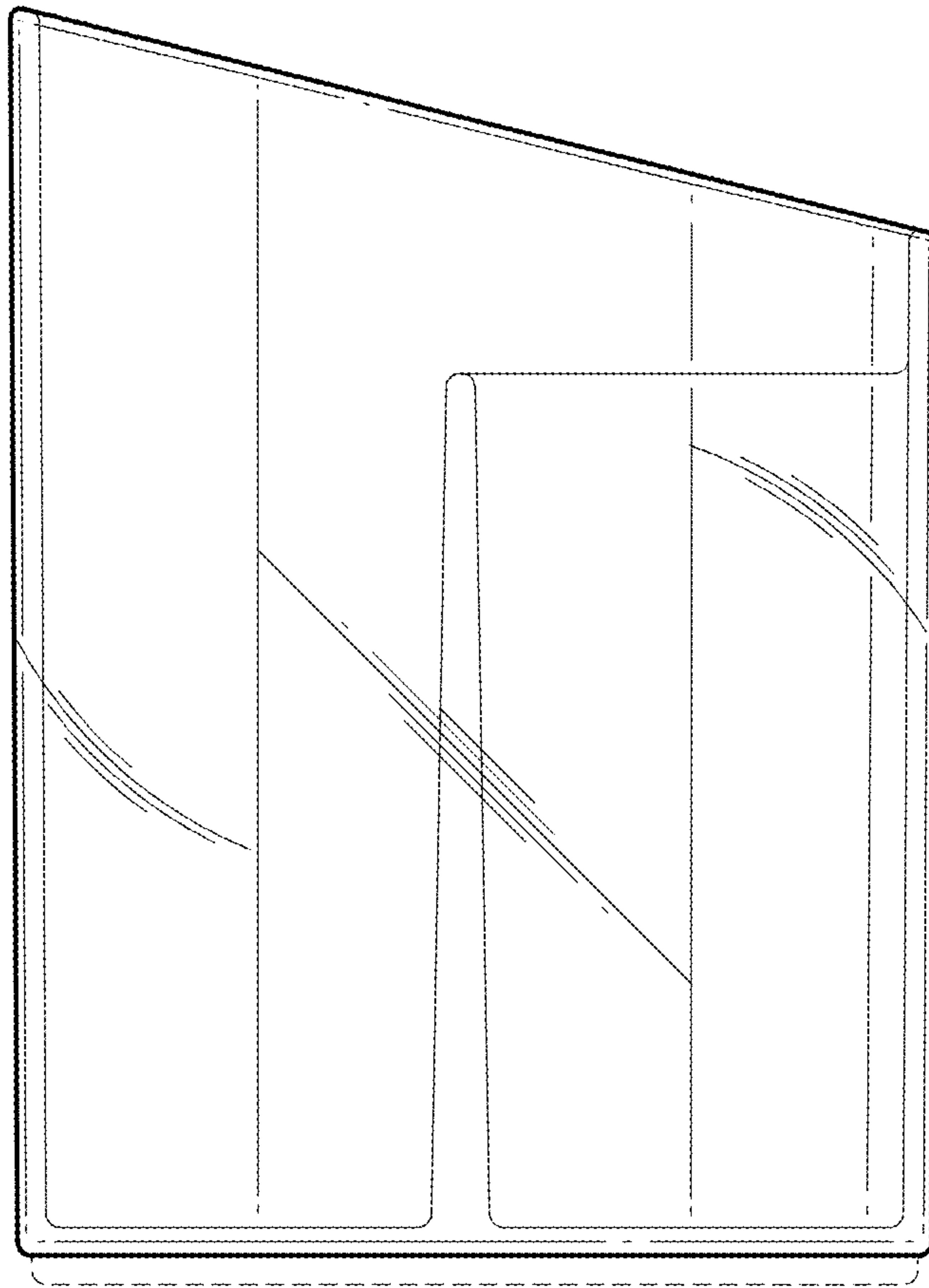


FIG. 5

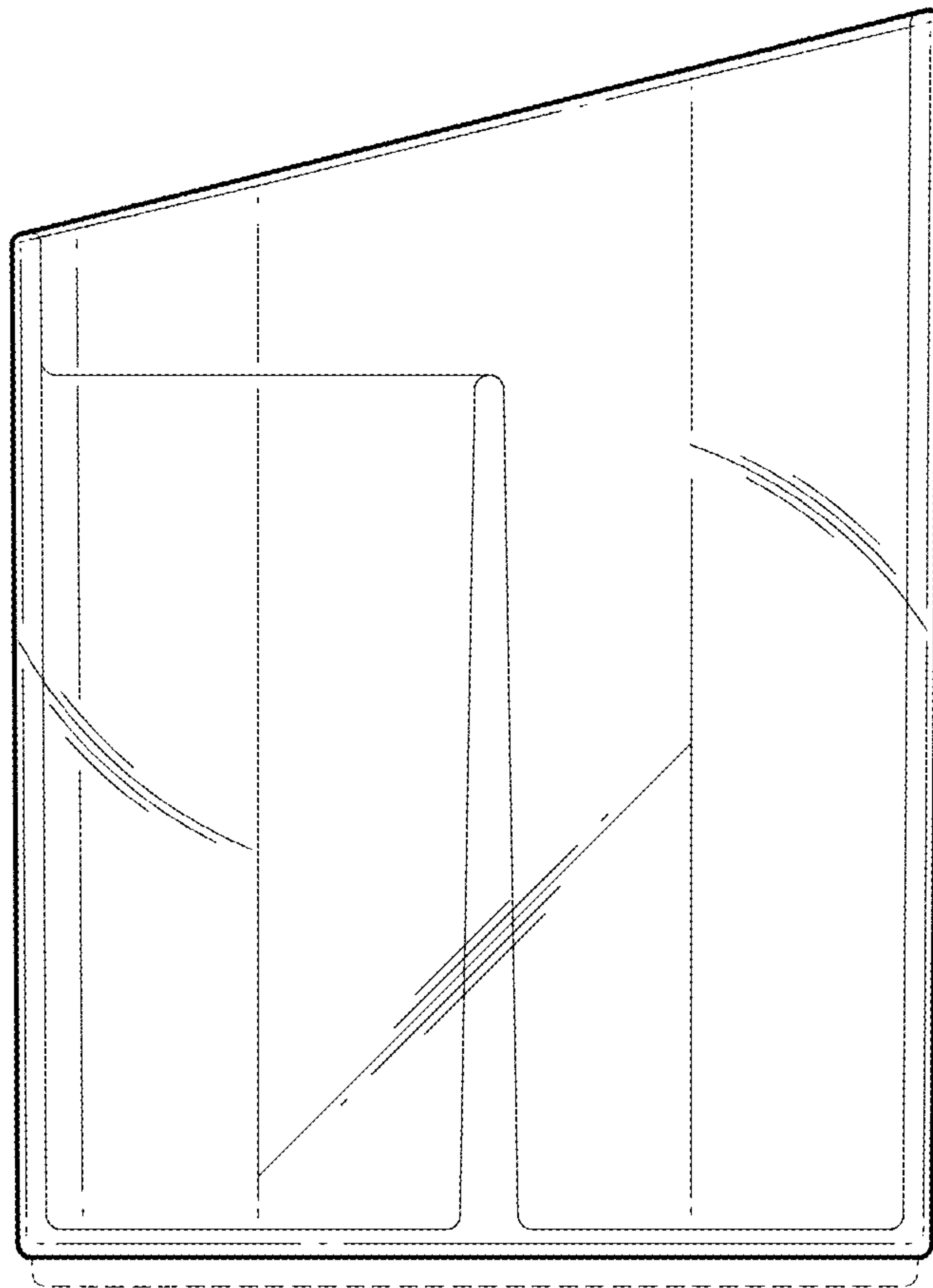


FIG. 6

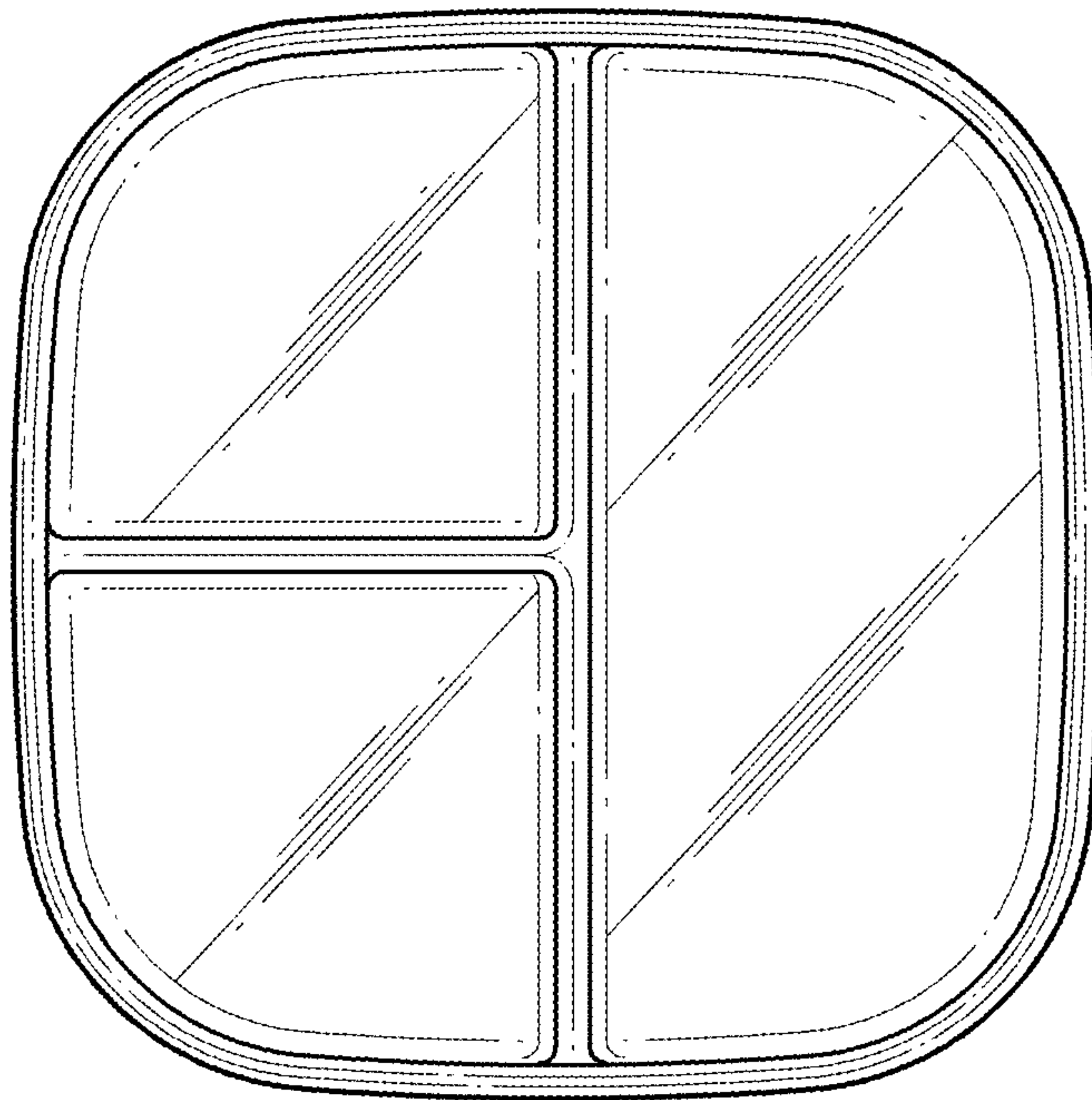


FIG. 7

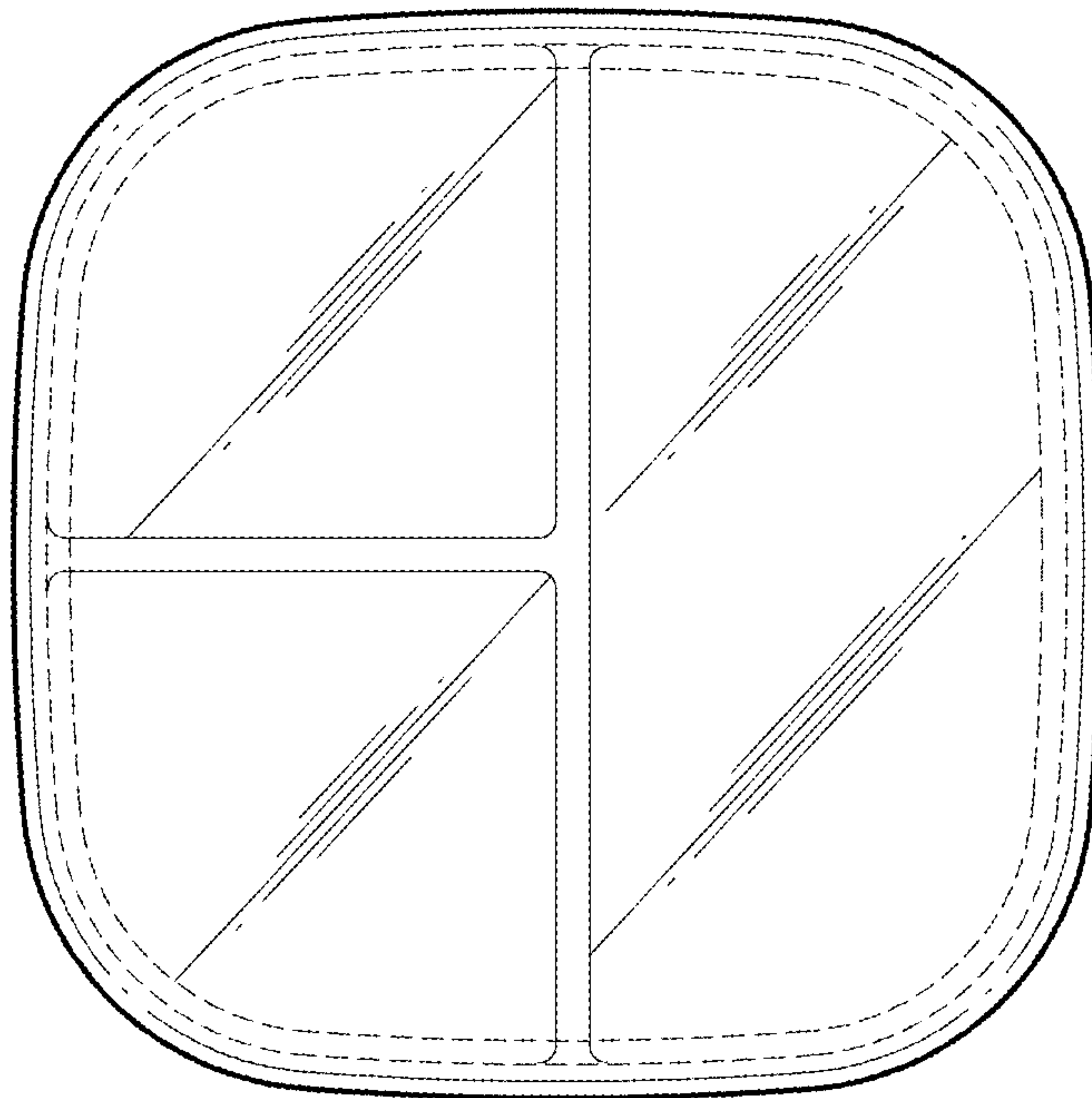


FIG. 8