



US00D773814S

(12) **United States Design Patent** (10) **Patent No.:** **US D773,814 S**
Barenbrug (45) **Date of Patent:** **** Dec. 13, 2016**

- (54) **SUITCASE**
- (71) Applicant: **Max Barenbrug**, Amsterdam (NL)
- (72) Inventor: **Max Barenbrug**, Amsterdam (NL)
- (73) Assignee: **Royalty Bugaboo GmbH** (CH)
- (**) Term: **14 Years**
- (21) Appl. No.: **29/481,661**
- (22) Filed: **Feb. 7, 2014**
- (51) **LOC (10) Cl.** **03-01**
- (52) **U.S. Cl.**
USPC **D3/289**; D3/293; D3/301
- (58) **Field of Classification Search**
USPC D3/273, 276, 282, 283, 285, 287, 284,
D3/289, 290, 299, 301, 900, 902, 295,
D3/225, 215, 901; 224/218; 150/100-126;
190/100-127, 901
CPC A45C 2003/007; A45C 3/00; A45C 3/001;
A45C 2003/002; A45C 13/02; A45C 3/02;
A45C 5/03; A45C 2013/223; A45C
2013/226; A45C 13/103
See application file for complete search history.

(56) **References Cited**

U.S. PATENT DOCUMENTS

5,570,495	A *	11/1996	Mogell	29/428
5,813,558	A *	9/1998	Burke	220/23.83
5,918,711	A *	7/1999	Godshaw	190/107
6,126,012	A *	10/2000	Roegner	206/579
6,298,993	B1 *	10/2001	Kalozdi	206/581
D455,551	S *	4/2002	Stephens et al.	D3/276
D506,609	S *	6/2005	Hillman	D3/289
D548,965	S *	8/2007	Aliberti et al.	D3/283
D574,615	S *	8/2008	Picot et al.	D3/289
D588,809	S *	3/2009	Shor et al.	D3/287

D605,854	S *	12/2009	Gracer et al.	D3/289
D625,518	S *	10/2010	Edwards	D3/289
D655,084	S *	3/2012	Shor et al.	D3/276

(Continued)

OTHER PUBLICATIONS

Brenthaven Shop, "Collins Convertible Backpack", Accessed Mar. 4, 2016, (<http://www.brenthaven.com/products/collins-convertible-backpack>).*

(Continued)

Primary Examiner — Jennifer Rivard

Assistant Examiner — April Rivas

(74) *Attorney, Agent, or Firm* — Charles T. J. Weigell, Esq.; Fross Zelnick Lehrman & Zissu, P.C.

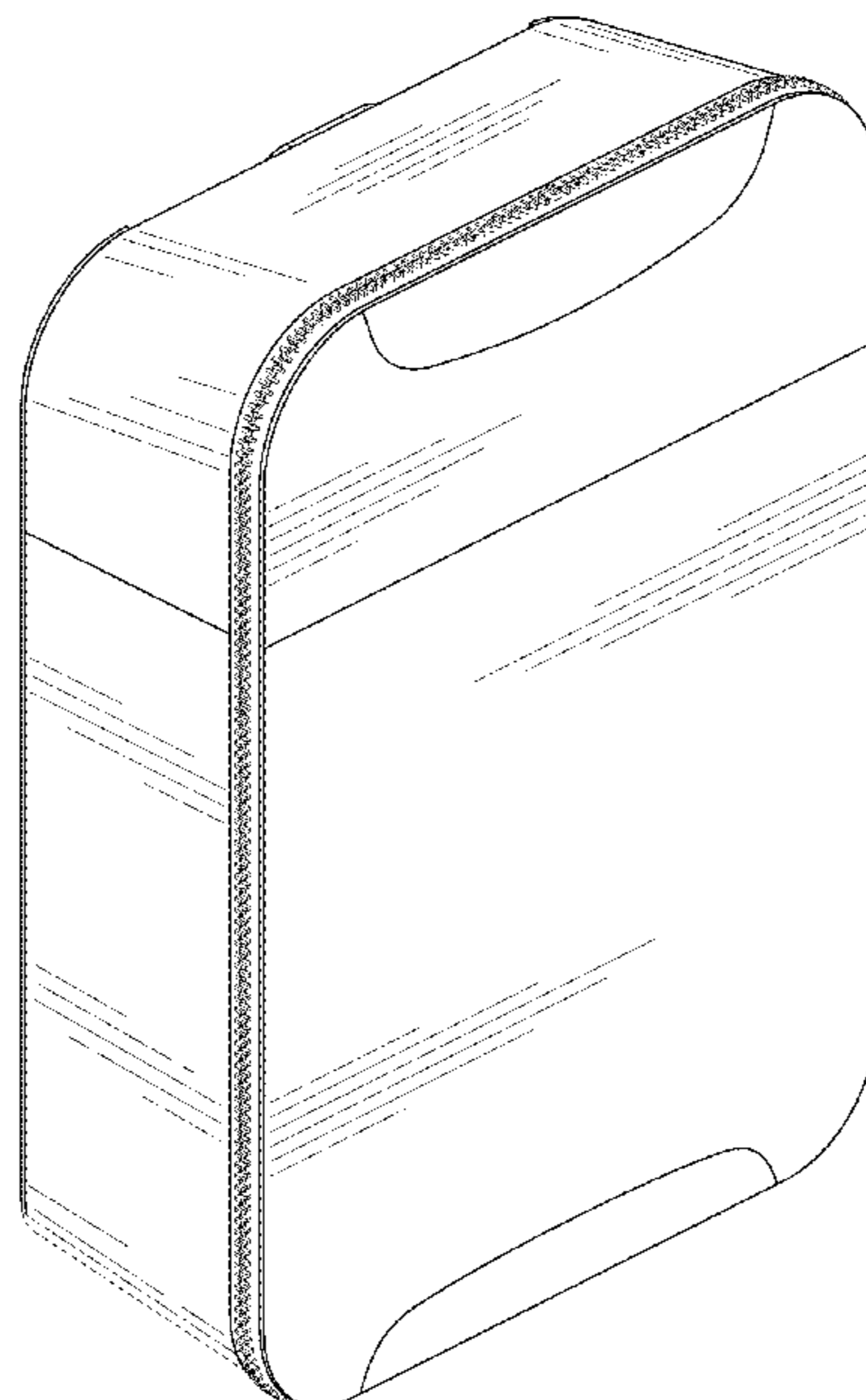
(57) **CLAIM**

The ornamental design for a suitcase, as shown and described.

DESCRIPTION

FIG. 1 is a front perspective view of a suitcase showing my new design, with the handles in a closed configuration; FIG. 2 is a front view of the suitcase shown in FIG. 1; FIG. 3 is a back view of the suitcase shown in FIG. 1; FIG. 4 is a side view of the suitcase shown in FIG. 1 (with the other side view being a mirror image thereof); FIG. 5 is a top view of the suitcase shown in FIG. 1; and, FIG. 6 is a front perspective view of the suitcase shown in FIG. 1, shown with the handles in an open configuration. The dash-dot-dash broken lines illustrate the bounds of the claimed design. The remaining broken lines illustrate portions of the suitcase. None of the broken lines form part of the claimed design. The long dash-short dash broken lines indicate the boundaries of the claim in the relevant drawings.

1 Claim, 6 Drawing Sheets



(56)

References Cited

U.S. PATENT DOCUMENTS

D668,456 S * 10/2012 Du D3/285
D672,959 S * 12/2012 Denzinger D3/289
2004/0231941 A1* 11/2004 Van Hoyer et al. 190/124
2006/0042732 A1* 3/2006 Oh 150/107
2006/0207697 A1* 9/2006 Greiner 150/113
2014/0248004 A1* 9/2014 Weinberg 383/6

OTHER PUBLICATIONS

Targus Online Shop, "14" Vertical Sleeve with Hideaway Handles",
Accessed Mar. 4, 2016, (<http://targus.com/us/vertical-sleeve-with-hideaway-handles-14>).*

Amazon.com, "Inateck . . . Laptop Notebook Ultrabook Bag with
Leather Handle", Accessed Mar. 4, 2016, (<http://www.amazon.com/Inateck-13-13-3-MacBook-Notebook-Ultrabook/dp/B00XJBDFZ4>).*

* cited by examiner

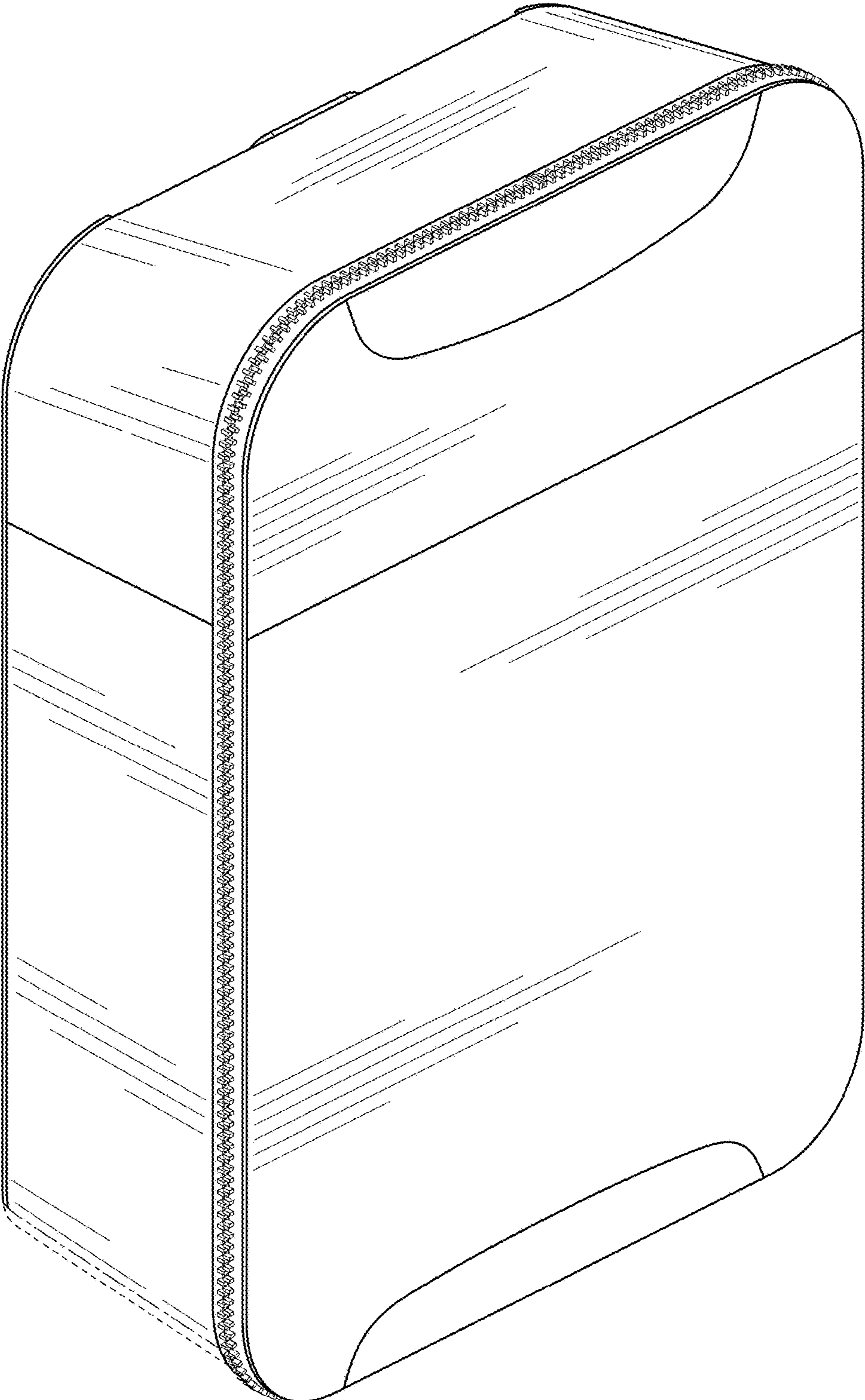


FIG. 1

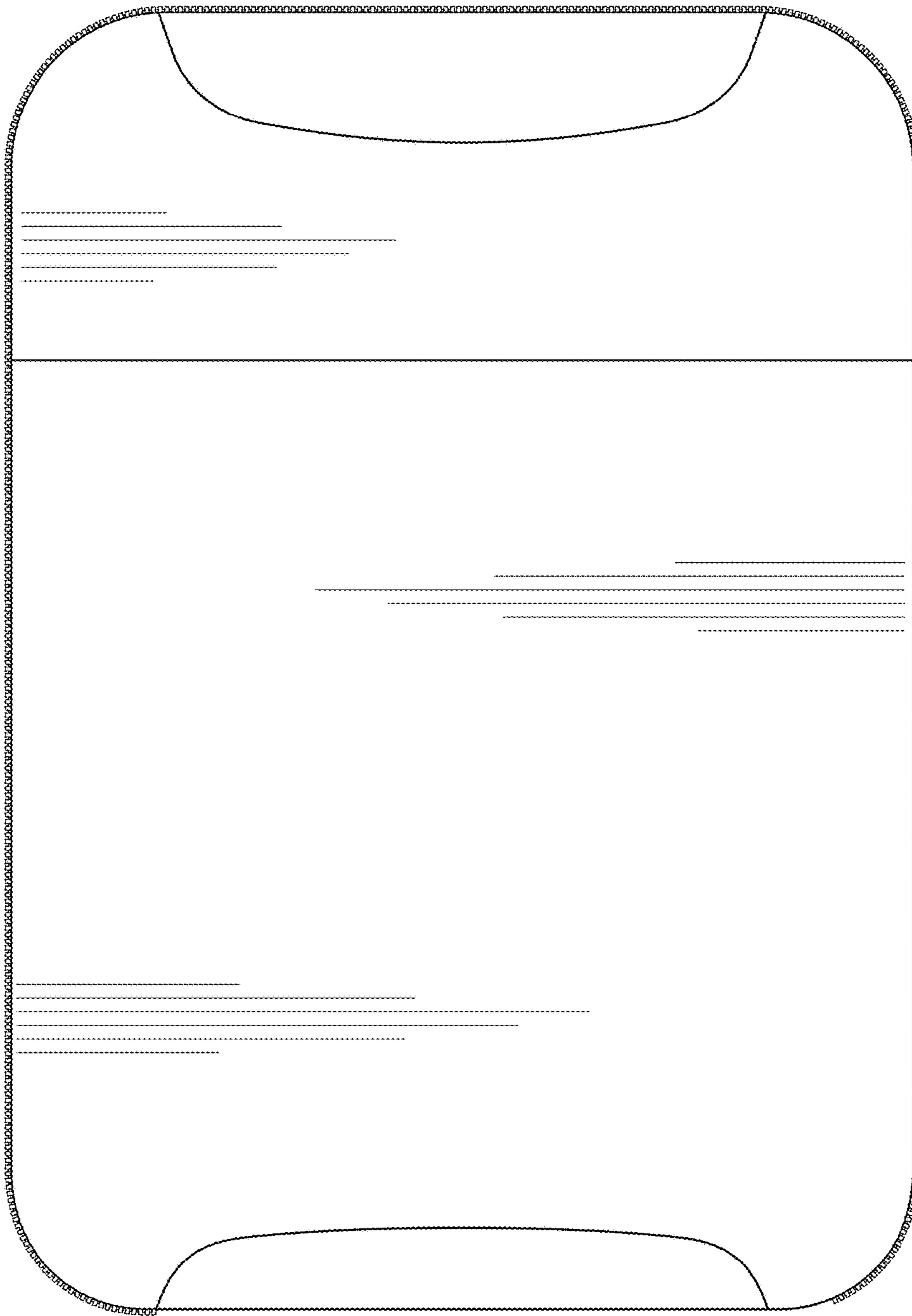


FIG. 2

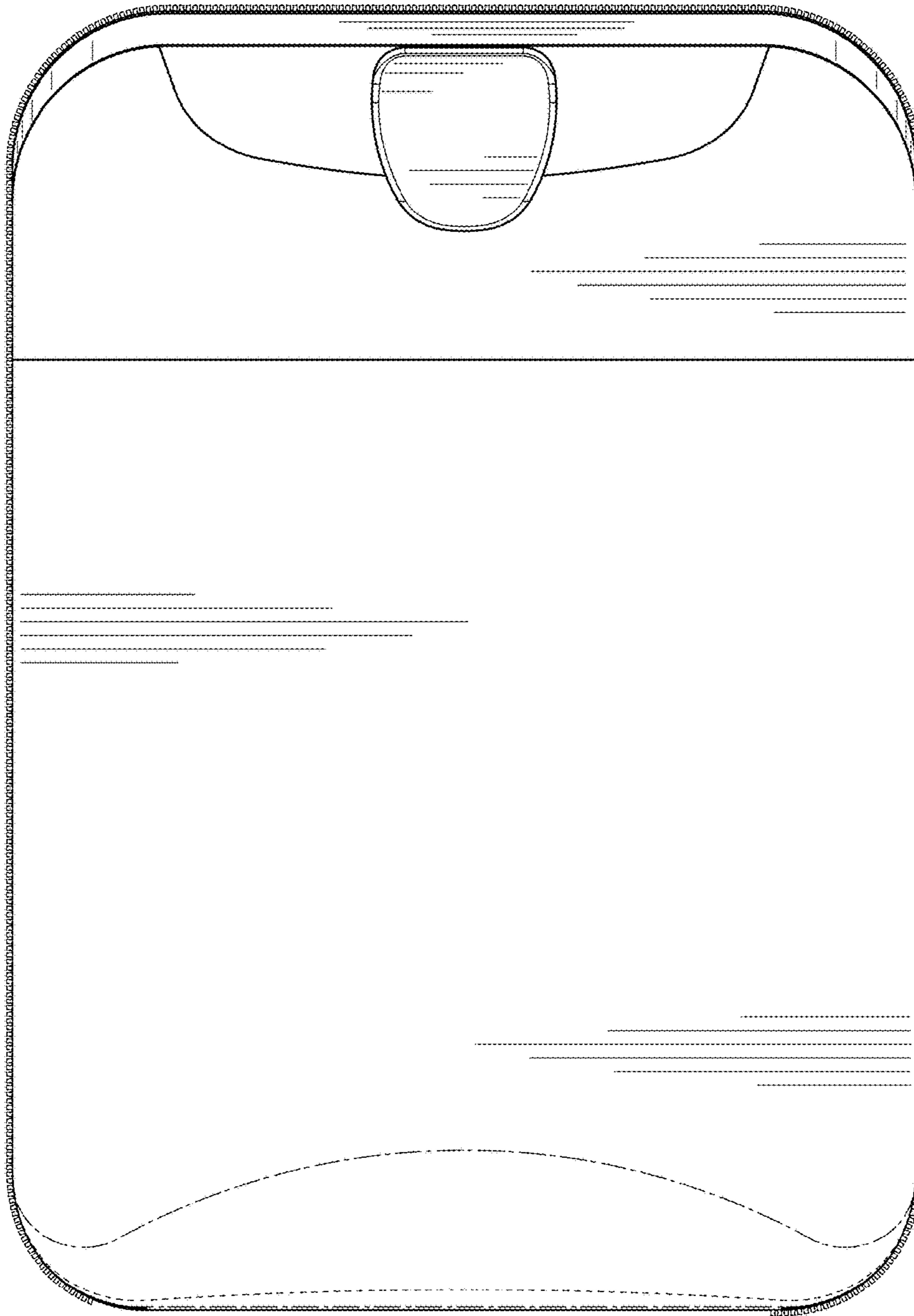


FIG. 3

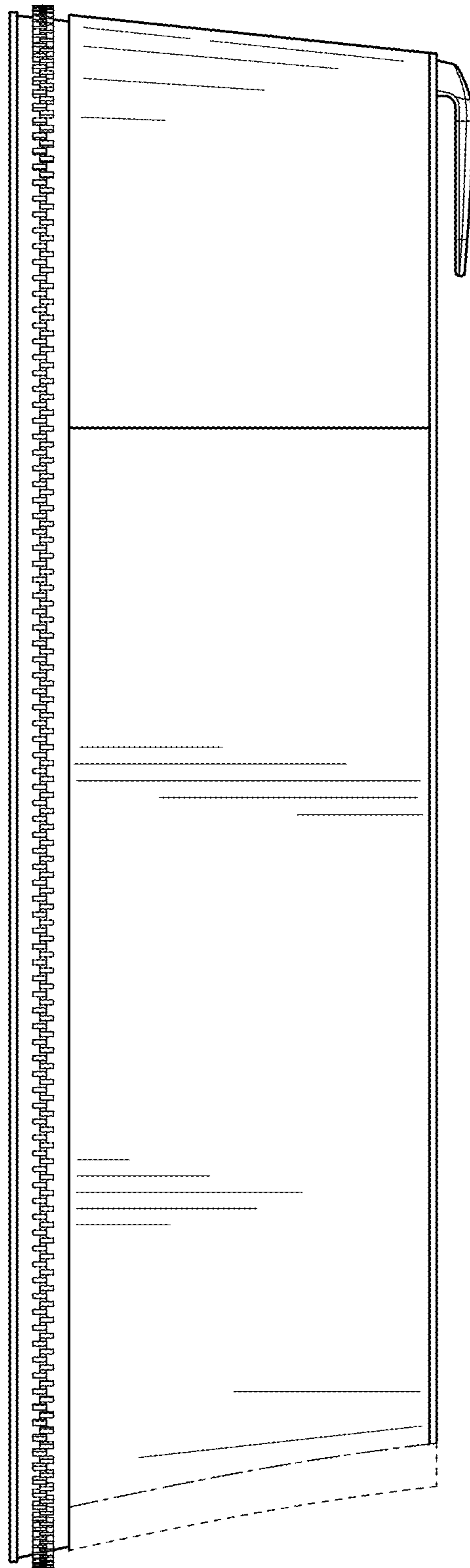


FIG. 4

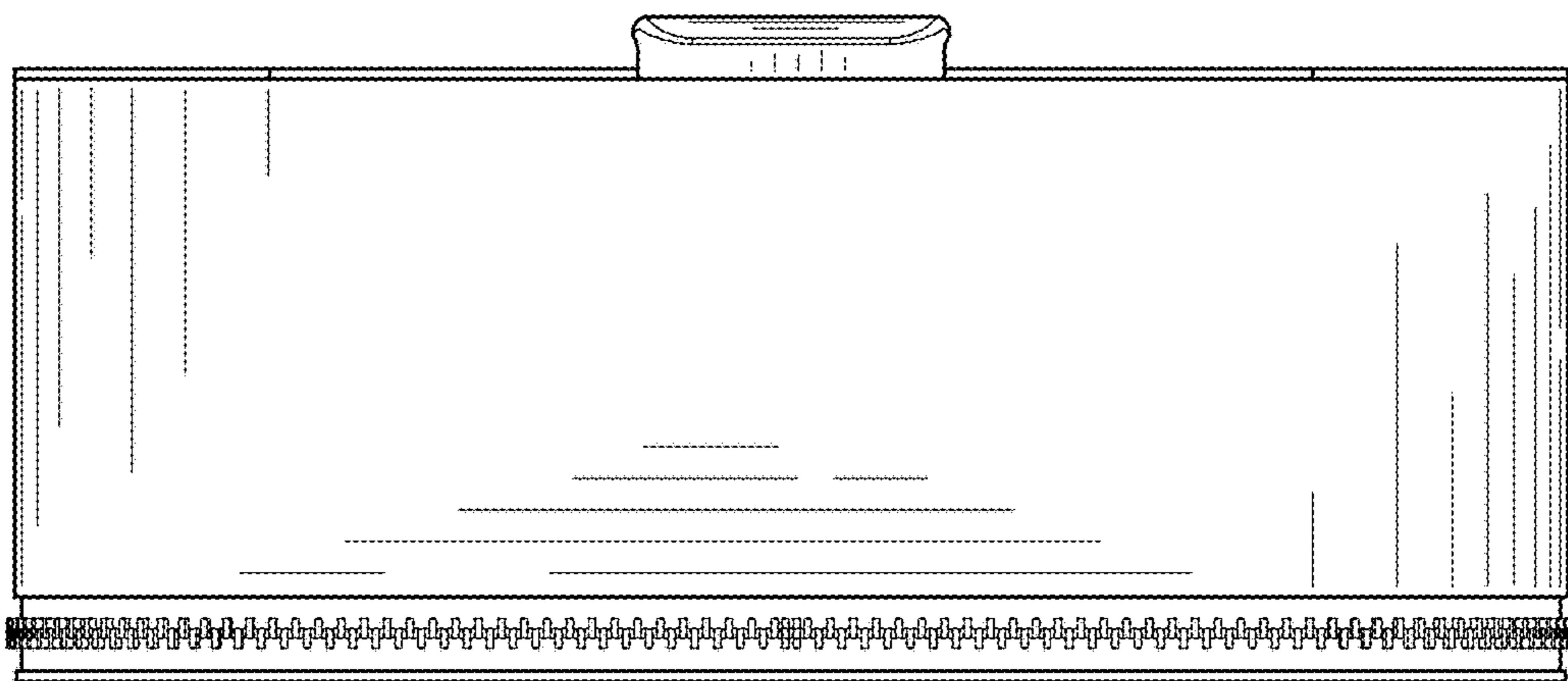


FIG. 5

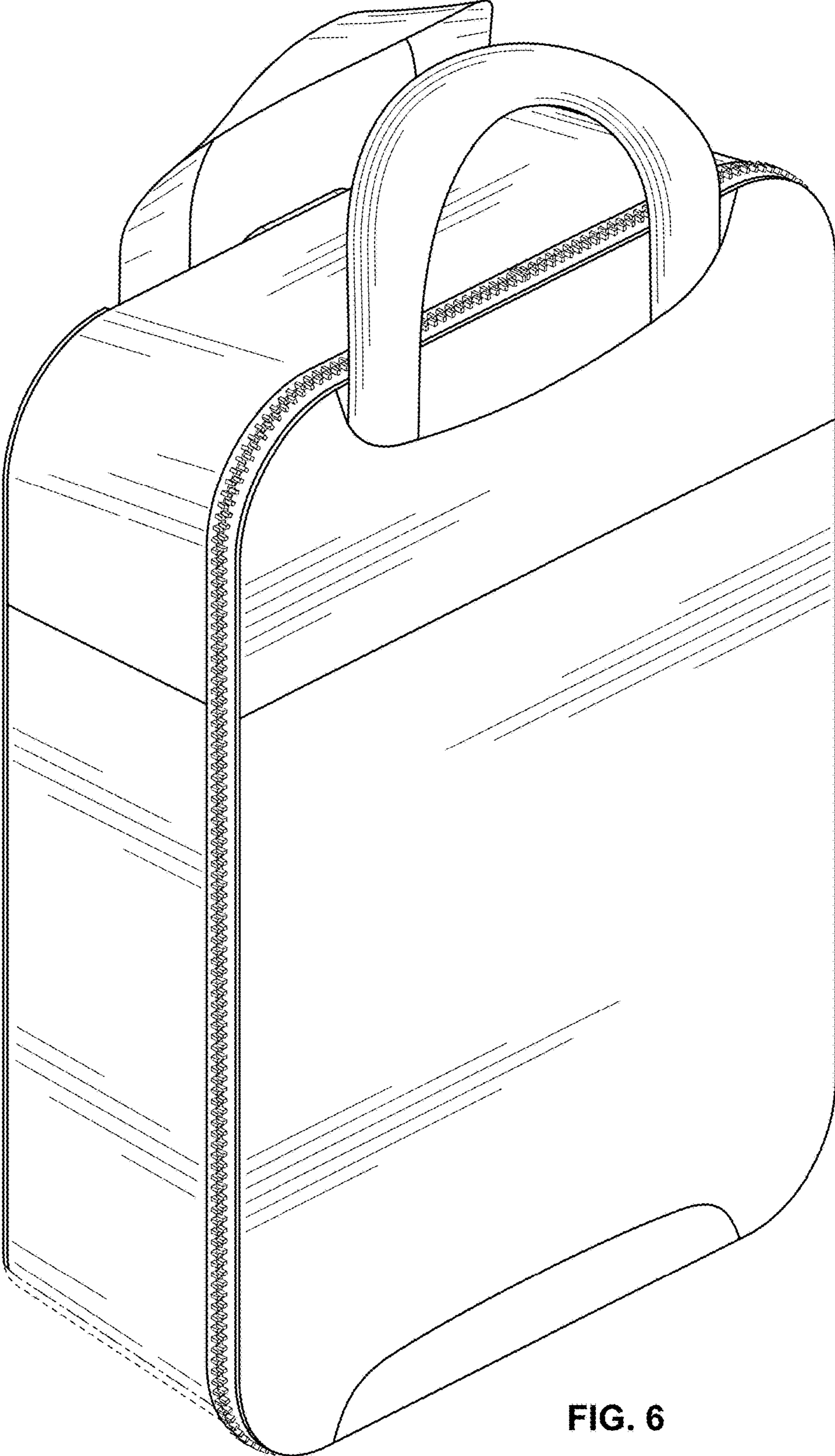


FIG. 6