



US00D773813S

(12) **United States Design Patent**
Jakubowski

(10) **Patent No.:** **US D773,813 S**

(45) **Date of Patent:** **** Dec. 13, 2016**

(54) **TOTE BAG**

(71) Applicant: **Vermont Juvenile Furniture Mfg., Inc.**, West Rutland, VT (US)

(72) Inventor: **Kristen Jakubowski**, Rutland, VT (US)

(73) Assignee: **Vermont Juvenile Furniture Mfg., Inc.**, West Rutland, VT (US)

(**) Term: **15 Years**

(21) Appl. No.: **29/532,060**

(22) Filed: **Jul. 1, 2015**

(51) **LOC (10) Cl.** **03-01**

(52) **U.S. Cl.**
USPC **D3/246**

(58) **Field of Classification Search**
USPC D3/232–233, 240–243, 245–246
CPC A45C 1/024; A45C 3/06
See application file for complete search history.

(56) **References Cited**

U.S. PATENT DOCUMENTS

D392,459 S *	3/1998	Jones	D3/245
D426,060 S *	6/2000	Chapelier	D3/232
D439,041 S *	3/2001	Guyon	D3/245
D463,118 S *	9/2002	Tucker	D3/246

D562,551 S * 2/2008 Liu D3/246

* cited by examiner

Primary Examiner — Holly Baynham

(74) *Attorney, Agent, or Firm* — Volpe and Koenig, P.C.

(57) **CLAIM**

The ornamental design for a tote bag, as shown and described.

DESCRIPTION

FIG. 1 is a top, front, right perspective view of a first embodiment of a tote bag in accordance with my design; FIG. 2 is a front elevational view thereof; FIG. 3 is a rear elevational view thereof; FIG. 4 is a right side elevational view thereof; FIG. 5 is a left side elevational view thereof; FIG. 6 is a top plan view thereof; and FIG. 7 is a bottom view thereof; FIG. 8 is a top, front, right perspective view of a second embodiment of a tote bag in accordance with my design; FIG. 9 is a front elevational view thereof; FIG. 10 is a rear elevational view thereof; FIG. 11 is a right side elevational view thereof; FIG. 12 is a left side elevational view thereof; FIG. 13 is a top plan view thereof; and, FIG. 14 is a bottom view thereof.

The cross hatching shown indicates a mesh and is not intended to represent any particular color.

1 Claim, 10 Drawing Sheets

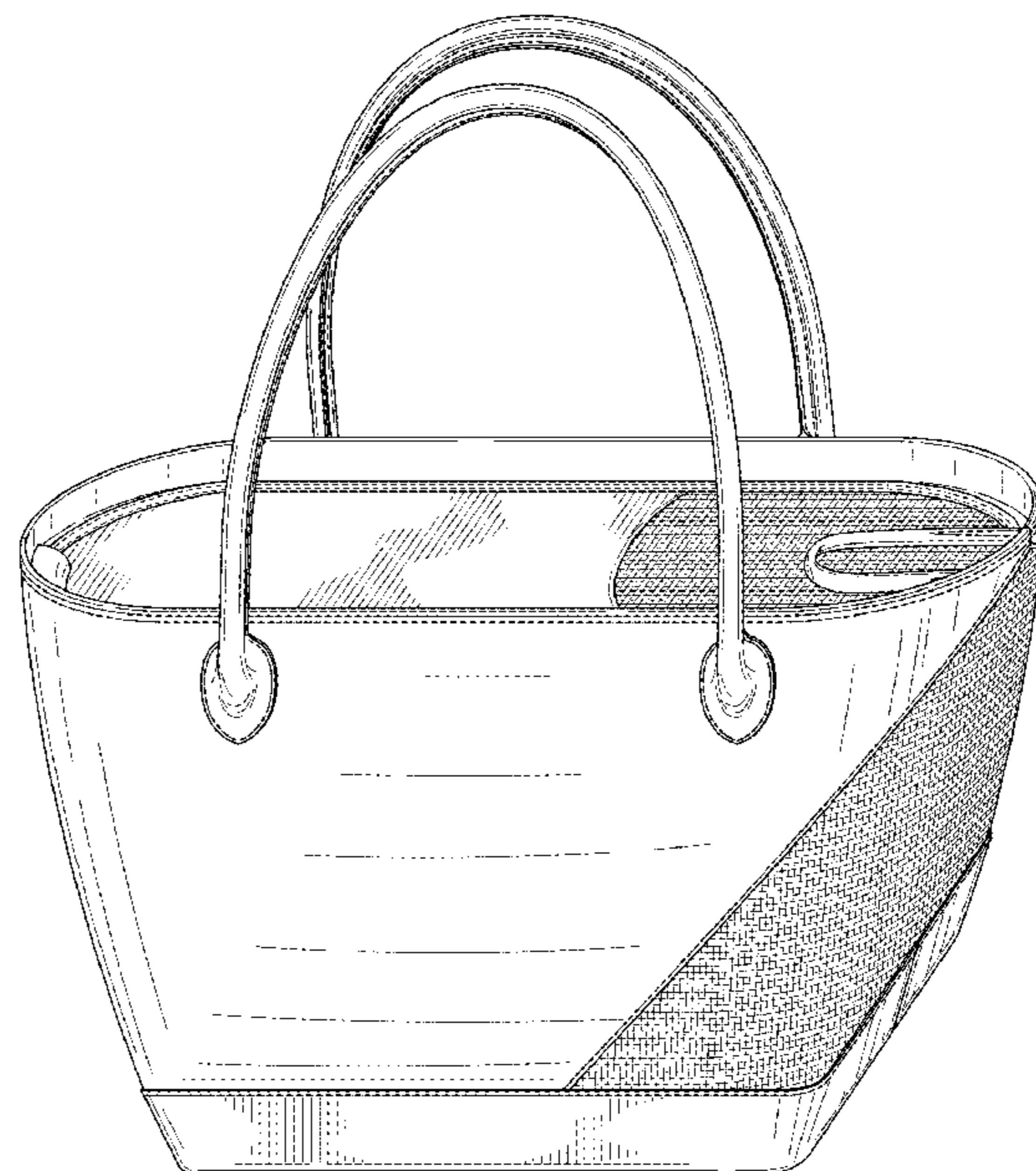
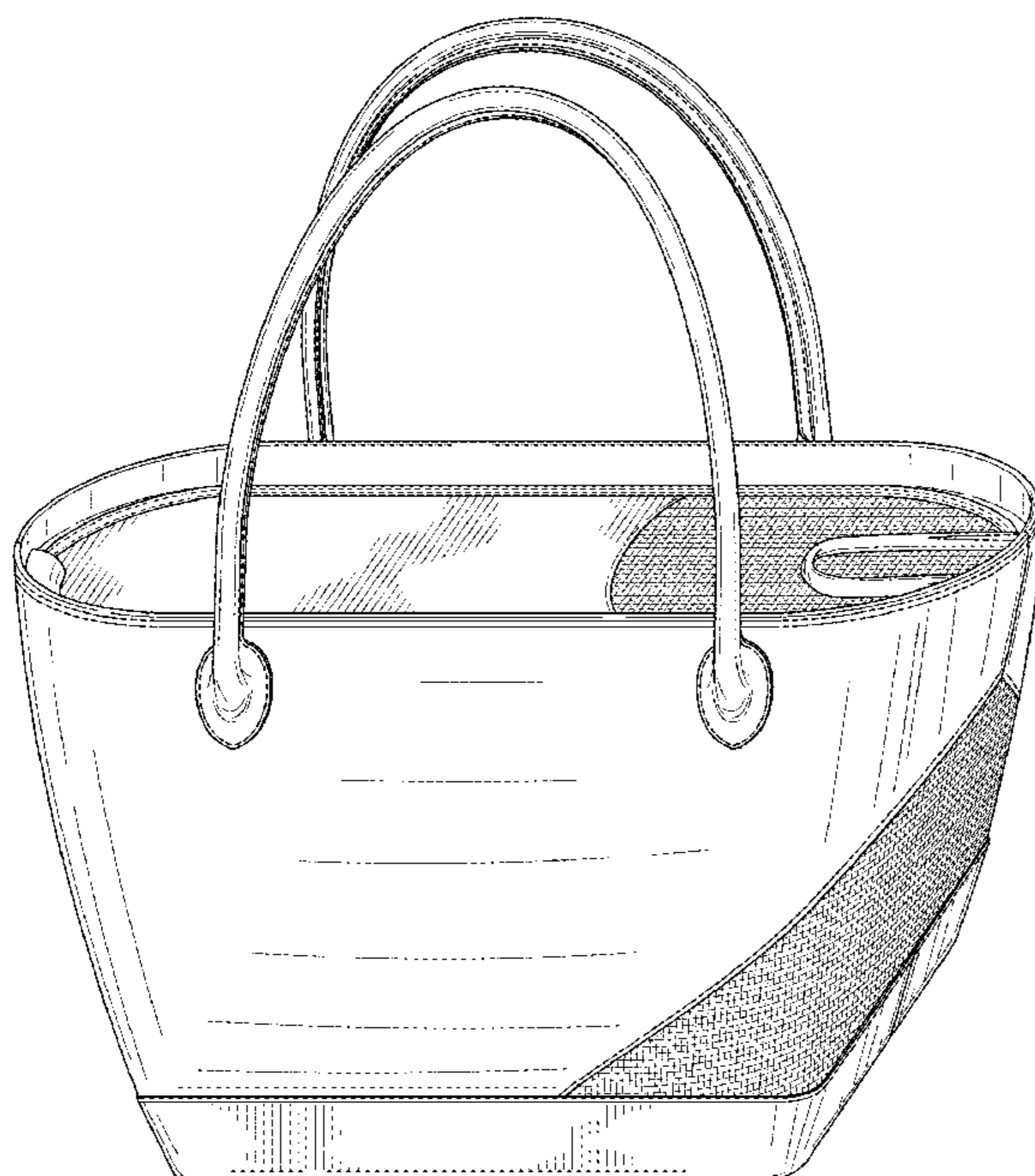




FIG. 1

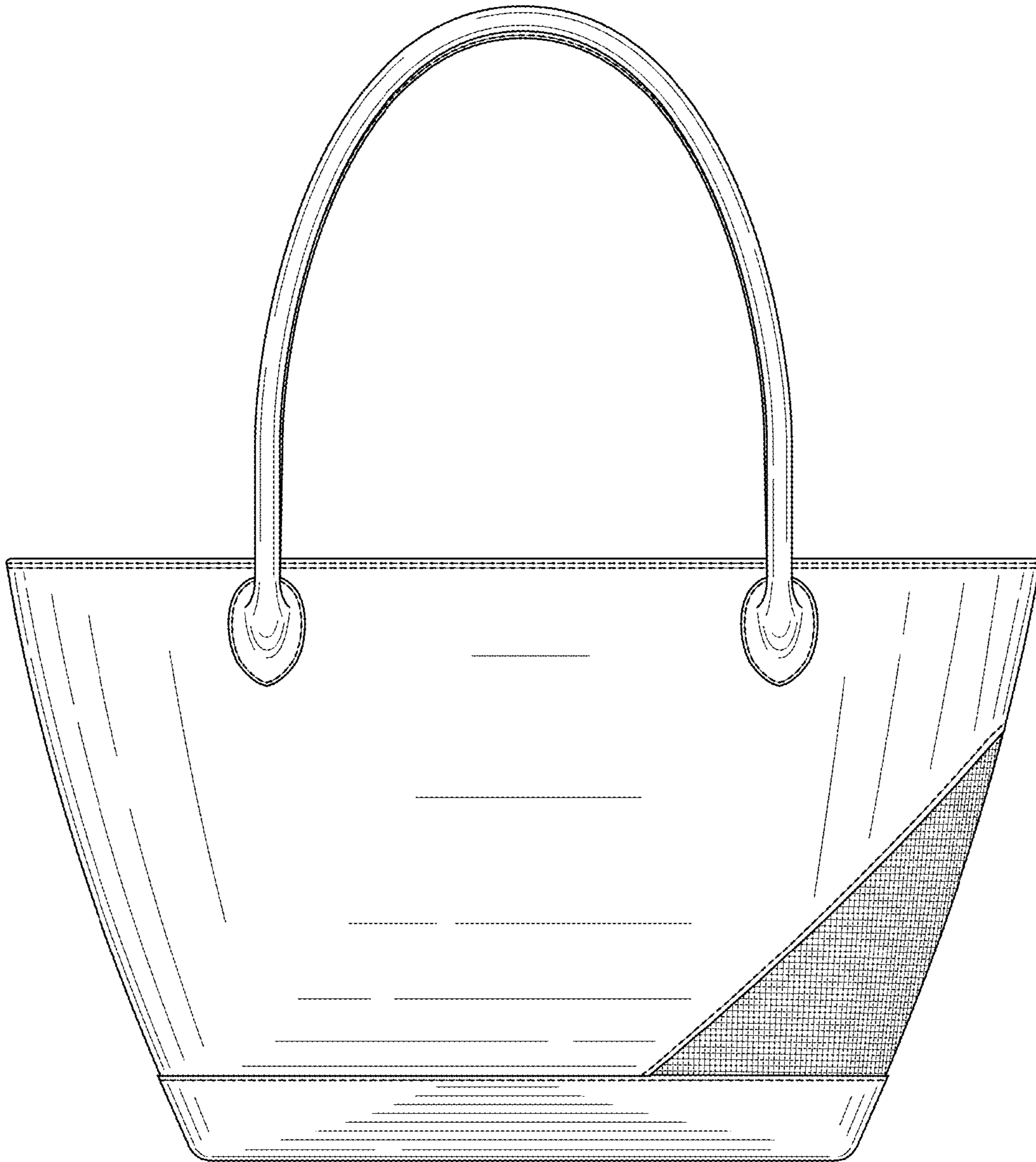


FIG. 2

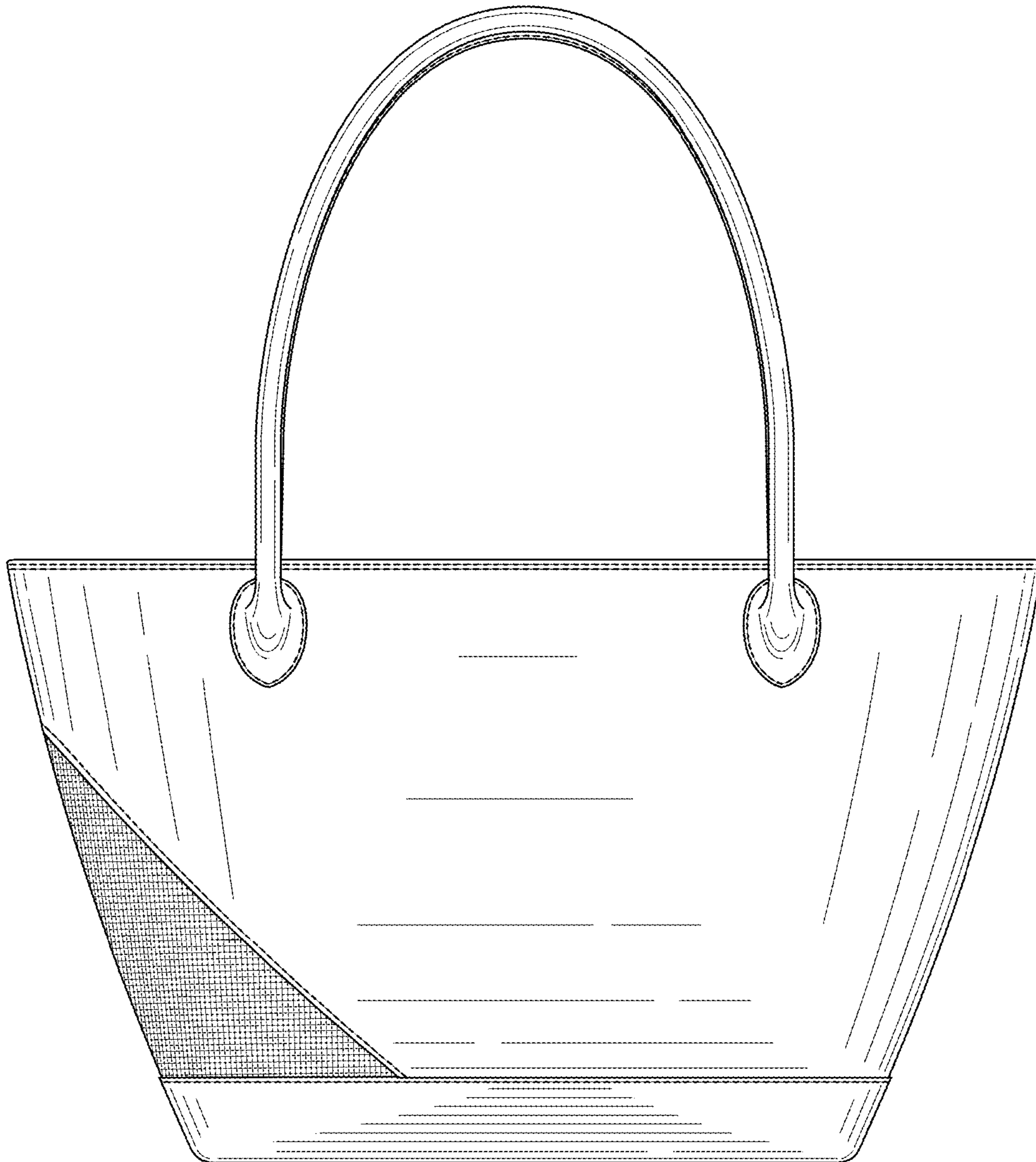


FIG. 3

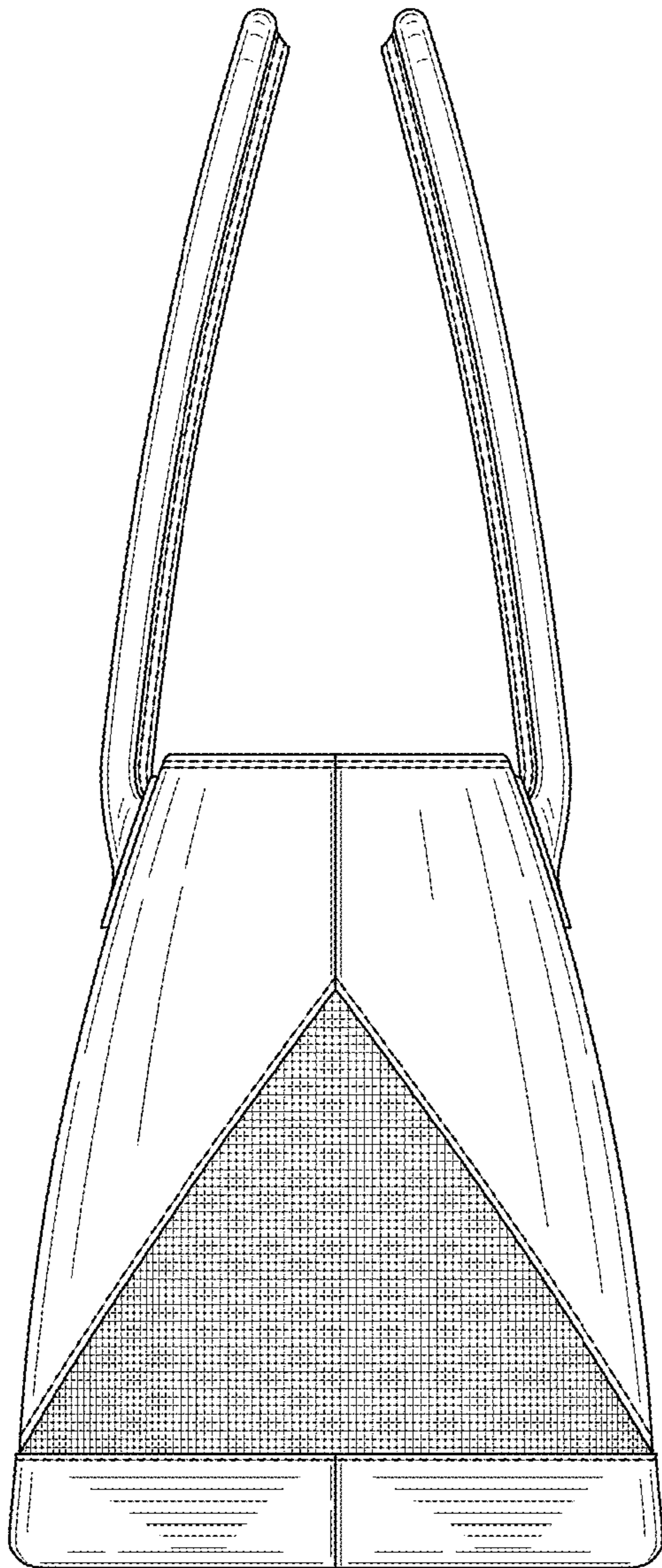


FIG. 4

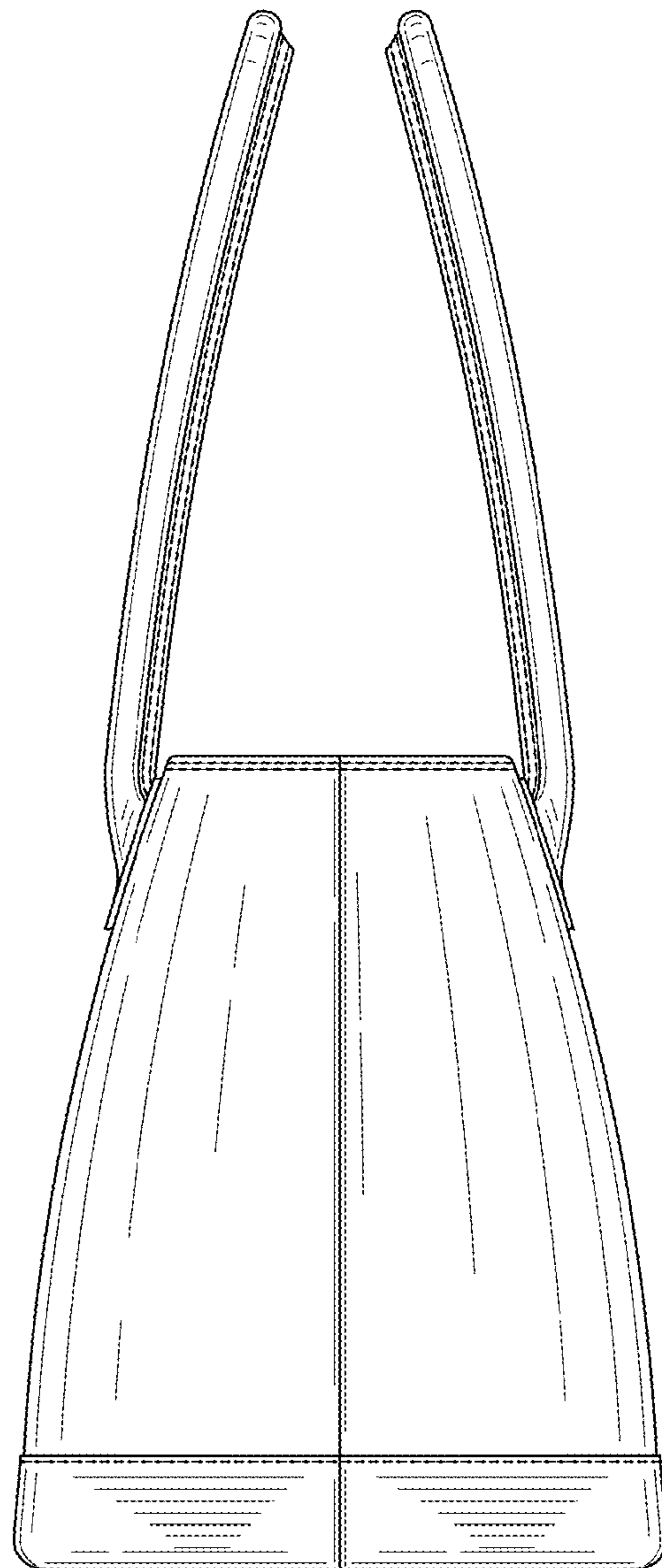


FIG. 5

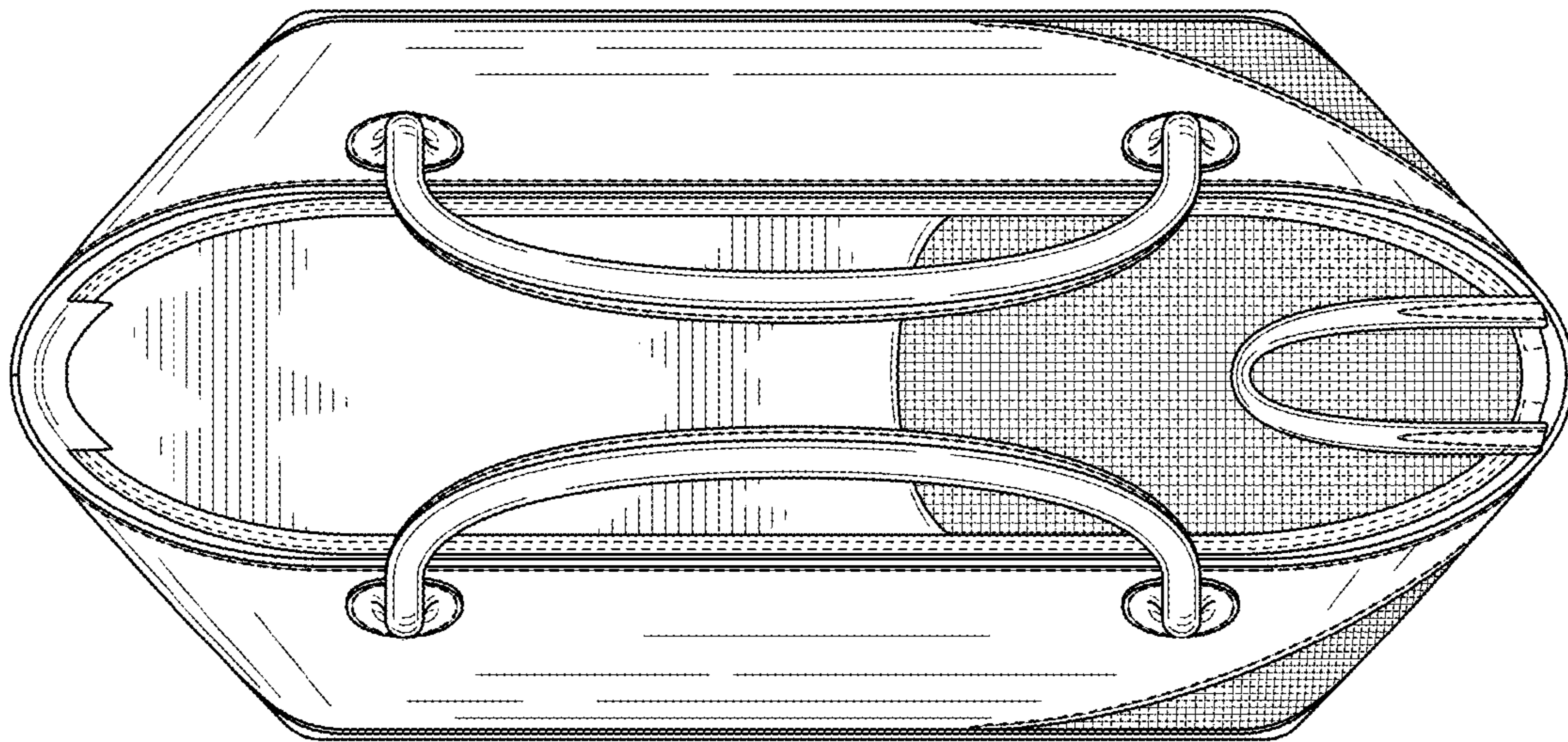


FIG. 6

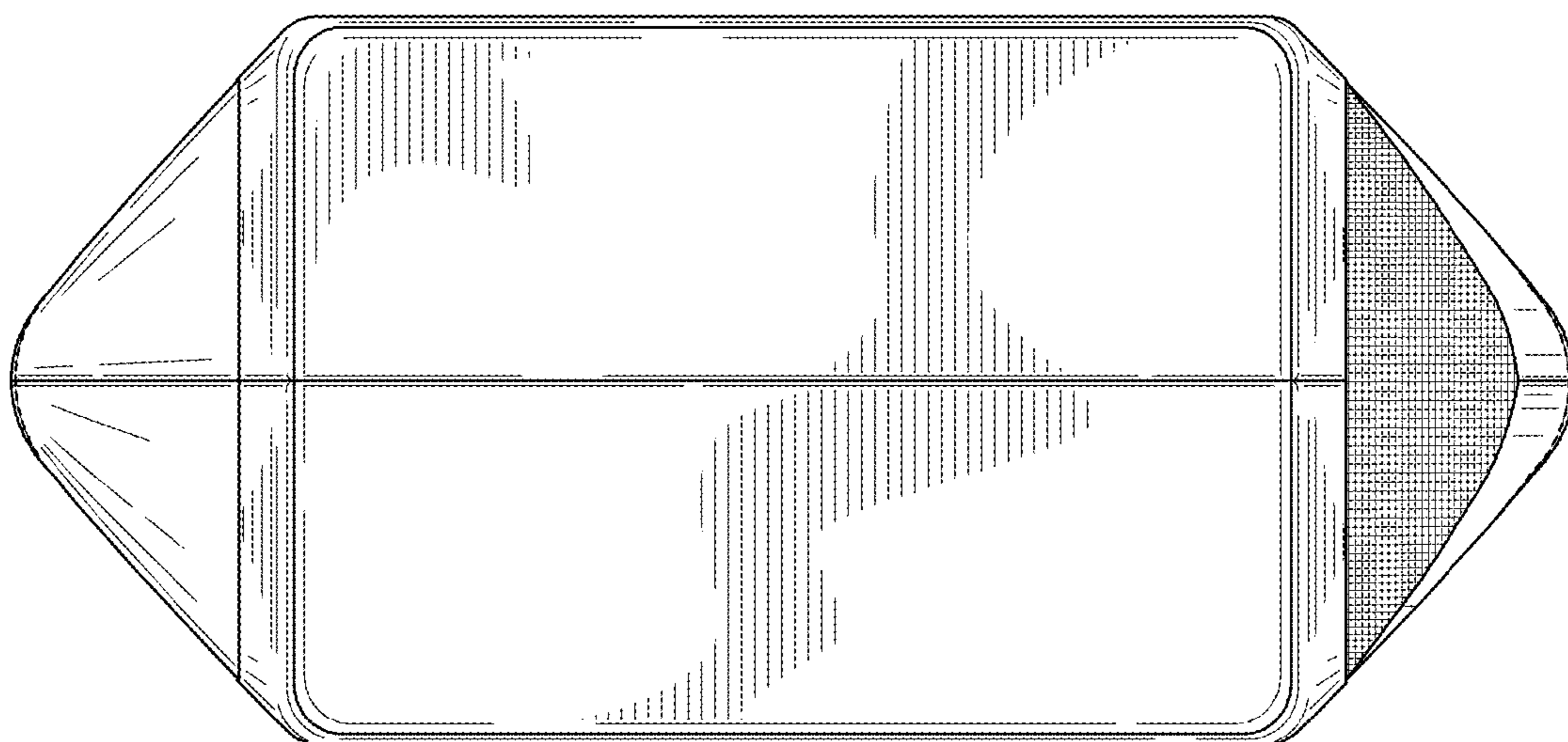


FIG. 7



FIG. 8

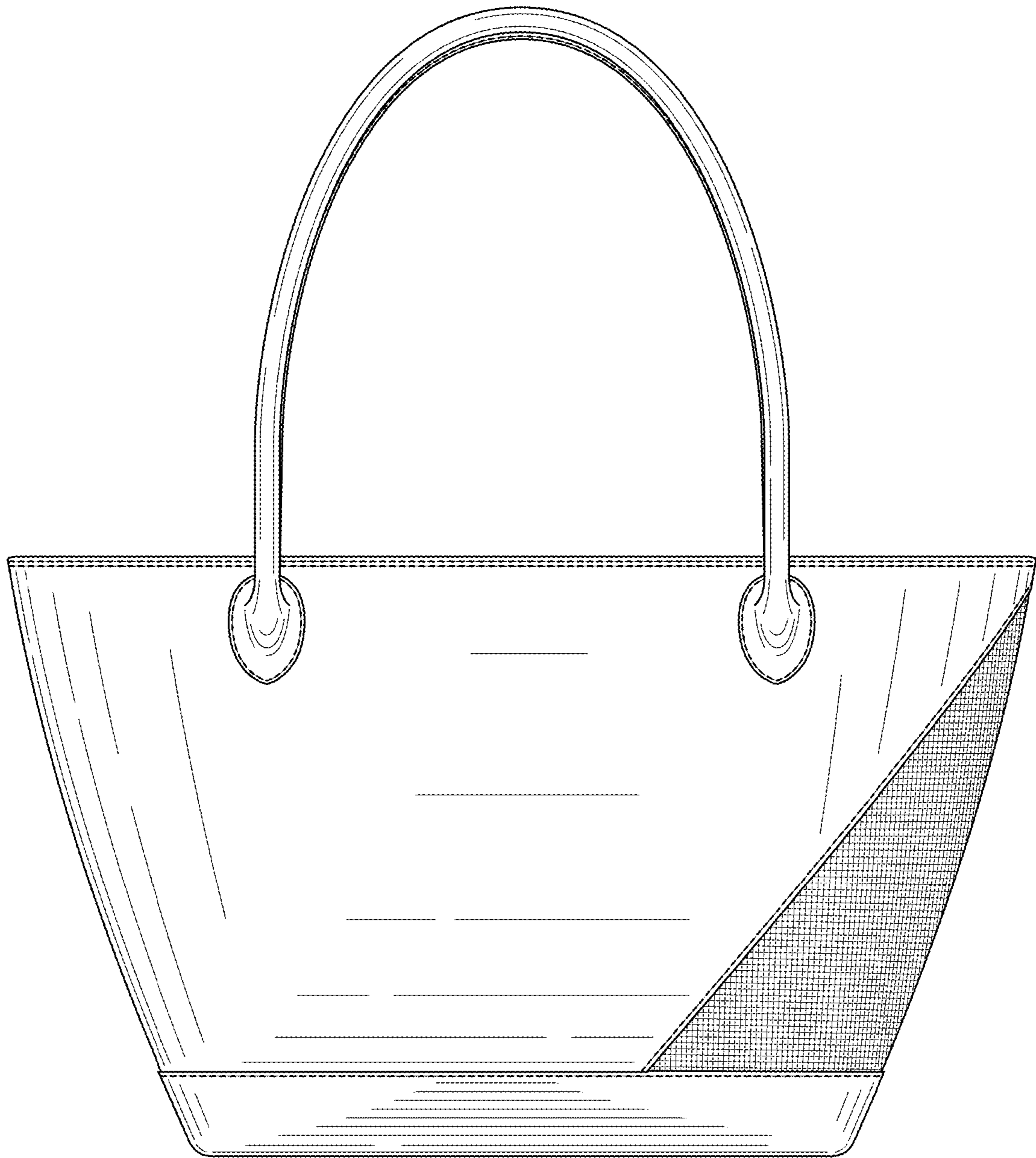


FIG. 9

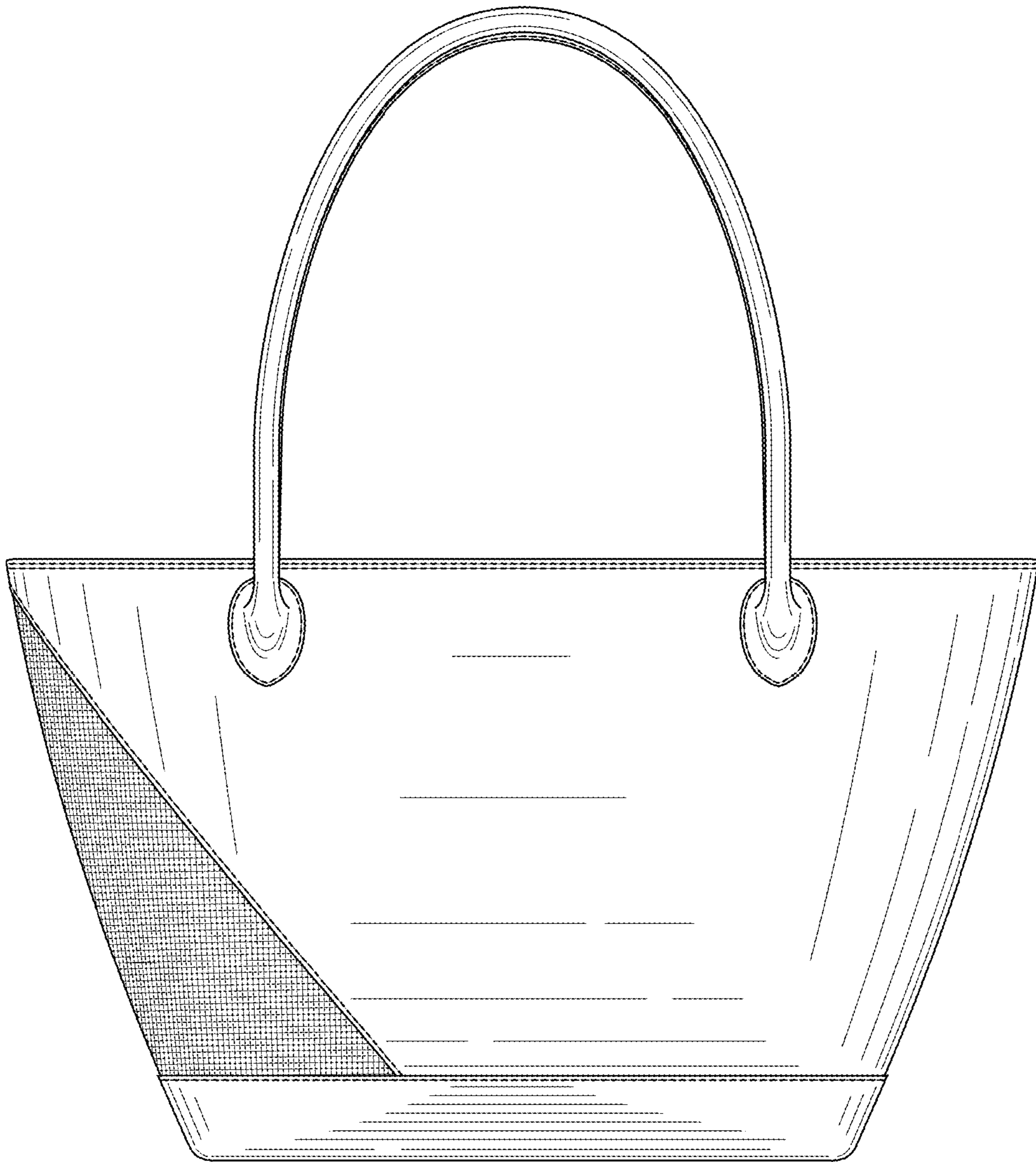


FIG. 10

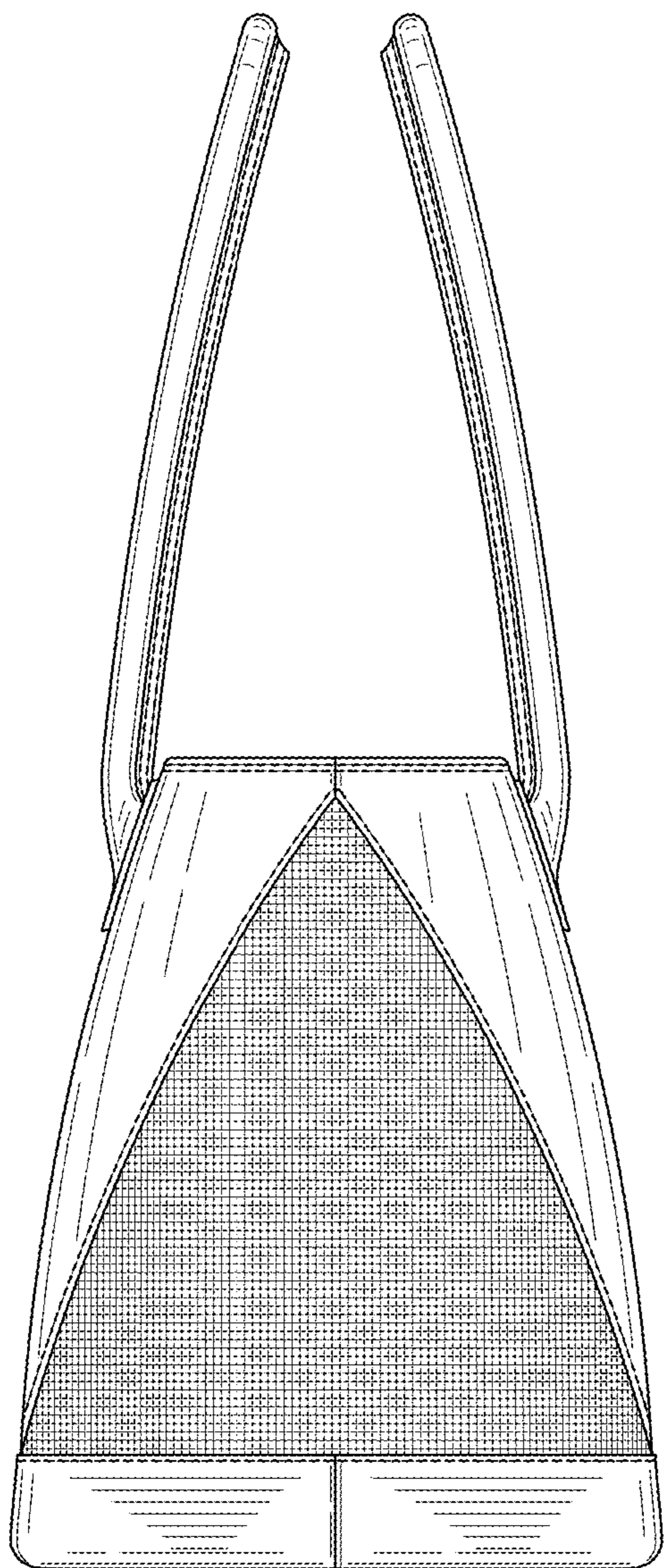


FIG. 11

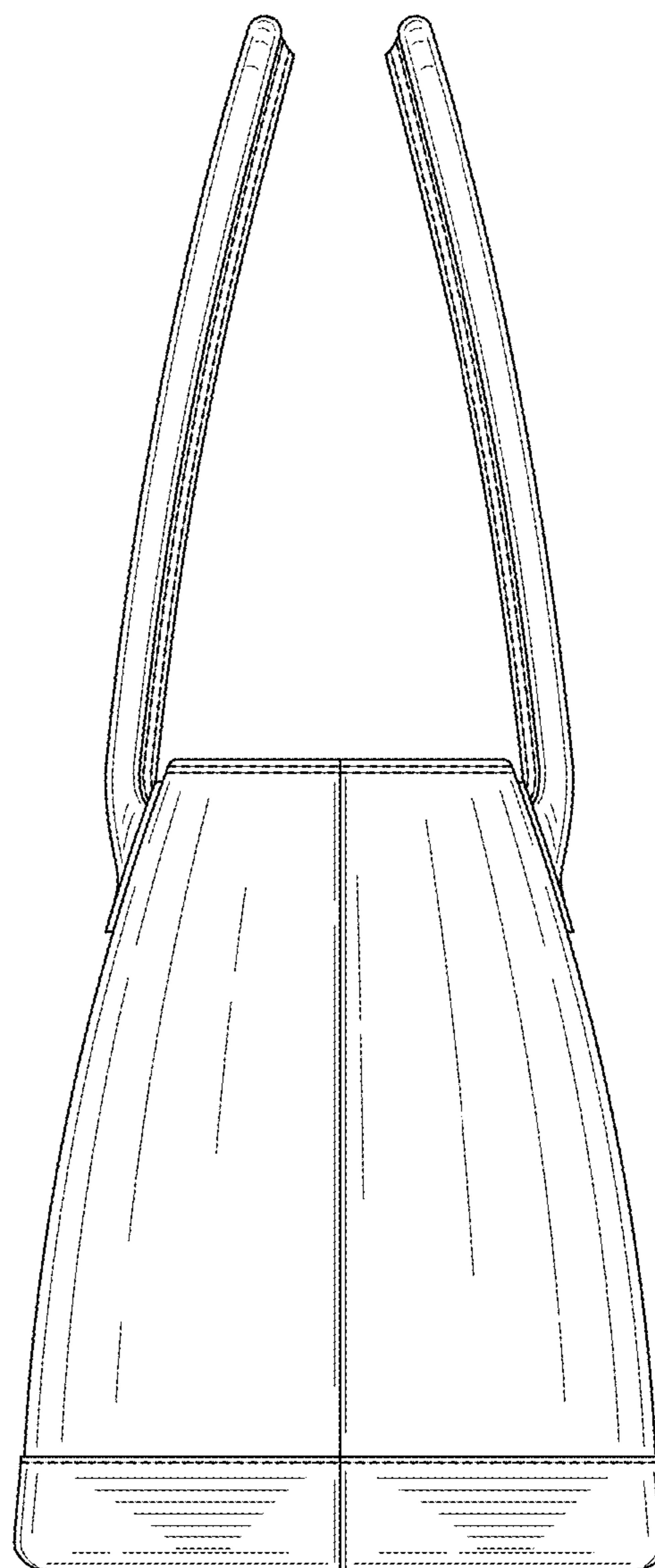


FIG. 12

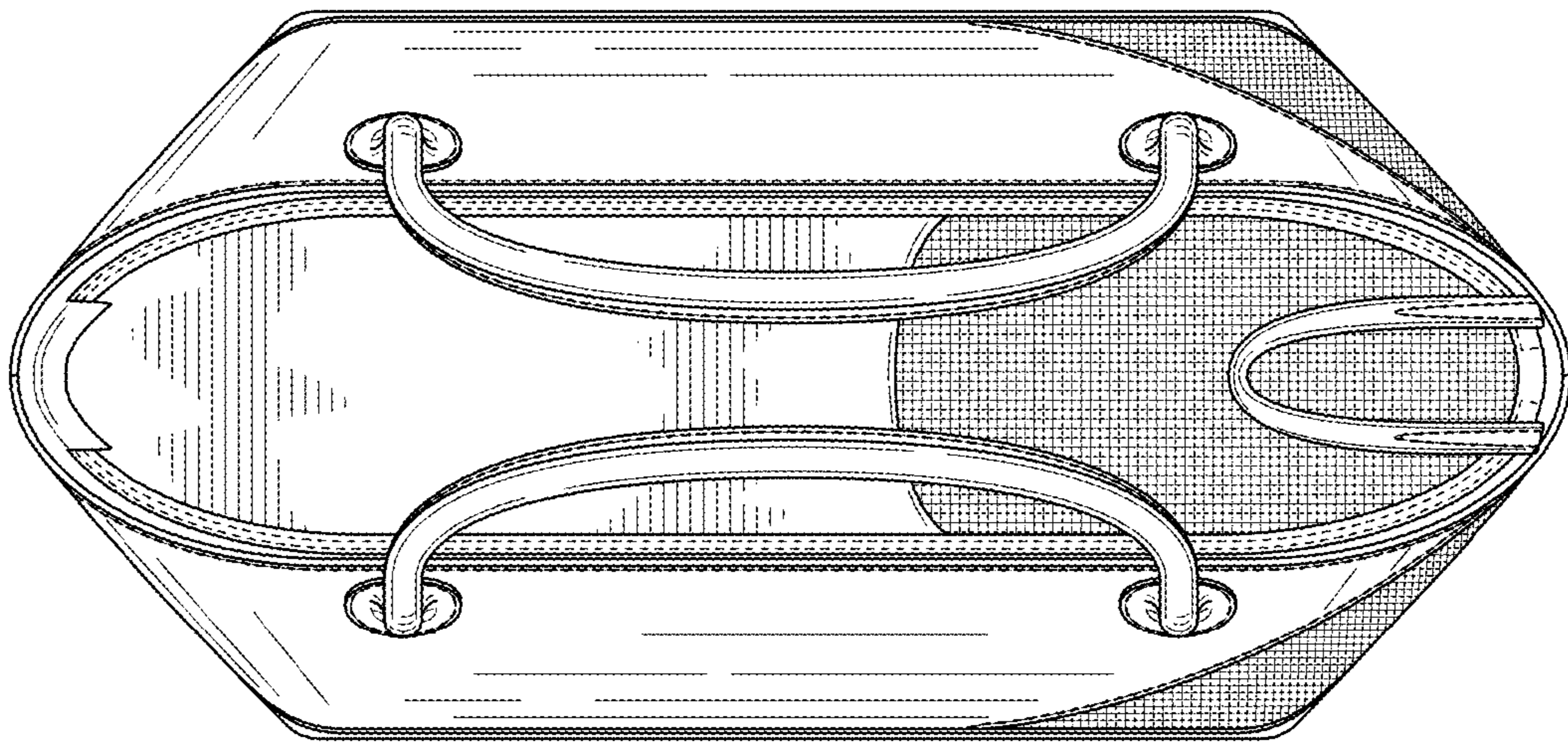


FIG. 13

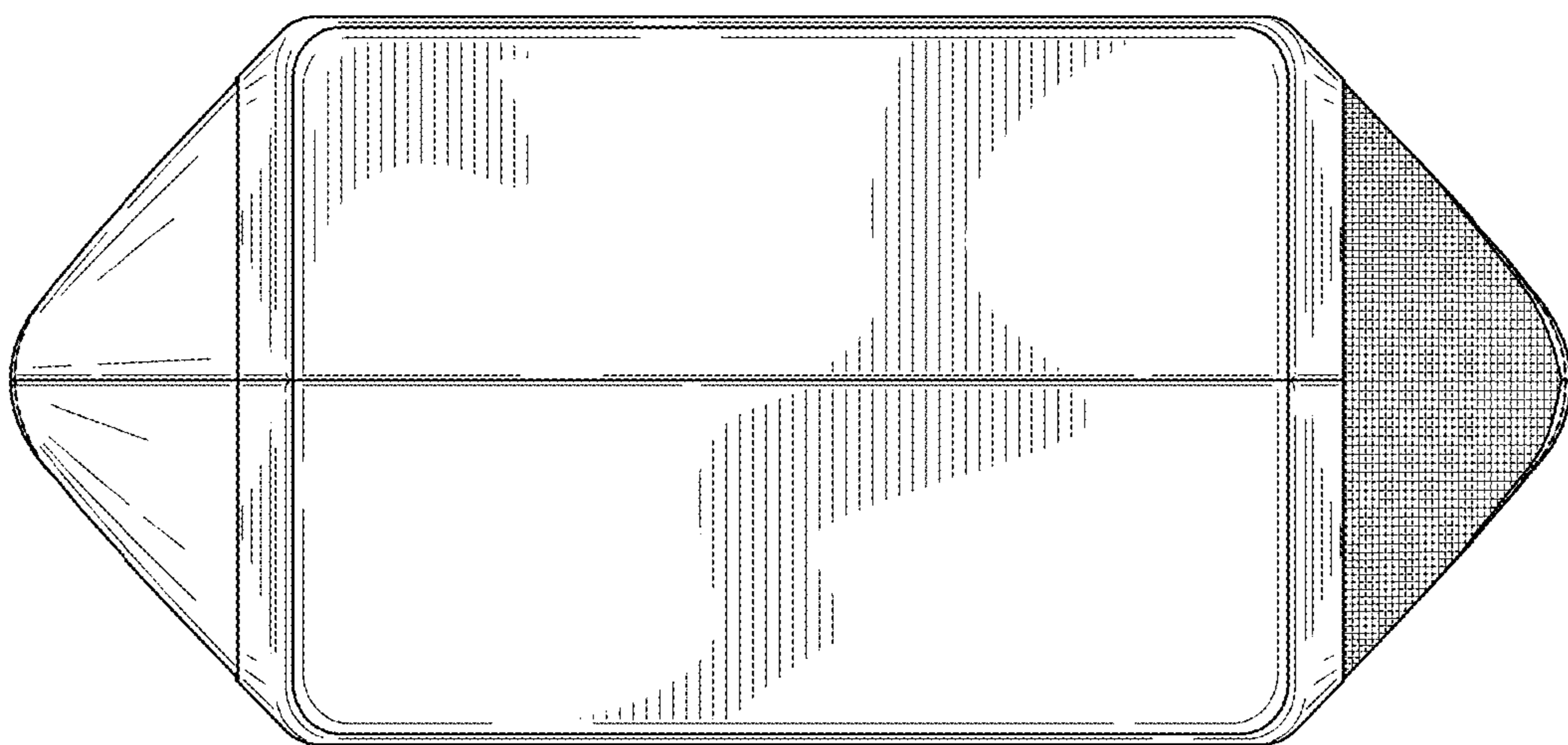


FIG. 14