



US00D773812S

(12) **United States Design Patent** (10) **Patent No.:** **US D773,812 S**  
**Slimane** (45) **Date of Patent:** **\*\* Dec. 13, 2016**

(54) **HANDBAG**  
(71) Applicant: **YVES SAINT LAURENT**, Paris (FR)  
(72) Inventor: **Hedi Slimane**, West Hollywood, CA (US)  
(73) Assignee: **YVES SAINT LAURENT**, Paris (FR)  
(\*\*) Term: **15 Years**

(21) Appl. No.: **29/540,444**  
(22) Filed: **Sep. 24, 2015**  
(51) **LOC (10) Cl.** ..... **03-01**  
(52) **U.S. Cl.**  
USPC ..... **D3/244**  
(58) **Field of Classification Search**  
USPC ..... D3/232-233, 240-246  
CPC ..... A45C 1/024; A45C 3/06  
See application file for complete search history.

(56) **References Cited**  
U.S. PATENT DOCUMENTS

D380,609 S \* 7/1997 Formby ..... D3/232  
D604,505 S \* 11/2009 Gerbi ..... D3/244  
D624,751 S \* 10/2010 McLeod ..... D3/244

D627,158 S \* 11/2010 Dreyfuss ..... D3/244  
\* cited by examiner

*Primary Examiner* — Holly Baynham  
(74) *Attorney, Agent, or Firm* — Donald J. Ranft; Collen IP

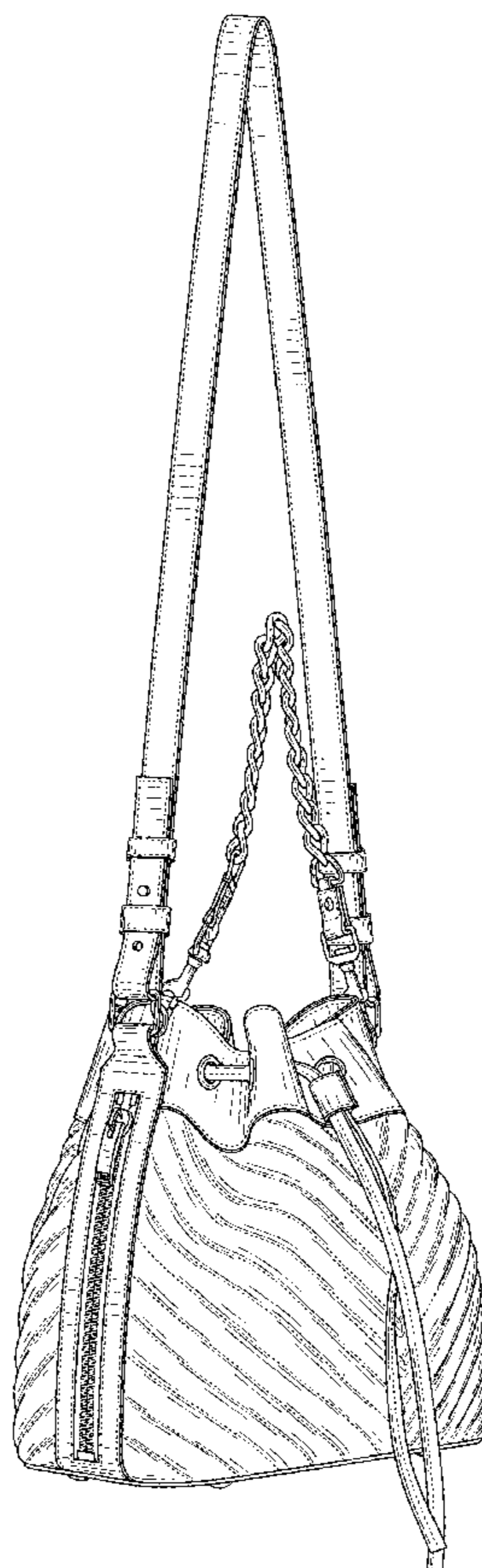
(57) **CLAIM**

The ornamental design for a handbag, as shown and described.

**DESCRIPTION**

FIG. 1 is a front left perspective view of a handbag showing my new design;  
FIG. 2 is a rear right perspective view thereof;  
FIG. 3 is a front view thereof;  
FIG. 4 is a rear view thereof;  
FIG. 5 is a left side view thereof;  
FIG. 6 is a right side view thereof;  
FIG. 7 is a top view thereof;  
FIG. 8 is a bottom view thereof;  
FIG. 9 is a front right perspective view thereof; and,  
FIG. 10 is a rear left perspective view thereof.  
The portions of the handbag shown in broken lines represent thread stitching.

**1 Claim, 8 Drawing Sheets**



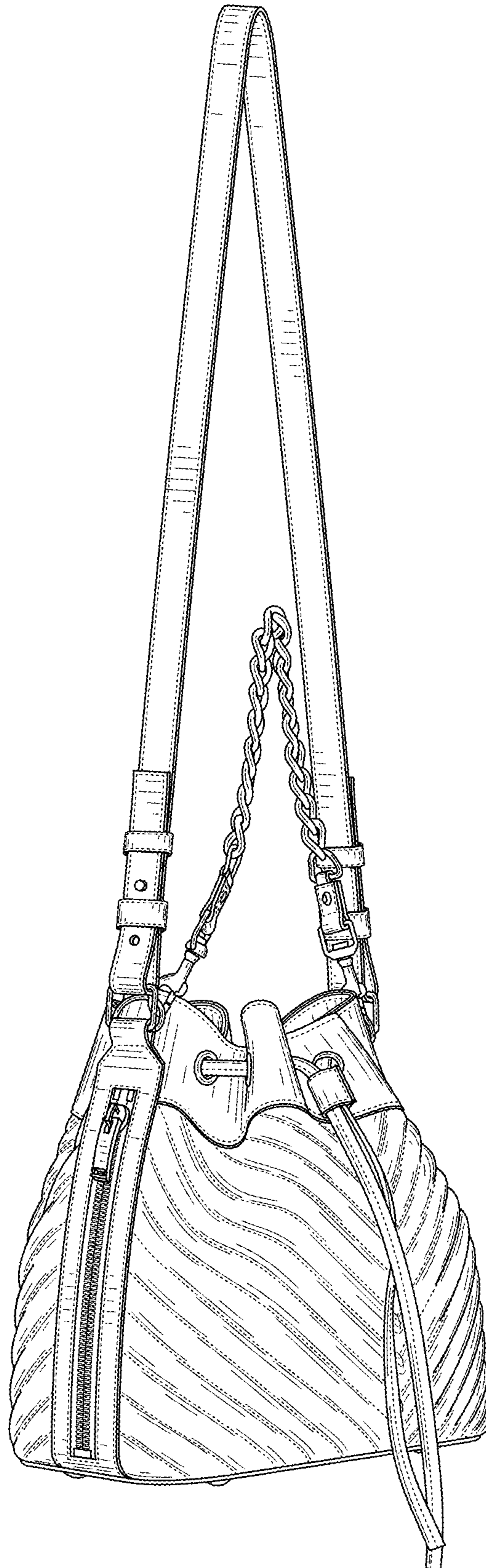


FIG. 1

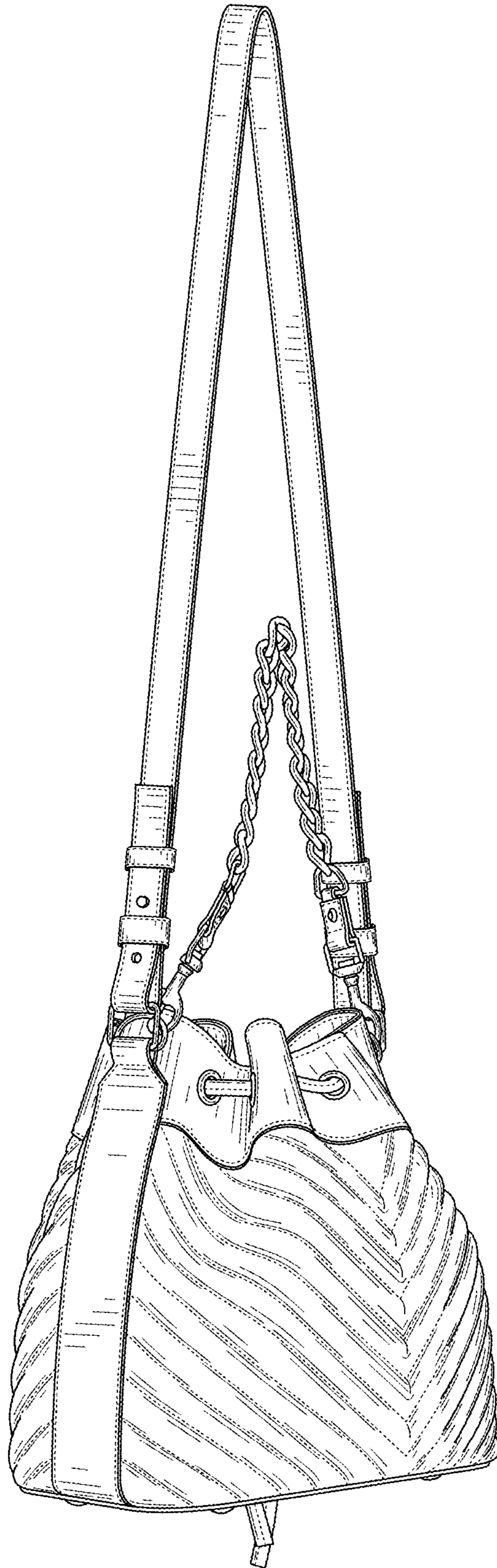


FIG. 2

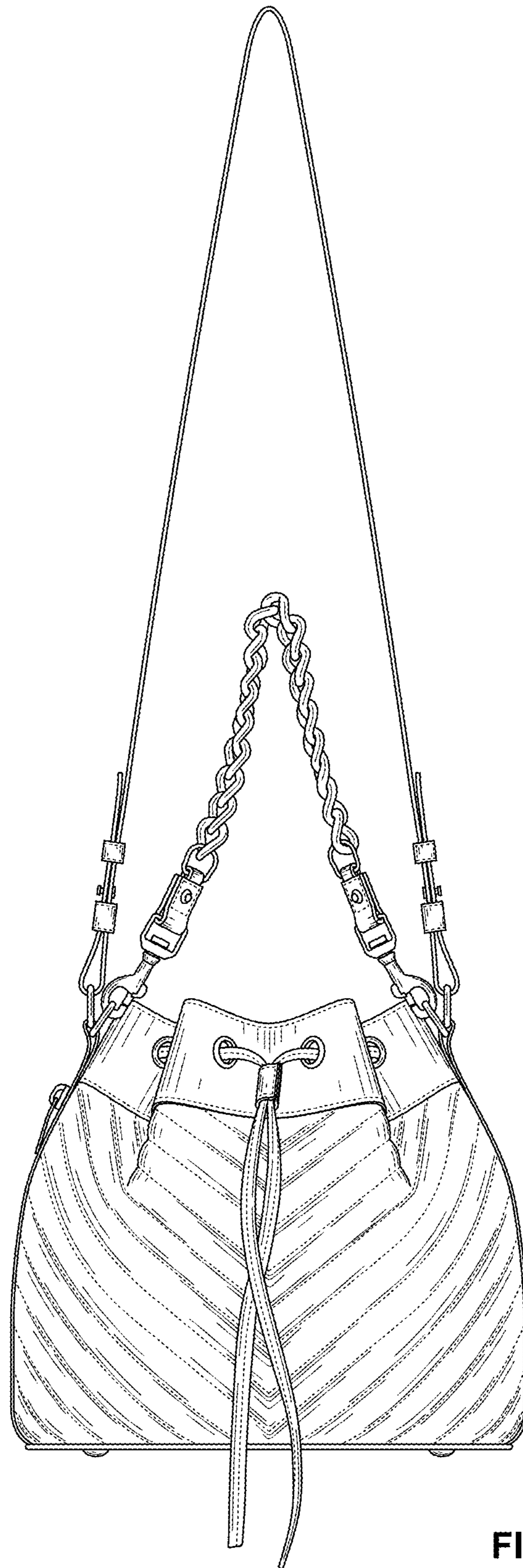


FIG. 3

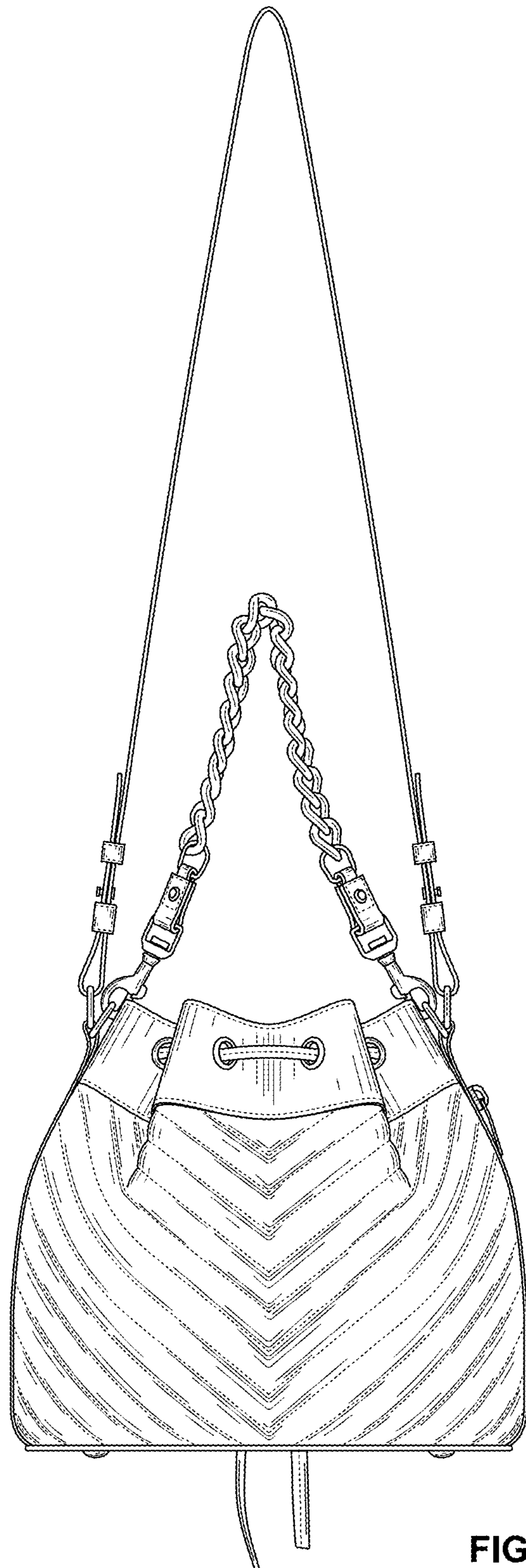


FIG. 4

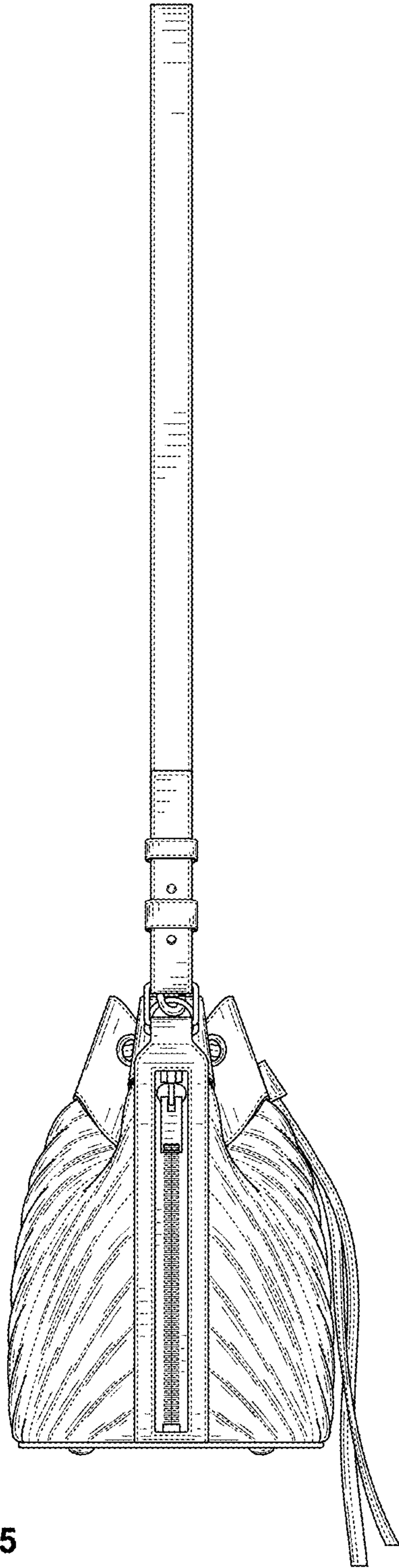


FIG. 5

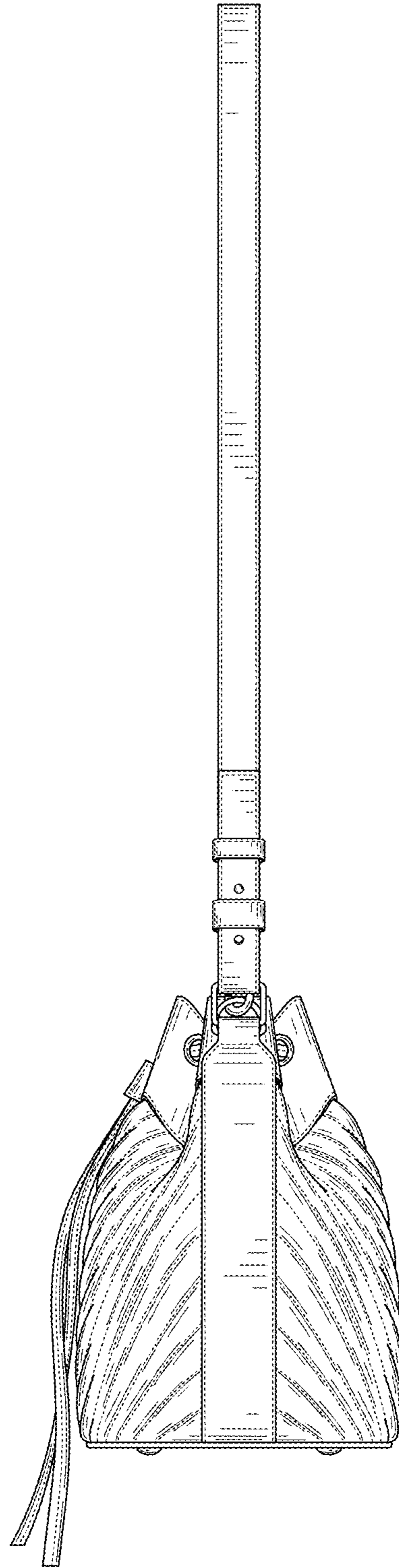


FIG. 6

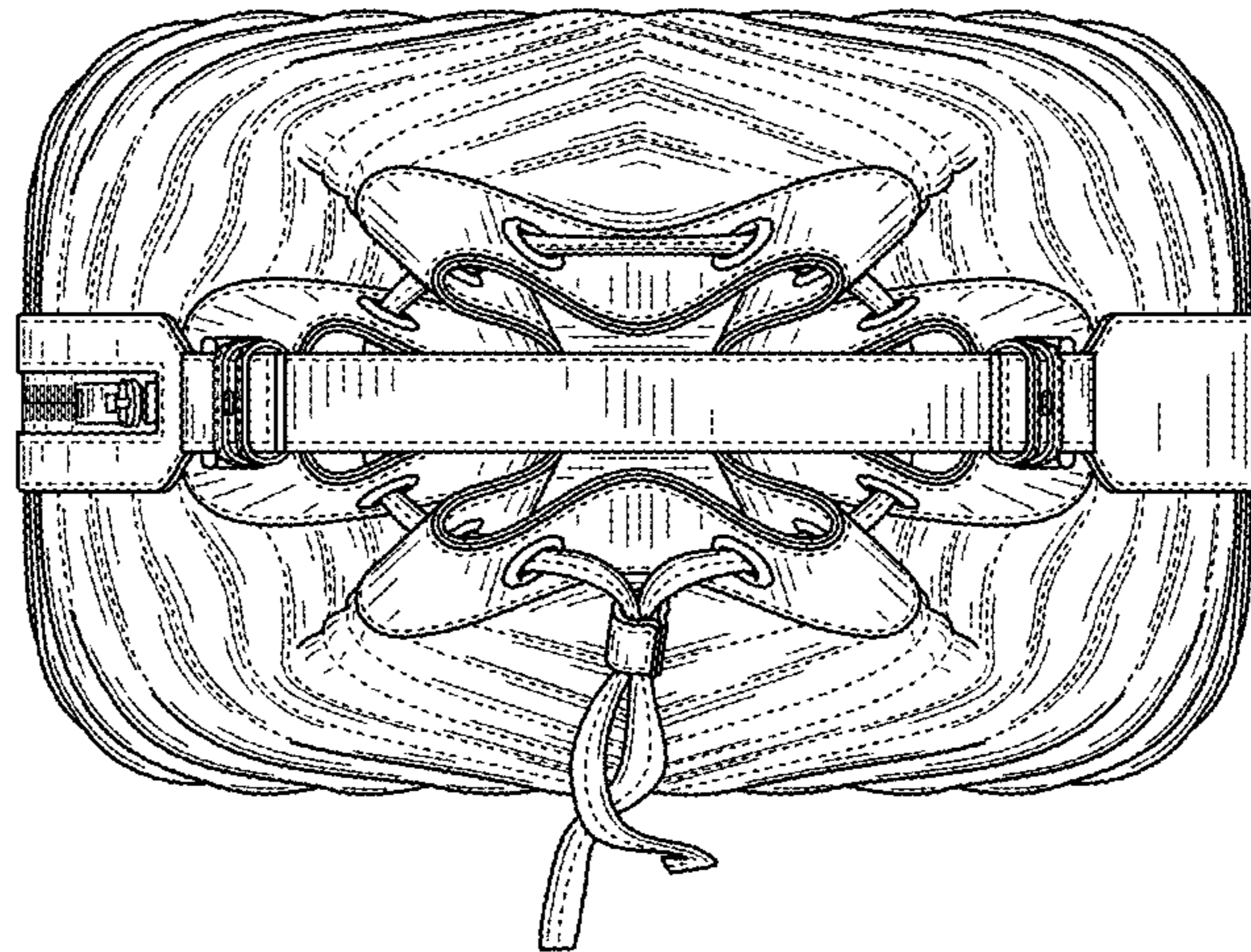


FIG. 7

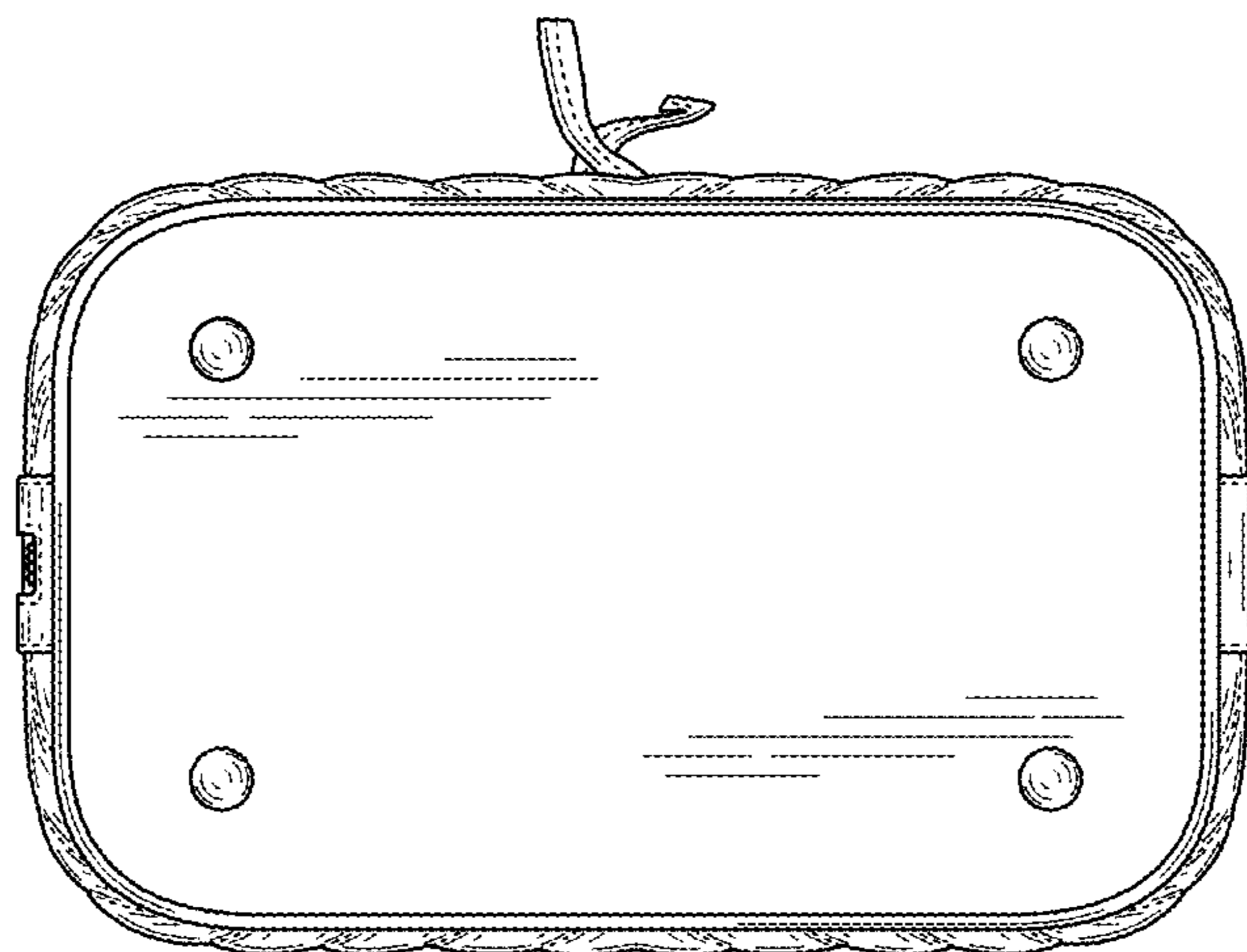


FIG. 8

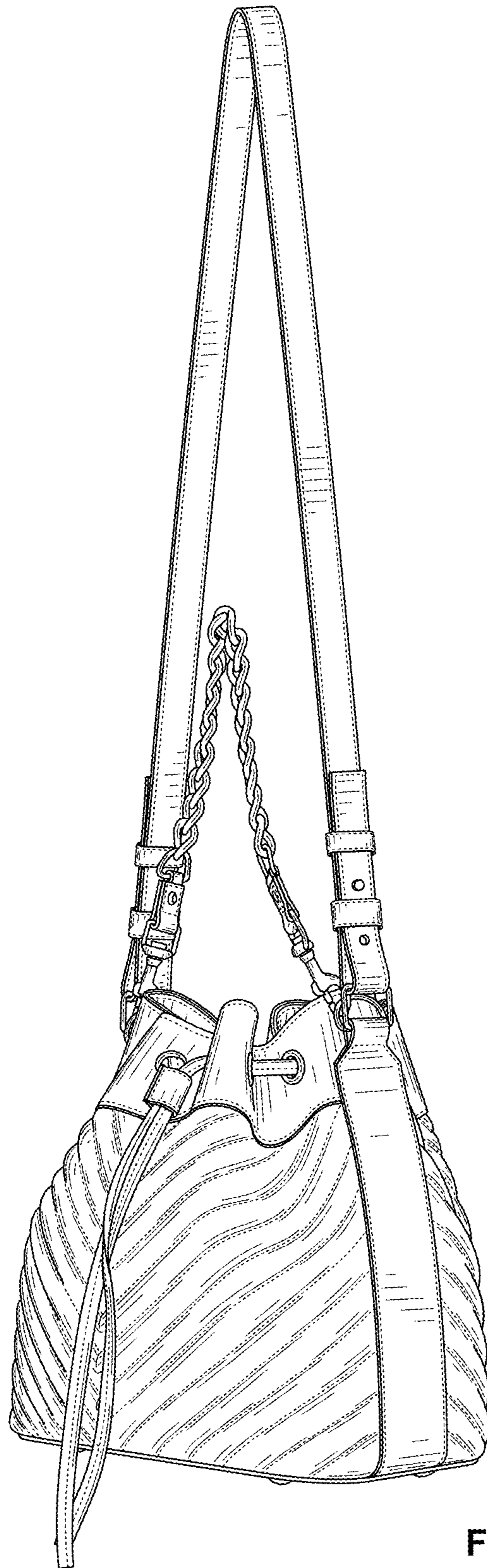


FIG. 9



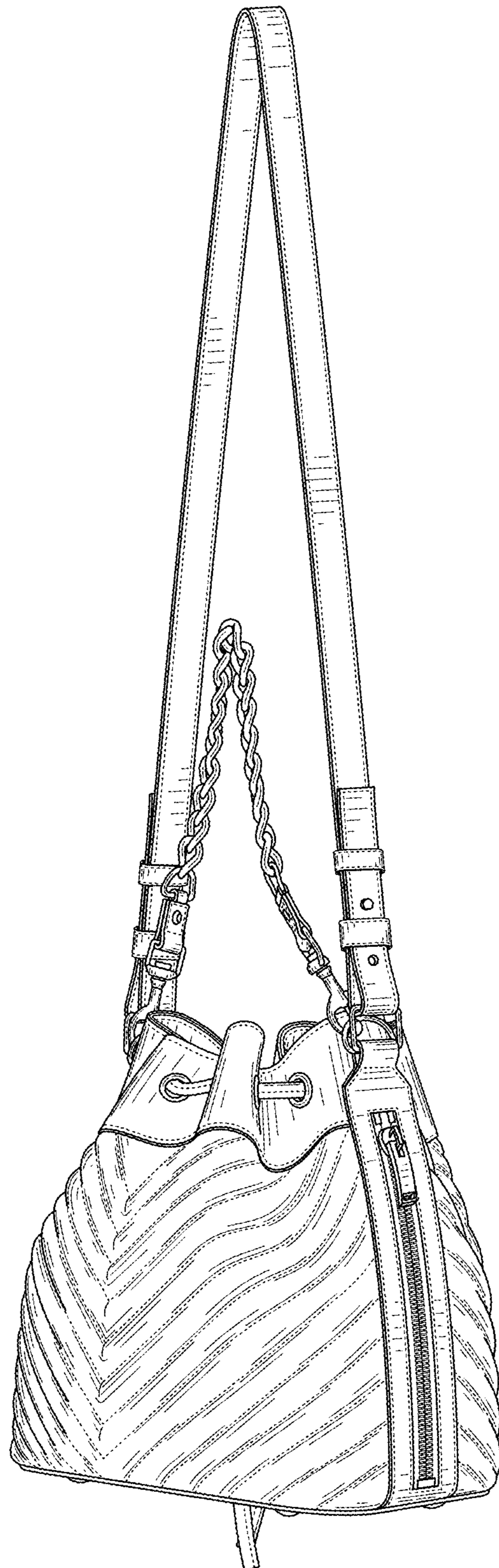


FIG. 10