



US00D773809S

(12) **United States Design Patent** (10) **Patent No.:** **US D773,809 S**
Lieser et al. (45) **Date of Patent:** **** Dec. 13, 2016**

- (54) **BAG**
- (71) Applicant: **Chillinder Coolers, LLC**, Munster, IN (US)
- (72) Inventors: **Jack C. Lieser**, Munster, IN (US);
Michael C. Foreit, Munster, IN (US)
- (73) Assignee: **Chillinder Coolers, LLC**, Munster, IN (US)
- (**) Term: **14 Years**
- (21) Appl. No.: **29/517,421**
- (22) Filed: **Feb. 12, 2015**
- (51) **LOC (10) Cl.** **13-01**
- (52) **U.S. Cl.**
USPC **D3/232; D7/608**
- (58) **Field of Classification Search**
USPC D3/229, 232, 233, 240–243, 244, 245,
D3/246, 318; D7/608, 605, 607, 624.3;
150/100, 103–110, 113, 114, 117–119
CPC ... A45C 13/002; A45C 13/02; A45C 2200/10;
A45C 3/08; A45C 3/06; A45C
3/04; A45C 1/02; A45C 7/0077
See application file for complete search history.

- (56) **References Cited**
U.S. PATENT DOCUMENTS
1,949,677 A * 3/1934 Crawford B65D 81/3886
215/12.1
2,464,069 A * 3/1949 Benson B65D 23/104
206/466

(Continued)

OTHER PUBLICATIONS

Imprintsourc.com, 5054 Cooler, 2013, Imprintsourc.com, <http://www.theimprintsourc.com/ProductDetail/ProductDetail.aspx?>

Ntt=coolers&kid=91926865&Ne=50&Ntx=mode+matchallpartial
&BWS=O%7c1&N=0&DPSV_Id=749115&BSAS=1
&Ntk=WordSearchAsiLinename&Nr=LMSiteEligibility:1
&id=7910248&pSRVC_Id=54#>.

(Continued)

Primary Examiner — Derrick Holland
Assistant Examiner — Jennifer O King
(74) *Attorney, Agent, or Firm* — Leydig, Voit & Mayer, Ltd.

(57) **CLAIM**

The ornamental design for a bag, as shown and described.

DESCRIPTION

FIG. 1 is a perspective view taken from the top side of a bag in accordance with our new design.

FIG. 2 is a front elevational view of the bag of FIG. 1.

FIG. 3 is a rear elevational view of the bag of FIG. 1.

FIG. 4 is a right side elevational view of the bag of FIG. 1.

FIG. 5 is a left side elevational view of the bag of FIG. 1.

FIG. 6 is a top view of the bag of FIG. 1, showing an interior cover in the lowered or closed position.

FIG. 7 is a bottom view of the bag of FIG. 1.

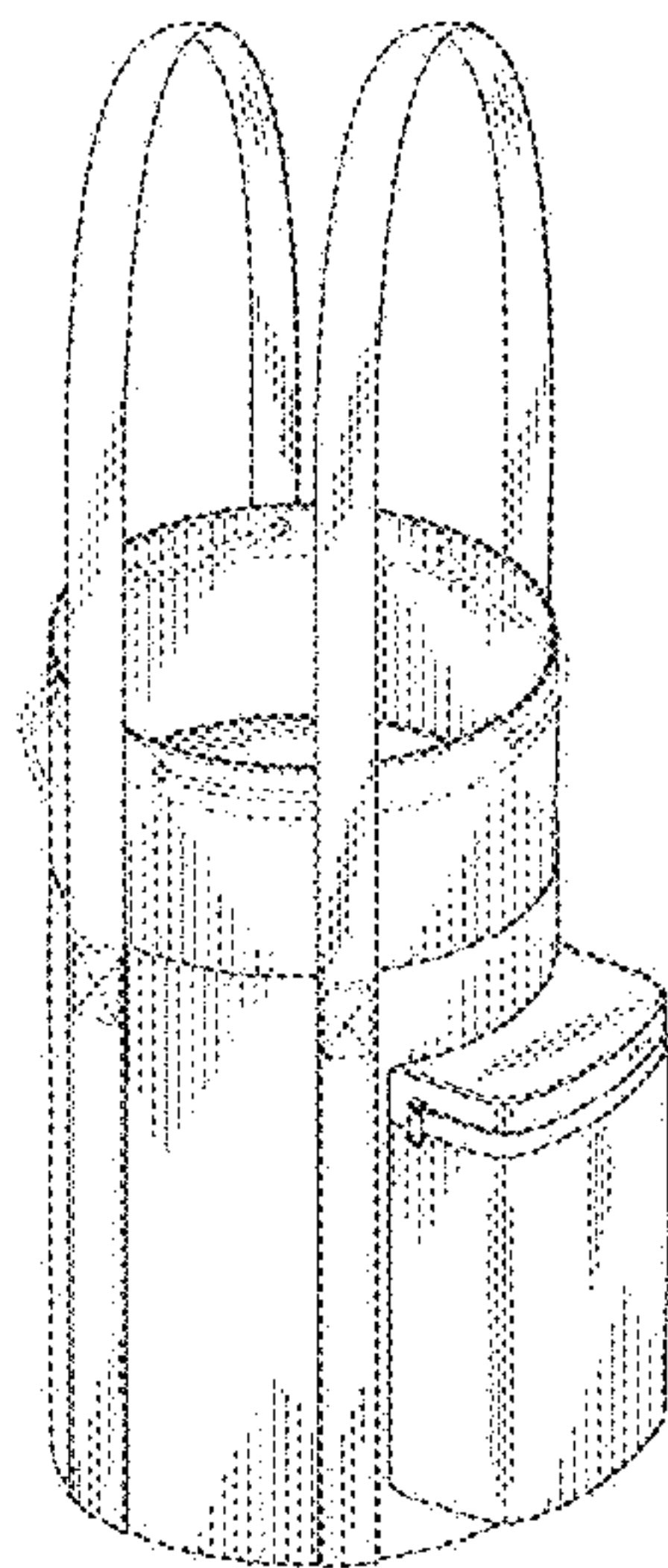
FIG. 8 is a perspective view taken from the top side of the bag of FIG. 1, showing an inner cover in a raised or open position.

FIG. 9 is a perspective view taken from the top side of the bag of FIG. 1, showing an interior cover in a lowered or closed position.

FIG. 10 is a top view of the bag of FIG. 8; and, FIG. 11 is an exploded perspective view of the bag showing an interior liner removed from the bag of FIG. 1.

The broken lines showing the grommets and drawstring, and also the circular edge in FIG. 7, form no part of the claimed design. The remaining broken lines represent stitching and form no part of the claimed design.

1 Claim, 6 Drawing Sheets



(56)

References Cited

U.S. PATENT DOCUMENTS

2,954,891 A * 10/1960 Imber B65D 81/3834
 220/592.2
 D226,743 S * 4/1973 Lee D3/244
 D273,833 S * 5/1984 Taylor D3/244
 4,468,933 A * 9/1984 Christopher A45C 11/20
 383/110
 4,468,993 A 9/1984 McCown et al.
 D288,653 S * 3/1987 Crymes D7/606
 4,802,344 A 2/1989 Livingston et al.
 4,963,175 A 10/1990 Pace
 5,216,900 A 6/1993 Jones
 5,251,460 A * 10/1993 DeMarco B65D 81/3886
 220/592.19
 D366,812 S 2/1996 Collins et al.
 D370,599 S * 6/1996 Christopher D3/287
 D393,779 S * 4/1998 Cabey D7/607
 5,758,513 A 6/1998 Smith
 D403,855 S * 1/1999 Champommier D3/229
 5,987,913 A 11/1999 Andrzejczak
 D419,770 S * 2/2000 Mogil D3/276
 6,082,896 A 7/2000 Pulli et al.
 D432,785 S * 10/2000 Berg D3/229
 D434,609 S * 12/2000 Yu D7/607
 6,237,776 B1 * 5/2001 Mogil A45C 3/00
 150/106
 6,401,993 B1 * 6/2002 Andrino A45F 5/00
 224/148.5
 6,439,389 B1 8/2002 Mogil
 6,481,239 B2 11/2002 Hodosh et al.
 D474,887 S * 5/2003 Forster D3/229

D476,477 S * 7/2003 DeChant D3/205
 6,629,430 B2 10/2003 Mills et al.
 D501,602 S * 2/2005 Karlsson D3/255
 D544,312 S 6/2007 Dill-Schmidt et al.
 7,252,213 B1 8/2007 DeSanto
 D567,595 S * 4/2008 Christopher D3/229
 D577,483 S * 9/2008 Tagliati D3/202
 D580,164 S * 11/2008 Boretti D3/238
 D581,658 S * 12/2008 Leslie D3/229
 7,815,069 B1 10/2010 Bellofatto et al.
 D671,372 S * 11/2012 Zou D7/608
 8,662,413 B2 * 3/2014 Rotondo B05B 9/0861
 239/152
 D704,437 S * 5/2014 Di Meglio D3/244

OTHER PUBLICATIONS

Alibaba.com, Popular Collapsible Insulated Cylinder Travel Insulated Wine Cooler Bags, 2013, Alibaba.com, <http://www.alibaba.com/product-gs/491043323/Popular_Collapsible_Insulated_Cylinder_Travel_Insulated.html>.
 Coleman, 9 Can Round Cooler, Jan. 2, 2014, Coleman, <<http://www.colemancanada.ca/product/9-can-round-cooler/2000008784?contextCategory=0809#UsWnDk1ME5s>>.
 Promotional Items, 10 Pack Round Soft Sided Cooler, Jan. 2, 2014, Promotional Items, <http://www.promotional-items-inc.com/catalog/soft_sided_cooler_10pack_round.html>.
 Walmart, Logo Chair NCAA Oregon 16.5"×19" Trash Can Cooler, 2013, Walmart.com, <<http://www.walmart.com/ip/Oregon-16.5-x-19-Trash-Can-Cooler/20920321>>.

* cited by examiner

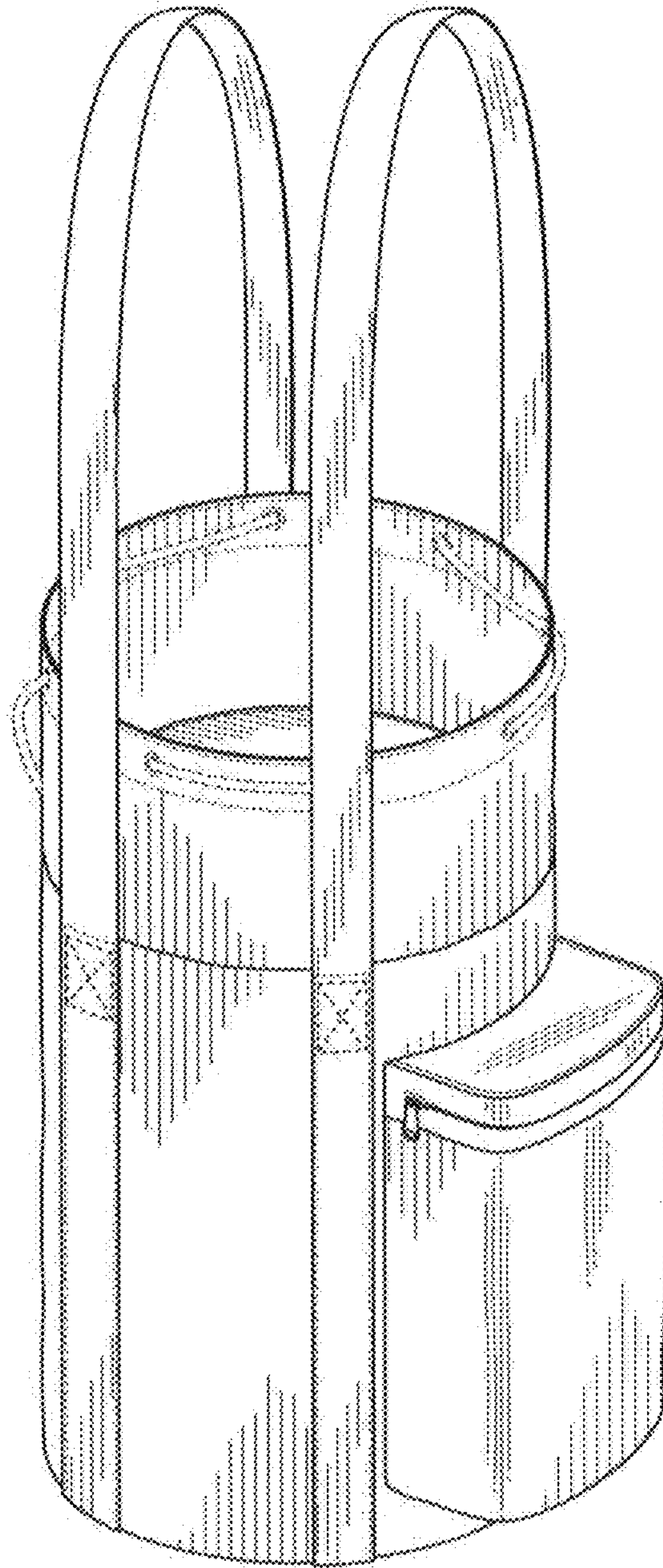


FIG. 1

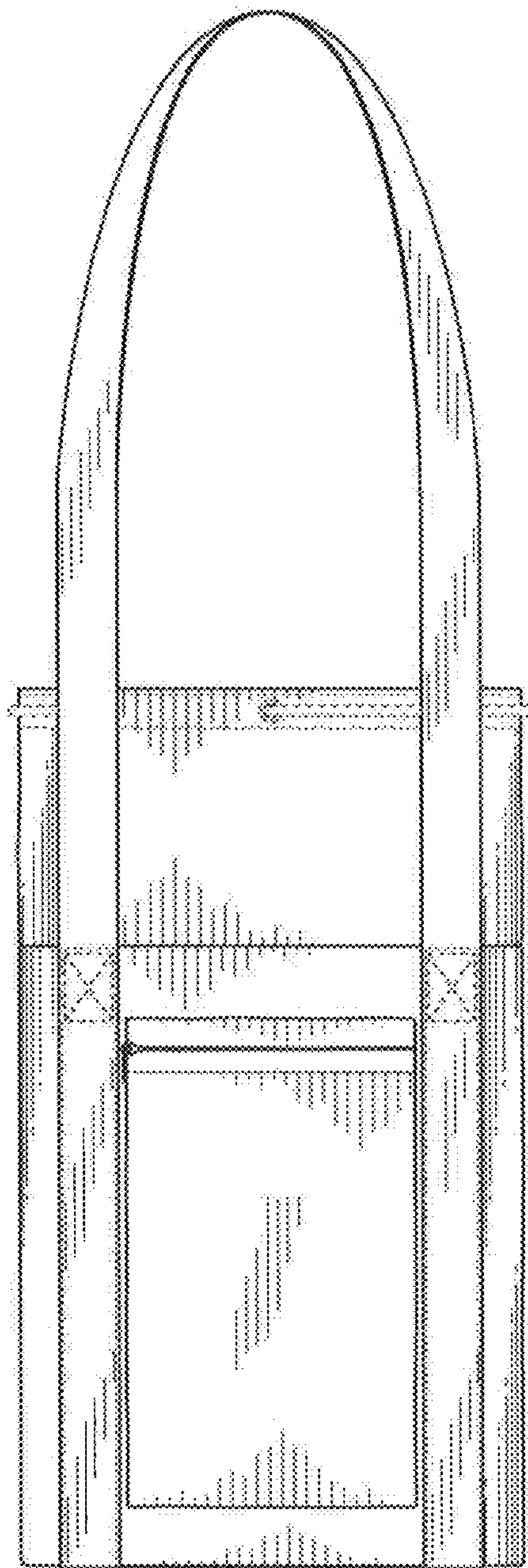


FIG. 2

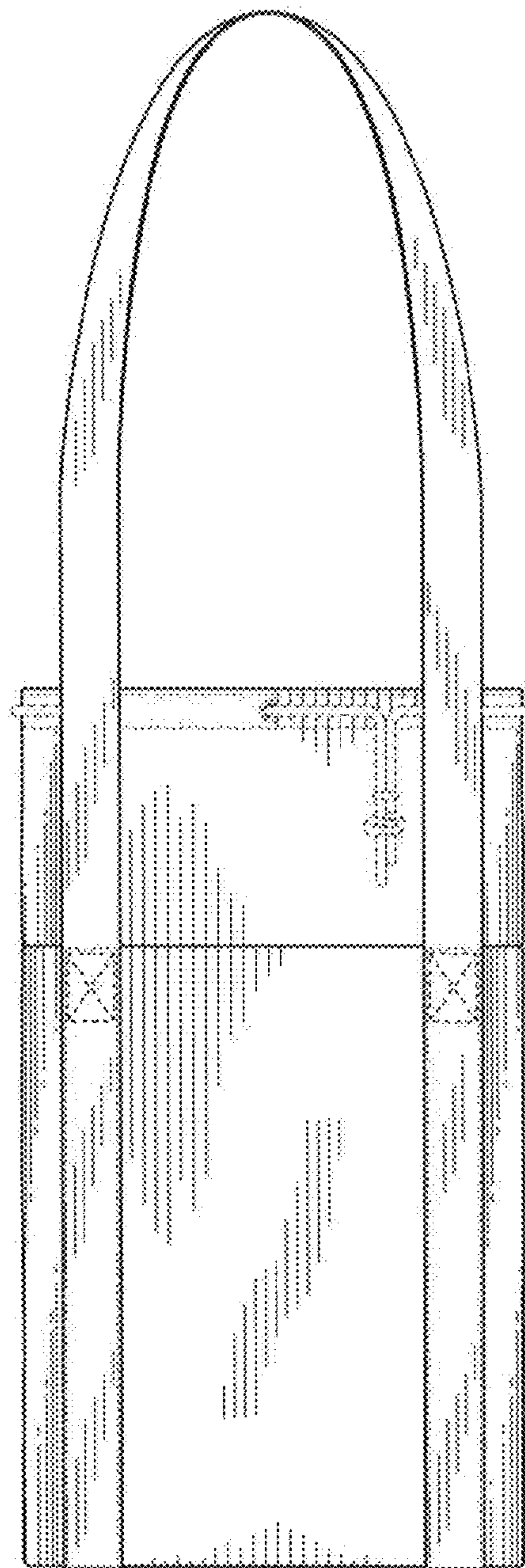


FIG. 3

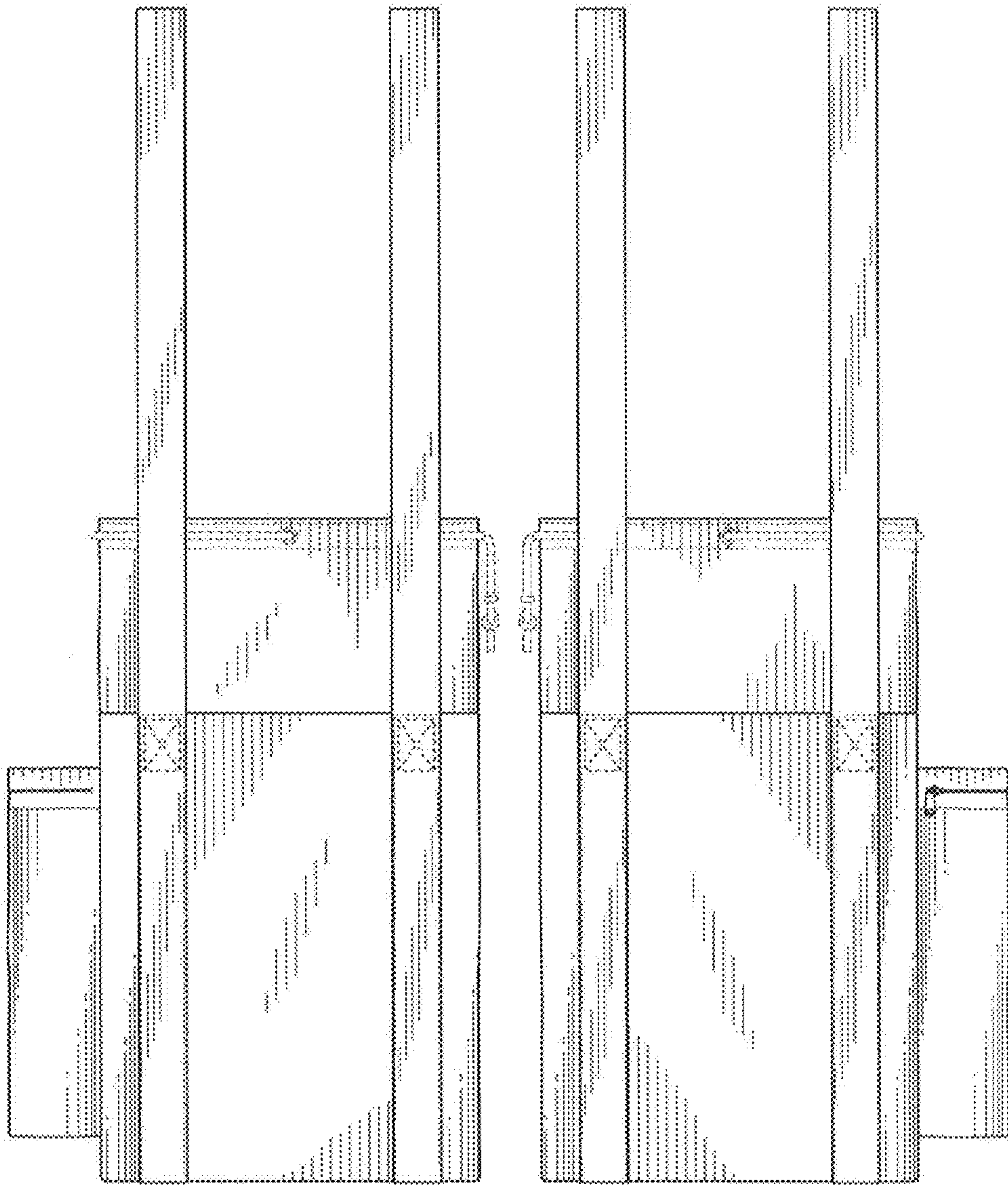


FIG. 4

FIG. 5

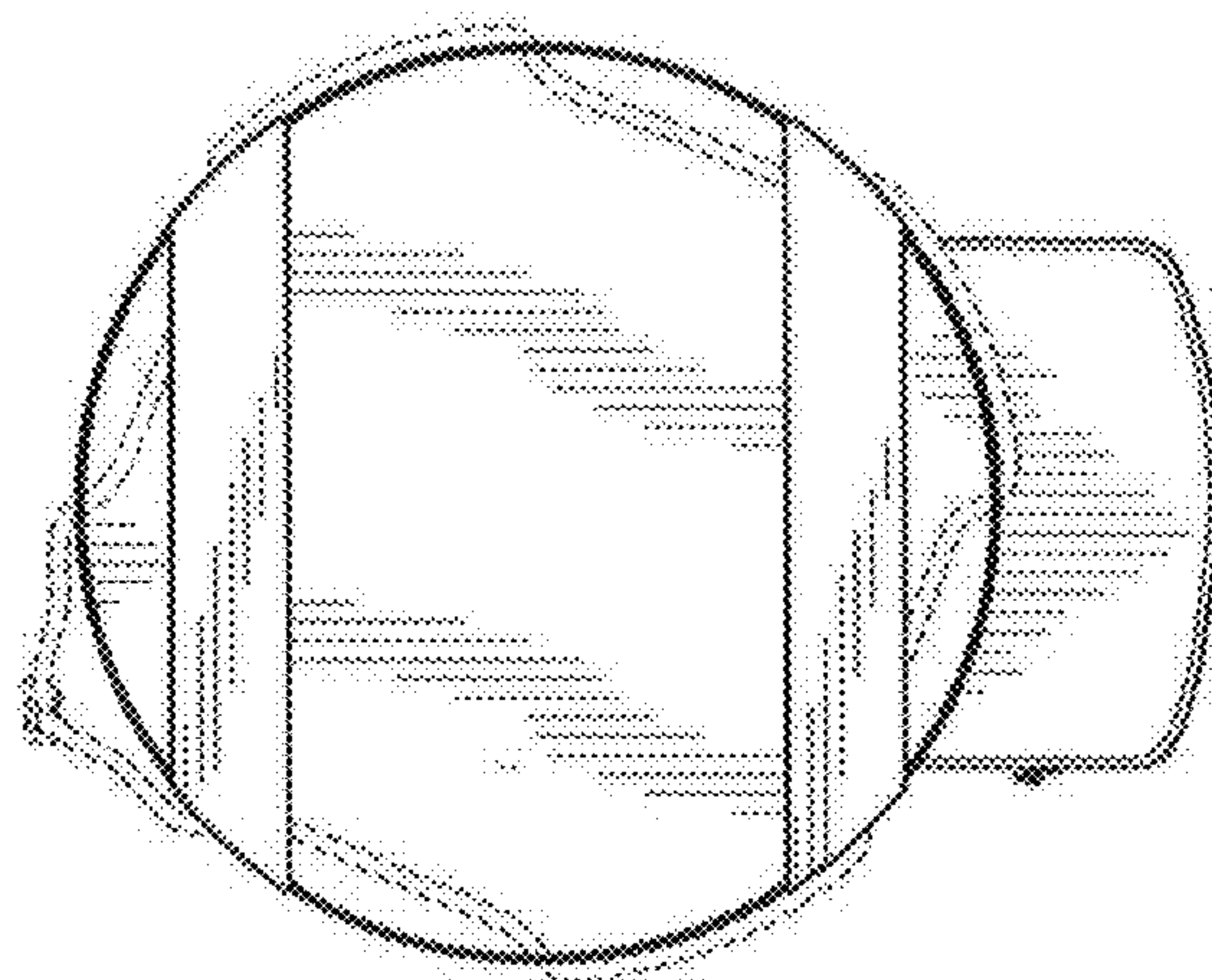


FIG. 6

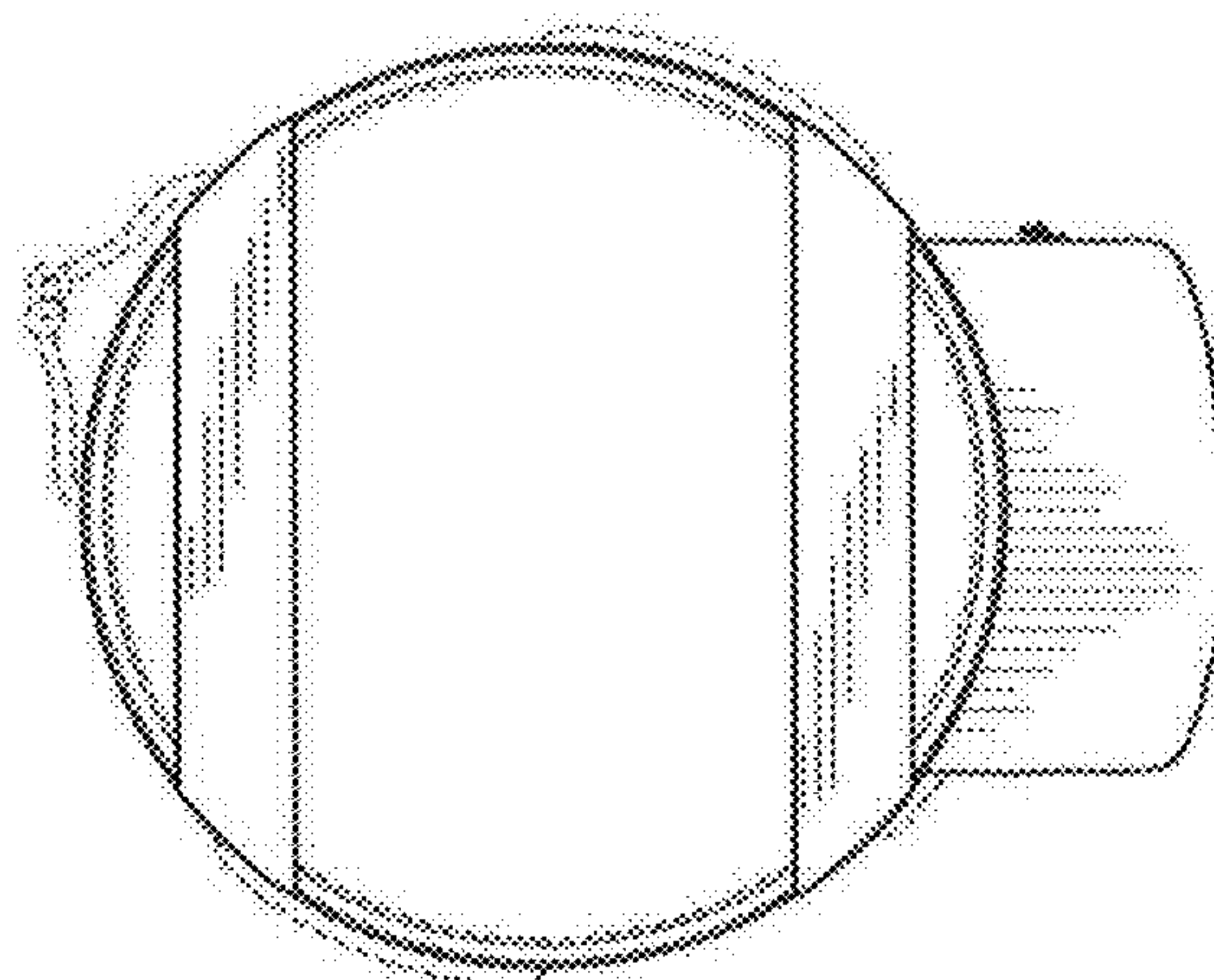


FIG. 7

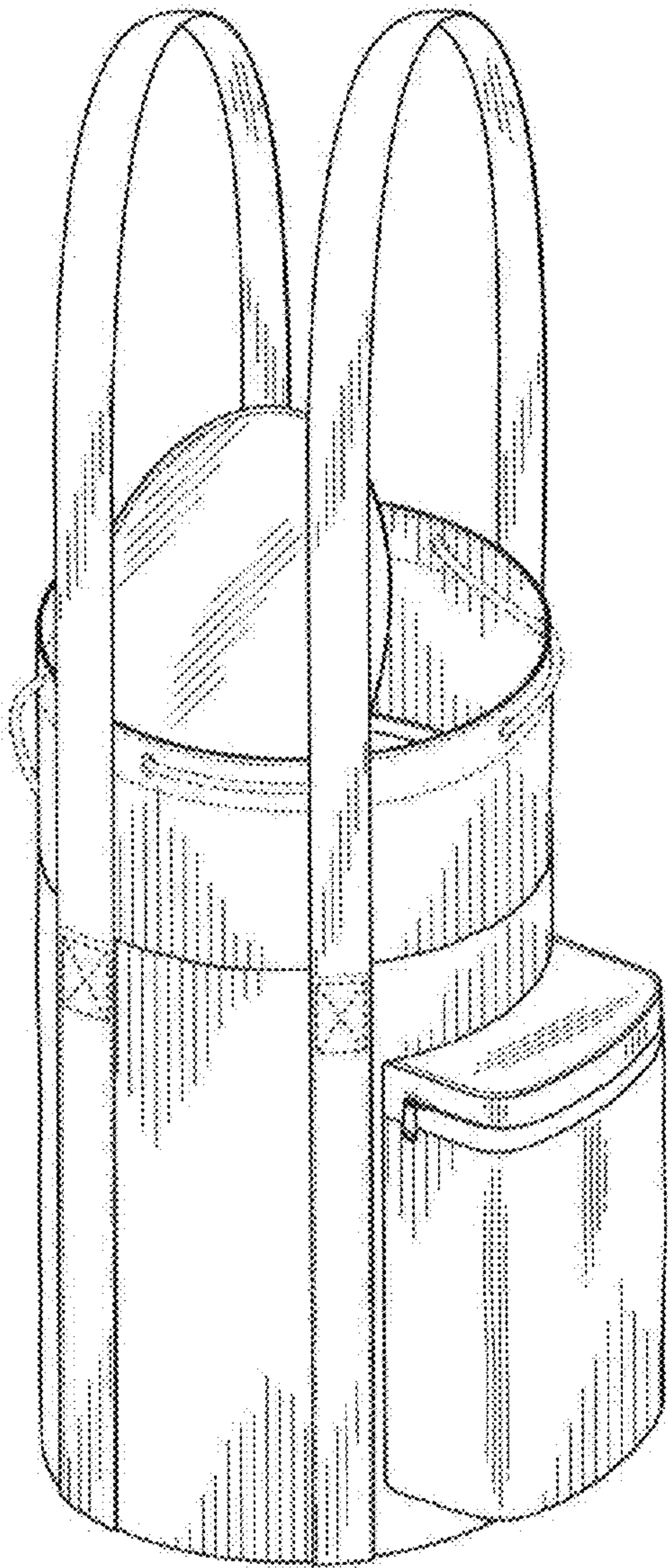


FIG. 8

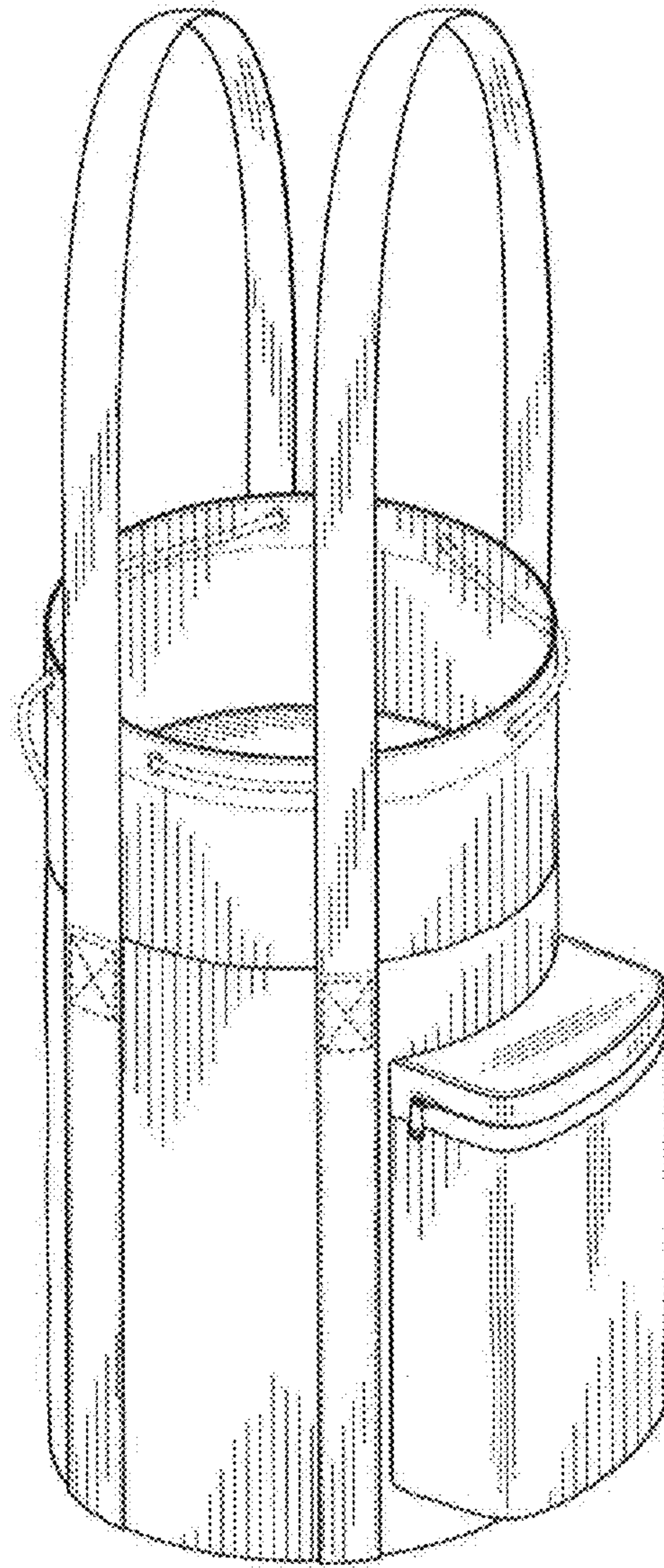


FIG. 9

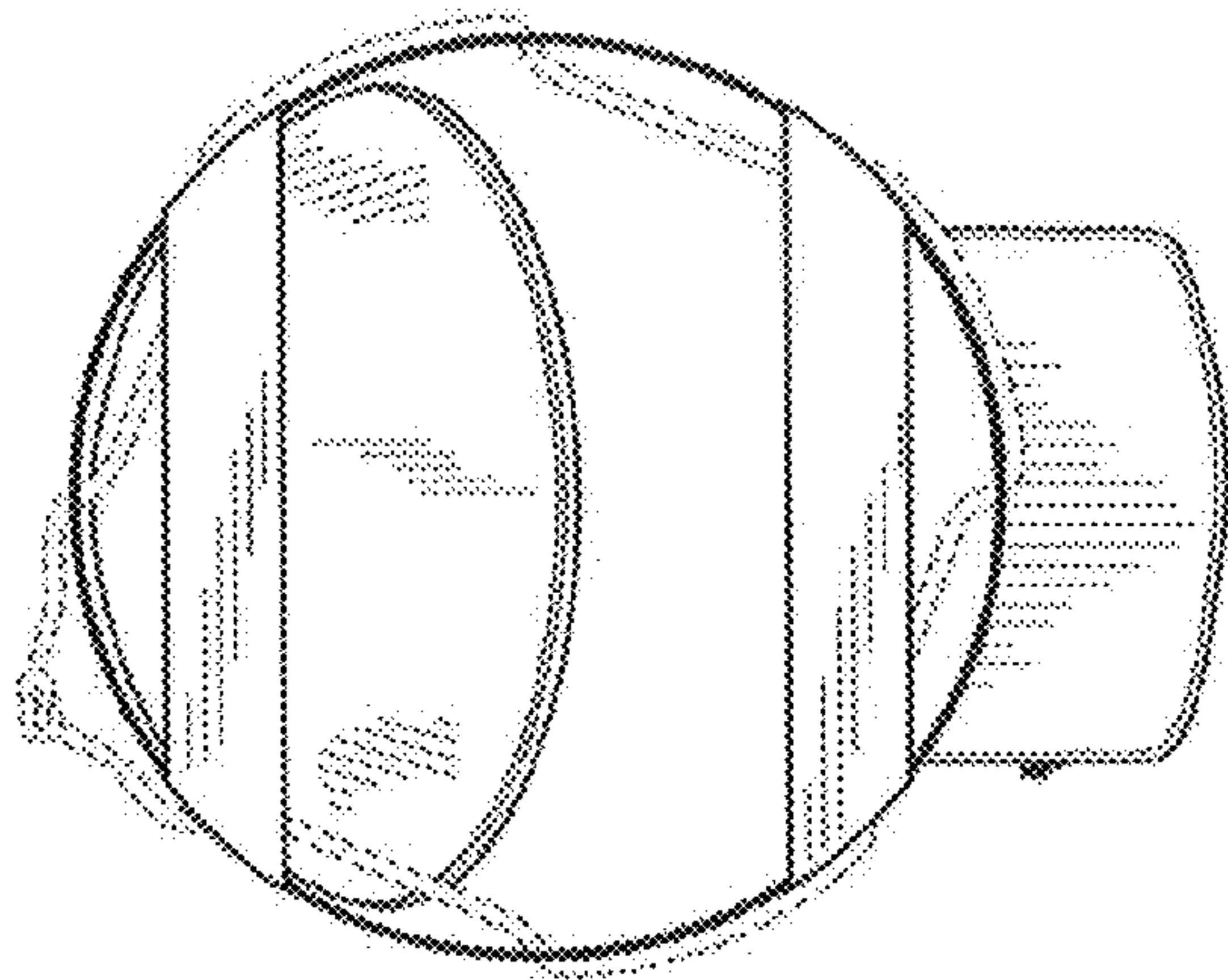


FIG. 10

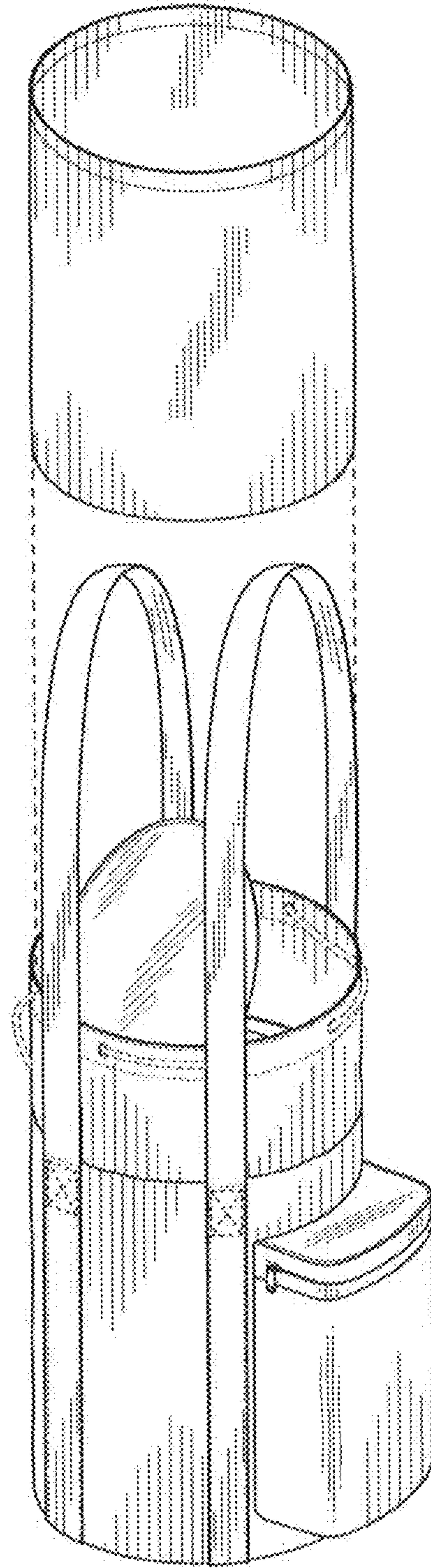


FIG. 11