



US00D773808S

(12) **United States Design Patent** (10) **Patent No.:** **US D773,808 S**
Borgo et al. (45) **Date of Patent:** **** Dec. 13, 2016**

(54) **HANDBAG**

(71) Applicant: **Eddie Borgo Leather, Inc.**, New York, NY (US)

(72) Inventors: **Edward M. Borgo**, New York, NY (US); **Sapna A. Shah**, Brooklyn, NY (US)

(73) Assignee: **EDDIE BORGO LEATHER, INC.**, New York, NY (US)

(**) Term: **14 Years**

(21) Appl. No.: **29/515,588**

(22) Filed: **Jan. 23, 2015**

(51) **LOC (10) Cl.** **03-01**

(52) **U.S. Cl.**
USPC **D3/232**

(58) **Field of Classification Search**
USPC D3/232–238, 240–243, 245–246, 318;
150/100, 103–110, 113–114, 117–119
CPC A45C 3/06; A45C 3/08
See application file for complete search history.

(56) **References Cited**

U.S. PATENT DOCUMENTS

1,598,719 A * 9/1926 Hiering A45C 13/26
150/108
D137,864 S * 5/1944 Jolles 150/118

D138,906 S * 9/1944 Rubin D3/243
2,727,548 A * 12/1955 Kasdan A45C 3/06
150/107
D227,945 S * 7/1973 Hirtz D3/246
D564,223 S * 3/2008 Messineo D3/243
D584,047 S * 1/2009 Messineo D3/243

* cited by examiner

Primary Examiner — Derrick Holland

Assistant Examiner — Jennifer O King

(74) *Attorney, Agent, or Firm* — Gottlieb, Rackman & Reisman, PC

(57) **CLAIM**

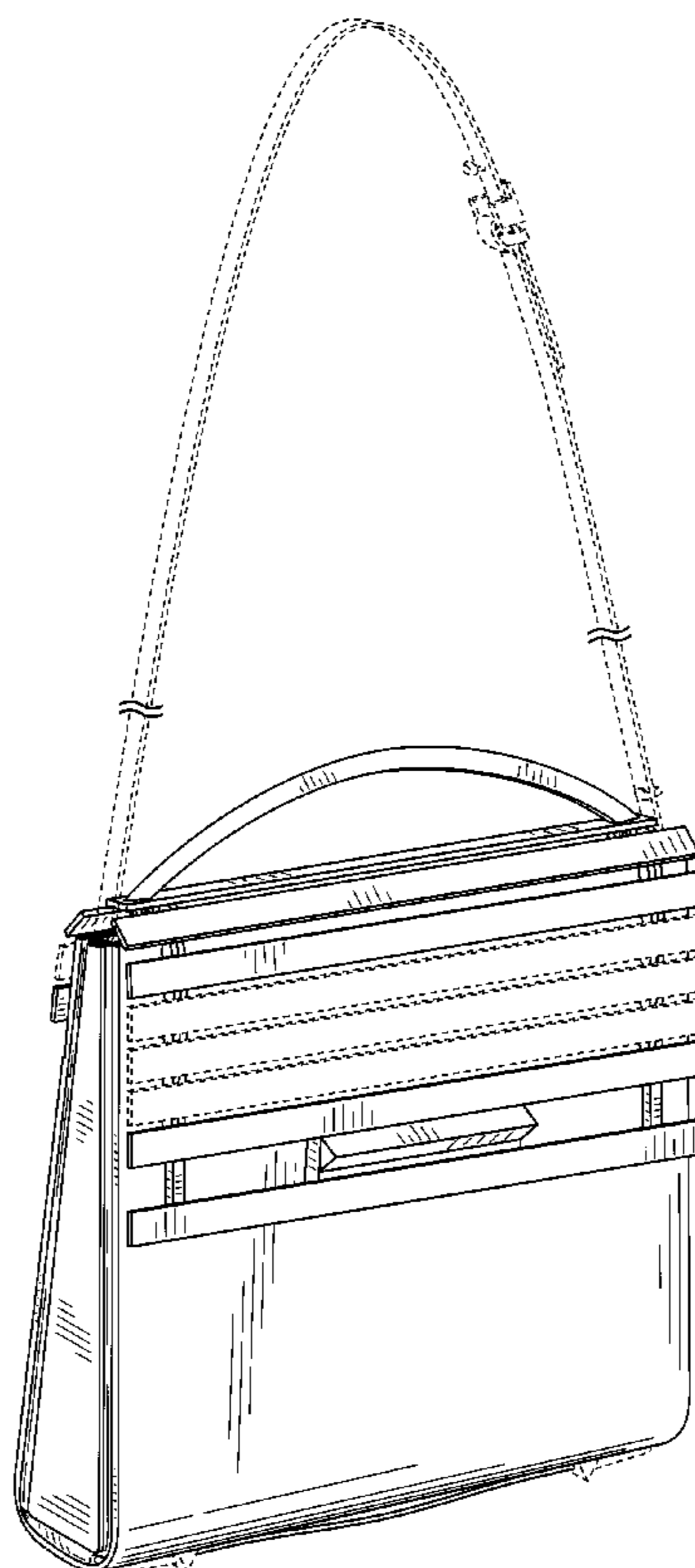
The ornamental design for a handbag, as shown and described.

DESCRIPTION

FIG. 1 is a perspective view of a handbag;
 FIG. 2 is a front view thereof;
 FIG. 3 is a rear view thereof;
 FIG. 4 is a right side view thereof;
 FIG. 5 is a left side view thereof;
 FIG. 6 is a top plan view thereof;
 FIG. 7 is a bottom plan view thereof; and,
 FIG. 8 is a perspective view thereof shown in an open position.

The broken lines shown represent unclaimed subject matter and form no part of the claimed design.

1 Claim, 6 Drawing Sheets



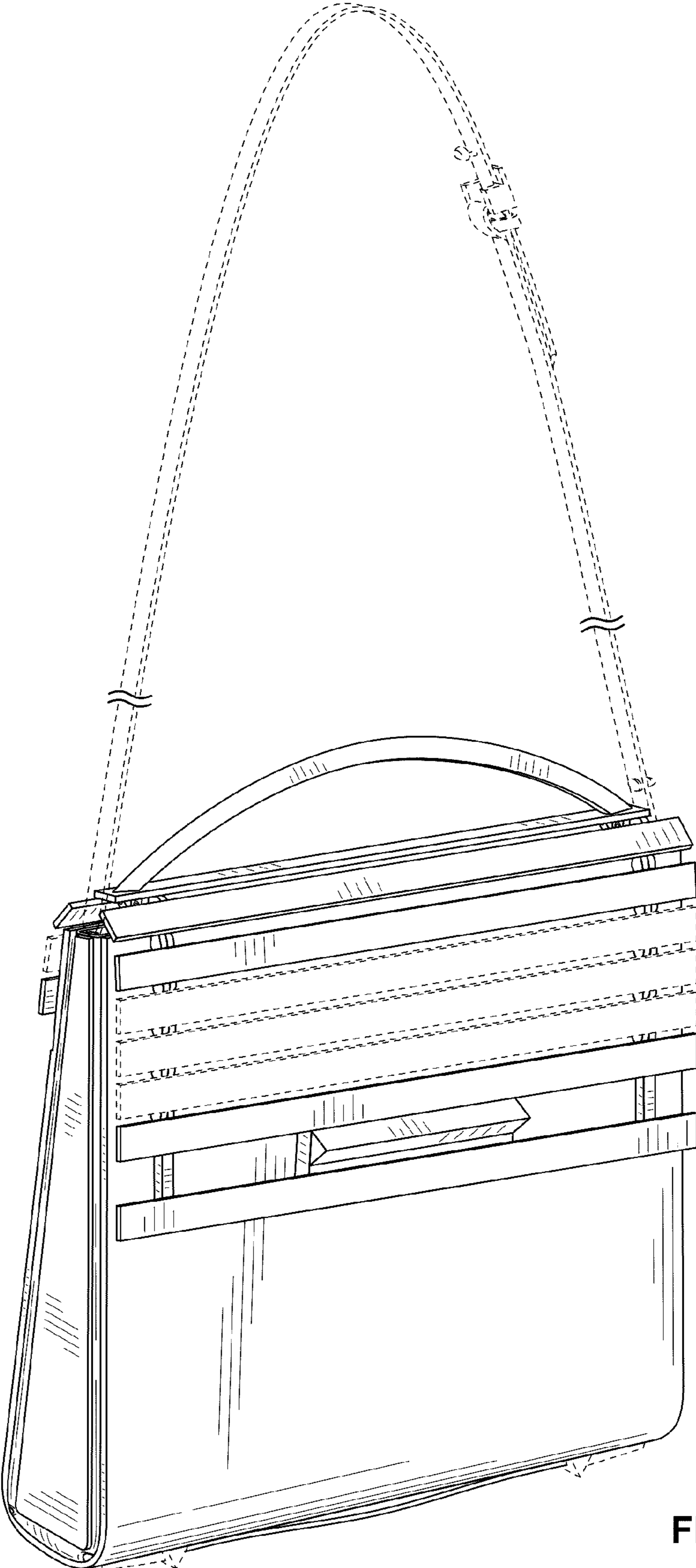


FIG. 1

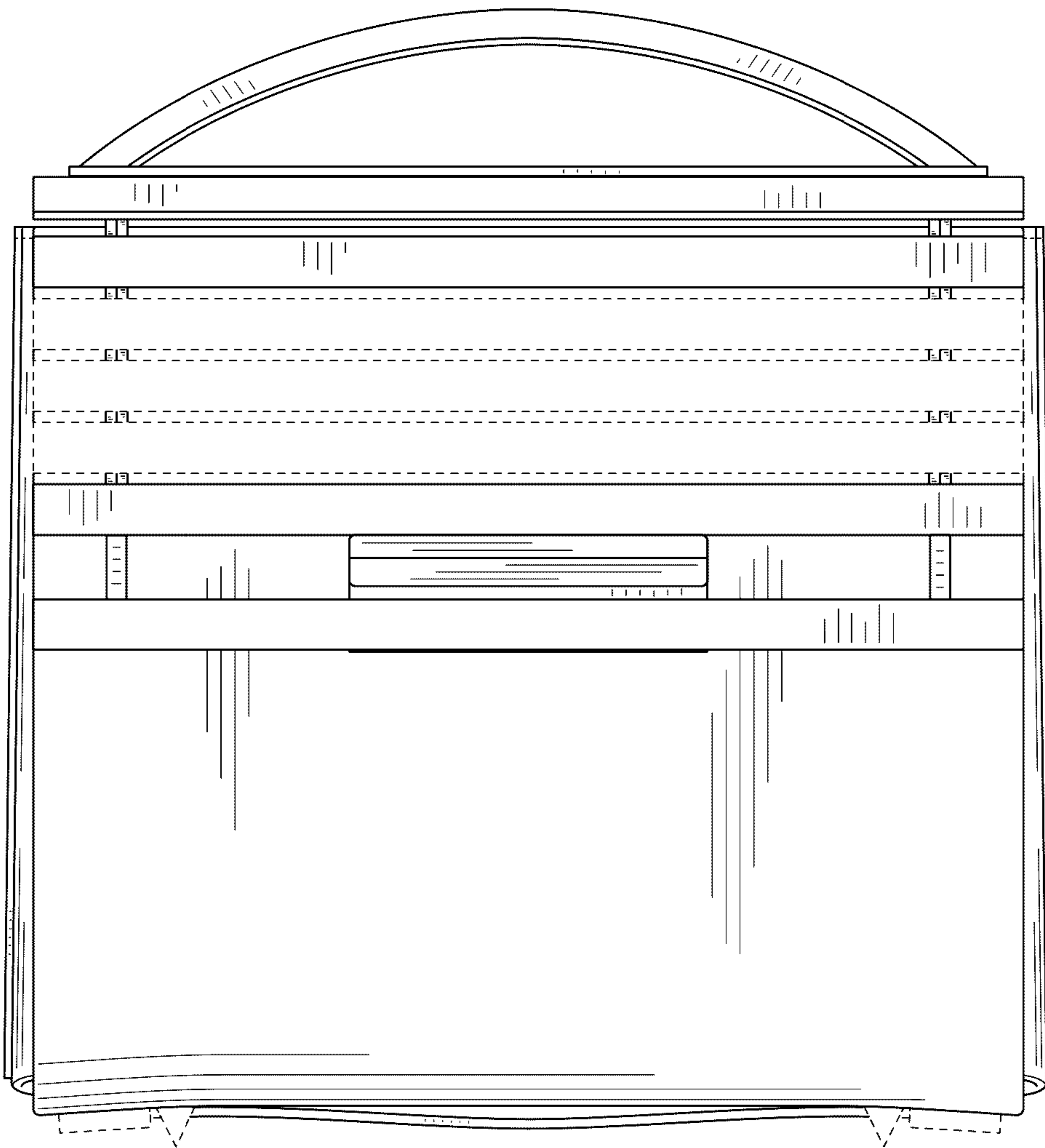


FIG. 2

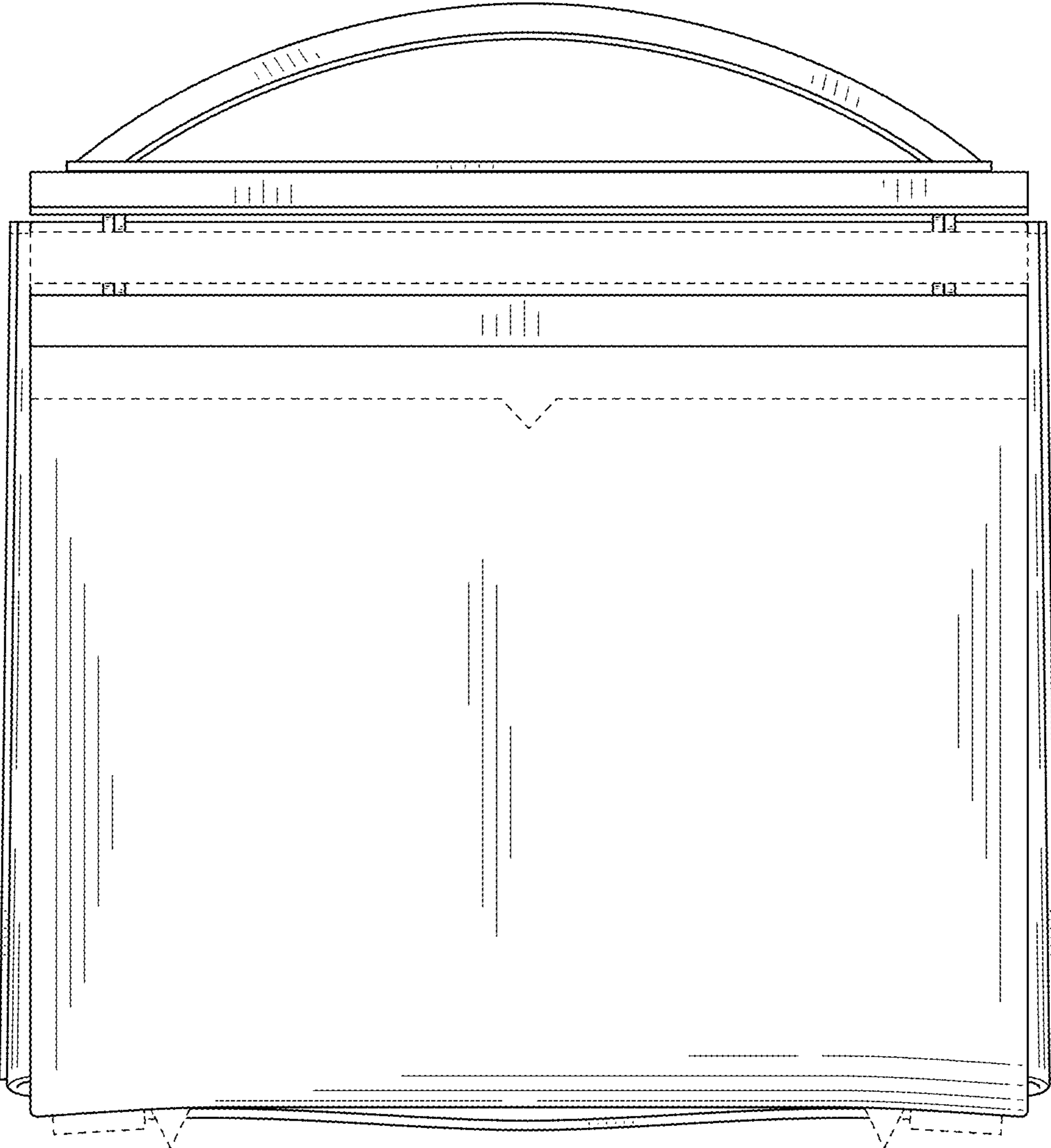


FIG. 3

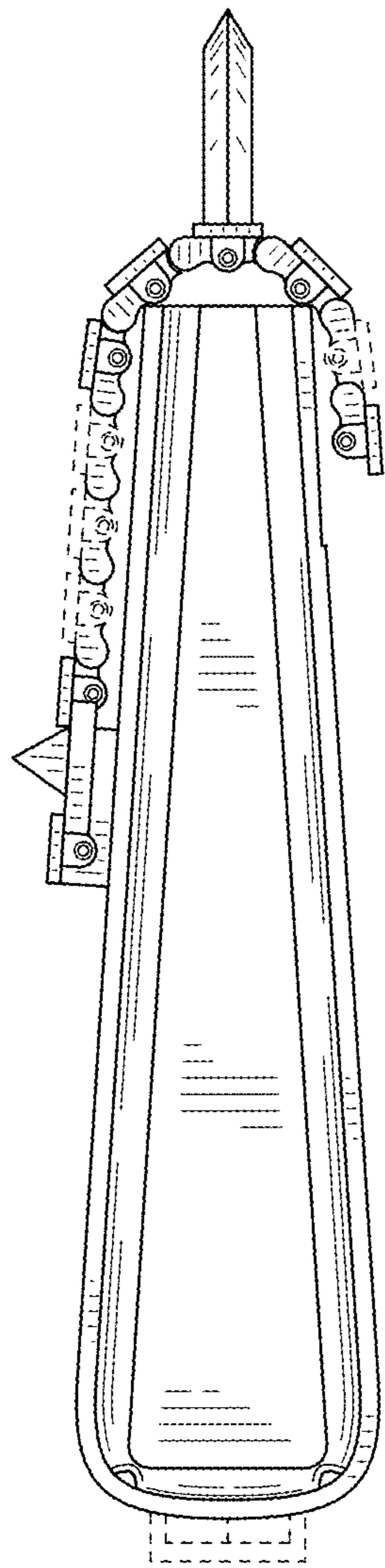


FIG. 4

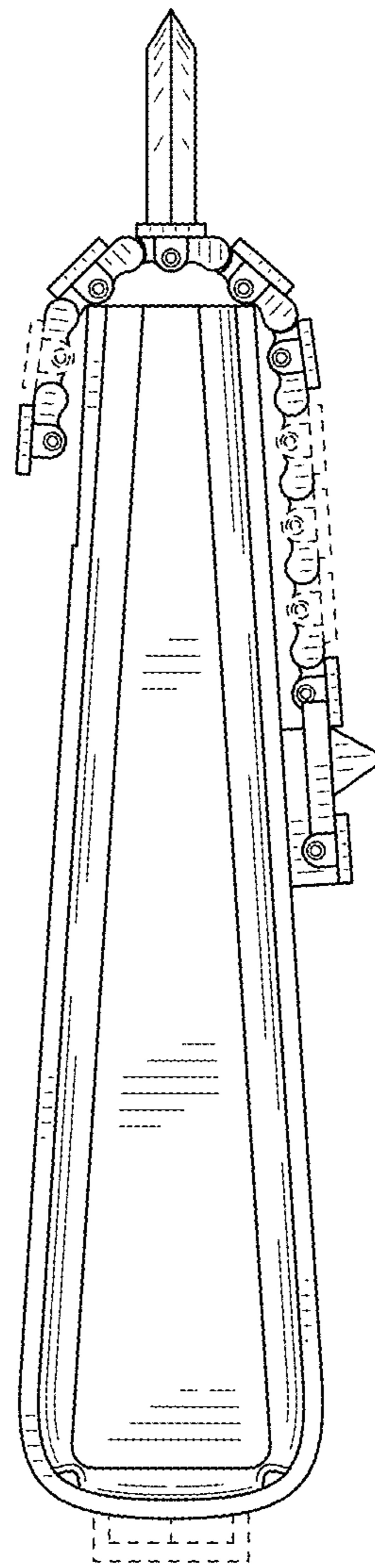


FIG. 5

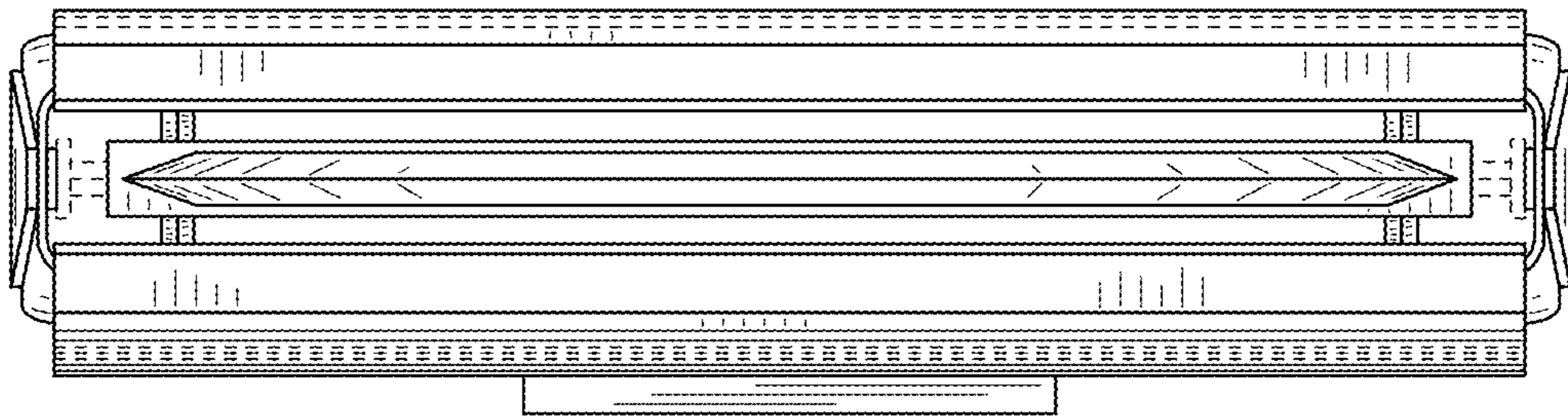


FIG. 6

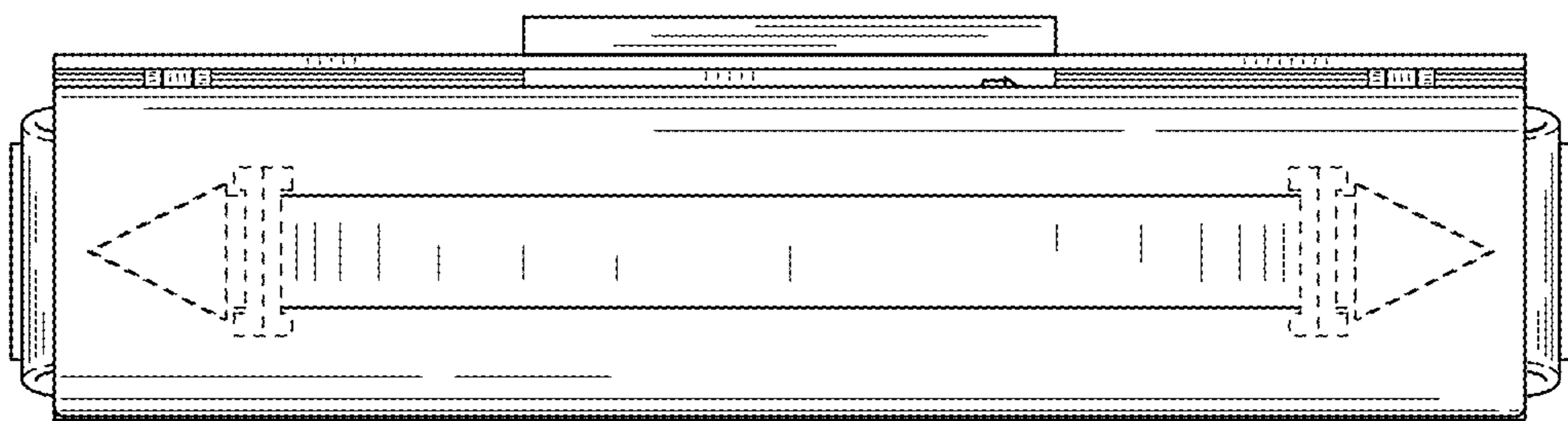


FIG. 7

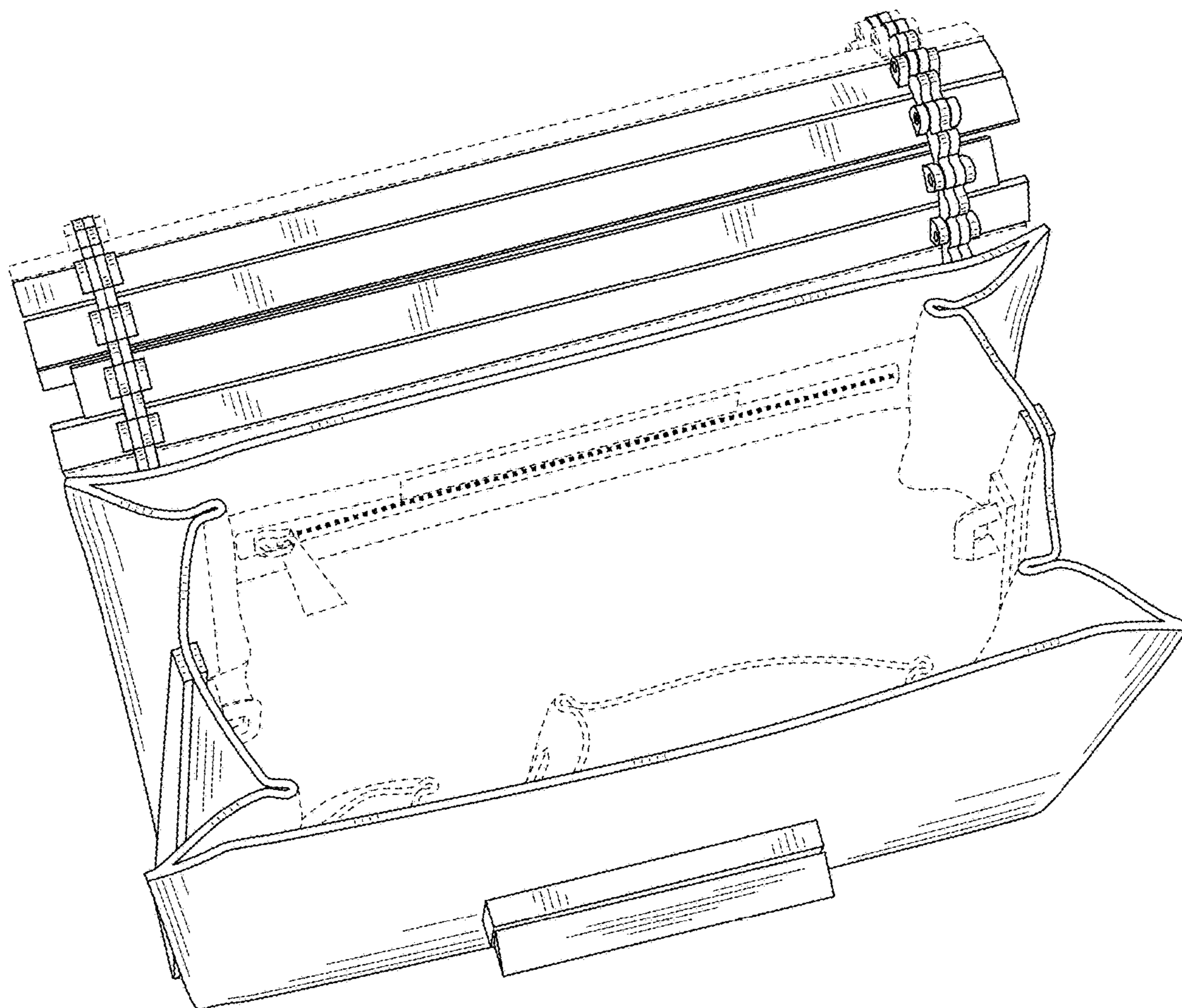


FIG. 8