



US00D773806S

(12) **United States Design Patent**
Laemmlen

(10) **Patent No.:** **US D773,806 S**

(45) **Date of Patent:** **** Dec. 13, 2016**

(54) **WEAPON HOLSTER**

7,314,152 B1 * 1/2008 Garrett F41C 33/0236
224/192

(71) Applicant: **Paul Laemmlen**, Cedar Hills, UT (US)

D603,159 S * 11/2009 Zusman D3/222
D681,943 S * 5/2013 Beard D3/222

(72) Inventor: **Paul Laemmlen**, Cedar Hills, UT (US)

* cited by examiner

(73) Assignee: **StealthGearUSA LLC**, American Fork,
UT (US)

Primary Examiner — Catheri Oliver-Garcia
(74) *Attorney, Agent, or Firm* — The Mueller Law Office,
P.C.

(**) Term: **15 Years**

(57) **CLAIM**

(21) Appl. No.: **29/527,881**

The ornamental design for a weapon holster, as shown and described.

(22) Filed: **May 22, 2015**

DESCRIPTION

(51) **LOC (10) Cl.** **03-01**

(52) **U.S. Cl.**
USPC **D3/222**

(58) **Field of Classification Search**
USPC D3/222–223; 224/191–193, 197–198,
224/238, 240, 243, 911–912, 914, 901.4,
224/673
CPC A45F 5/021; F41C 33/0236
See application file for complete search history.

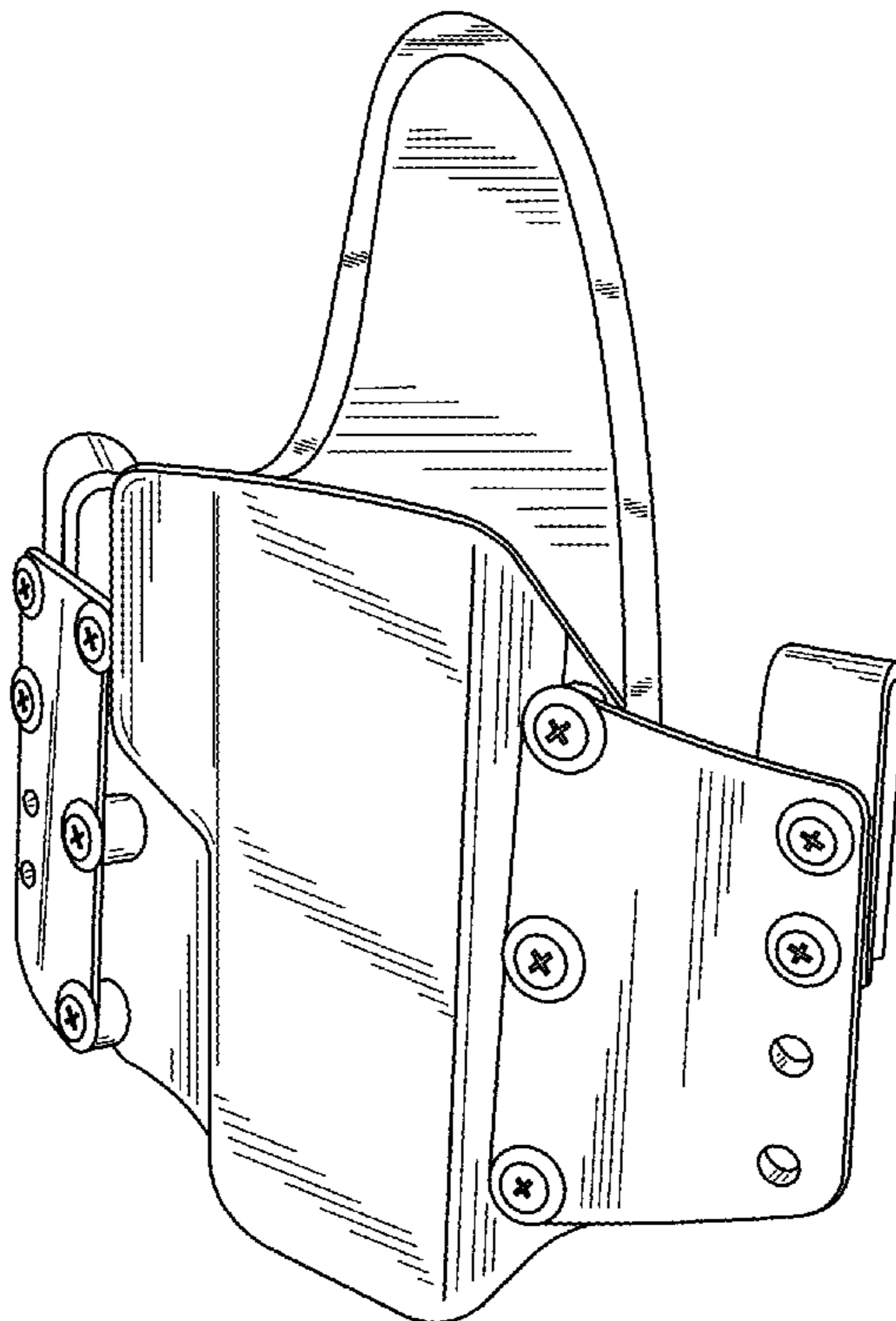
FIG. 1 is a perspective view of a design for a weapon holster;
FIG. 2 is a front view of the weapon holster of FIG. 1;
FIG. 3 is a rear view of the weapon holster of FIG. 1;
FIG. 4 is a top view the weapon holster of FIG. 1;
FIG. 5 is a bottom view the weapon holster of FIG. 1;
FIG. 6 is a right side view of the weapon holster of FIG. 1;
FIG. 7 is a left side view the weapon holster of FIG. 1;
FIG. 8 is a perspective view of a second embodiment for the
weapon holster;
FIG. 9 is a front view of the weapon holster of FIG. 8;
FIG. 10 is a rear view of the weapon holster of FIG. 8;
FIG. 11 is a top view the weapon holster of FIG. 8;
FIG. 12 is a bottom view the weapon holster of FIG. 8;
FIG. 13 is a right side view of the weapon holster of FIG. 8;
and,
FIG. 14 is a left side view the weapon holster of FIG. 8.

(56) **References Cited**

U.S. PATENT DOCUMENTS

D335,221 S * 5/1993 Nichols D3/222
D392,458 S * 3/1998 Batts D3/222
D543,353 S * 5/2007 Carver D3/222
D543,354 S * 5/2007 Carver D3/222

1 Claim, 10 Drawing Sheets



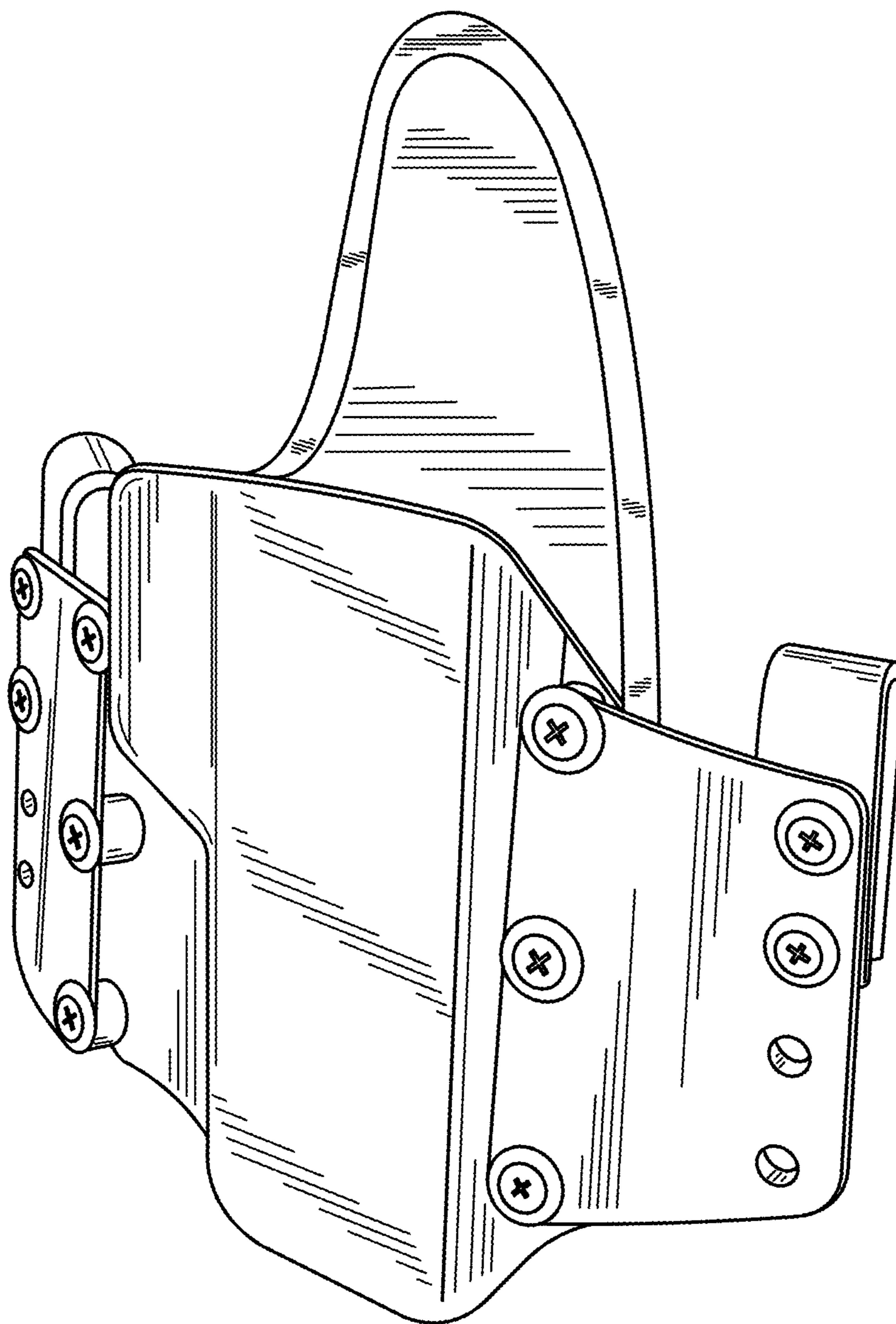


FIG. 1

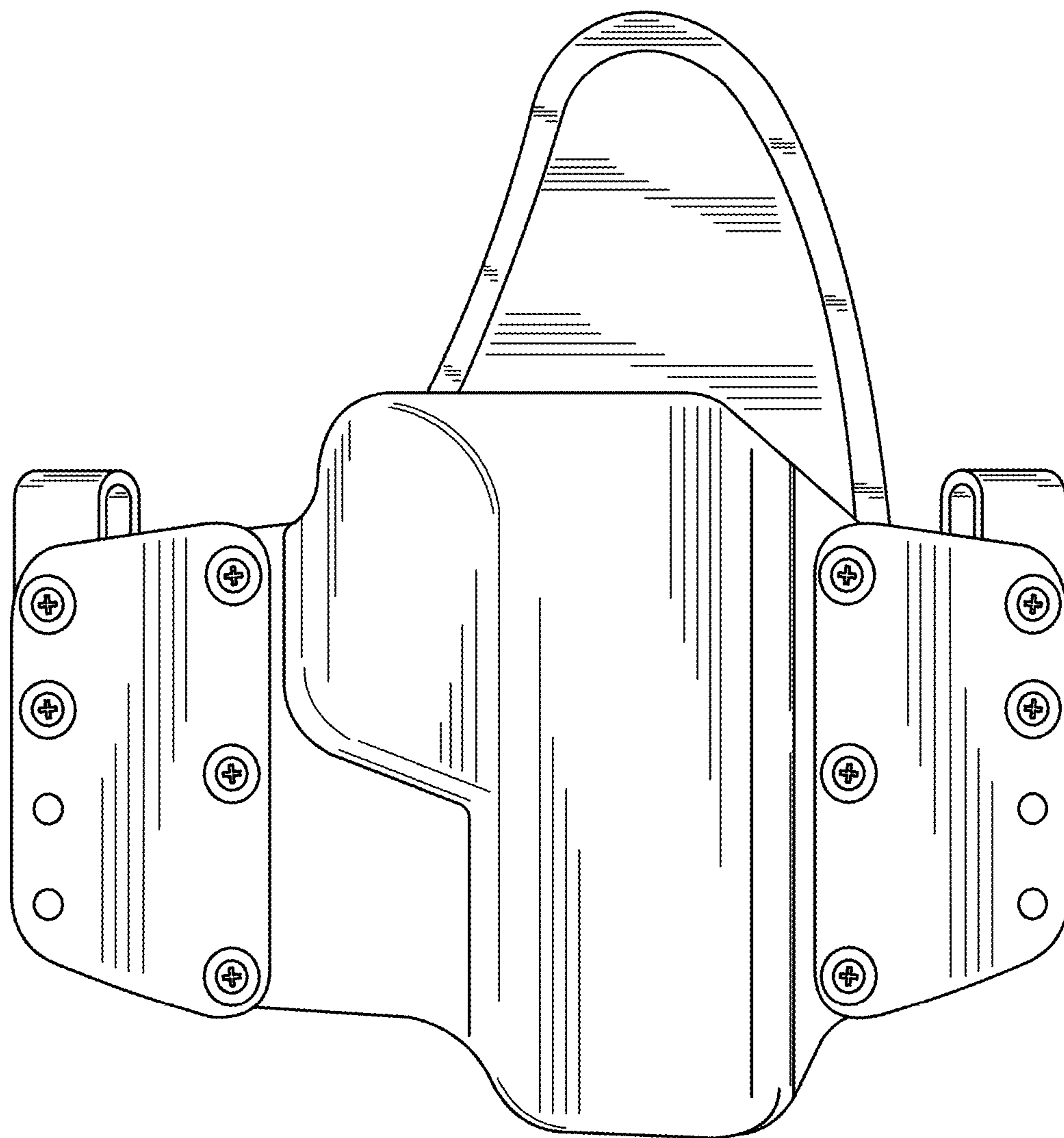


FIG. 2

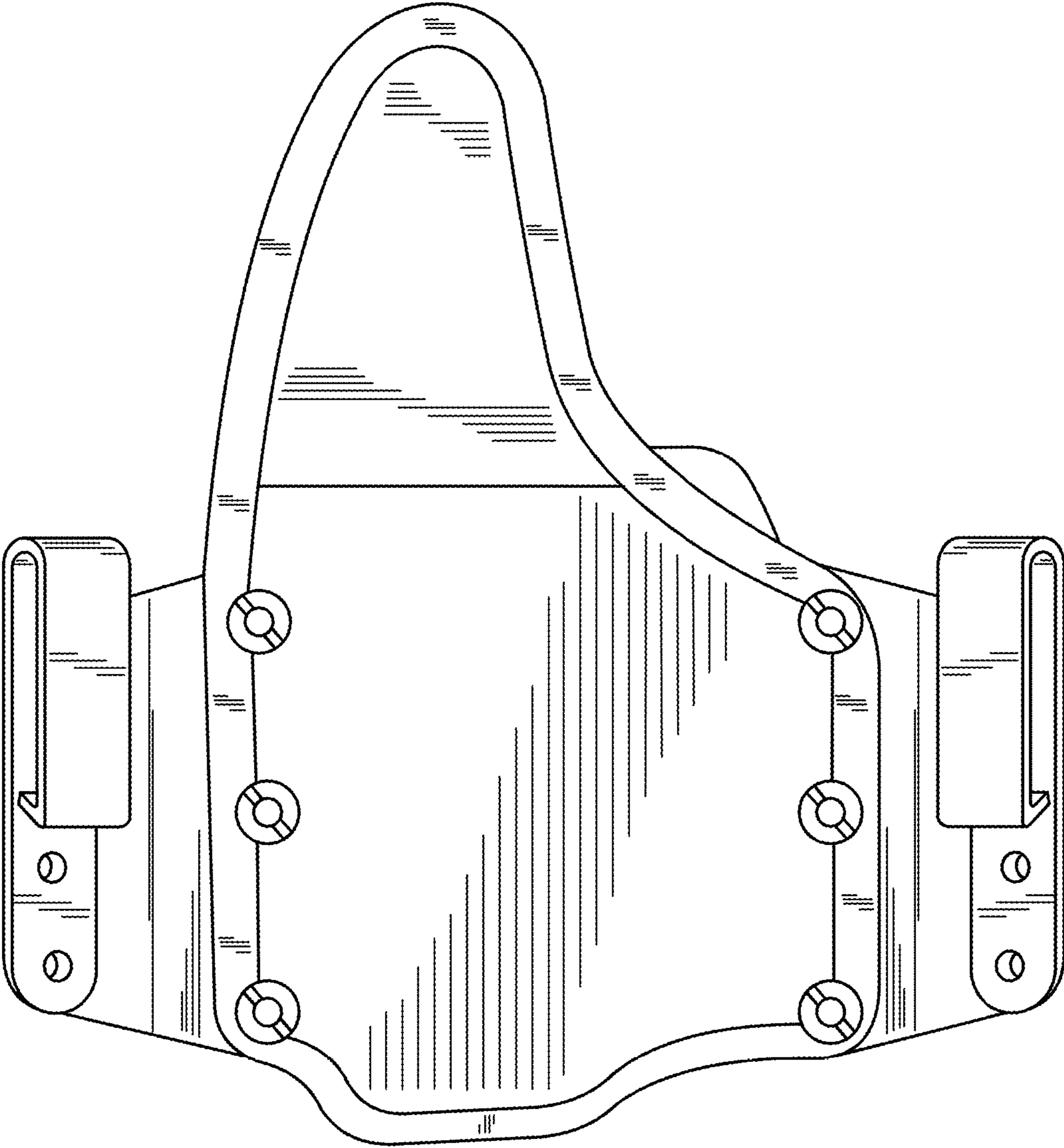


FIG. 3

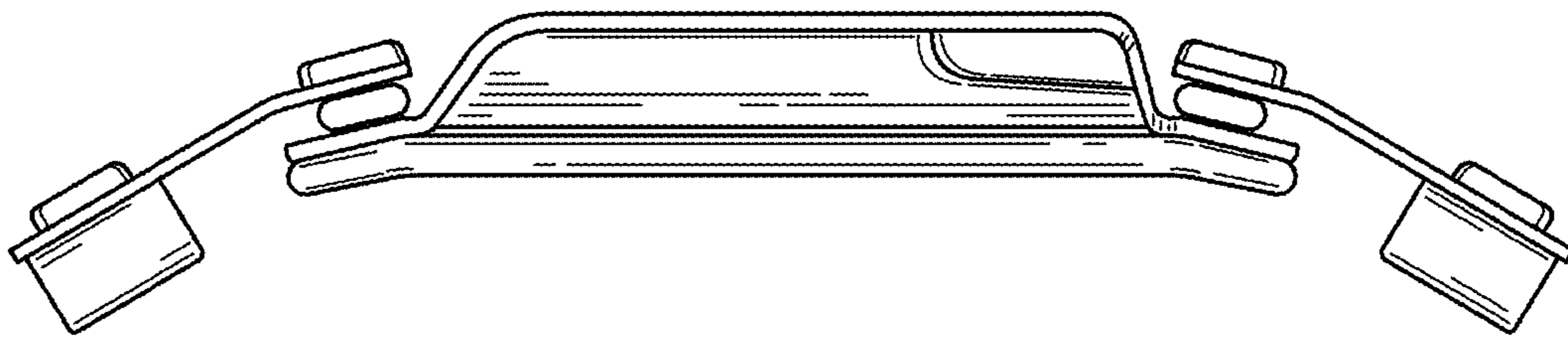


FIG. 4

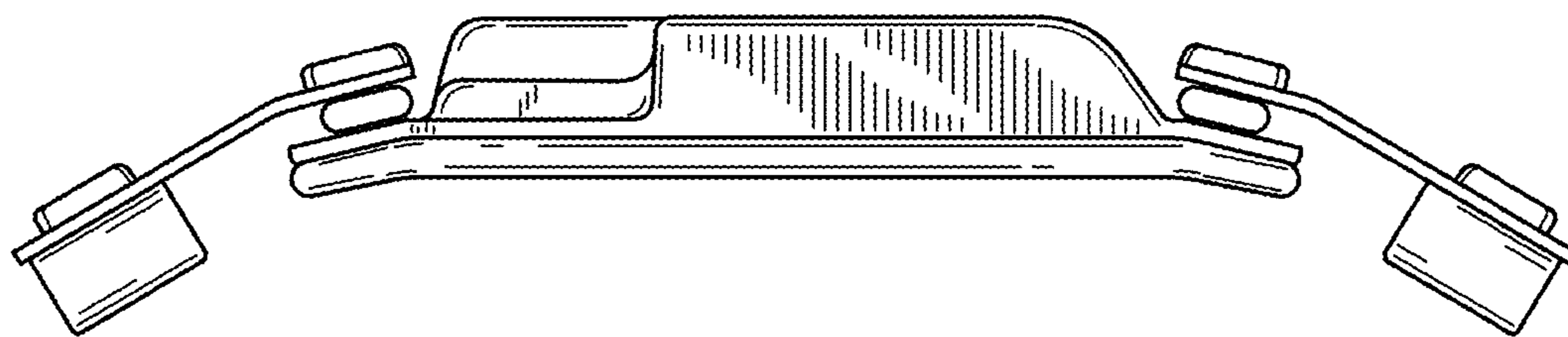


FIG. 5

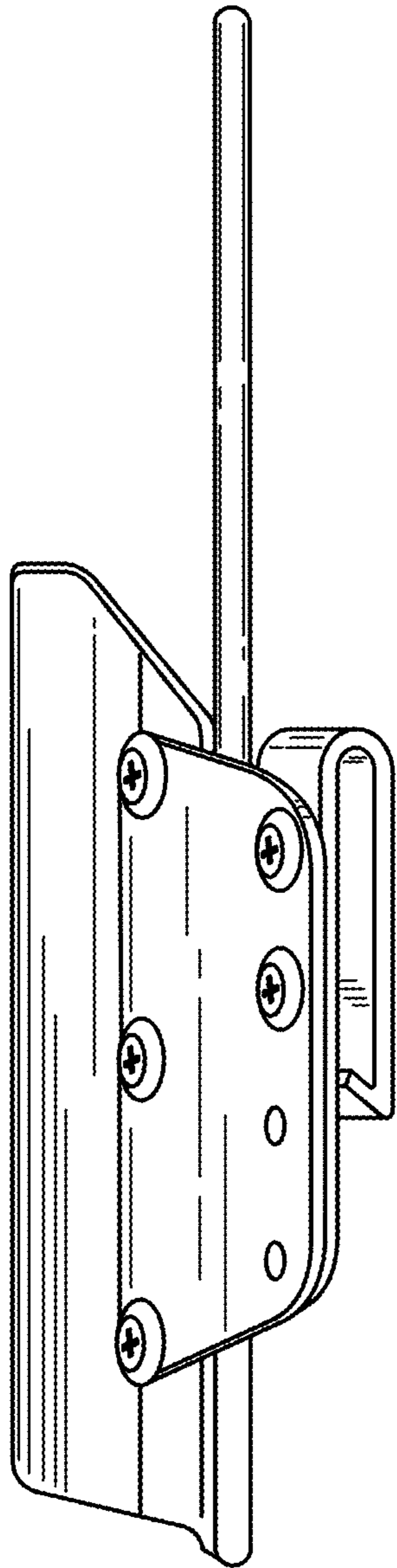


FIG. 6

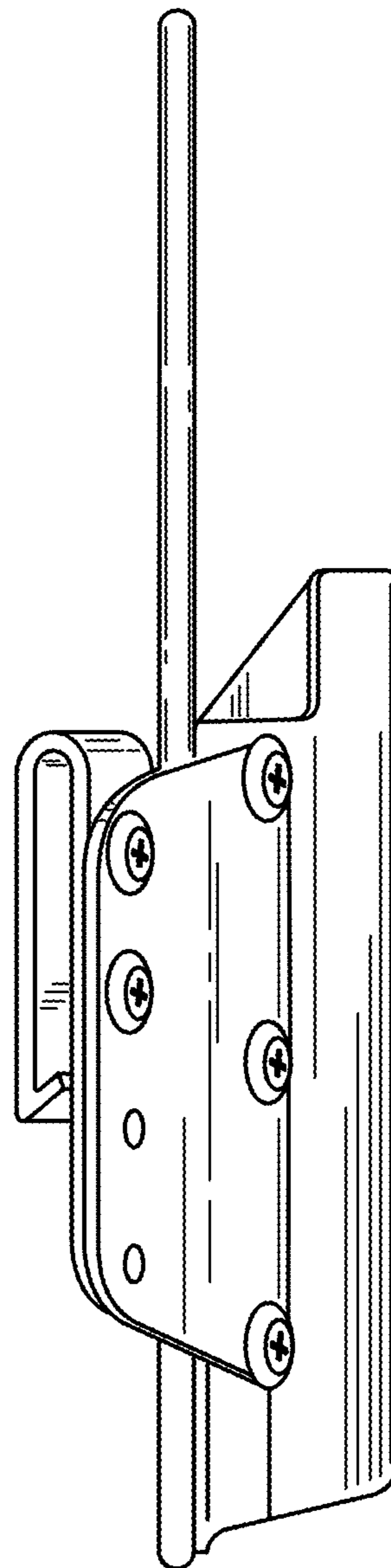


FIG. 7

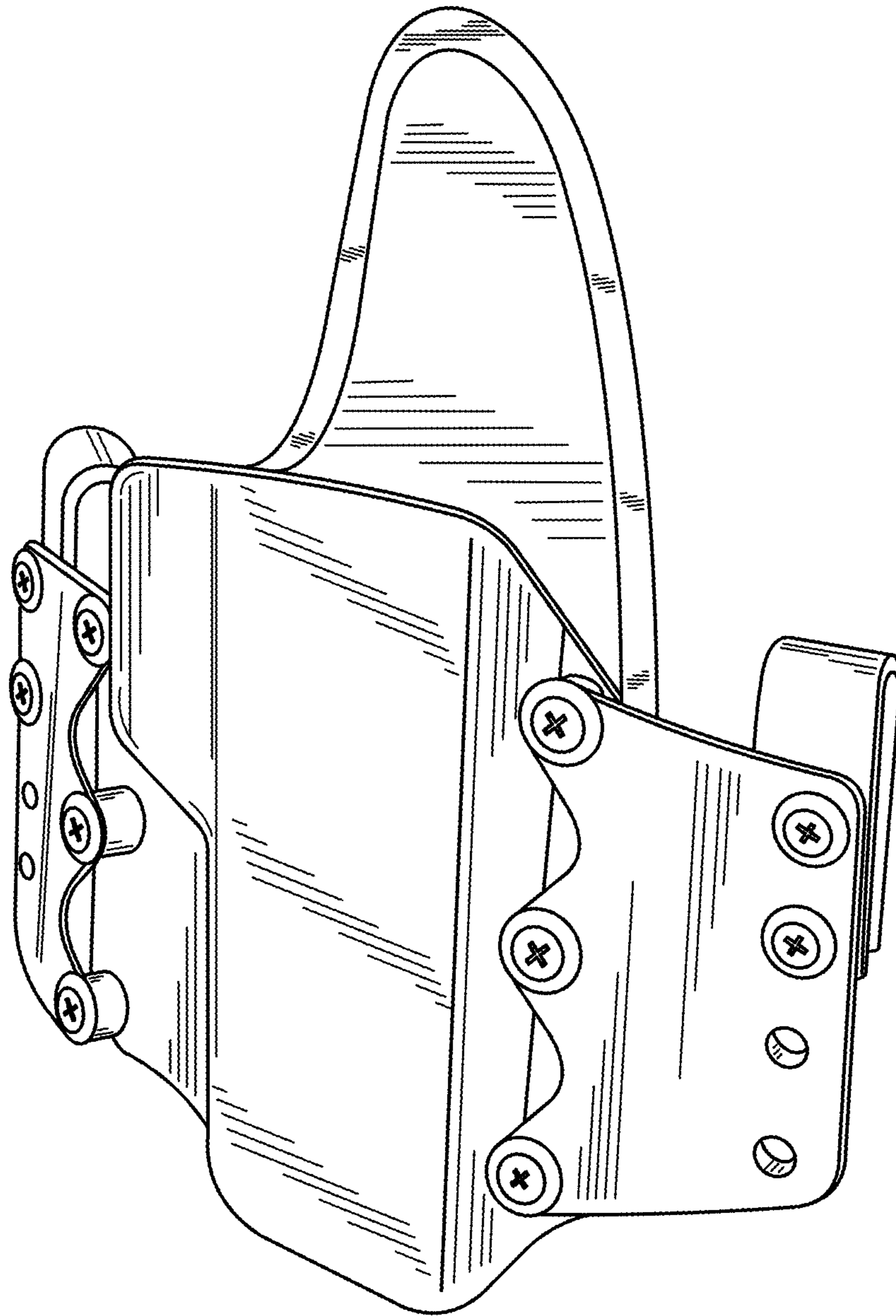


FIG. 8

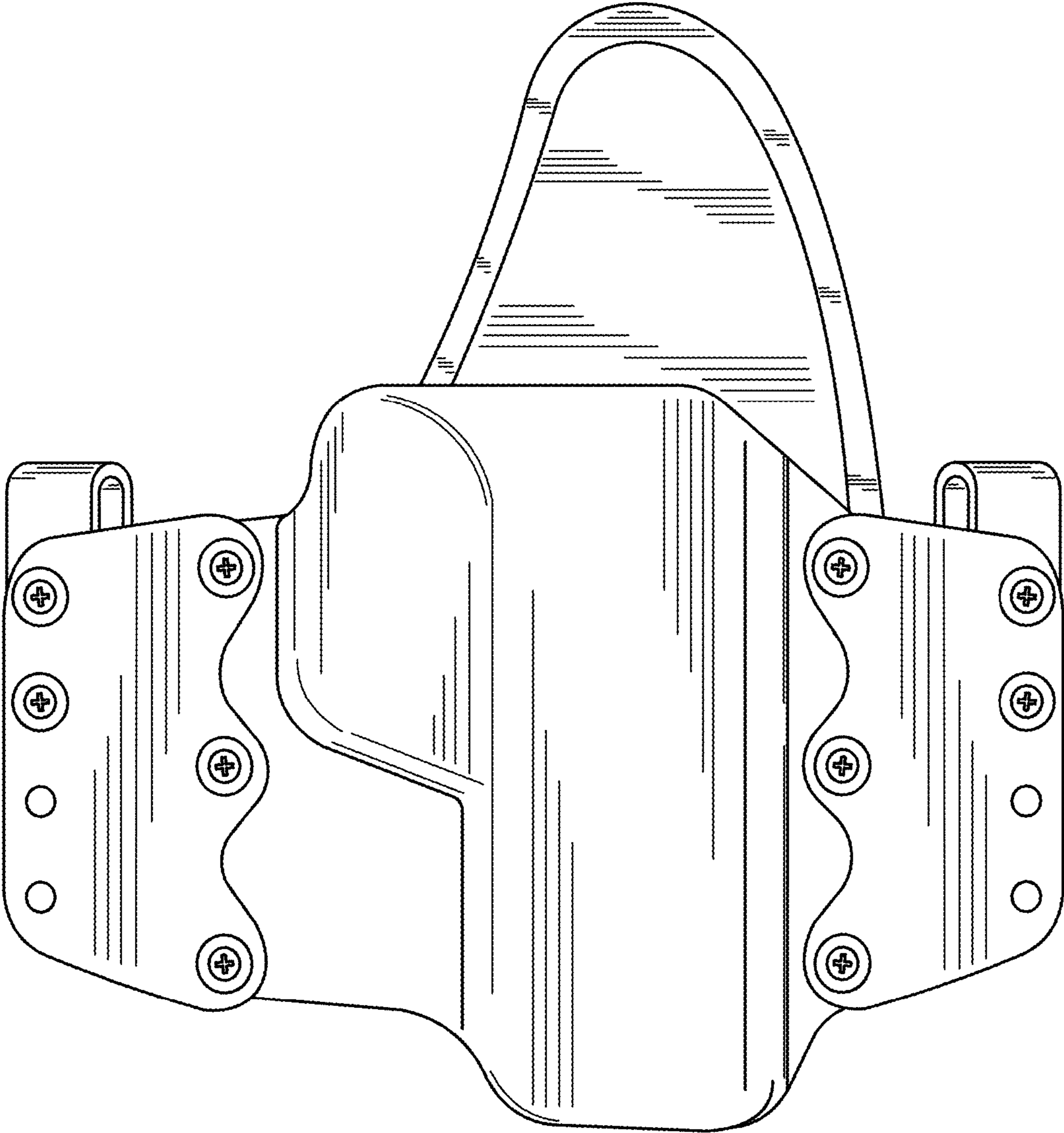


FIG. 9

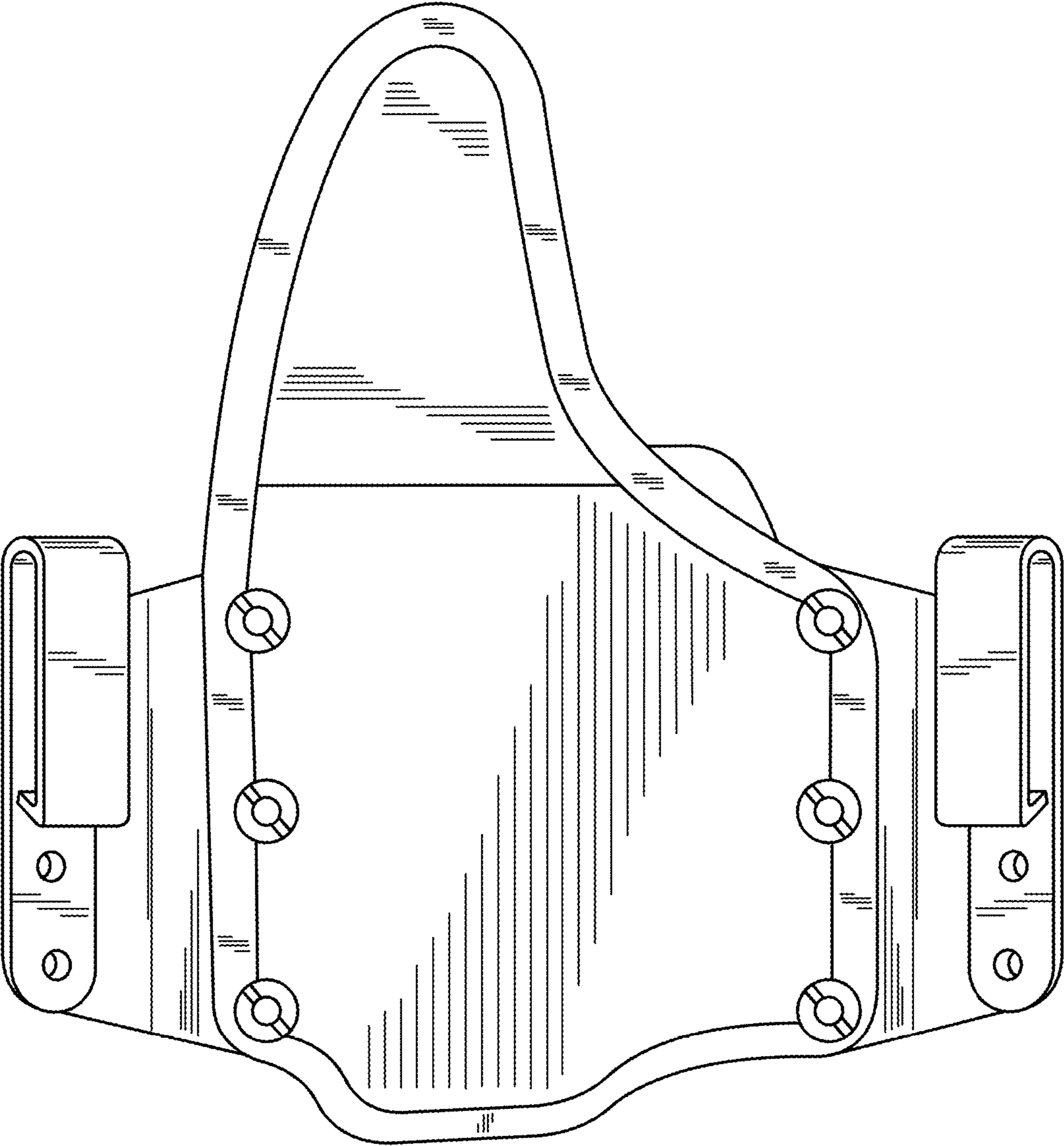


FIG. 10

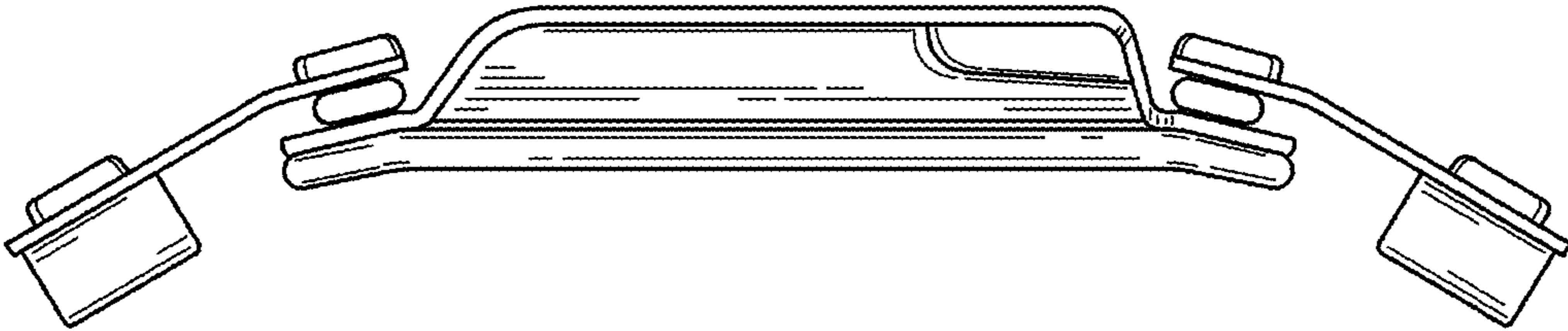


FIG. 11

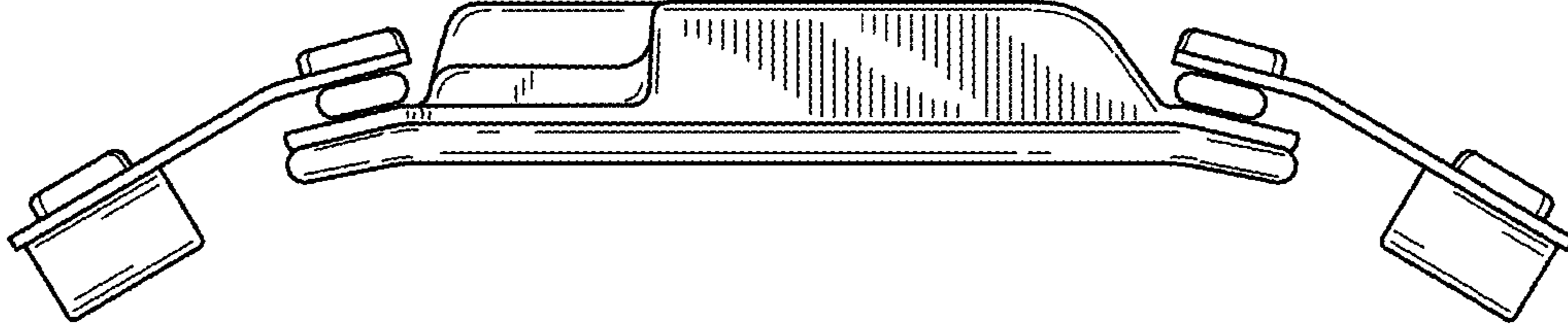


FIG. 12

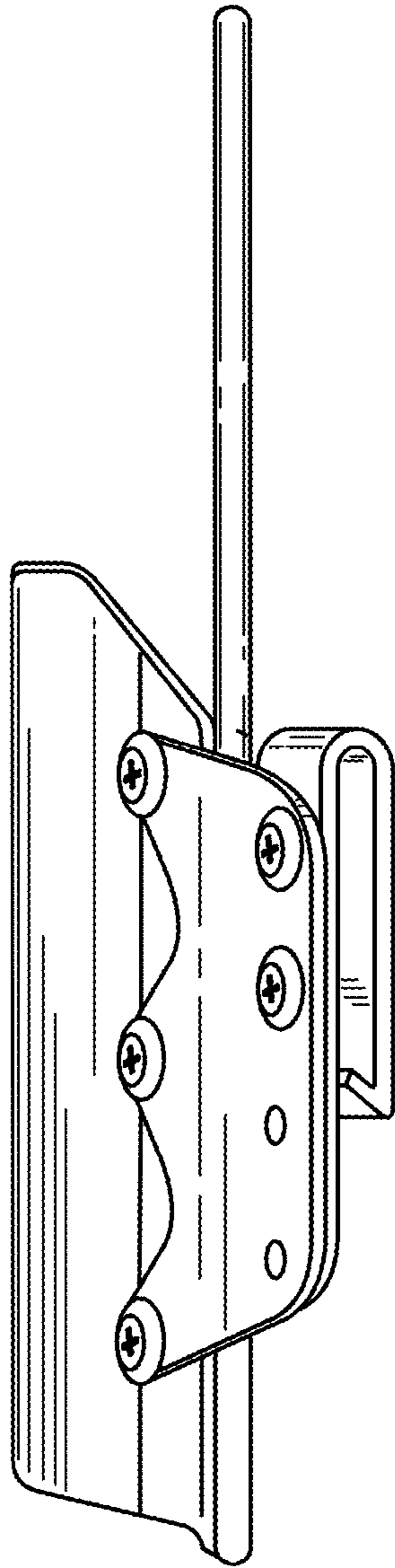


FIG. 13

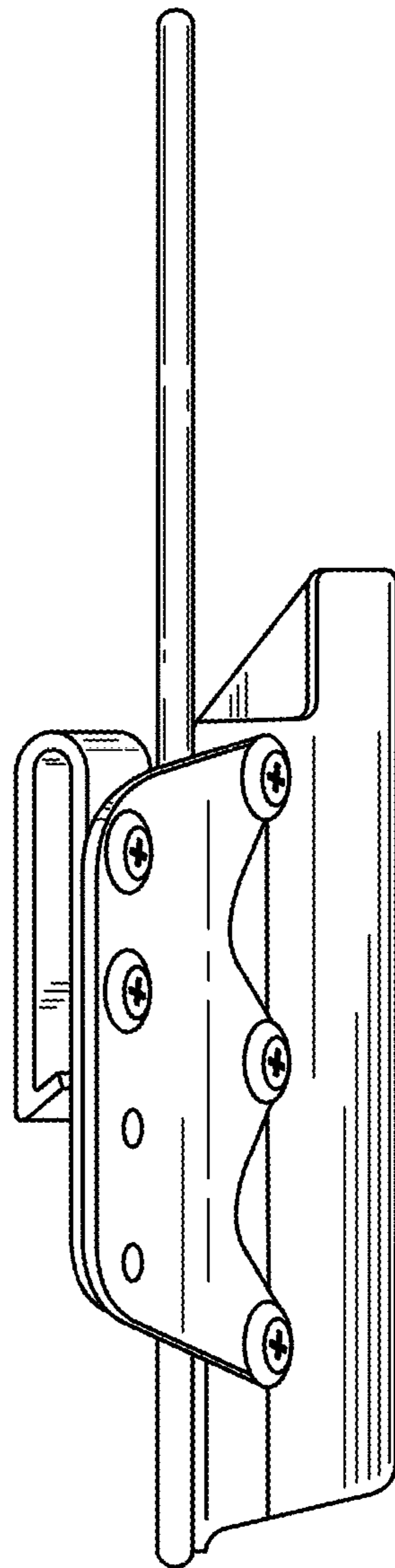


FIG. 14