



US00D773805S

(12) **United States Design Patent**
Paniwozik

(10) **Patent No.:** **US D773,805 S**

(45) **Date of Patent:** **** Dec. 13, 2016**

(54) **OPEN GRIP CHEST HOLSTER WITH
MAGAZINE POUCH**

(71) Applicant: **Man Gear Alaska, LLC**, Wasilla, AK
(US)

(72) Inventor: **Rebecka Paniwozik**, Wasilla, AK (US)

(73) Assignee: **MAN GEAR ALASKA, LLC**, Wasilla,
AK (US)

(**) Term: **14 Years**

(21) Appl. No.: **29/525,497**

(22) Filed: **Apr. 30, 2015**

(51) **LOC (10) Cl.** **03-01**

(52) **U.S. Cl.**
USPC **D3/222**

(58) **Field of Classification Search**

USPC D3/222–223, 224, 226; 224/192–193,
224/198, 238, 243, 587, 623, 911, 233

CPC A45F 5/02; A45F 3/14; F41C 33/02;
F41C 33/002; F41C 33/0209; F41C
33/0227; F41C 33/046

See application file for complete search history.

(56) **References Cited**

U.S. PATENT DOCUMENTS

2,443,397 A * 6/1948 Myres A45F 3/14
224/193
D185,583 S * 6/1959 Stella 224/911
3,797,715 A * 3/1974 Scialdone A45F 3/14
224/587
D292,648 S * 11/1987 Remington D3/222

(Continued)

Primary Examiner — Catheri Oliver-Garcia

(74) *Attorney, Agent, or Firm* — Pearne & Gordon LLP

(57) **CLAIM**

The ornamental design for an open grip chest holster with magazine pouch, as shown and described.

DESCRIPTION

FIG. 1 is a front perspective view of the first embodiment of my new open grip chest holster with magazine pouch shown in use;

FIG. 2 is a front-side view of my new open grip chest holster with magazine pouch;

FIG. 3 is a top view of my new open grip chest holster with magazine pouch;

FIG. 4 is a bottom view of my new open grip chest holster with magazine pouch;

FIG. 5 is a rear view of my new open grip chest holster with magazine pouch;

FIG. 6 is a front view of my new open grip chest holster with magazine pouch;

FIG. 7 is a right-side view of my new open grip chest holster with magazine pouch;

FIG. 8 is a left-side view of my new open grip chest holster with magazine pouch;

FIG. 9 is a front-side view of a second embodiment of my new open grip chest holster with magazine pouch;

FIG. 10 is a top view of my new open grip chest holster with magazine pouch; and

FIG. 11 is a bottom view of my new open grip chest holster with magazine pouch.

FIG. 12 is a rear view of my new open grip chest holster with magazine pouch;

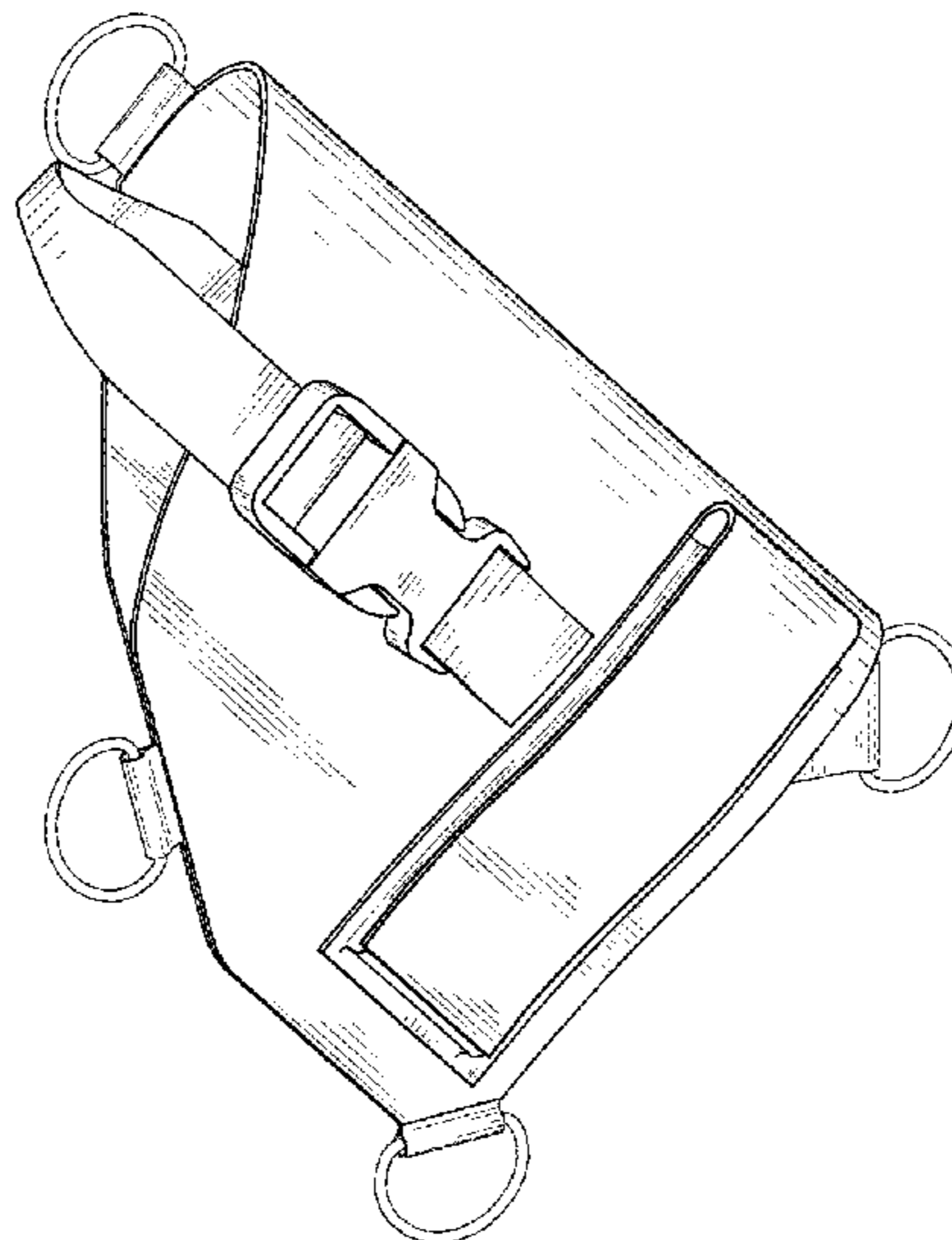
FIG. 13 is a front view of my new open grip chest holster with magazine pouch;

FIG. 14 is a right-side view of my new open grip chest holster with magazine pouch; and,

FIG. 15 is a left-side view of my new open grip chest holster with magazine pouch.

The broken line image of a person and strap in FIG. 1 depict environment and are for illustrative purposes only and form no part of the claimed design.

1 Claim, 7 Drawing Sheets



(56)

References Cited

U.S. PATENT DOCUMENTS

D292,751	S	*	11/1987	Remington	D3/222
D313,699	S	*	1/1991	Remington	D3/222
5,400,935	A	*	3/1995	Farmer	F41C 33/046
						224/198
D600,009	S	*	9/2009	Doty	D3/222
D657,951	S	*	4/2012	Davis	D3/222
D658,364	S	*	5/2012	Davis	D3/222
D728,924	S	*	5/2015	Salisbury, III	D3/222

* cited by examiner

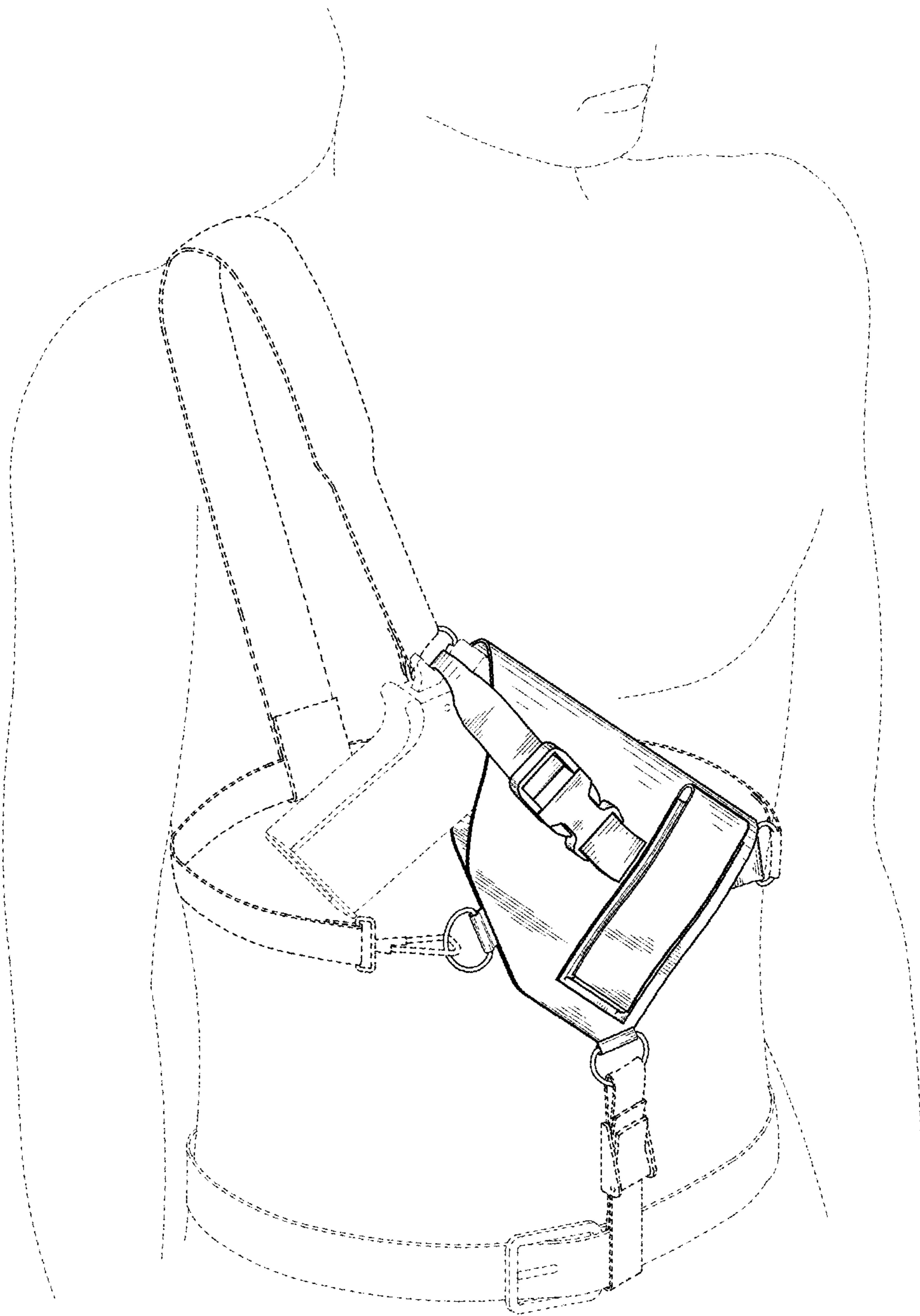


Fig. 1

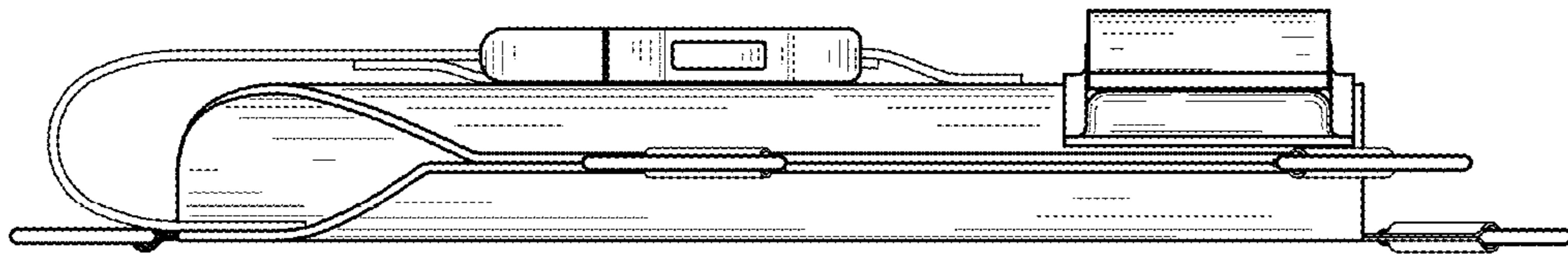


Fig. 4

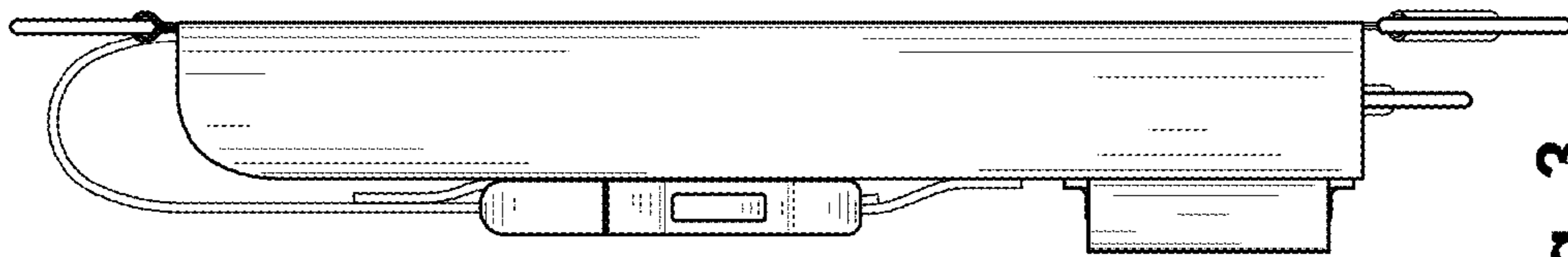


Fig. 3

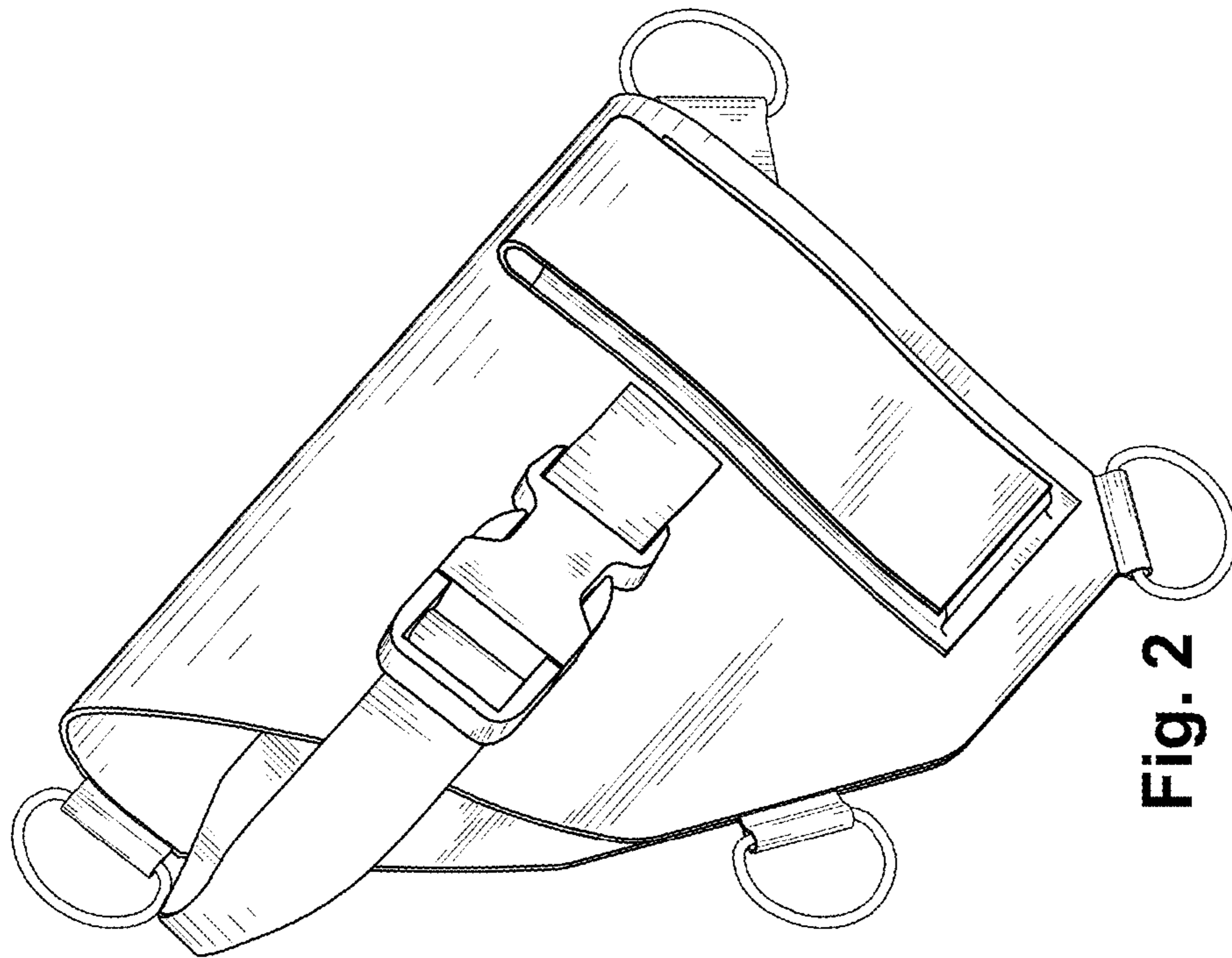


Fig. 2

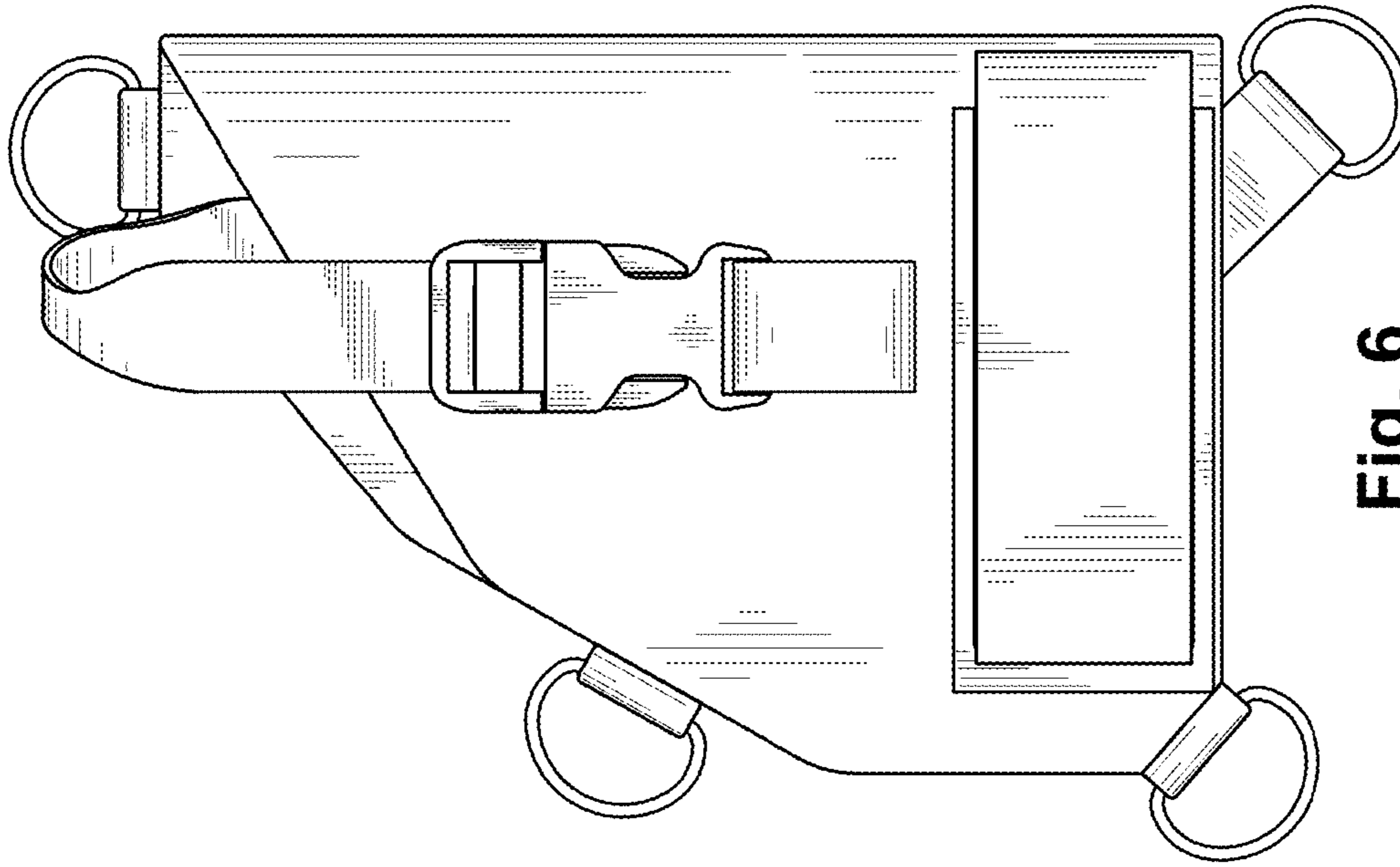


Fig. 6

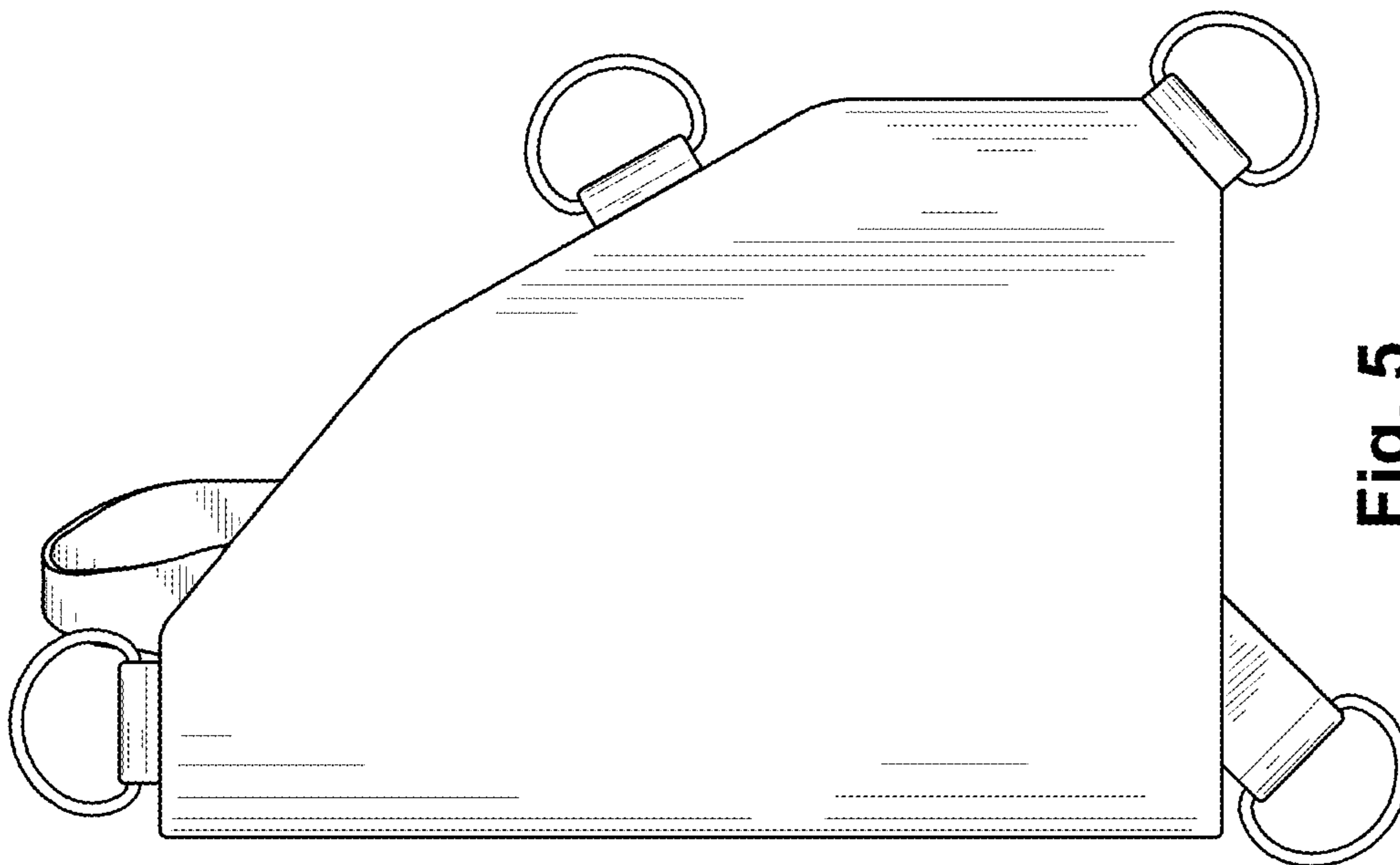


Fig. 5

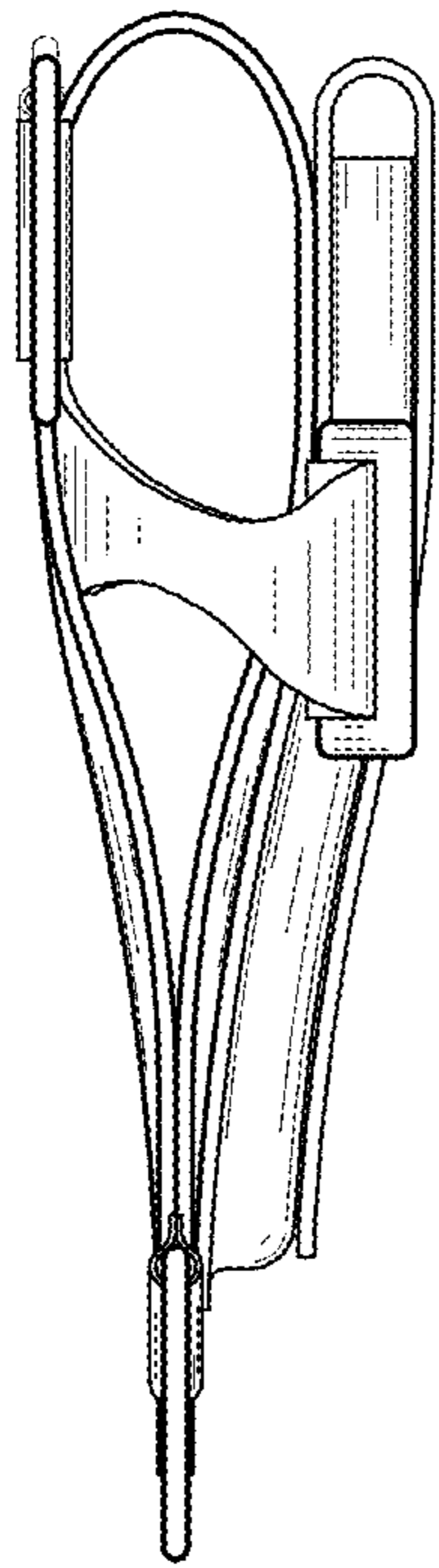


Fig. 7

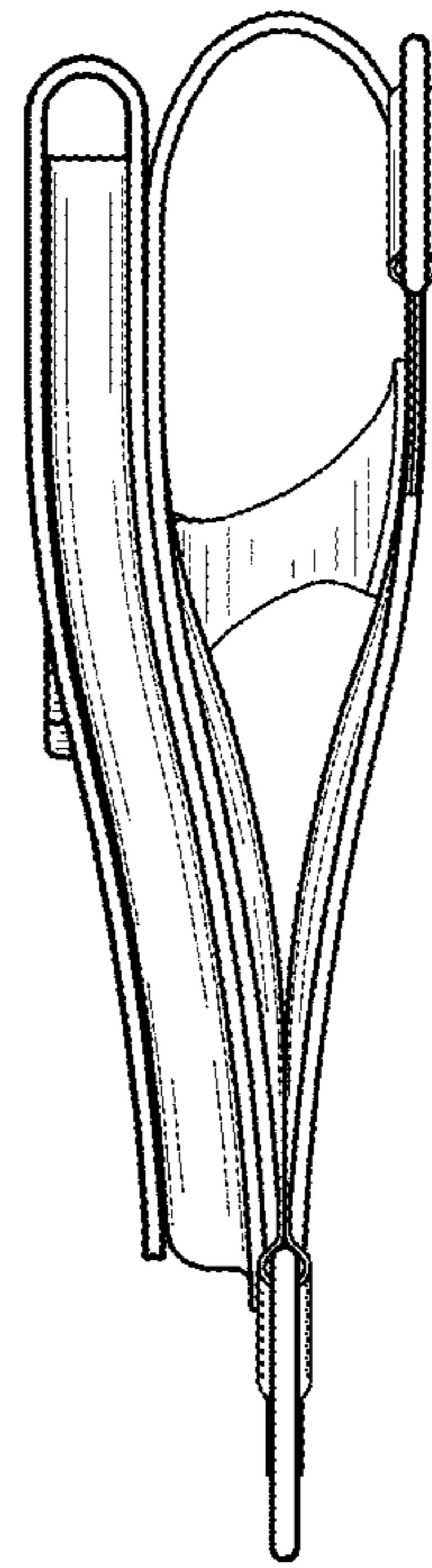


Fig. 8

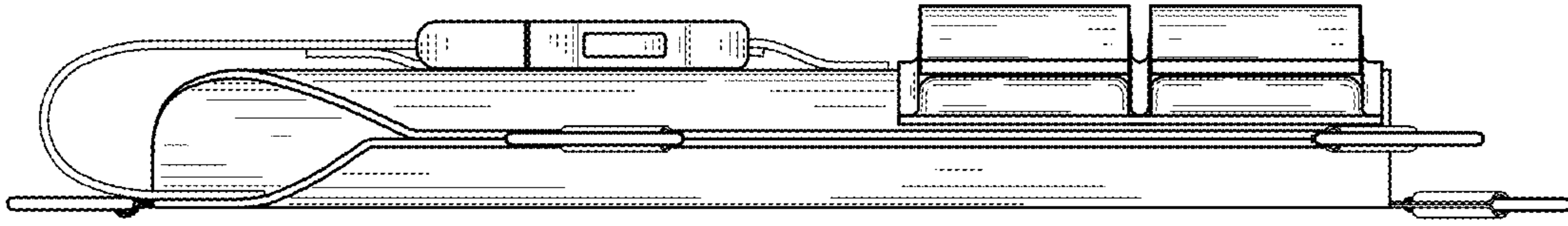


Fig. 11

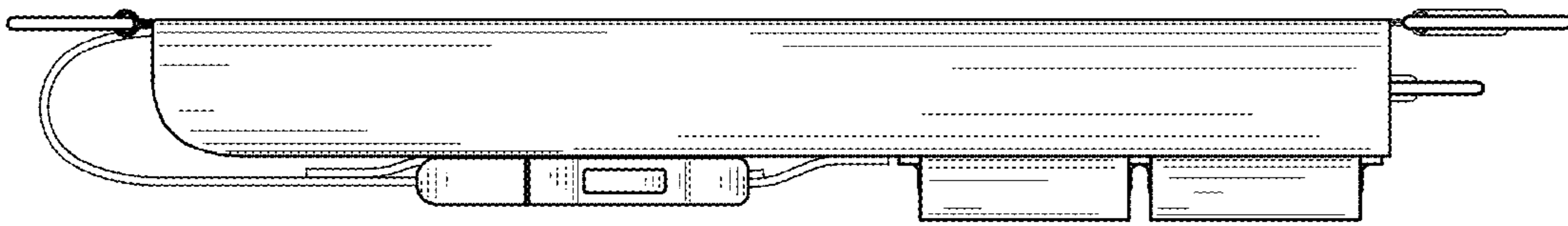


Fig. 10

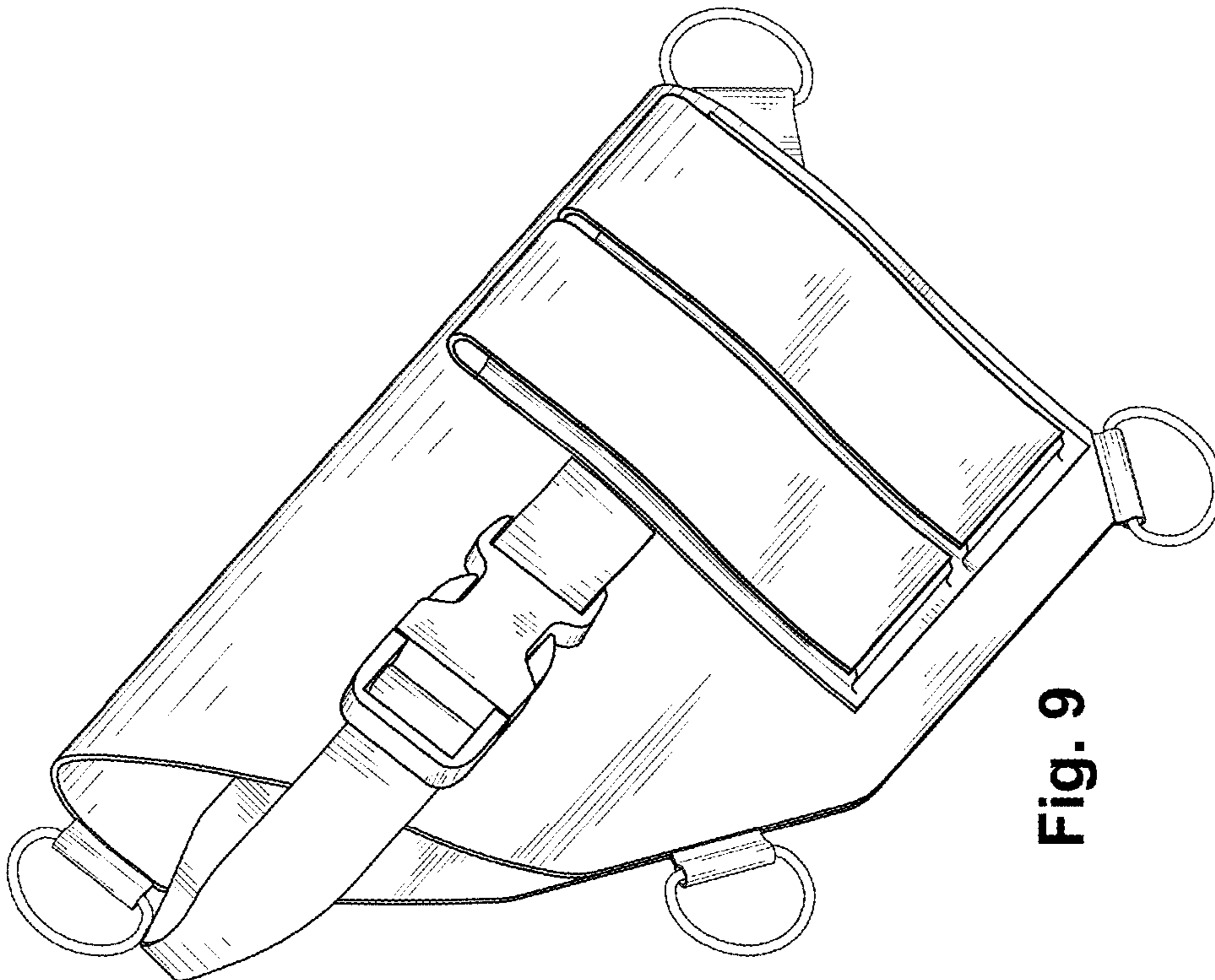


Fig. 9

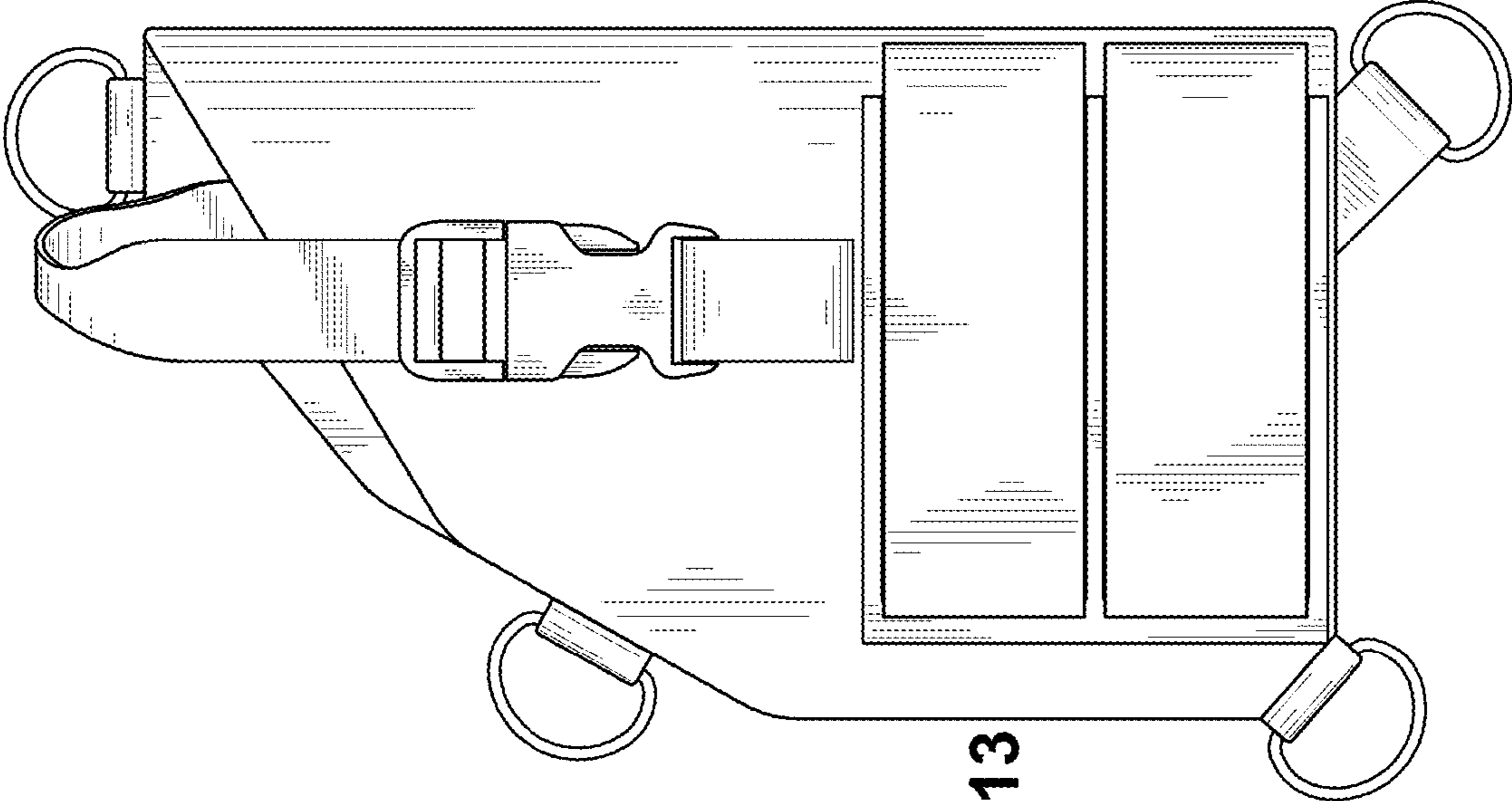


Fig. 13

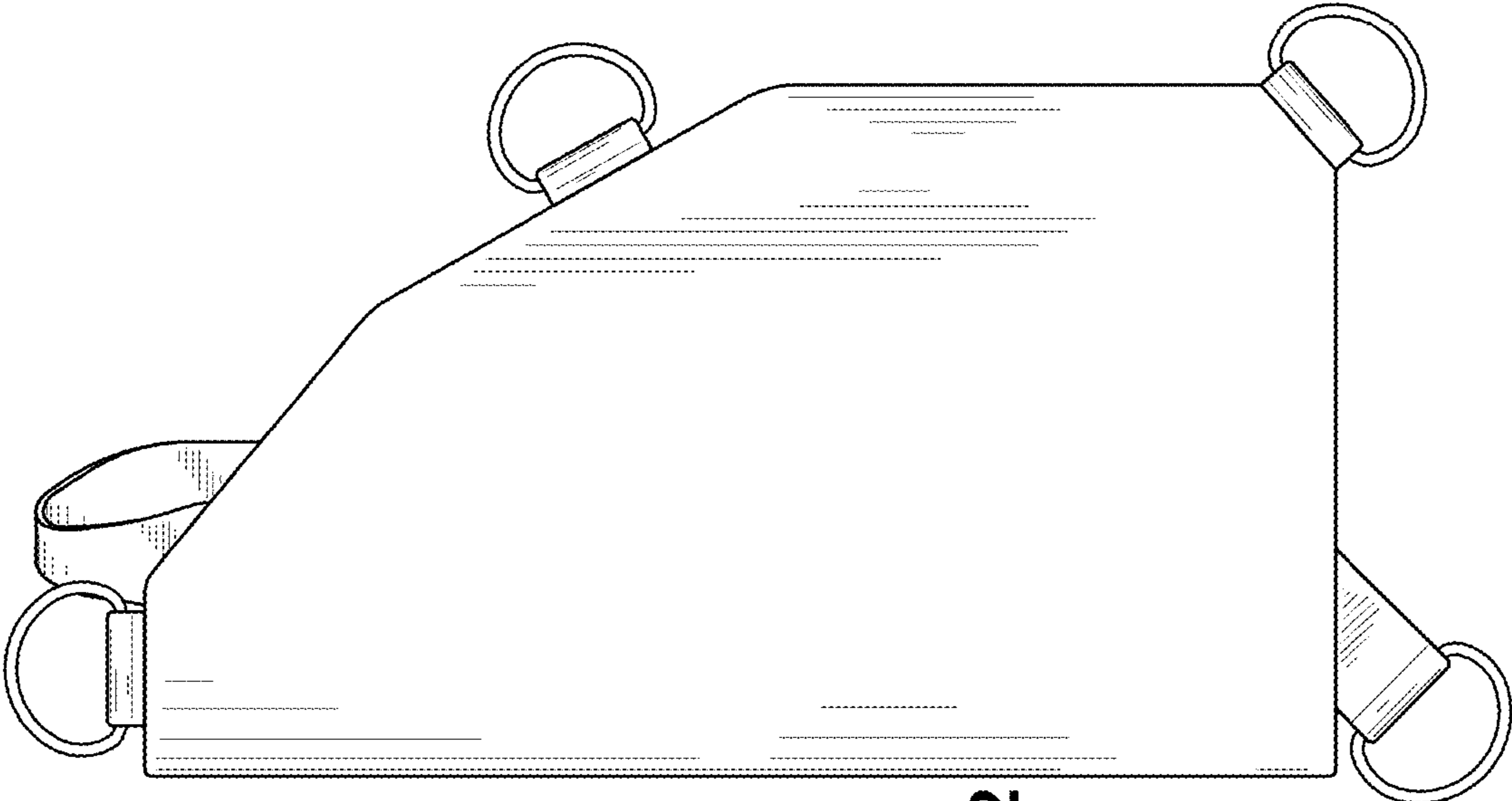


Fig. 12

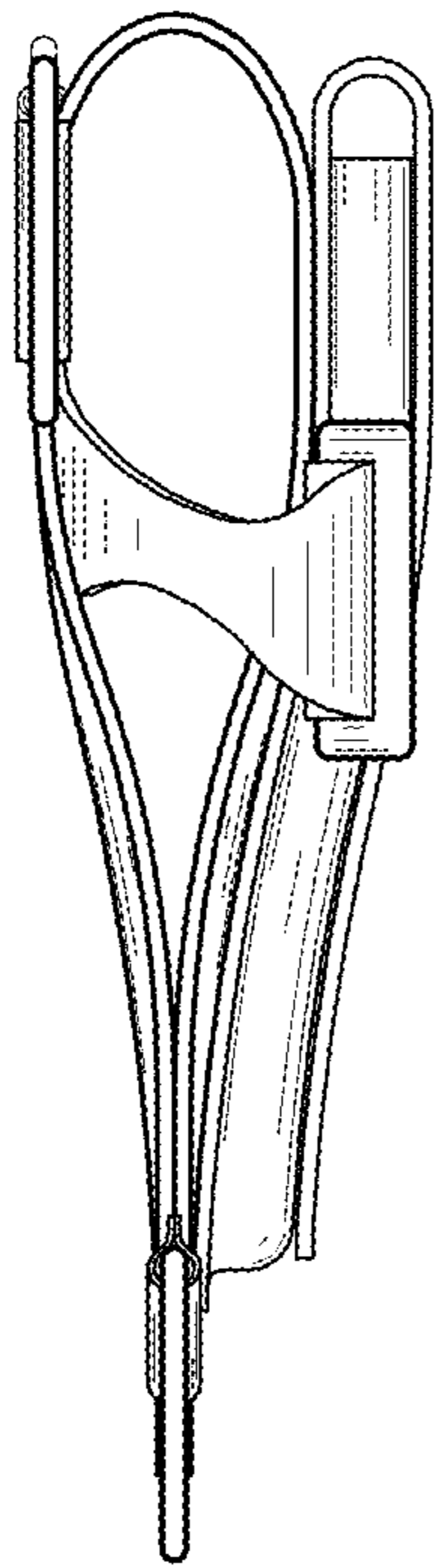


Fig. 14

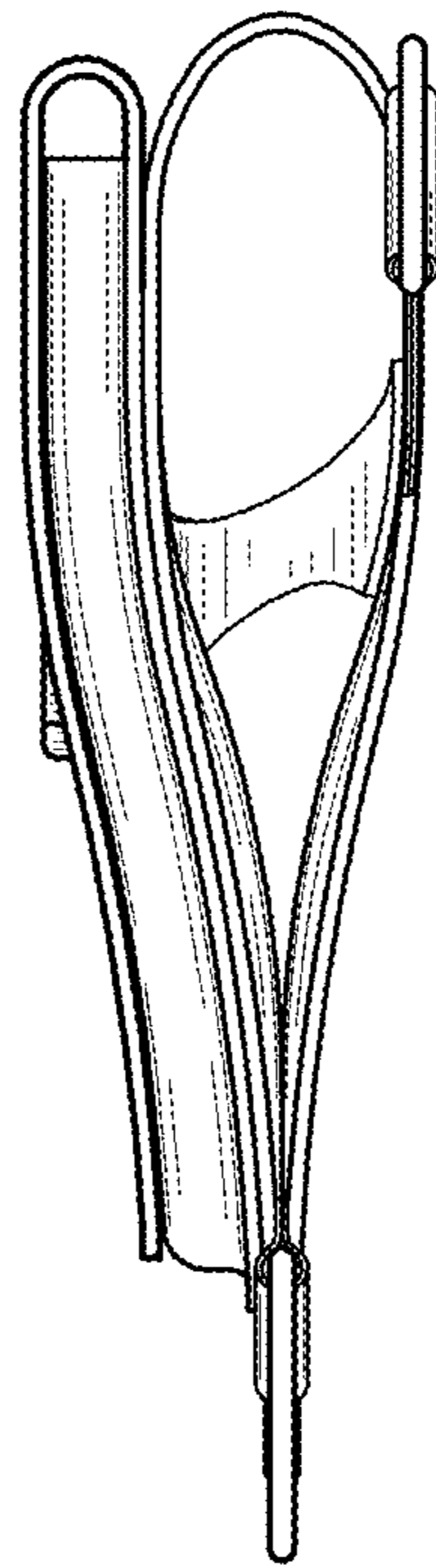


Fig. 15