

US00D773804S

(12) **United States Design Patent**
Gonzalez

(10) **Patent No.:** **US D773,804 S**

(45) **Date of Patent:** **** Dec. 13, 2016**

(54) **PHONE HOLDING BELT**
(71) Applicant: **Norma Gonzalez**, Deer Park, TX (US)
(72) Inventor: **Norma Gonzalez**, Deer Park, TX (US)
(**) Term: **15 Years**
(21) Appl. No.: **29/530,801**

(22) Filed: **Jun. 19, 2015**
(51) **LOC (10) Cl.** **03-01**
(52) **U.S. Cl.**
USPC **D3/218**
(58) **Field of Classification Search**
USPC . D3/218, 219, 215, 226, 224, 228; 224/219,
222, 267, 269, 197, 221, 250, 224/575,
930; D2/627-631; 455/575.1-575.8;
379/455; 206/305, 320
CPC A45C 2011/002; A45F 5/00; A45F 5/02;
A45F 5/021; A45F 2200/0516; A45F
3/02; A45F 3/14
See application file for complete search history.

(56) **References Cited**

U.S. PATENT DOCUMENTS

D395,162 S 6/1998 Frank
5,957,357 A 9/1999 Kallman
D418,973 S * 1/2000 Epstein D3/218
D433,227 S * 11/2000 Evans D2/629

6,478,205 B1 11/2002 Fujihashi
6,651,854 B1 11/2003 LaCoste
6,698,636 B2 3/2004 Angus et al.
6,776,318 B2 8/2004 Washington
D515,806 S 2/2006 Rice
D529,280 S * 10/2006 Krieger D3/218
D653,444 S 2/2012 Larios
D676,232 S 2/2013 Manning et al.
8,899,458 B1 12/2014 Heien et al.
D759,958 S * 6/2016 Requa D3/218

* cited by examiner

Primary Examiner — Catheri Oliver-Garcia

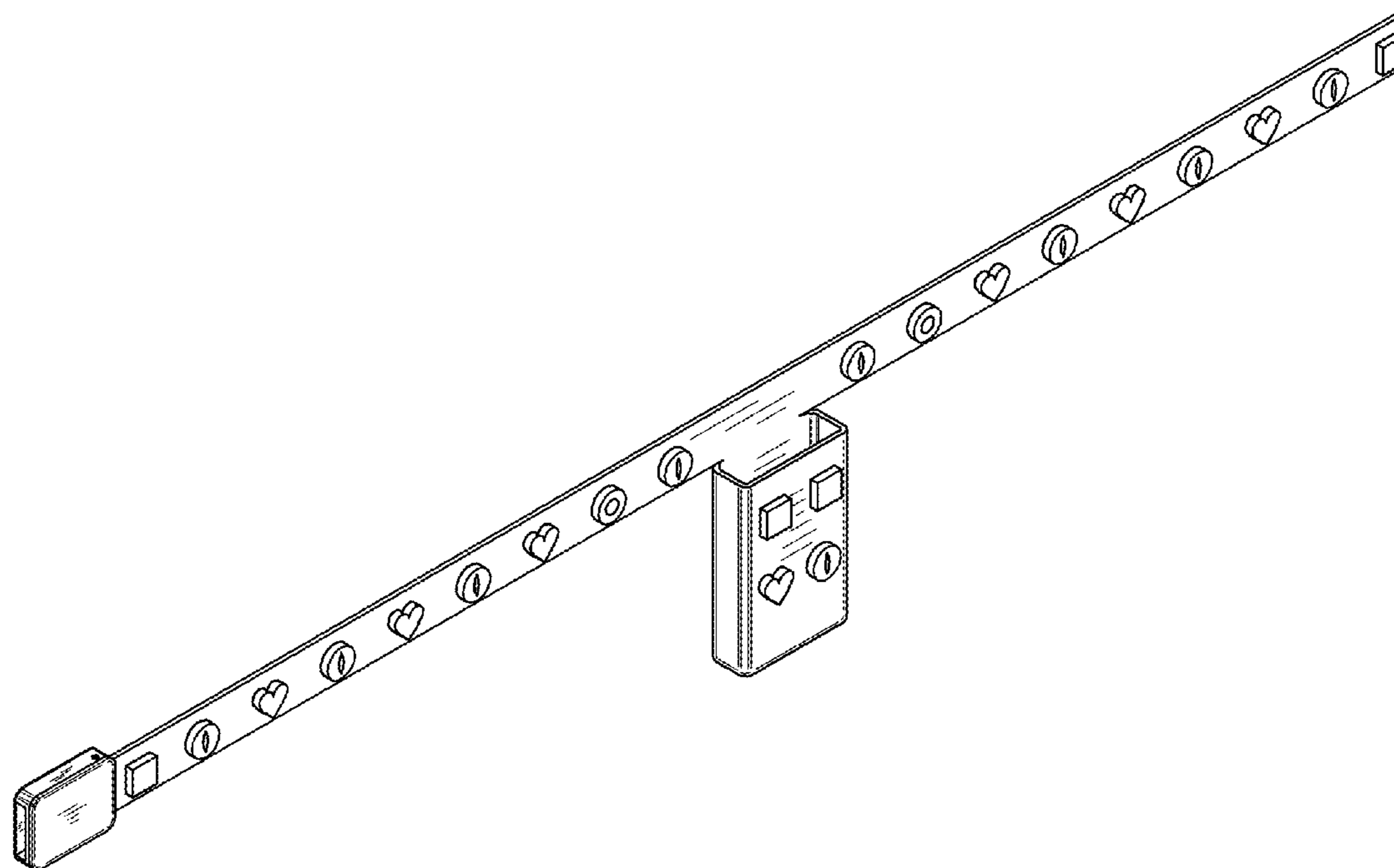
(57) **CLAIM**

The ornamental design for a phone holding belt, as shown and described.

DESCRIPTION

FIG. 1 is a front view of a phone holding belt showing my new design;
FIG. 2 is a rear view of the phone holding belt;
FIG. 3 is a left side view of the phone holding belt;
FIG. 4 is a right side view of the phone holding belt;
FIG. 5 is a top view of the phone holding belt;
FIG. 6 is a bottom view of the phone holding belt; and,
FIG. 7 is a front top side perspective view of the phone holding belt.
A bottom wall and perimeter wall defining the interior space of the pocket have a consistent thickness.

1 Claim, 3 Drawing Sheets



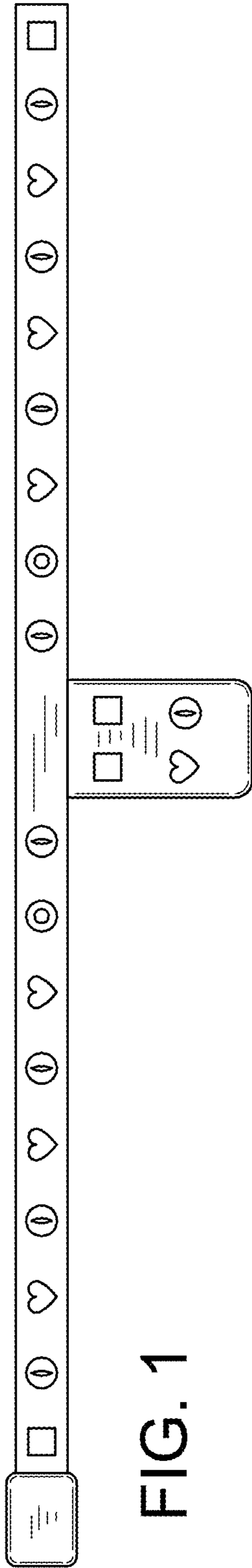


FIG. 1

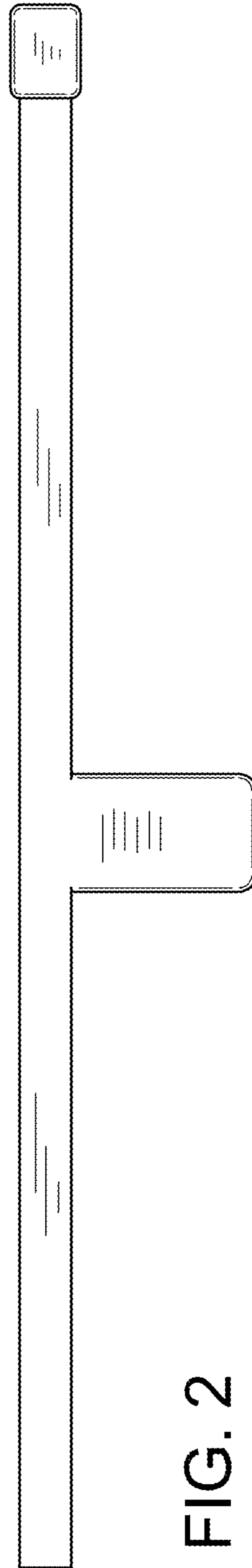


FIG. 2

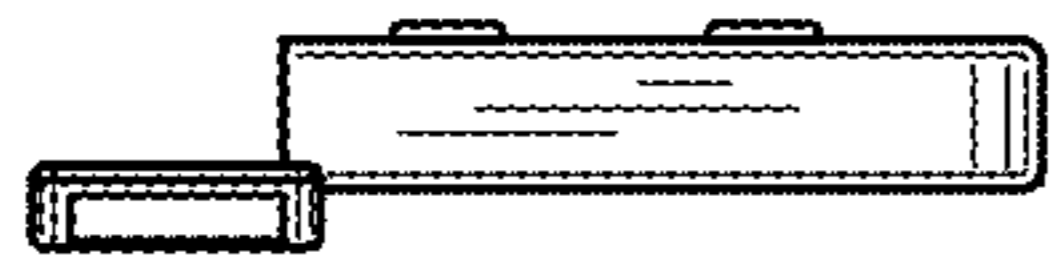


FIG. 3

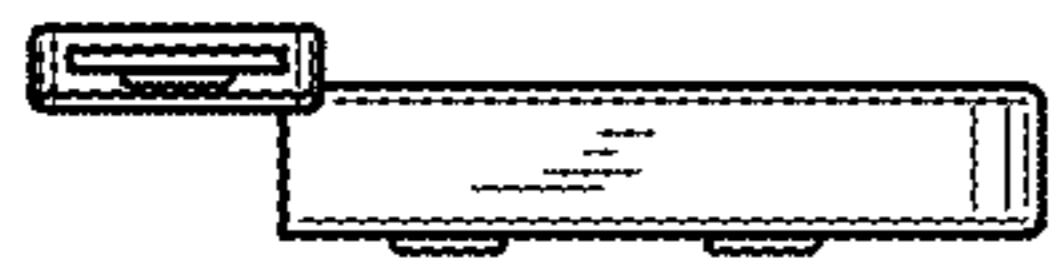


FIG. 4

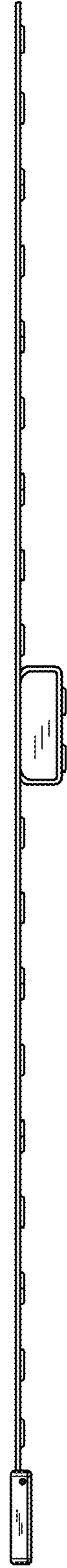


FIG. 5

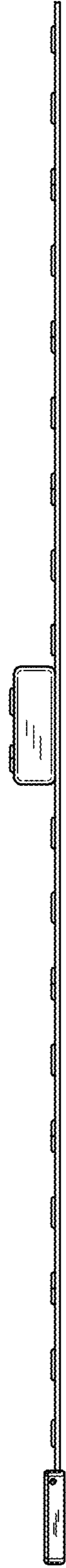


FIG. 6

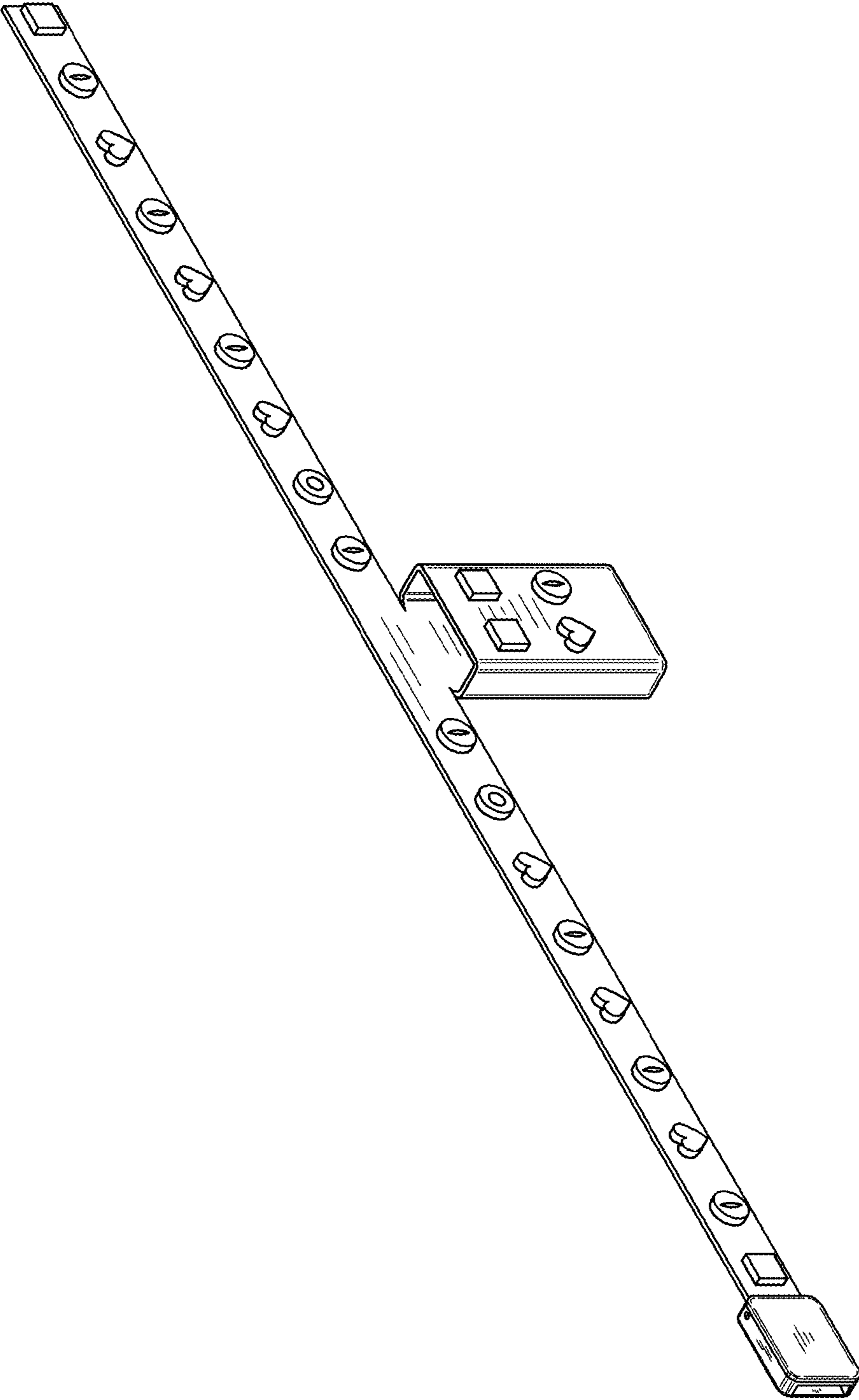


FIG. 7