



US00D773802S

(12) **United States Design Patent**
Morgan et al.

(10) **Patent No.:** **US D773,802 S**

(45) **Date of Patent:** **** Dec. 13, 2016**

(54) **ARMBAND**

(71) Applicant: **ARMPOCKET ENTERPRISES**,
Miramar, FL (US)

(72) Inventors: **Mark Edward Morgan**, Doral, FL
(US); **Jytte Lilli Nielsen**, Doral, FL
(US)

(73) Assignee: **ARMPOCKET ENTERPRISES**,
Miramar, FL (US)

(**) Term: **14 Years**

(21) Appl. No.: **29/499,199**

(22) Filed: **Aug. 12, 2014**

Related U.S. Application Data

(63) Continuation of application No. 29/467,635, filed on Sep. 20, 2013, now Pat. No. Des. 710,597, and a continuation of application No. 29/467,639, filed on Sep. 20, 2013, now Pat. No. Des. 710,598, and a continuation of application No. 29/467,644, filed on Sep. 20, 2013, now Pat. No. Des. 700,774, said application No. 29/467,635 is a continuation-in-part of application No. 13/245,454, filed on Sep. 26, 2011, now Pat. No. 8,752,740, which is a continuation-in-part of application No. 11/509,122, filed on Aug. 24, 2006, now abandoned, application No. 29/499,199, filed on Aug. 12, 2014, which is a continuation of application No. 29/498,344, filed on Aug. 1, 2014, now Pat. No. Des. 741,594, which is a continuation of application No. 29/467,639, filed on Sep. 20, 2013, now Pat. No. Des. 710,598, which is a

(Continued)

(51) **LOC (10) Cl.** **03-01**

(52) **U.S. Cl.**
USPC **D3/218**

(58) **Field of Classification Search**

USPC D3/226, 218-219, 215; 224/219, 222,
224/267, 269, 197, 221, 250, 575, 930;
455/575.1-575.8

See application file for complete search history.

(56) **References Cited**

U.S. PATENT DOCUMENTS

1,564,881 A * 12/1925 Montgomery A45F 5/00
224/170
D258,246 S * 2/1981 Kravchenko 224/222
(Continued)

Primary Examiner — Catheri Oliver-Garcia

(74) *Attorney, Agent, or Firm* — Marshall, Gerstein &
Borun LLP

(57) **CLAIM**

The ornamental design for an armband, as shown and described.

DESCRIPTION

FIG. 1 is an isometric view of an armband that has the design.

FIG. 2 is a front view of the armband seen in FIG. 1.

FIG. 3 is a back view of the armband seen in FIG. 1.

FIG. 4 is a right-side view of the armband seen in FIG. 1.

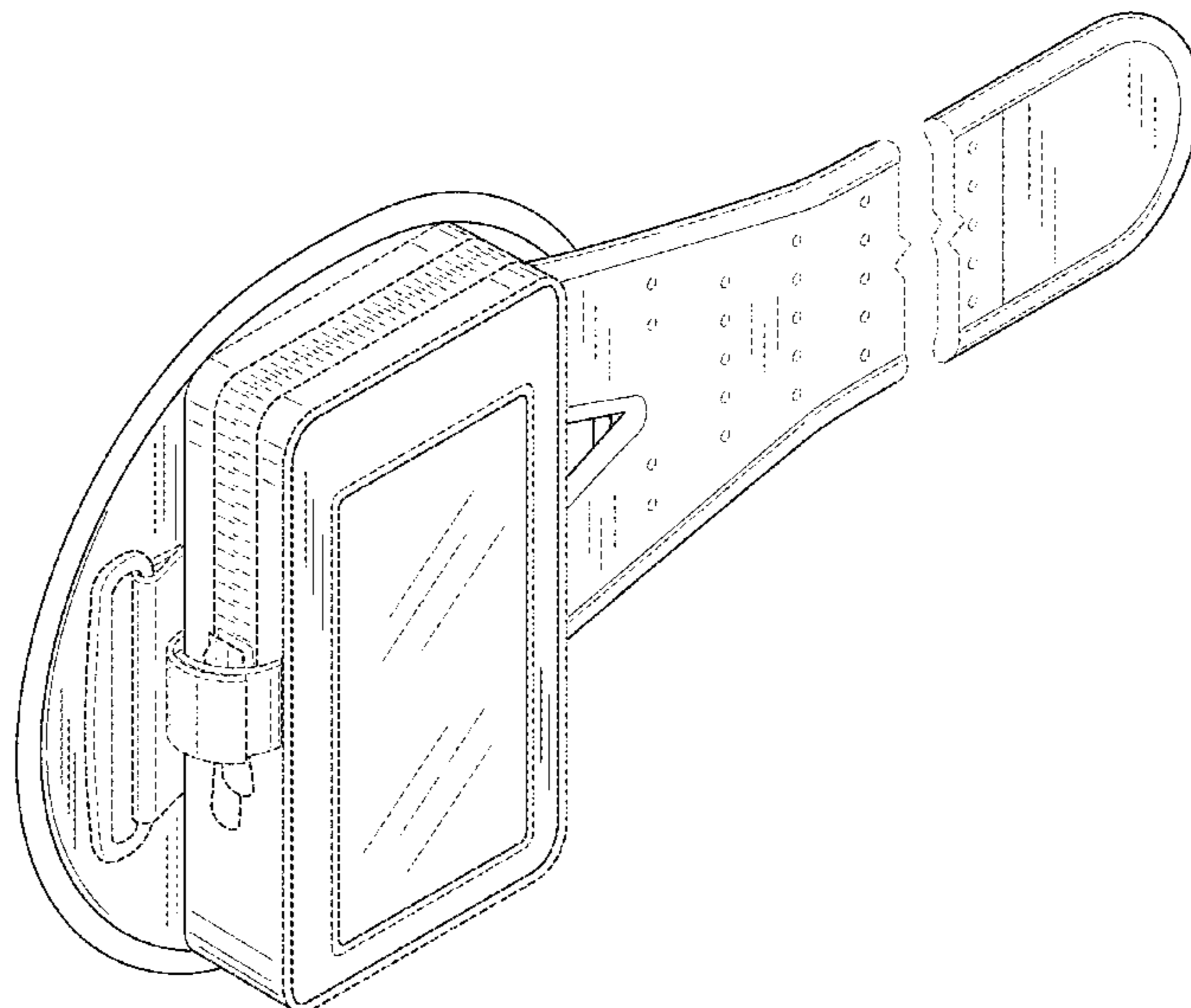
FIG. 5 is a left-side view of the armband seen in FIG. 1.

FIG. 6 is a top view of the armband seen in FIG. 1; and,

FIG. 7 is a bottom view of the armband seen in FIG. 1.

The broken lines around the central face in the isometric view and in the front view and around the flap in the bottom view are intended to represent stitching and form part of the claimed design. The other broken lines represent unclaimed portions of the armband and form no part of the claimed design.

1 Claim, 5 Drawing Sheets



Related U.S. Application Data

continuation-in-part of application No. 13/245,454,
filed on Sep. 26, 2011, now Pat. No. 8,752,740, which
is a continuation-in-part of application No. 11/509,
122, filed on Aug. 24, 2006, now abandoned.

(56)

References Cited

U.S. PATENT DOCUMENTS

D265,861 S *	8/1982	Walasek	224/222
4,432,477 A *	2/1984	Haidt	A45F 5/00 224/222

* cited by examiner

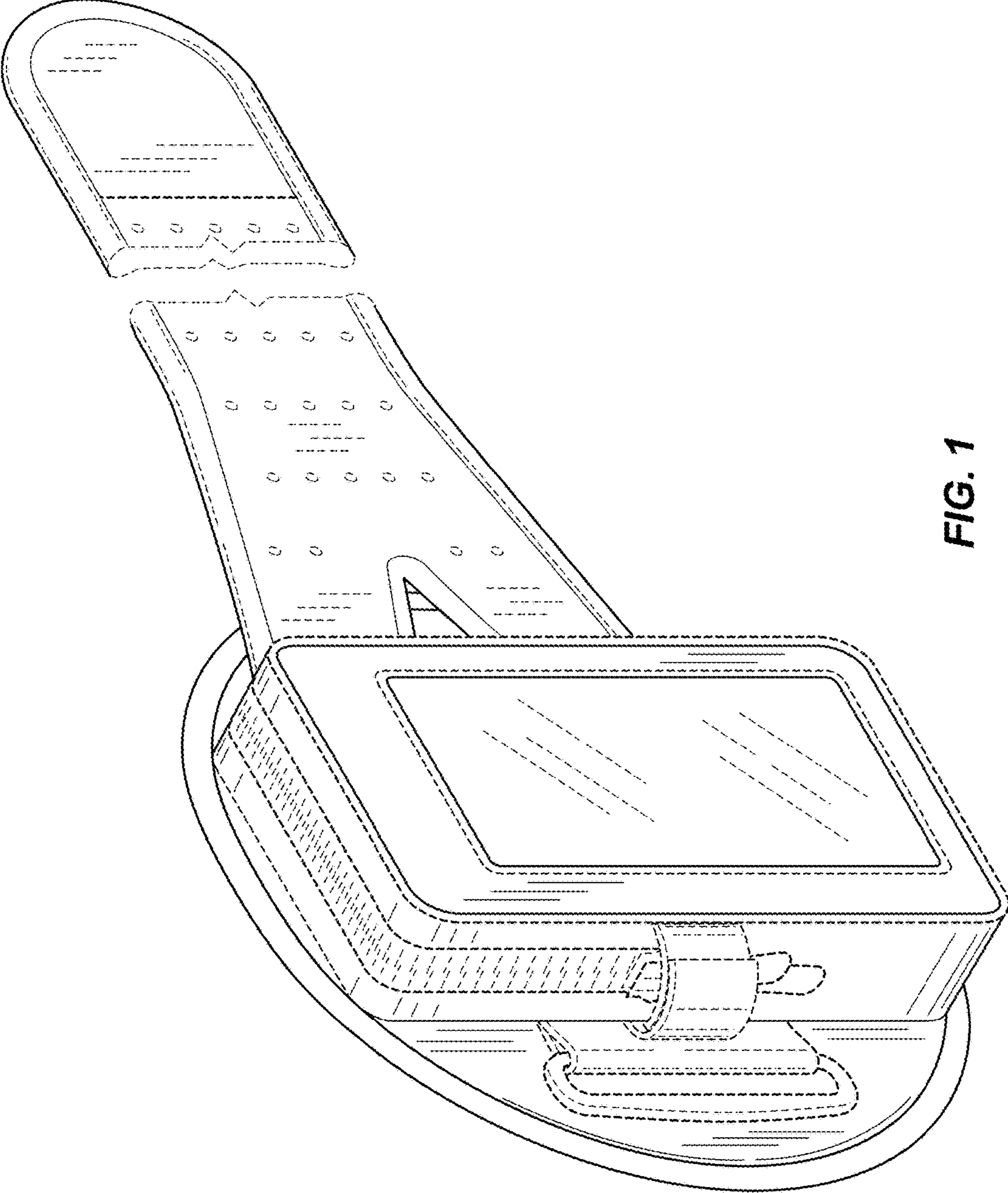


FIG. 1

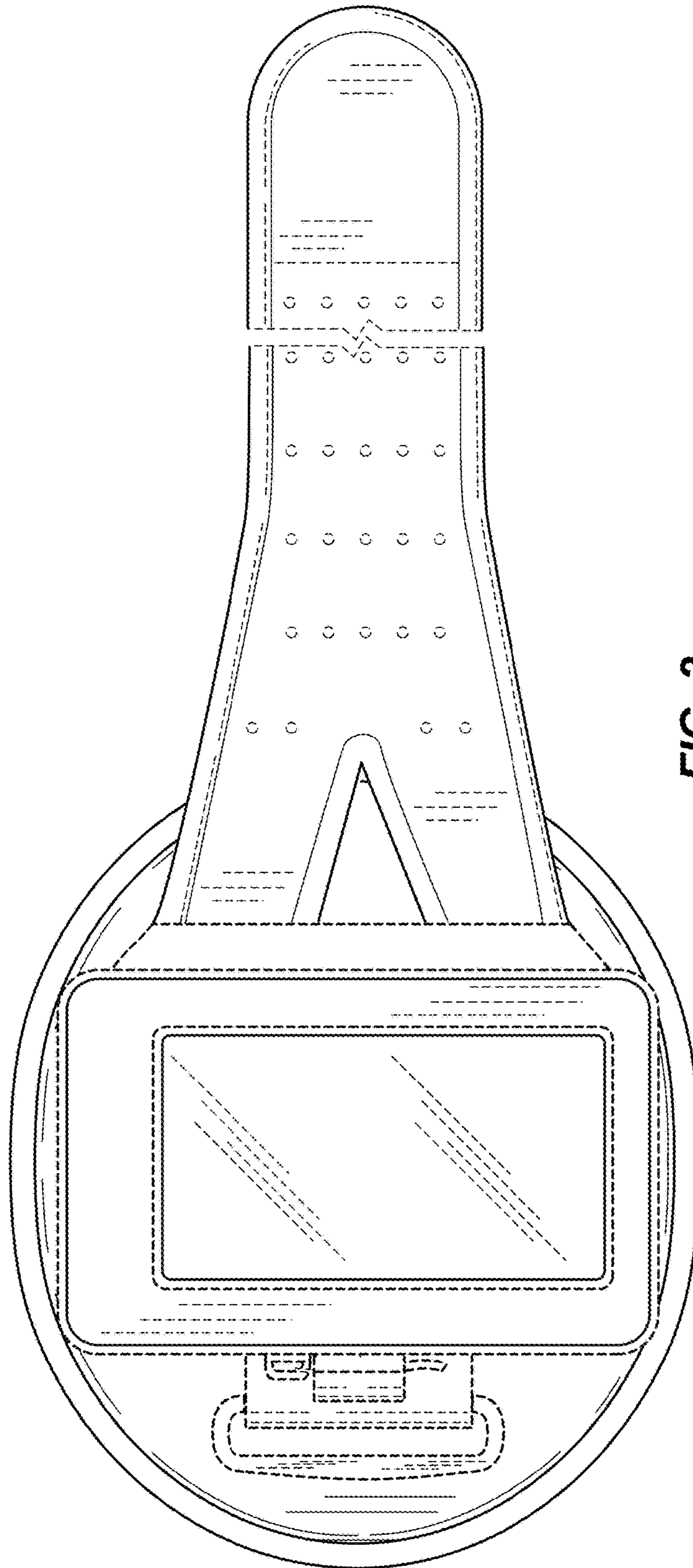


FIG. 2

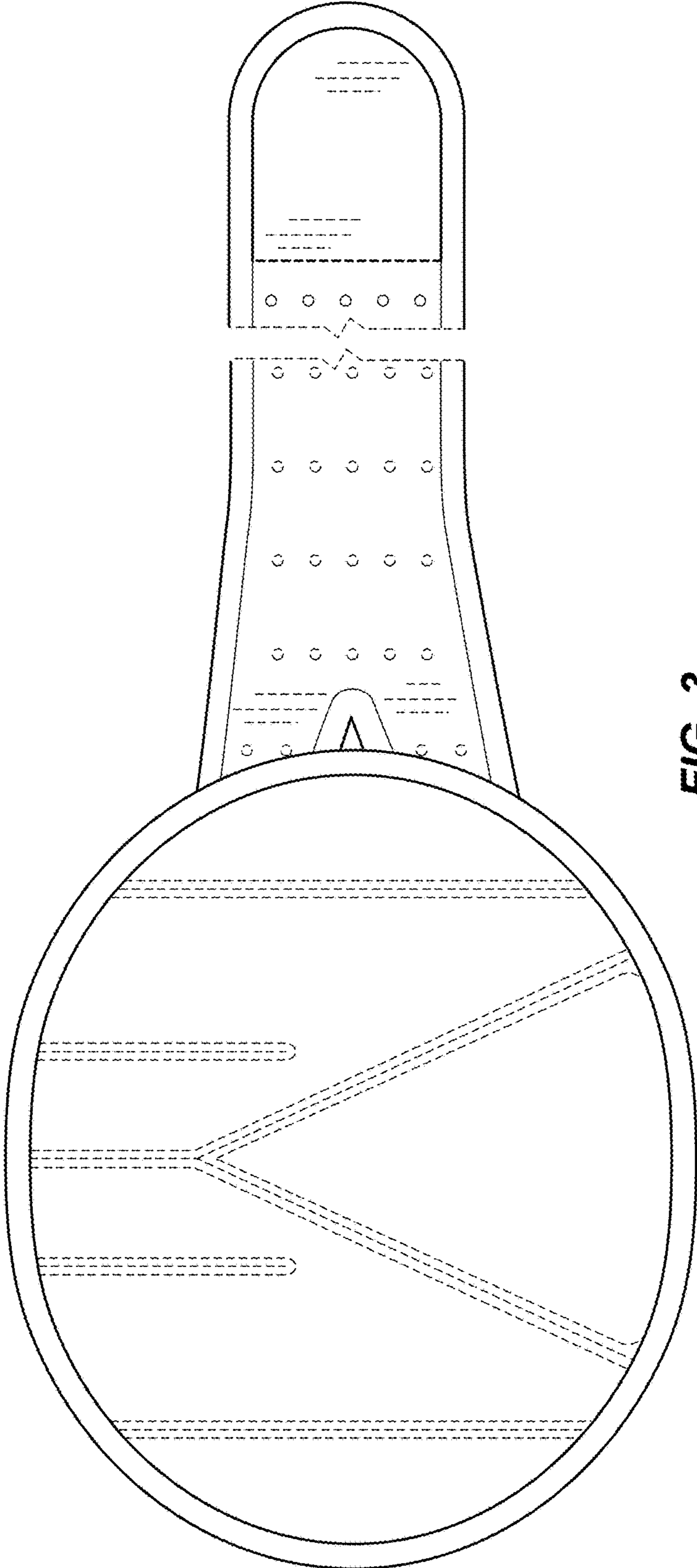


FIG. 3

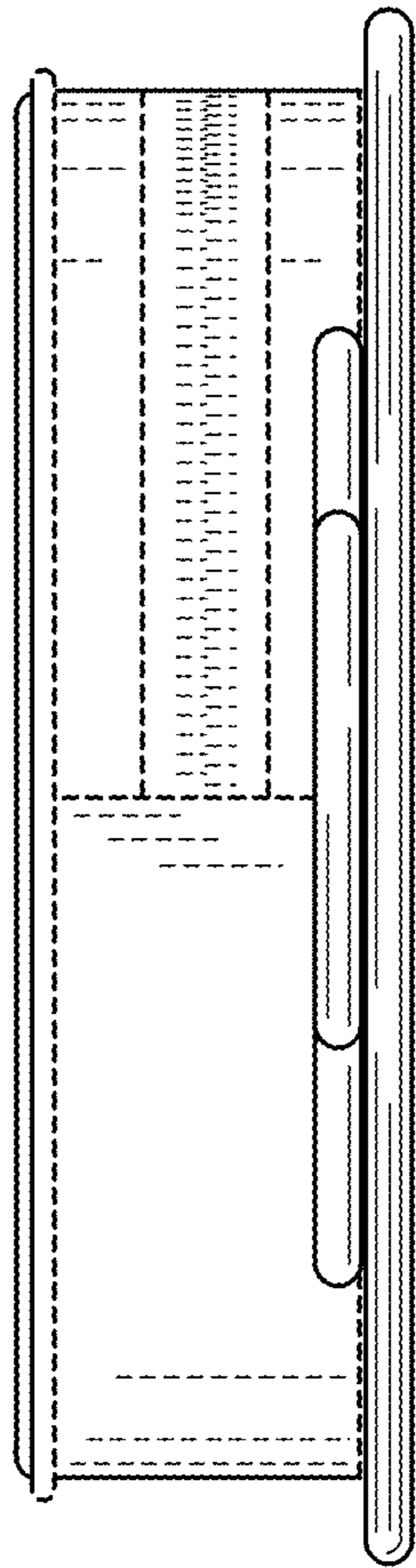


FIG. 4

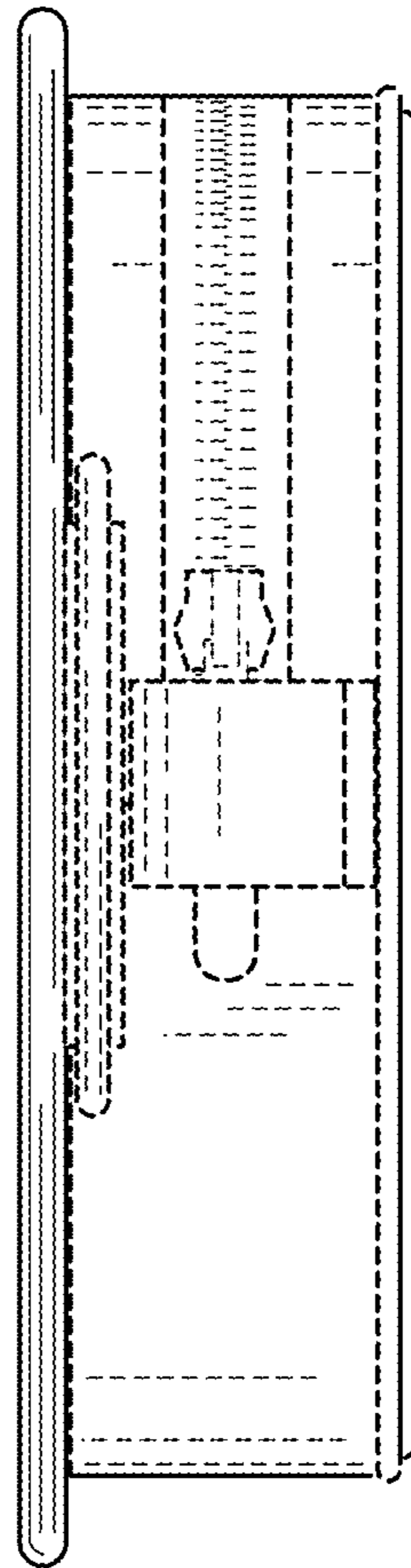


FIG. 5

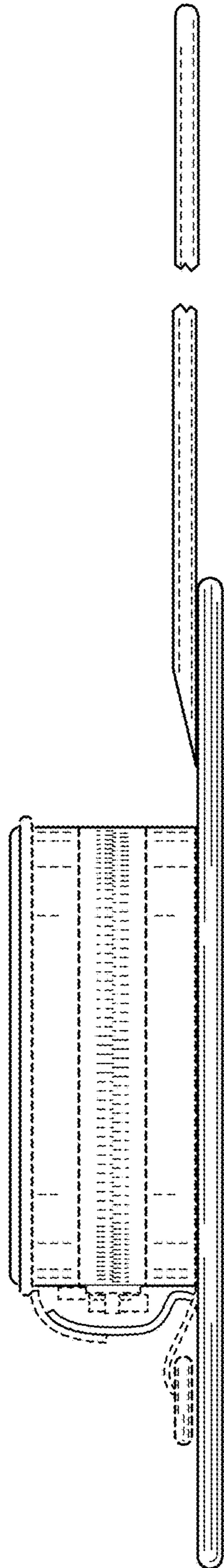


FIG. 6

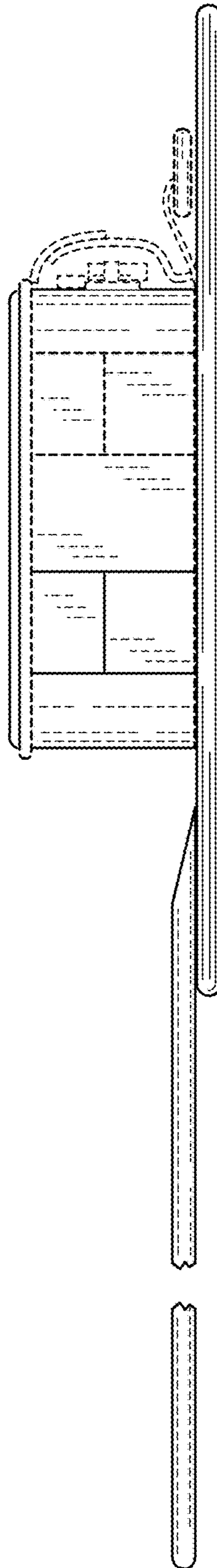


FIG. 7