



US00D773787S

(12) **United States Design Patent** (10) **Patent No.:** **US D773,787 S**
Patulski (45) **Date of Patent:** **** Dec. 13, 2016**

(54) **ACCESSORY MOUNT**
(71) Applicant: **TASER International, Inc.**, Scottsdale, AZ (US)
(72) Inventor: **Nathan A. Patulski**, Scottsdale, AZ (US)
(73) Assignee: **TASER International, Inc.**, Scottsdale, AZ (US)
(**) Term: **15 Years**
(21) Appl. No.: **29/531,040**
(22) Filed: **Jun. 27, 2015**
(51) **LOC (10) Cl.** **02-02**
(52) **U.S. Cl.**
USPC **D2/853**
(58) **Field of Classification Search**
USPC D2/502, 609, 628, 633, 636, 639, 863, D2/864, 895, 976, 999; D5/63; D8/16, 19, D8/26, 37, 330, 350, 353, 354, 364, 366, D8/499; D/1186, 87, 132, 145, 155, 184, D11/210, 215, 218, 228, 236, 237, 238; D14/168, 203.5, 209, 224, 238, 511; D16/136, 200, 202, 203, 208, 219-220, D16/235, 237-245, 250; D29/101.3, 103, D29/129, 130; 2/244, 246, 249, 250, 312; 16/227, 232, 420, 427; D10/121; D13/152
CPC G02B 7/10; G02B 7/28; G03B 15/03; G03B 15/05; G03B 17/00; G03B 17/02; G03B 17/56; G03B 35/08; H04N 5/225; H04N 7/18; G06F 1/163
See application file for complete search history.

D534,904 S * 1/2007 Crawford D14/238
D536,237 S * 2/2007 Smith D8/353
D582,465 S * 12/2008 Nakajima D16/202
D611,799 S * 3/2010 Harris D8/353
D643,701 S * 8/2011 Weber D8/353
D652,411 S * 1/2012 Crawford D14/238
D654,064 S * 2/2012 Sergi D14/238
D658,040 S * 4/2012 Ghatikar D8/354
D662,960 S * 7/2012 Krieter D16/203
D732,375 S * 6/2015 Questel D8/353
D737,362 S * 8/2015 Chang D16/237
D737,363 S * 8/2015 Russell D16/208
2013/0256484 A1 * 10/2013 Kessler G03B 17/561
248/224.7
2014/0028243 A1 * 1/2014 Rayner G06F 1/163
320/103
2014/0165757 A1 * 6/2014 Lutz G03B 17/561
74/412 R

(Continued)

OTHER PUBLICATIONS

“Carlsbad police to test body-worn cameras.” Feb. 29, 2016. Seaside Courier. http://www.seasidecourier.com/news/carlsbad-police-to-test-body-worn-cameras/article_7183eea4-df29-11e5-9c17-1bf6e7eac084.html.*

(Continued)

Primary Examiner — Manpreet Matharu
Assistant Examiner — Suzanne Tisdell
(74) *Attorney, Agent, or Firm* — Lawrence Letham

(57) **CLAIM**

The ornamental design for an accessory mount, as shown and described.

DESCRIPTION

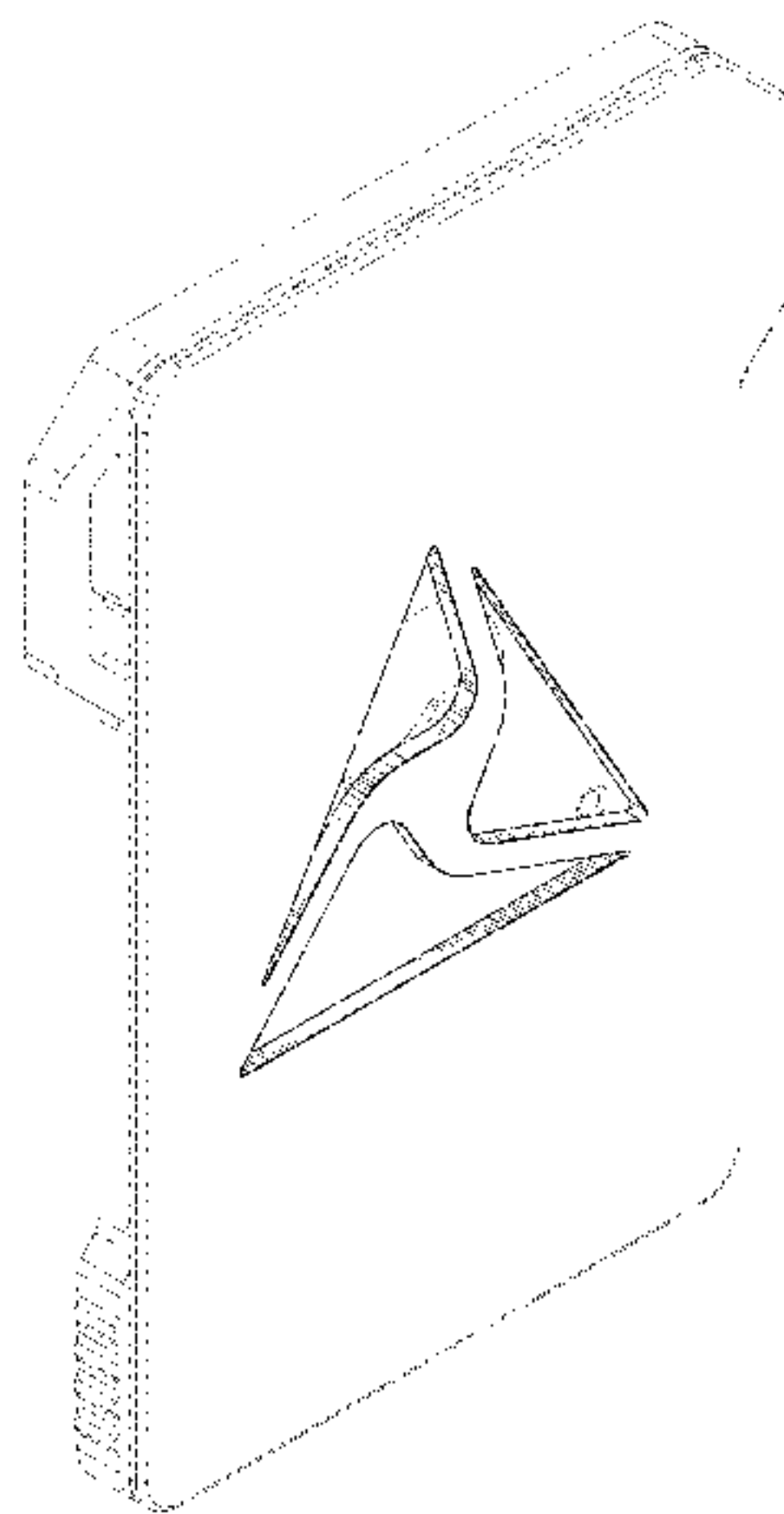
FIG. 1 is left rear isometric view of an accessory mount according to my new design;
FIG. 2 is a right rear isometric view of the accessory mount shown in FIG. 1; and,
FIG. 3 is a rear view of the accessory mount shown in FIG. 1.

(Continued)

(56) **References Cited**

U.S. PATENT DOCUMENTS

19,832 A * 4/1858 Cox A41D 27/20
2/249
D28,533 S * 5/1898 Schuyler D11/218
D179,659 S * 2/1957 Cook D8/353
D214,590 S * 7/1969 Gordon D8/354
D241,809 S * 10/1976 Mellyn D8/353



The broken lines show portions of the accessory mount that form no part of the claimed design.

1 Claim, 3 Drawing Sheets

(56)

References Cited

U.S. PATENT DOCUMENTS

2015/0236447 A1* 8/2015 Nakajima G03B 17/56
403/322.4
2016/0021341 A1* 1/2016 Lee G03B 15/05
348/143

OTHER PUBLICATIONS

“Body Camera Accessories” Accessed: Mar. 21, 2016. Taser International. <https://www.taser.com/products/on-officer-video/accessories>.*

“Taser Axon Body 2 Camera User Manual” Accessed Mar. 21, 2016. Taser International. https://prismic-io.s3.amazonaws.com/tasr%2F435edc07-dbf-4630-8379-5bd866562b62_axon-body-2-manual-mmu0057.pdf.*

* cited by examiner

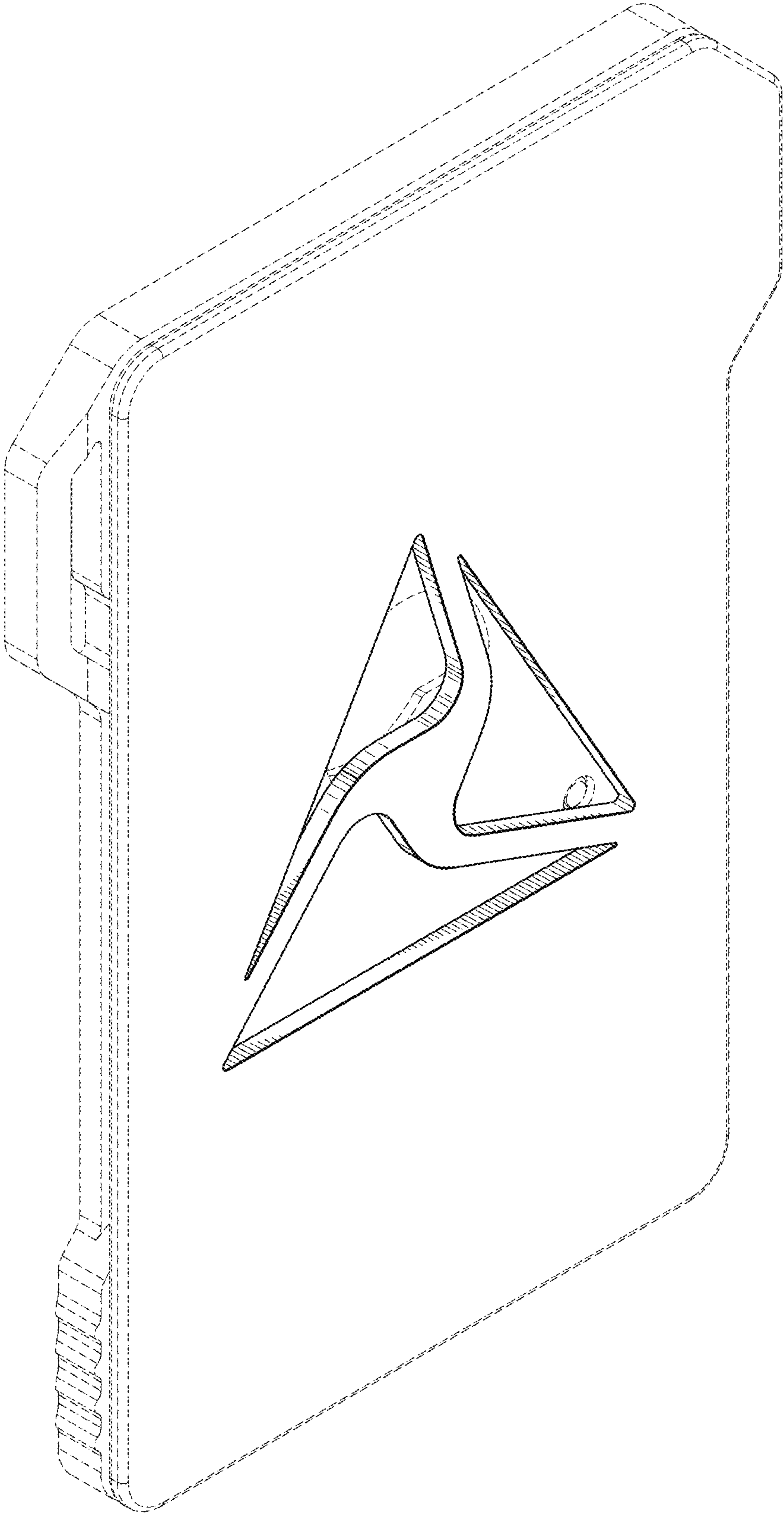


Fig. 1.

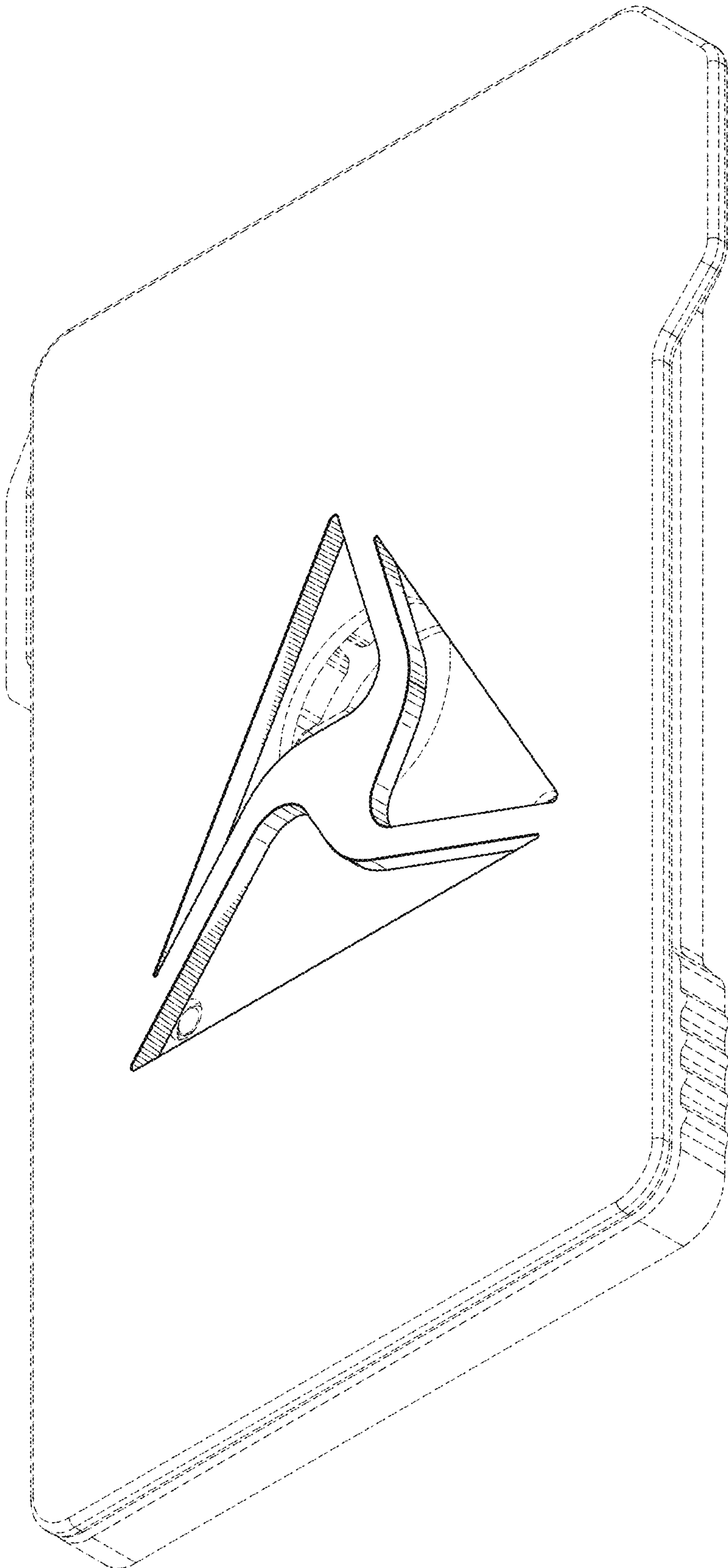


Fig. 2.

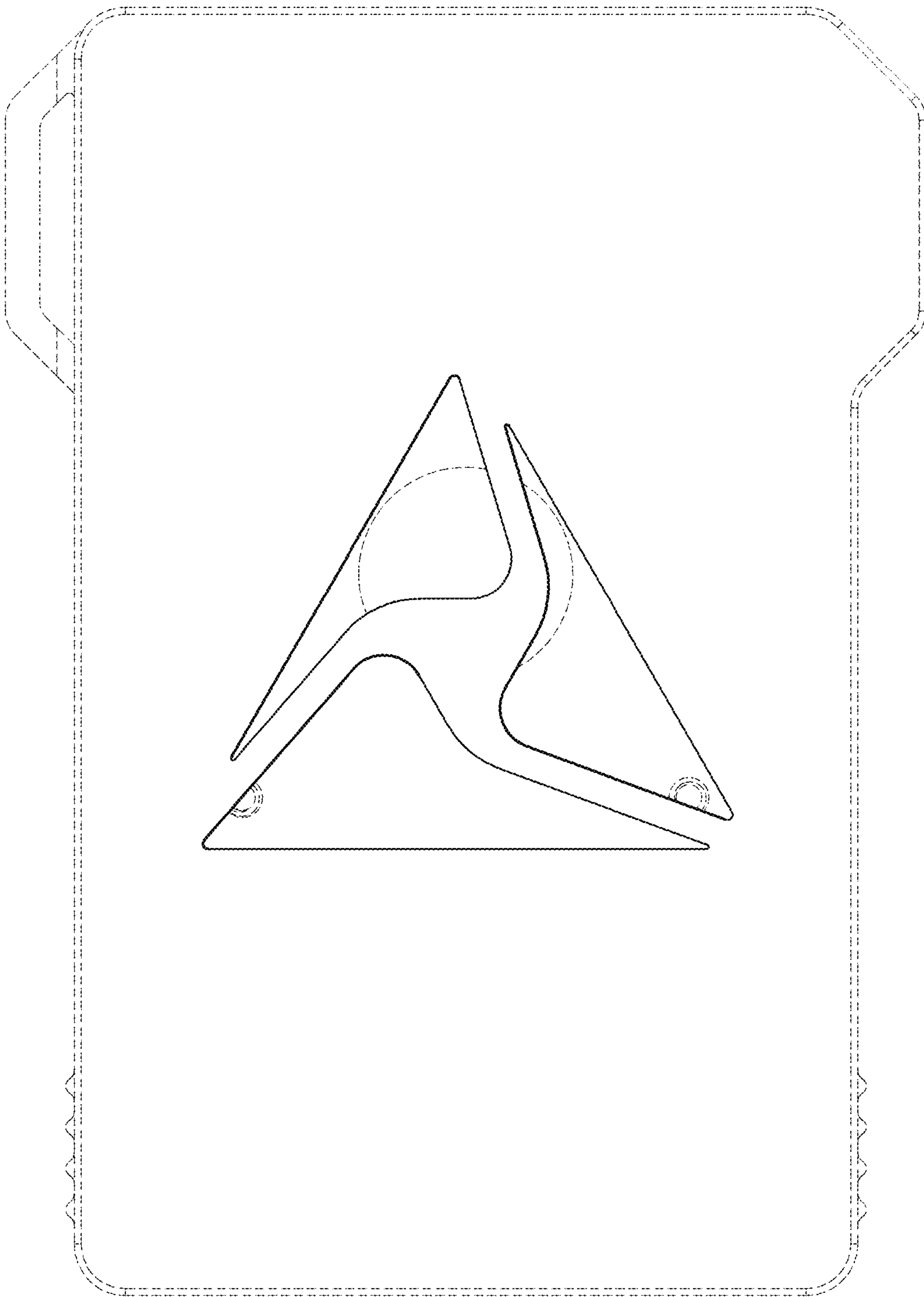


Fig. 3.