



US00D773786S

(12) **United States Design Patent** (10) **Patent No.:** **US D773,786 S**
Patulski (45) **Date of Patent:** **** Dec. 13, 2016**

(54) **ACCESSORY MOUNT**

(71) Applicant: **TASER International, Inc.**, Scottsdale, AZ (US)

(72) Inventor: **Nathan A. Patulski**, Scottsdale, AZ (US)

(73) Assignee: **TASER International, Inc.**, Scottsdale, AZ (US)

(**) Term: **15 Years**

(21) Appl. No.: **29/531,039**

(22) Filed: **Jun. 23, 2015**

(51) **LOC (10) Cl.** **02-02**

(52) **U.S. Cl.**

USPC **D2/853**

(58) **Field of Classification Search**

USPC D2/502, 609, 628, 633, 636, 639, 863, D2/864, 895, 976, 999; D5/63; D8/16, 19, D8/26, 37, 330, 350, 353, 354, 364, 366, D8/499; D11/86, 87, 132, 145, 155, 184, D11/210, 215, 218, 228, 236, 237, 238; D14/168, 203.5, 209, 224, 238, 511; D16/136, 200, 202, 203, 208, D16/219-220, 235, 237-245, 250; D29/101.3, 103, 129, 130; 2/244, 246, 2/249, 250, 312; 16/227, 232, 420, 427; D10/121; D13/152
CPC G02B 7/10; G02B 7/28; G03B 15/03; G03B 15/05; G03B 17/00; G03B 17/02; G03B 17/56; G03B 35/08; H04N 5/225; H04N 7/18; G06F 1/163

See application file for complete search history.

(56) **References Cited**

U.S. PATENT DOCUMENTS

19,832 A * 4/1858 Cox A41D 27/20
2/249
D28,533 S * 5/1898 Schuyler D11/218
D179,659 S * 2/1957 Cook D8/353

D214,590 S * 7/1969 Gordon D8/354
D241,809 S * 10/1976 Mellyn D8/353
D534,904 S * 1/2007 Crawford D14/238
D536,237 S * 2/2007 Smith D8/353
D582,465 S * 12/2008 Nakajima D16/202
D611,799 S * 3/2010 Harris D8/353
D643,701 S * 8/2011 Weber D8/353
D652,411 S * 1/2012 Crawford D14/238

(Continued)

OTHER PUBLICATIONS

“Carlsbad police to test body-worn cameras.” Feb. 29, 2016. Seaside Courier. http://www.seasidecourier.com/news/carlsbad-police-to-test-body-worn-cameras/article_7183eea4-df29-11e5-9c17-1bf6e7eac084.html.*

(Continued)

Primary Examiner — Manpreet Matharu

Assistant Examiner — Suzanne Tisdell

(74) *Attorney, Agent, or Firm* — Lawrence Letham

(57) **CLAIM**

The ornamental design for an accessory mount, as shown and described.

DESCRIPTION

FIG. 1 is left front isometric view of an accessory mount according to my new design;
FIG. 2 is a left rear isometric view of the accessory mount shown in FIG. 1;
FIG. 3 is a right rear isometric view of the accessory mount shown in FIG. 1;
FIG. 4 is a front view of the accessory mount shown in FIG. 1;
FIG. 5 is a rear view of the accessory mount shown in FIG. 1;
FIG. 6 is a top view of the accessory mount shown in FIG. 1;
FIG. 7 is a bottom view of the accessory mount shown in FIG. 1;
FIG. 8 is a left side view of the accessory mount shown in FIG. 1; and,

(Continued)

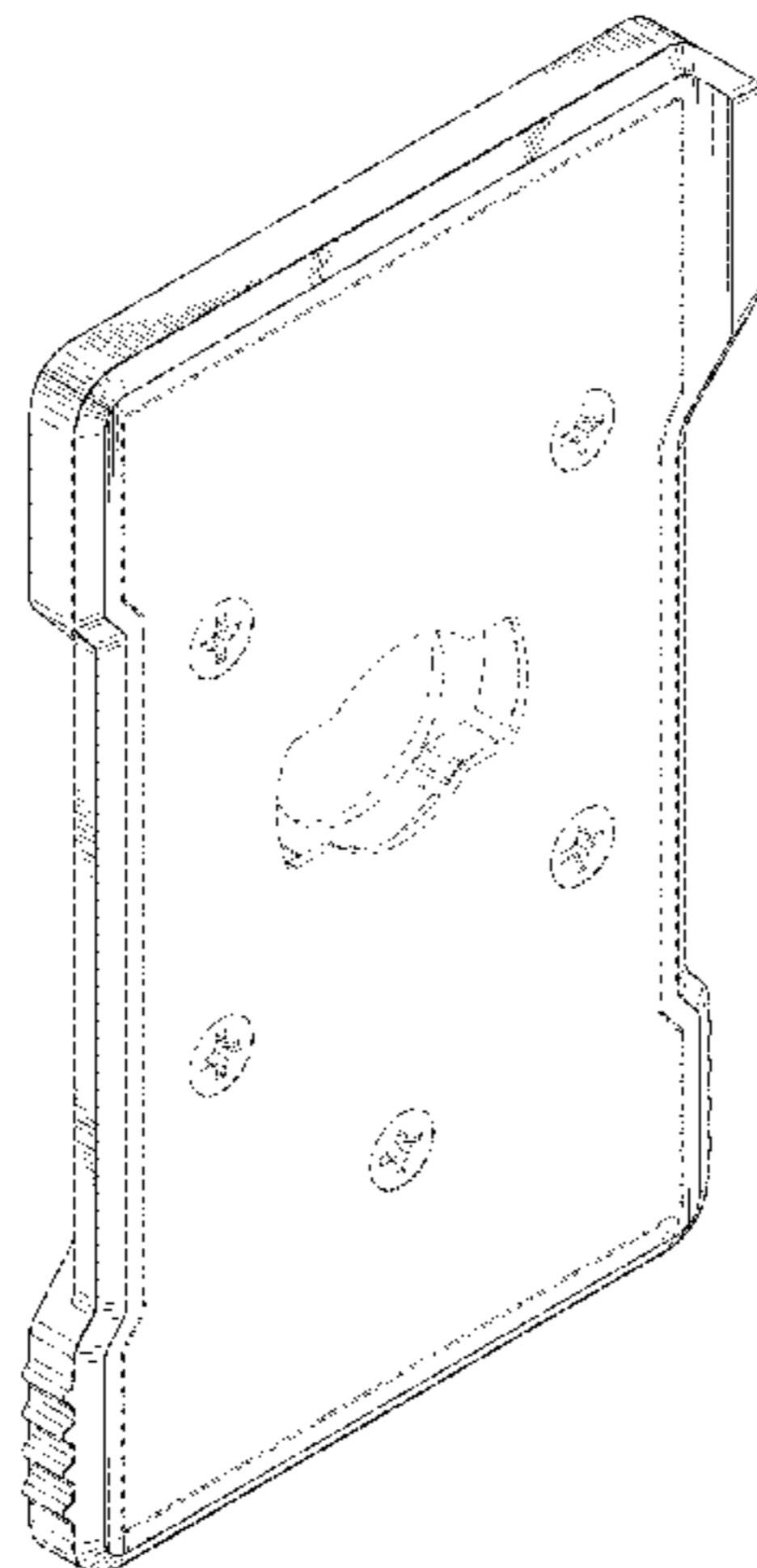


FIG. 9 is a right side view of the accessory mount shown in FIG. 1.

The broken lines show portions of the accessory mount that form no part of the claimed design.

1 Claim, 7 Drawing Sheets

2014/0028243	A1*	1/2014	Rayner	G06F 1/163 320/103
2014/0165757	A1*	6/2014	Lutz	G03B 17/561 74/412 R
2015/0236447	A1*	8/2015	Nakajima	G03B 17/56 403/322.4
2016/0021341	A1*	1/2016	Lee	G03B 15/05 348/143

(56)

References Cited

U.S. PATENT DOCUMENTS

D654,064	S *	2/2012	Sergi	D14/238
D658,040	S *	4/2012	Ghatikar	D8/354
D662,960	S *	7/2012	Krieter	D16/203
D732,375	S *	6/2015	Questel	D8/353
D737,362	S *	8/2015	Chang	D16/237
D737,363	S *	8/2015	Russell	D16/208
2013/0256484	A1*	10/2013	Kessler	G03B 17/561 248/224.7

OTHER PUBLICATIONS

“Body Camera Accessories” Accessed: Mar. 21, 2016. Taser International. <https://www.taser.com/products/on-officer-video/accessories>.*

“Taser Axon Body 2 Camera User Manual” Accessed Mar. 21, 2016. Taser International. https://prismic.io.s3.amazonaws.com/tasr%2F435edc07-dbf-4630-8379-5bd866562b62_axon-body-2-manual-mm0057.pdf.*

* cited by examiner

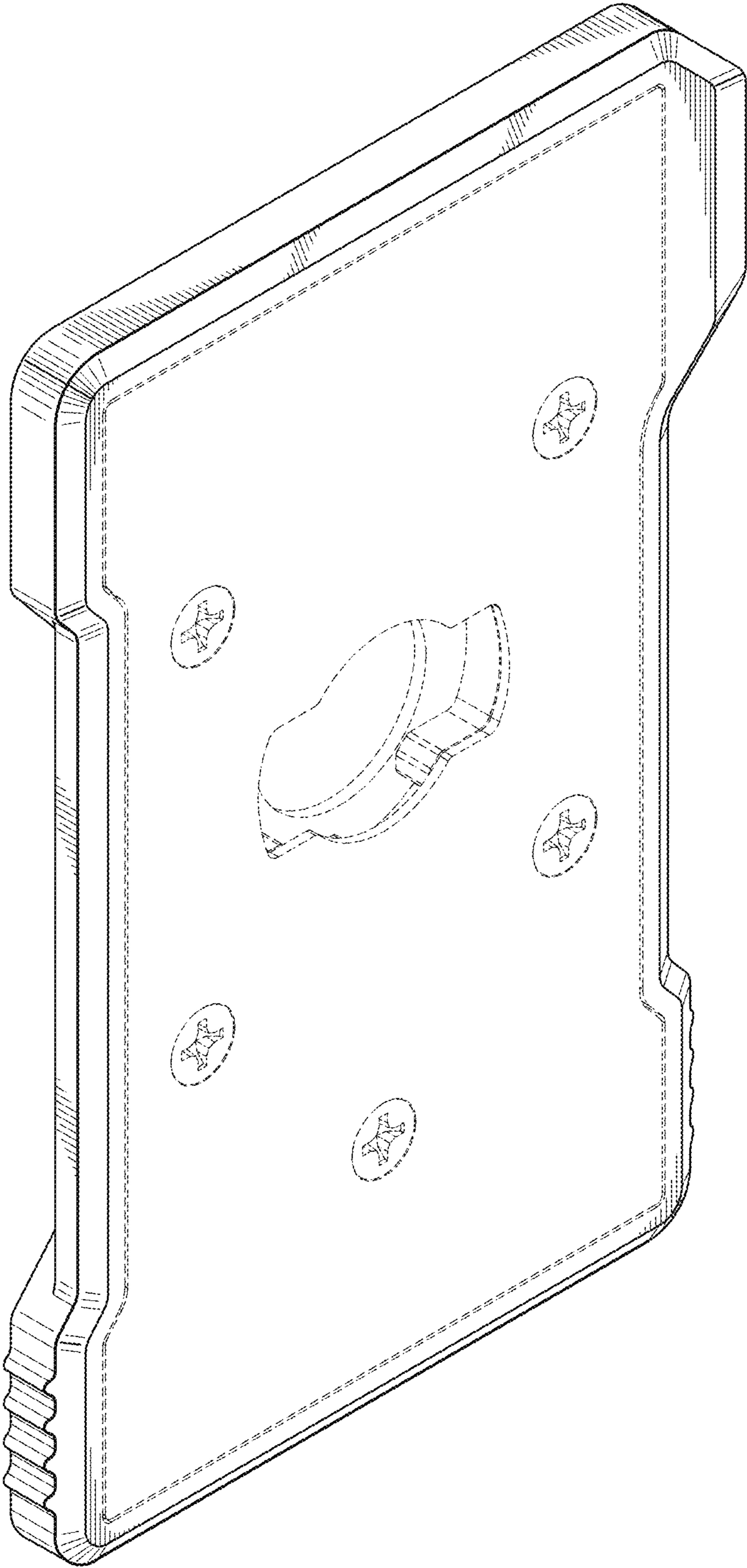


Fig. 1.

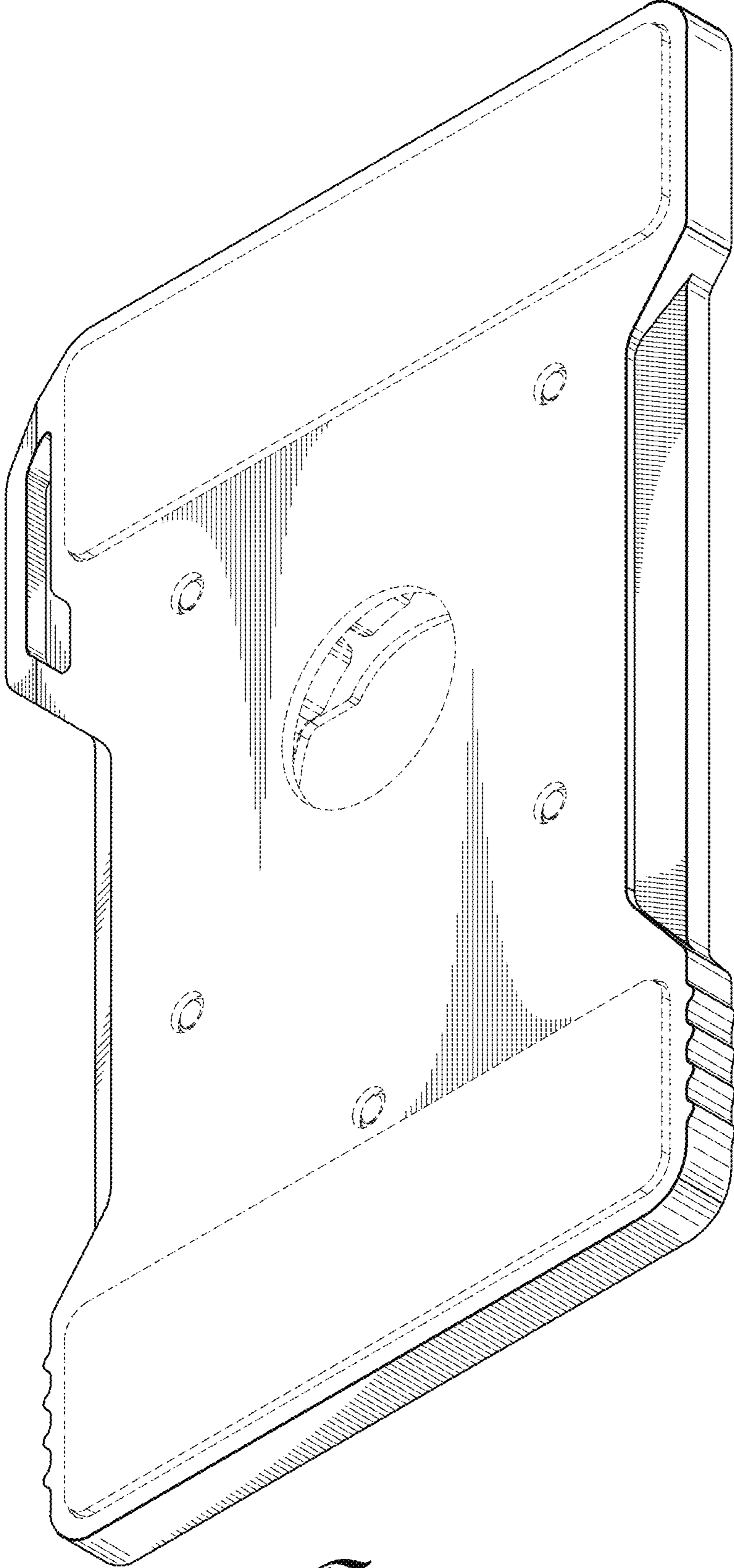


Fig. 2.

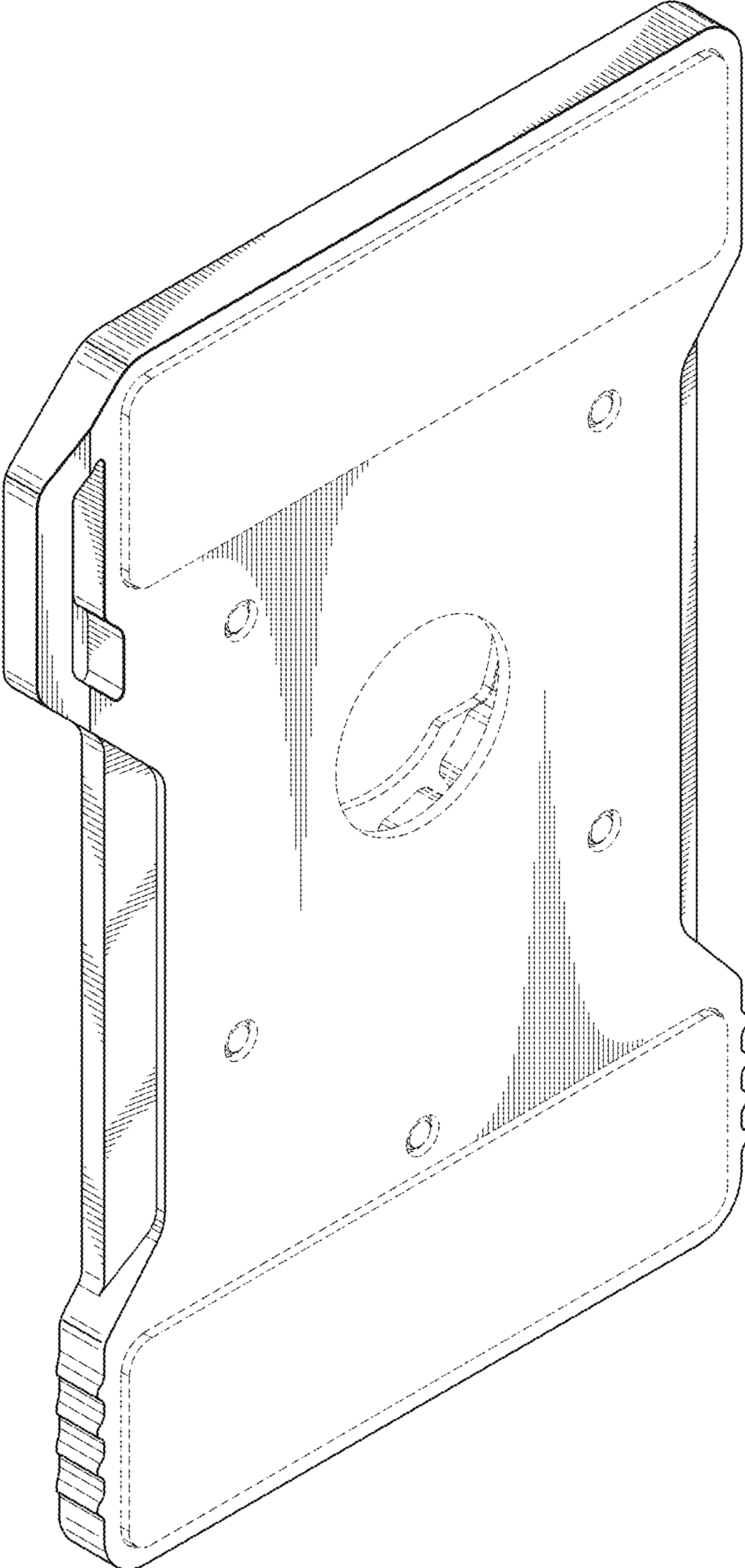


Fig. 3.

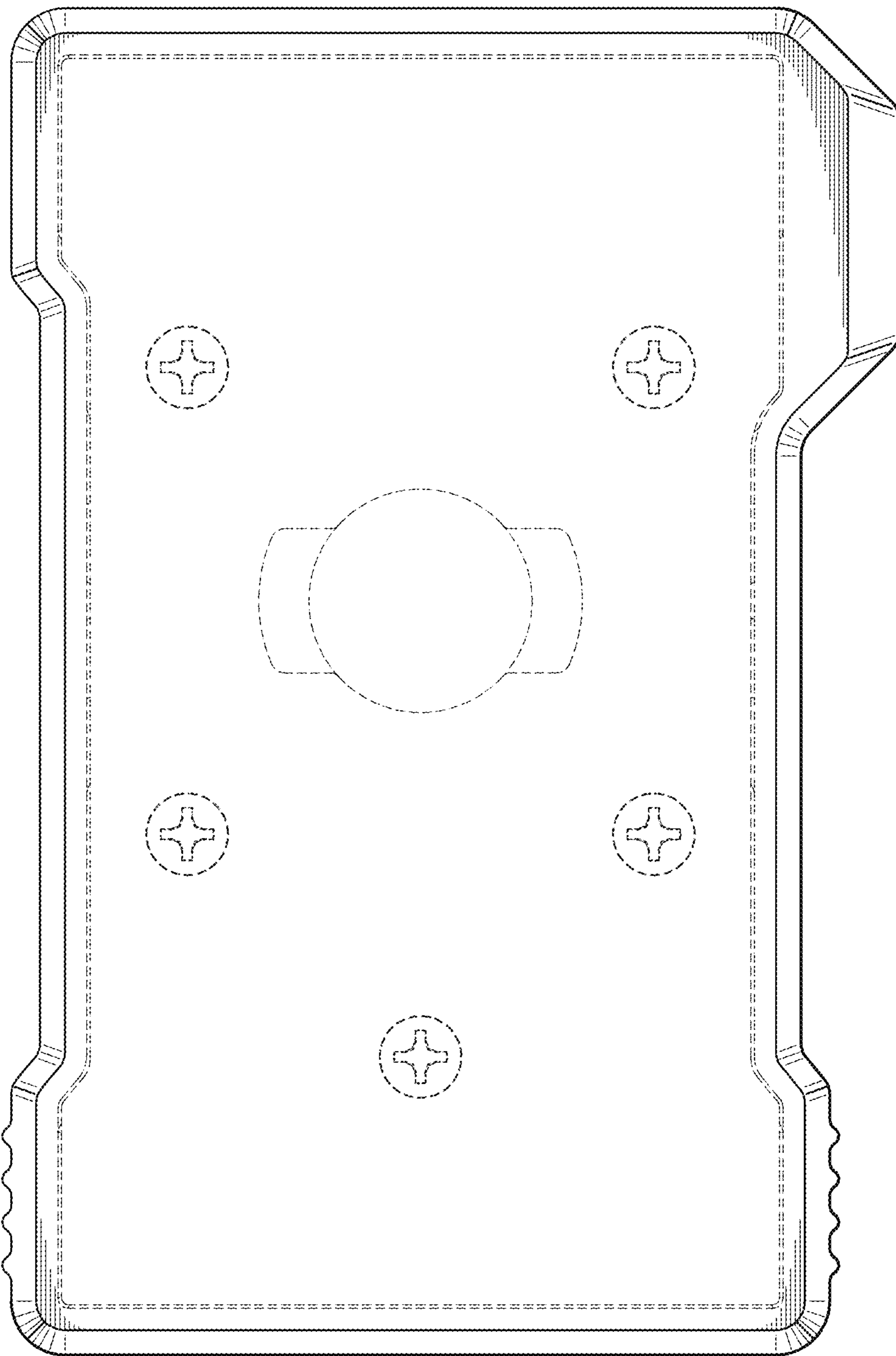


Fig. 4.

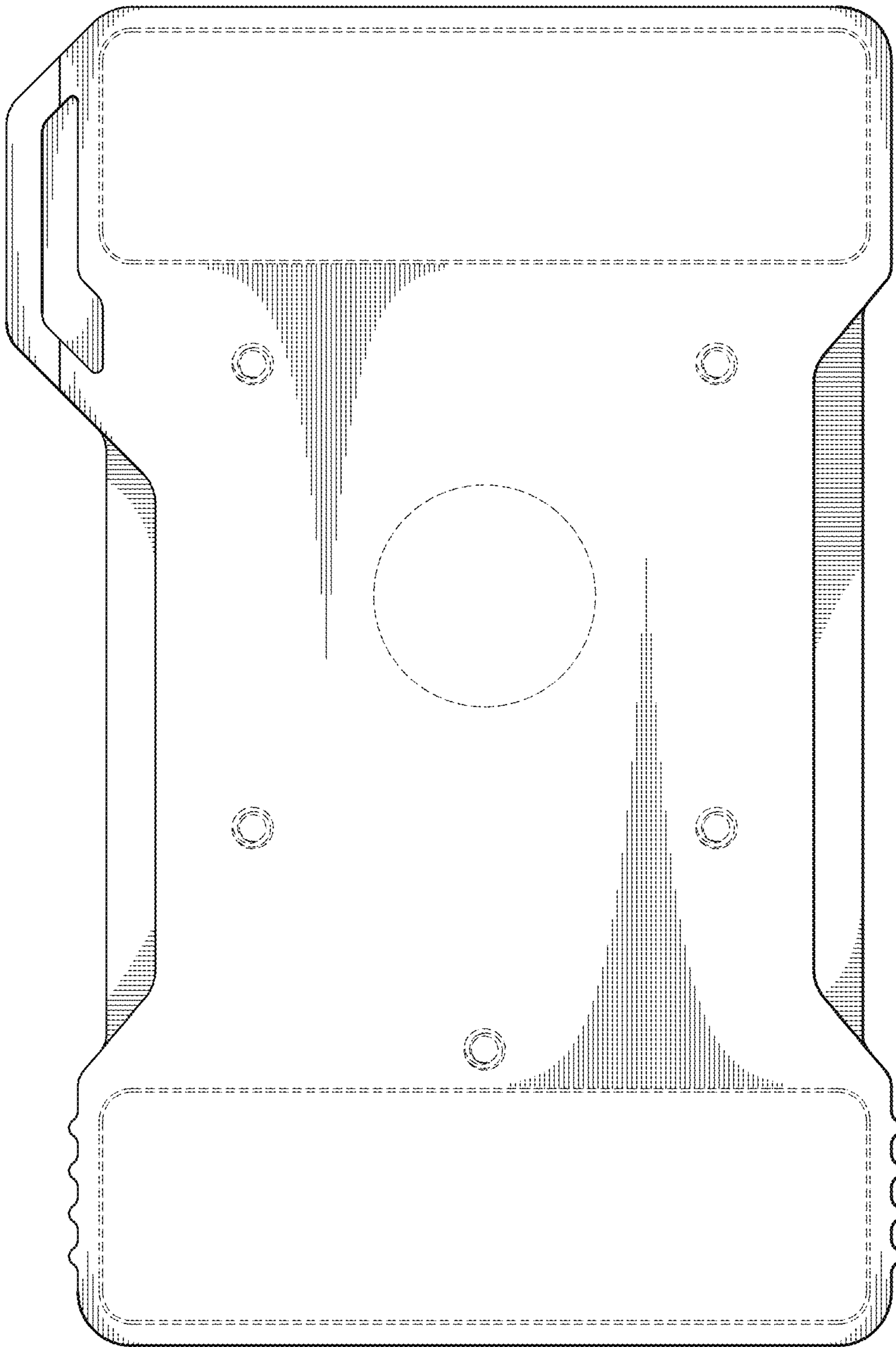


Fig. 5.



Fig. 6.

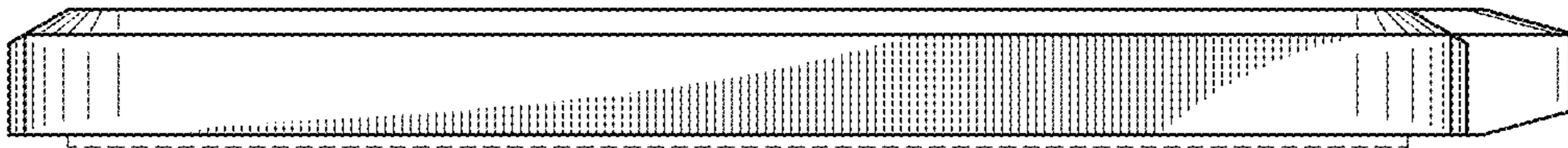


Fig. 7.

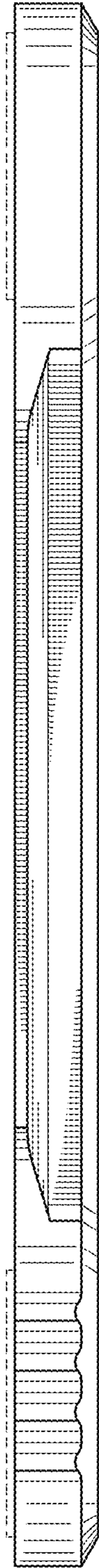


Fig. 8.

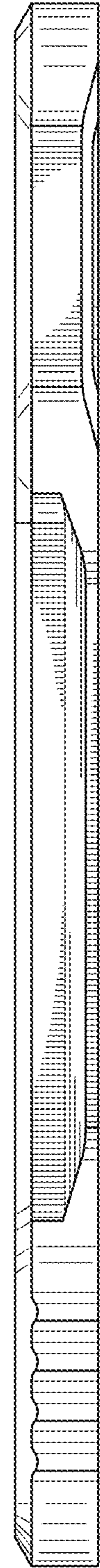


Fig. 9.