



US00D773785S

(12) **United States Design Patent** (10) **Patent No.:** **US D773,785 S**  
**Patulski** (45) **Date of Patent:** **\*\* Dec. 13, 2016**

(54) **ACCESSORY MOUNT**  
(71) Applicant: **TASER International, Inc.**, Scottsdale, AZ (US)  
(72) Inventor: **Nathan A. Patulski**, Scottsdale, AZ (US)  
(73) Assignee: **TASER International, Inc.**, Scottsdale, AZ (US)  
(\*\*) Term: **15 Years**  
(21) Appl. No.: **29/531,038**  
(22) Filed: **Jun. 23, 2015**  
(51) **LOC (10) Cl.** ..... **02-02**  
(52) **U.S. Cl.**  
USPC ..... **D2/853**  
(58) **Field of Classification Search**  
USPC D2/502, 609, 628, 633, 636, 639, 863, 864, D2/895, 976, 999; D5/63; D8/16, 19, 26, D8/37, 330, 350, 353, 354, 364, 366, D8/499; D11/86, 87, 132, 145, 155, 184, D11/210, 215, 218, 228, 236, 237, D11/238; D14/168, 203.5, 209, 224, D14/238, 511; D16/136, 200, 202, D16/203, 208, 219–220, 235, D16/237–245, 250; D29/101.3, 103, 129, D29/130; 2/244, 246, 249, 250, 312; 16/227, 232, 420, 427; D10/121; D13/152  
CPC ..... G02B 7/10; G02B 7/28; G03B 15/03; G03B 15/05; G03B 17/00; G03B 17/02; G03B 17/56; G03B 35/08; H04N 5/225; H04N 7/18; G06F 1/163  
See application file for complete search history.

(56) **References Cited**  
U.S. PATENT DOCUMENTS  
19,832 A \* 4/1858 Cox ..... A41D 27/20 2/249  
D28,533 S \* 5/1898 Schuyler ..... D11/218  
D179,659 S \* 2/1957 Cook ..... D8/353  
D214,590 S \* 7/1969 Gordon ..... D8/354  
D241,809 S \* 10/1976 Mellyn ..... D8/353  
D534,904 S \* 1/2007 Crawford ..... D14/238  
D536,237 S \* 2/2007 Smith ..... D8/353  
D582,465 S \* 12/2008 Nakajima ..... D16/202

D611,799 S \* 3/2010 Harris ..... D8/353  
D643,701 S \* 8/2011 Weber ..... D8/353  
D652,411 S \* 1/2012 Crawford ..... D14/238

(Continued)

**OTHER PUBLICATIONS**

“Carlsbad police to test body-worn cameras.” Feb. 29, 2016. Seaside Courier. [http://www.seasidecourier.com/news/carlsbad-police-to-test-body-worn-cameras/article\\_7183eea4-df29-11e5-9c17-1bf6e7eac084.html](http://www.seasidecourier.com/news/carlsbad-police-to-test-body-worn-cameras/article_7183eea4-df29-11e5-9c17-1bf6e7eac084.html).  
“Body Camera Accessories” Accessed: Mar. 21, 2016. Taser International. <https://www.taser.com/products/on-officer-video/accessories>.  
“Taser Axon Body 2 Camera User Manual” Accessed Mar. 21, 2016. Taser International. [https://prismic.io.s3.amazonaws.com/tasr%2F435edc07-dbf-4630-8379-5bd866562b62\\_axon-body-2-manual-mm0057.pdf](https://prismic.io.s3.amazonaws.com/tasr%2F435edc07-dbf-4630-8379-5bd866562b62_axon-body-2-manual-mm0057.pdf).

*Primary Examiner* — Manpreet Matharu  
*Assistant Examiner* — Suzanne Tisdell  
(74) *Attorney, Agent, or Firm* — Lawrence Letham

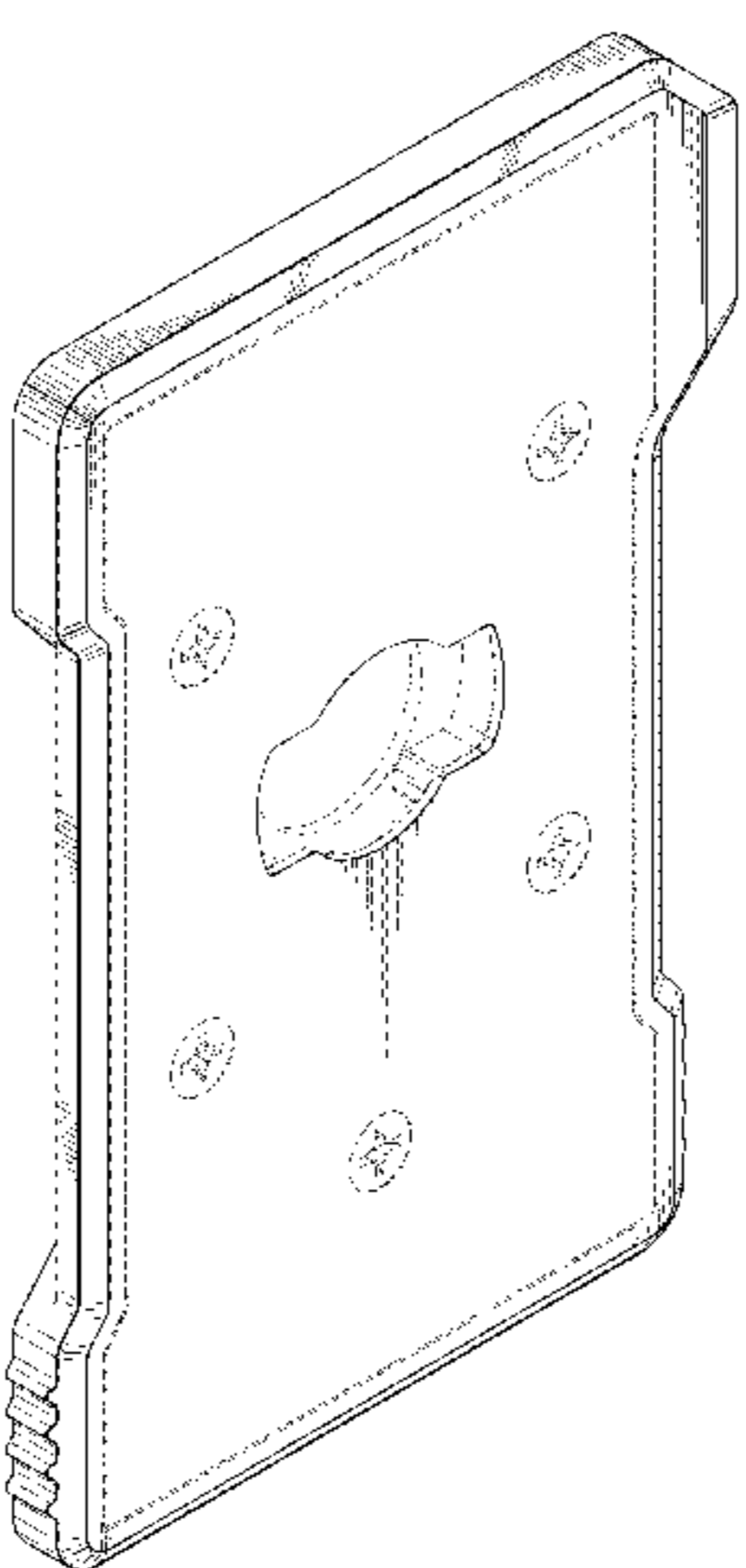
(57) **CLAIM**

The ornamental design for an accessory mount, as shown and described.

**DESCRIPTION**

FIG. 1 is left front isometric view of an accessory mount according to my new design;  
FIG. 2 is a left rear isometric view of the accessory mount shown in FIG. 1;  
FIG. 3 is a right rear isometric view of the accessory mount shown in FIG. 1;  
FIG. 4 is a front view of the accessory mount shown in FIG. 1;  
FIG. 5 is a rear view of the accessory mount shown in FIG. 1;  
FIG. 6 is a top view of the accessory mount shown in FIG. 1;  
FIG. 7 is a bottom view of the accessory mount shown in FIG. 1;  
FIG. 8 is a left side view of the accessory mount shown in FIG. 1; and,  
FIG. 9 is a right side view of the accessory mount shown in FIG. 1.  
The broken lines show portions of the accessory mount that form no part of the claimed design.

**1 Claim, 7 Drawing Sheets**



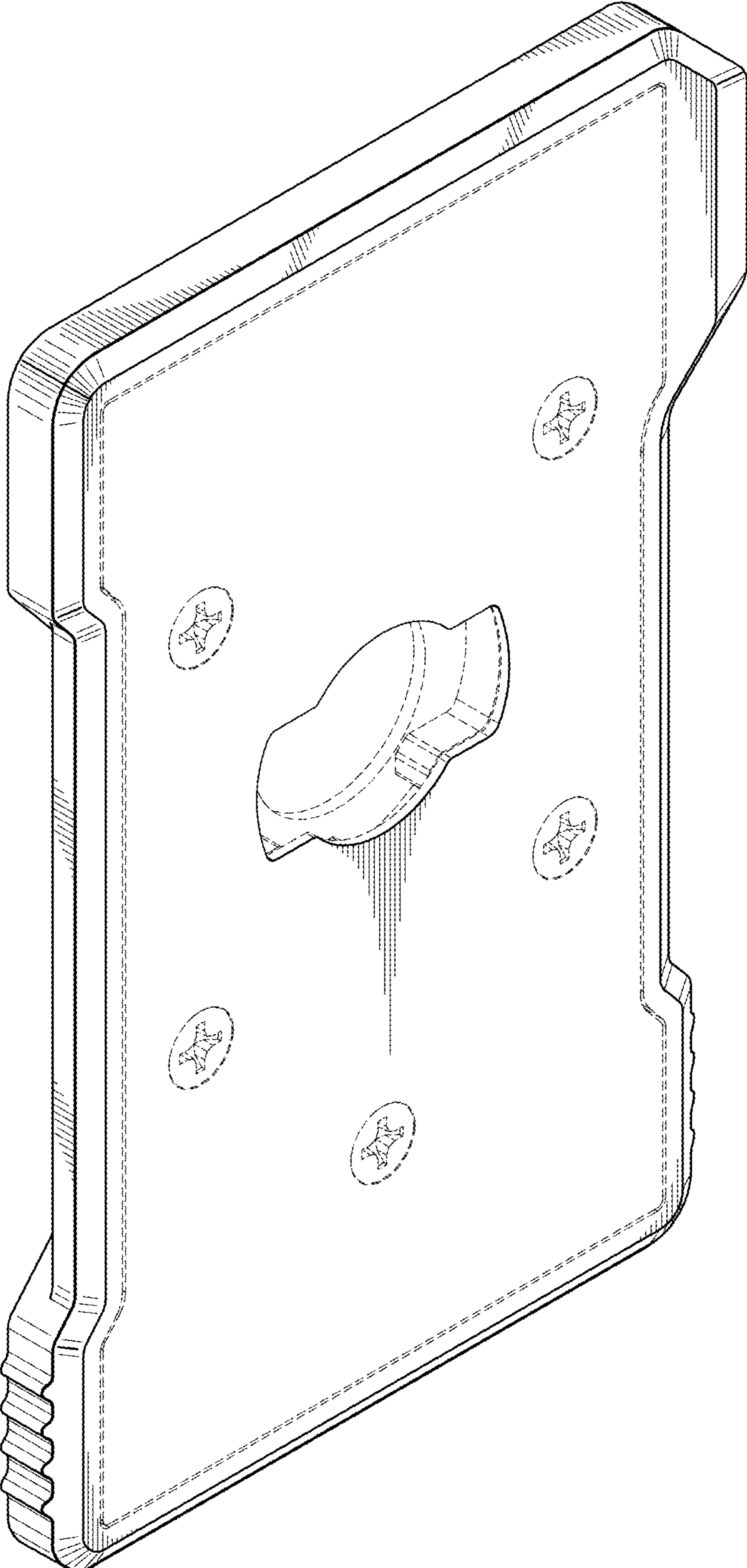
(56)

**References Cited**

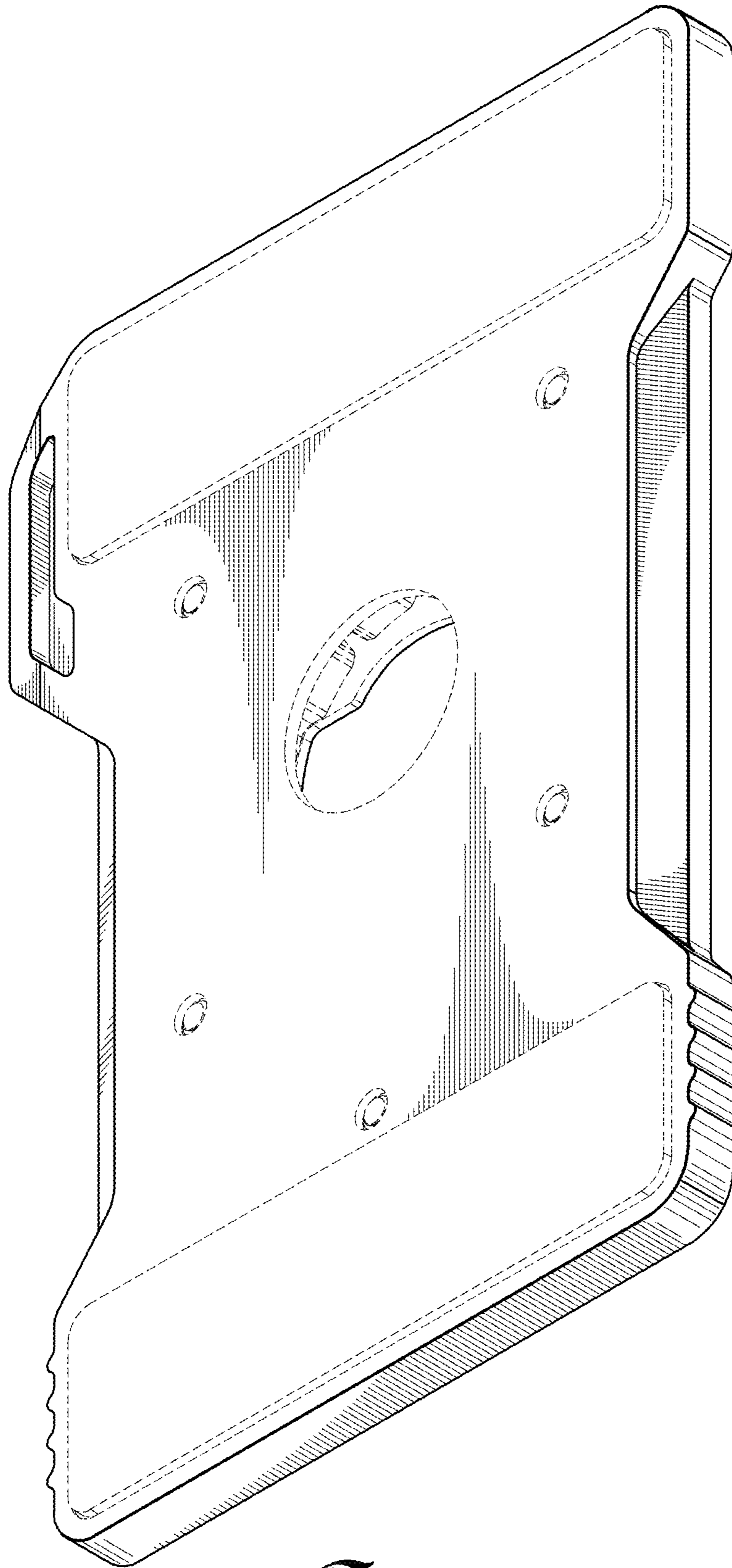
U.S. PATENT DOCUMENTS

D654,064	S *	2/2012	Sergi .....	D14/238
D658,040	S *	4/2012	Ghatikar .....	D8/354
D662,960	S *	7/2012	Krieter .....	D16/203
D732,375	S *	6/2015	Questel .....	D8/353
D737,362	S *	8/2015	Chang .....	D16/237
D737,363	S *	8/2015	Russell .....	D16/208
2013/0256484	A1 *	10/2013	Kessler .....	G03B 17/561 248/224.7
2014/0028243	A1 *	1/2014	Rayner .....	G06F 1/163 320/103
2014/0165757	A1 *	6/2014	Lutz .....	G03B 17/561 74/412 R
2015/0236447	A1 *	8/2015	Nakajima .....	G03B 17/56 403/322.4
2016/0021341	A1 *	1/2016	Lee .....	G03B 15/05 348/143

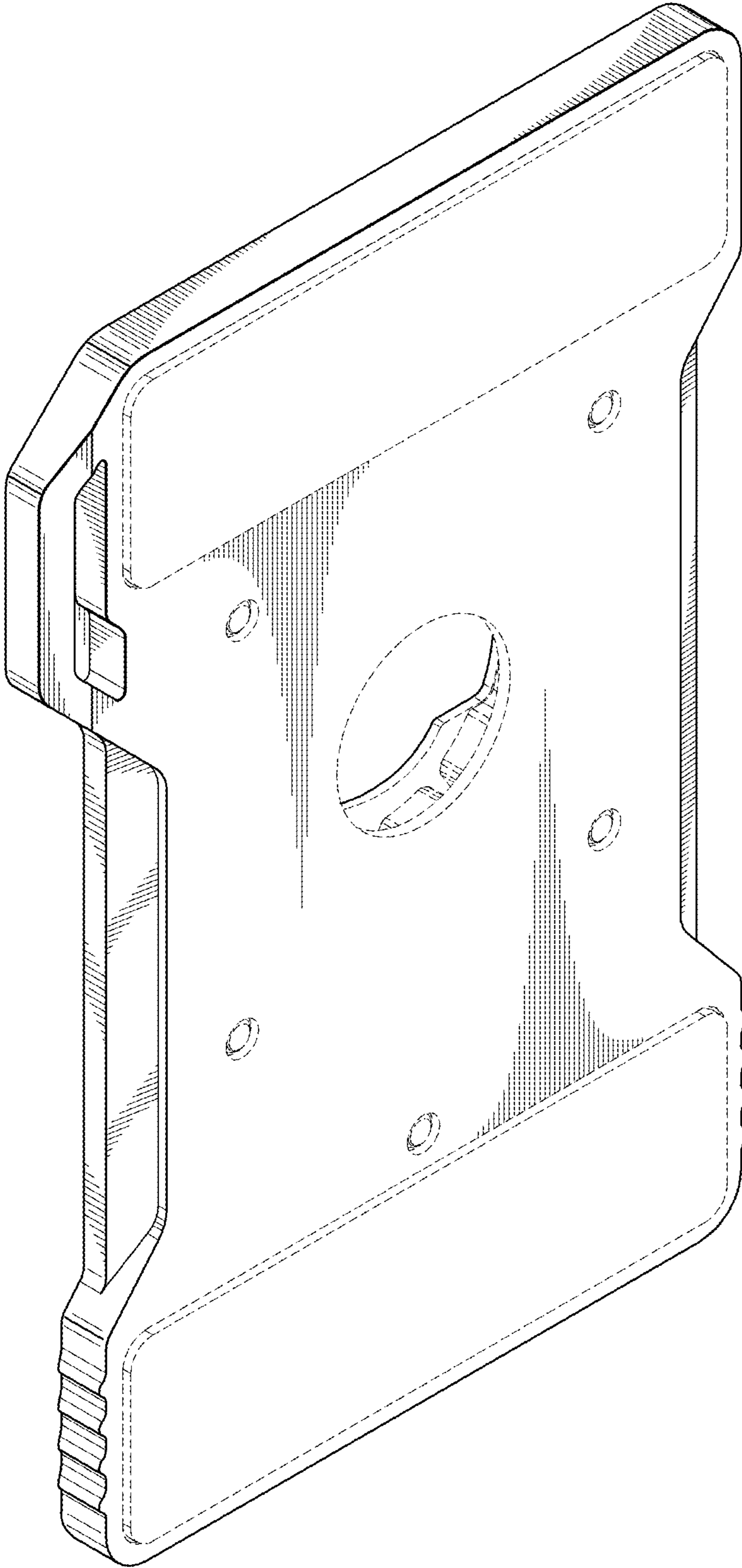
\* cited by examiner



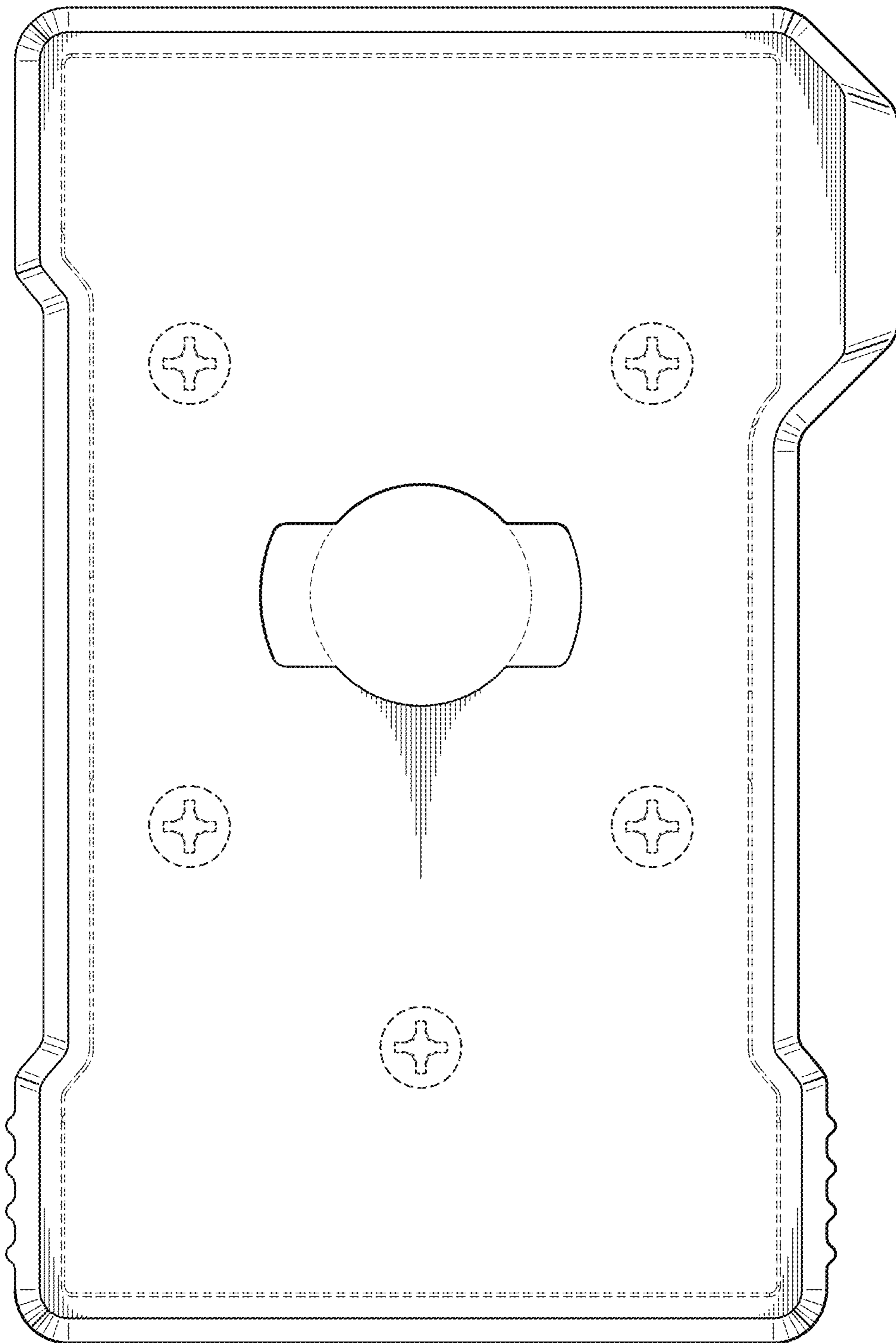
*Fig. 1.*



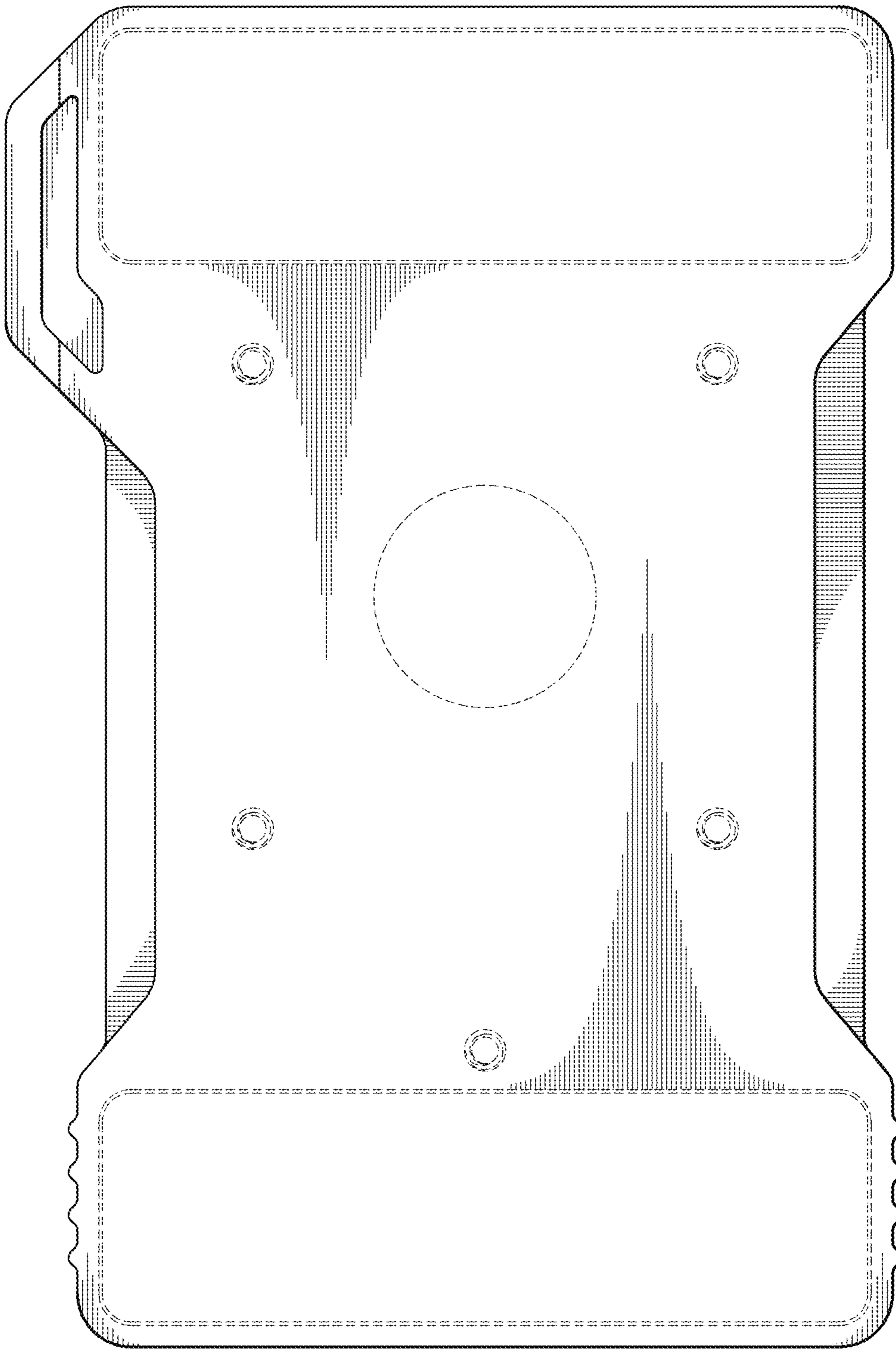
*Fig. 2.*



*Fig. 3.*



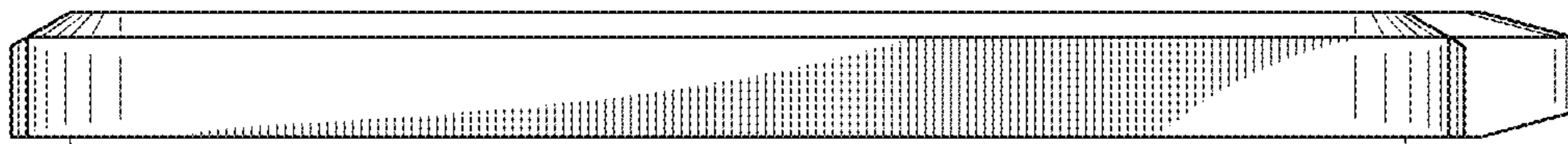
*Fig. 4.*



*Fig. 5.*

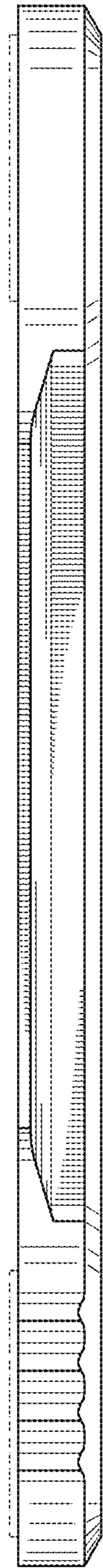


*Fig. 6.*

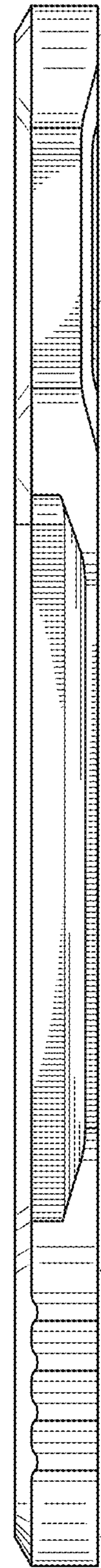


*Fig. 7.*





*Fig. 8.*



*Fig. 9.*