



US00D773778S

(12) **United States Design Patent** (10) **Patent No.:** **US D773,778 S**  
**Darby** (45) **Date of Patent:** **\*\* \*Dec. 13, 2016**

(54) **WAIST BAND**

(71) Applicant: **NIKE, Inc.**, Beaverton, OR (US)

(72) Inventor: **Christian Darby**, Beaverton, OR (US)

(73) Assignee: **NIKE, Inc.**, Beaverton, OR (US)

(\*) Notice: This patent is subject to a terminal disclaimer.

(\*\*) Term: **14 Years**

(21) Appl. No.: **29/525,659**

(22) Filed: **Apr. 30, 2015**

(51) **LOC (10) Cl.** ..... **02-02**

(52) **U.S. Cl.**  
USPC ..... **D2/742**

(58) **Field of Classification Search**  
USPC ..... D2/712-713, 731-732, 737-738,  
D2/742-745, 747, 749, 854, 861-864;  
2/22-24, 62, 80-83, 401, 227, 229-230,  
2/234-238, 247, 919  
CPC A63B 71/1225; A41D 13/012; A41D 13/065;  
A41D 13/0017; A41D 1/06; A41D 1/08;  
A41D 1/086; A41D 7/00; F41H 1/02  
See application file for complete search history.

(56) **References Cited**

**U.S. PATENT DOCUMENTS**

D70,627 S	7/1926	Schaffer	
D92,026 S	4/1934	Sachs	
D92,027 S	4/1934	Sachs	
D92,028 S	4/1934	Sachs	
4,555,245 A *	11/1985	Armbruster	..... A61F 5/4401 2/403
D291,005 S	7/1987	Berlese	

(Continued)

**OTHER PUBLICATIONS**

Alibaba [online]. Retrieved on Mar. 9, 2016 from URL:<http://zhengyong.en.alibaba.com/productshowimg/1380900348->

212683863/2013\_Ladies\_fashion\_perforated\_elastic\_waist\_belt.html.\*

(Continued)

*Primary Examiner* — Manpreet Matharu

*Assistant Examiner* — Keith Wilson

(74) *Attorney, Agent, or Firm* — Banner & Witcoff, Ltd.

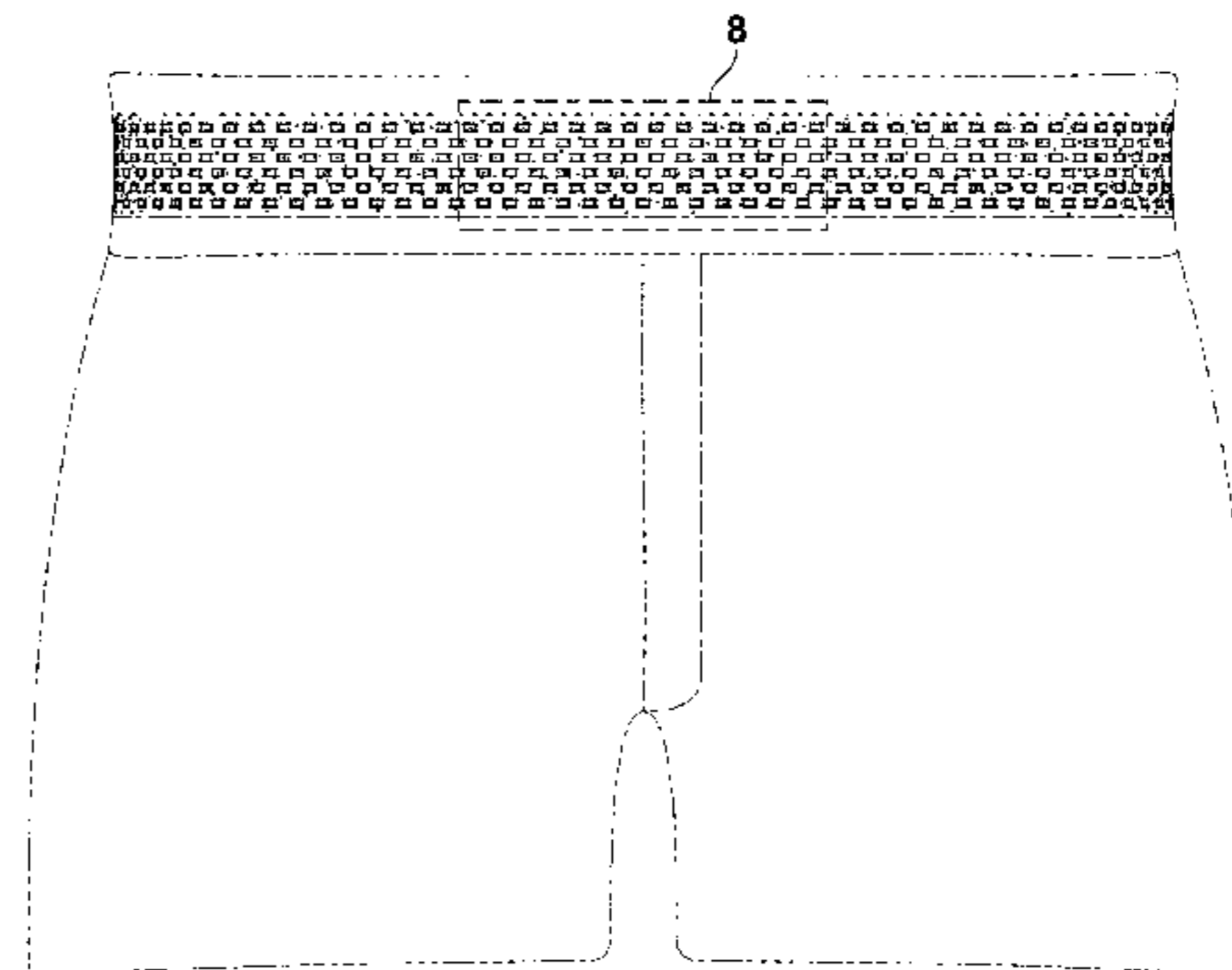
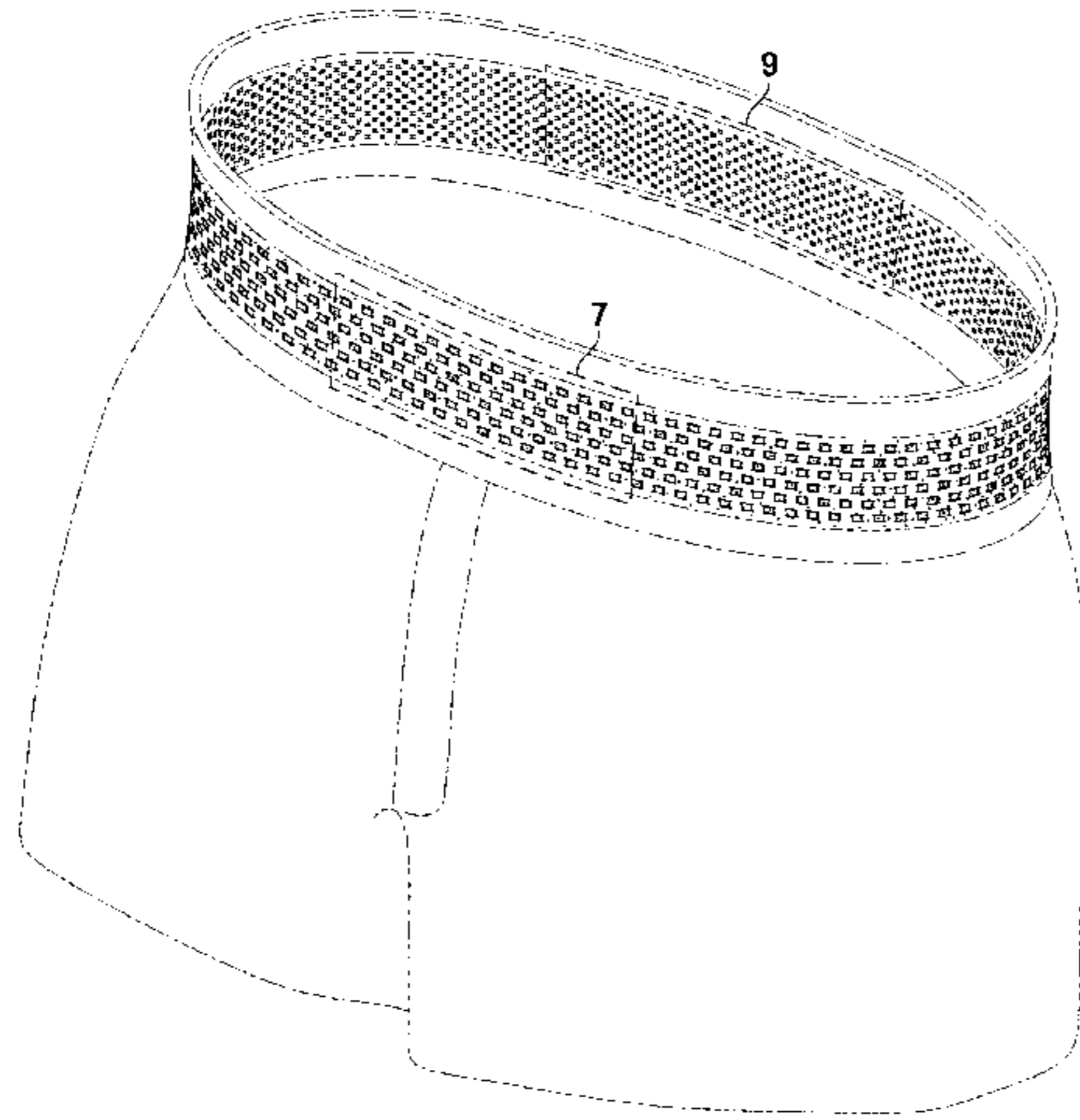
(57) **CLAIM**

The ornamental design for a waist band, as shown and described.

**DESCRIPTION**

FIG. 1 is a perspective view of a waist band showing my new design, shown in the environment of shorts;  
FIG. 2 is a rear perspective view thereof;  
FIG. 3 is a front view thereof;  
FIG. 4 is a rear view thereof;  
FIG. 5 is a side view thereof;  
FIG. 6 is a second side view thereof;  
FIG. 7 is an enlarged view of the segment of the callout region of FIG. 1 designated by callout region 7 shown in isolation from the remainder of the environment thereof;  
FIG. 8 is an enlarged view of the segment of the callout region of FIG. 3 designated by callout region 8 shown in isolation from the remainder of the environment thereof;  
and,  
FIG. 9 is an enlarged view of the segment of the callout region of FIG. 1 designated by callout region 9 shown in isolation from the remainder of the environment thereof.  
The broken lines immediately adjacent to the shaded area represent unclaimed boundaries of the design. The broken lines showing the remainder of the waist band and the unshaded areas are for environmental purposes only and form no part of the claimed design. The broken lines showing thickness shown in the FIG. 7 and FIG. 9 are for environmental purposes only and form no part of the claimed design.

**1 Claim, 8 Drawing Sheets**



(56)

References Cited

U.S. PATENT DOCUMENTS

4,894,869 A \* 1/1990 Boll ..... A41D 13/1254  
2/400  
5,016,291 A \* 5/1991 Capper ..... A41F 9/002  
2/221  
D340,345 S 10/1993 Russell  
D359,158 S 6/1995 Miramontes  
5,867,836 A \* 2/1999 Quinones ..... A41F 9/02  
2/221  
D409,357 S 5/1999 Hirata  
D476,464 S 7/2003 Jenkins  
D480,536 S 10/2003 Codere  
7,043,771 B1 \* 5/2006 Alessi ..... A41B 9/02  
2/403  
D544,677 S 6/2007 Wuolu, Jr.  
D578,742 S 10/2008 Cho  
D592,836 S 5/2009 Cho  
D630,413 S 1/2011 Calabria  
D683,521 S 6/2013 Garcia  
D710,570 S 8/2014 Ziehl  
D747,844 S \* 1/2016 Dawson ..... D2/712  
2004/0122344 A1 \* 6/2004 Nelson ..... A63B 71/1216  
602/61  
2005/0081275 A1 \* 4/2005 Galvao ..... A41D 15/005  
2/67  
2005/0235399 A1 \* 10/2005 Kang ..... A41B 9/023  
2/403  
2006/0021116 A1 \* 2/2006 Protting ..... A41F 9/02  
2/404  
2008/0178369 A1 \* 7/2008 Kitsch ..... A41B 9/023  
2/405  
2009/0055998 A1 \* 3/2009 Blumenfeld ..... A41B 9/14  
2/403  
2010/0058517 A1 \* 3/2010 Perolari ..... A41B 9/02  
2/404  
2012/0311758 A1 \* 12/2012 Nicholson ..... A41D 27/20  
2/67  
2013/0042389 A1 \* 2/2013 Bowman ..... A41D 1/06  
2/237  
2013/0219591 A1 \* 8/2013 Gu ..... A41B 9/002  
2/405

2013/0276210 A1 \* 10/2013 Clarke ..... A41D 1/08  
2/220  
2013/0305433 A1 \* 11/2013 Hedrick ..... A41D 1/22  
2/220  
2014/0182044 A1 \* 7/2014 Cole ..... A41D 27/20  
2/69  
2014/0196194 A1 \* 7/2014 Clarke ..... A41D 1/14  
2/237  
2014/0196196 A1 \* 7/2014 Lee ..... A41B 9/14  
2/400

OTHER PUBLICATIONS

Etsy [online]. Retrieved on Mar. 9, 2016 from URL: <https://www.etsy.com/listing/202575984/5yds-fuschia-perforated-elastic?ref=market>.  
Etsy [online]. Retrieved on Mar. 9, 2016 from URL: <https://www.etsy.com/listing/105328490/new-stock-3-unique-square-perforated>.  
Nike Apparel Catalog, Fall 2010, p. 2, published date unknown, but prior to the filing date of the present application, NIKE Inc., USA.  
Nike Apparel Catalog, Fall 2010 Kids, p. 3, published date unknown, but prior to the filing date of the present application, NIKE, Inc., USA.  
Nike Apparel Catalog, Fall 2010, p. 4, published date unknown, but prior to the filing date of the present application, NIKE, Inc., USA.  
Nike Apparel Catalog, Fall 2010, p. 3, published date unknown, but prior to the filing date of the present application, NIKE Inc., USA.  
Nike Apparel Catalog, Fall 2010 Kids, p. 5, published date unknown, but prior to the filing date of the present application, NIKE, Inc., USA.  
Nike Apparel Catalog, Fall 2010, p. 5, published date unknown, but prior to the filing date of the present application, NIKE, Inc., USA.  
Nike Apparel Catalog, Fall 2010, p. 6, published date unknown, but prior to the filing date of the present application, NIKE, Inc., USA.  
Nike Apparel Catalog, Fall 2010 Kids, p. 18, published date unknown, but prior to the filing date of the present application, NIKE, Inc., USA.  
Nike Apparel Catalog, Spring 2011 Men's Apparel: Performance, p. 7, published date unknown, but prior to the filing date of the present application, NIKE, Inc., USA.

\* cited by examiner

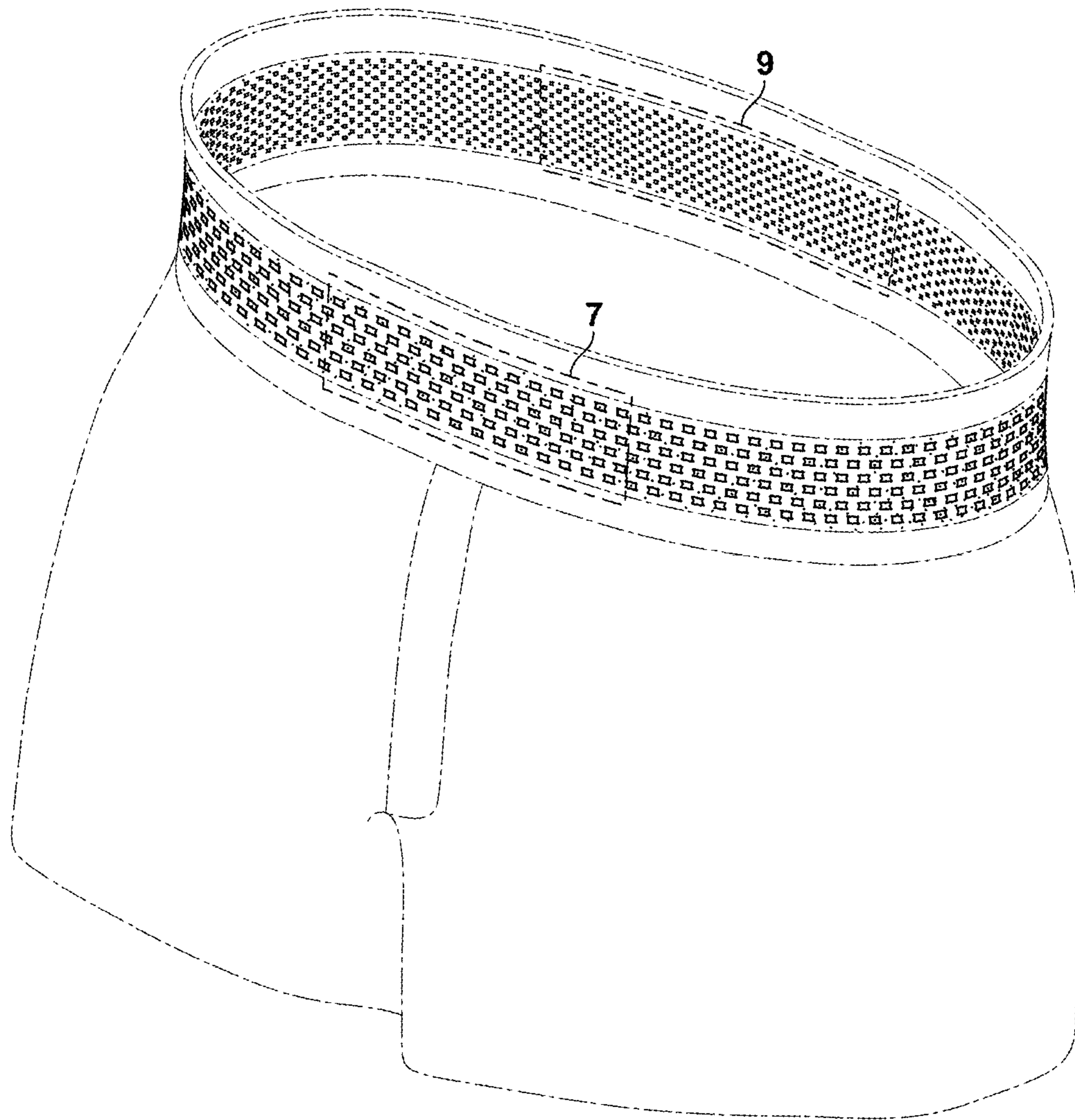


FIG. 1



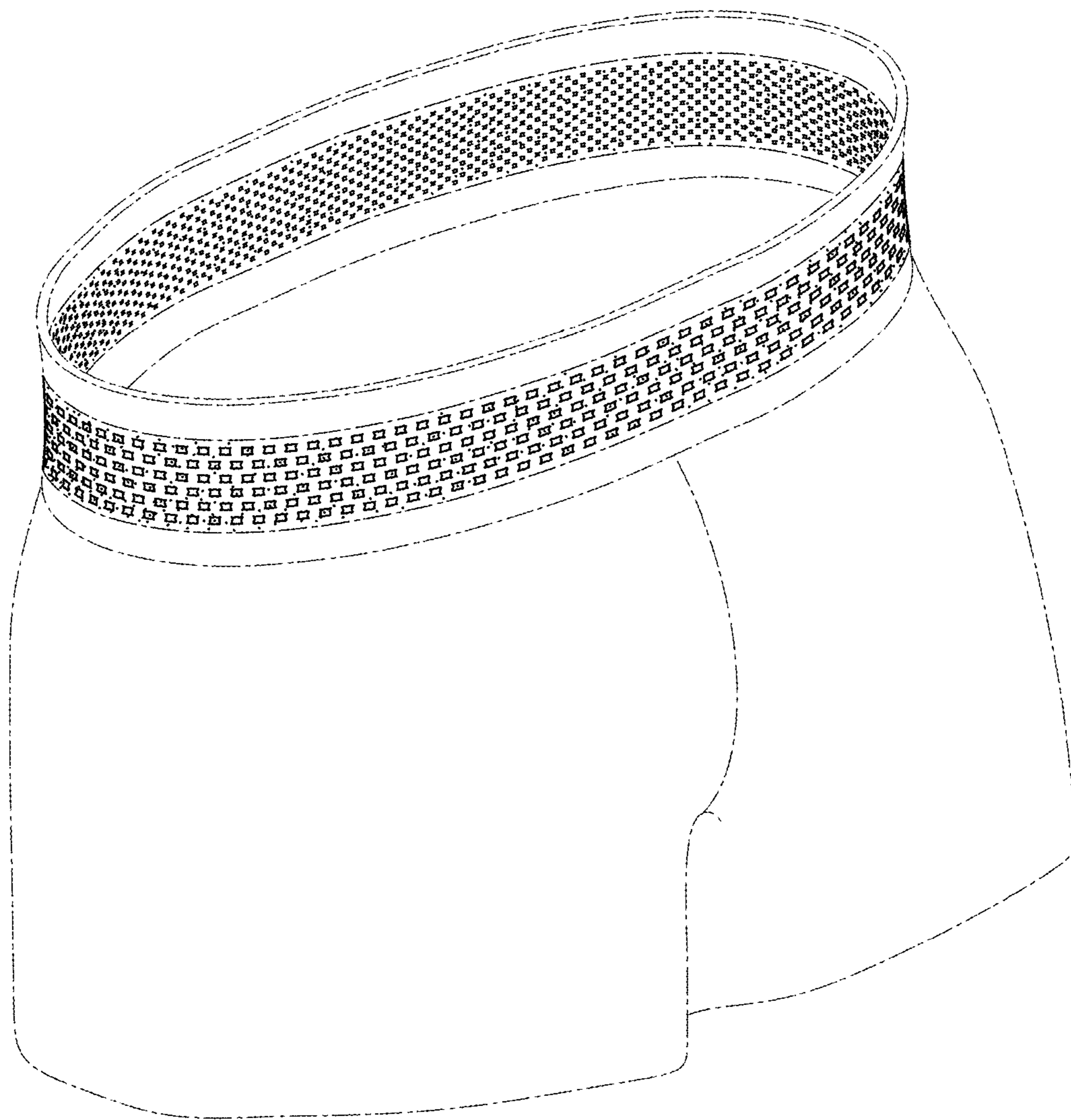


FIG. 2

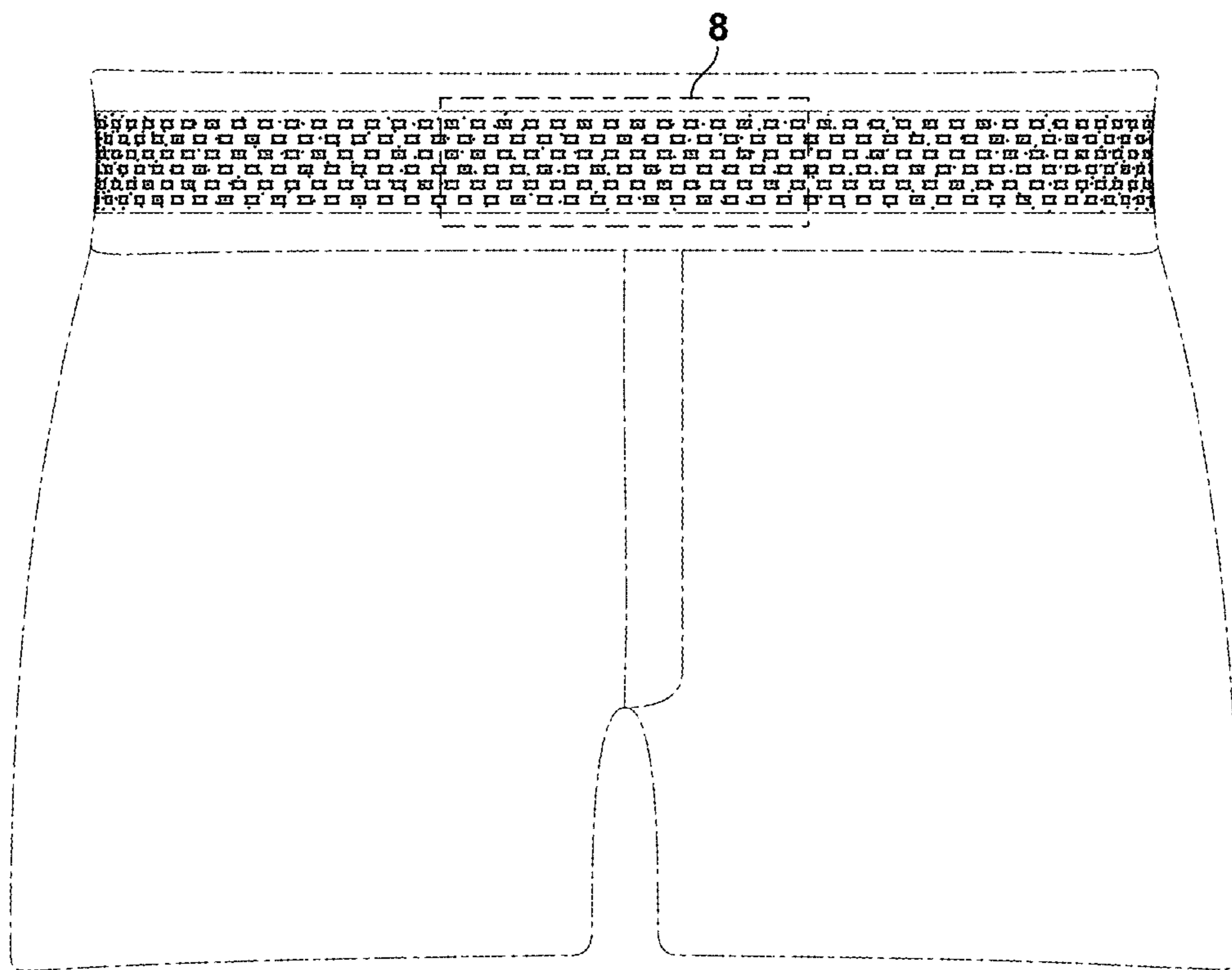


FIG. 3

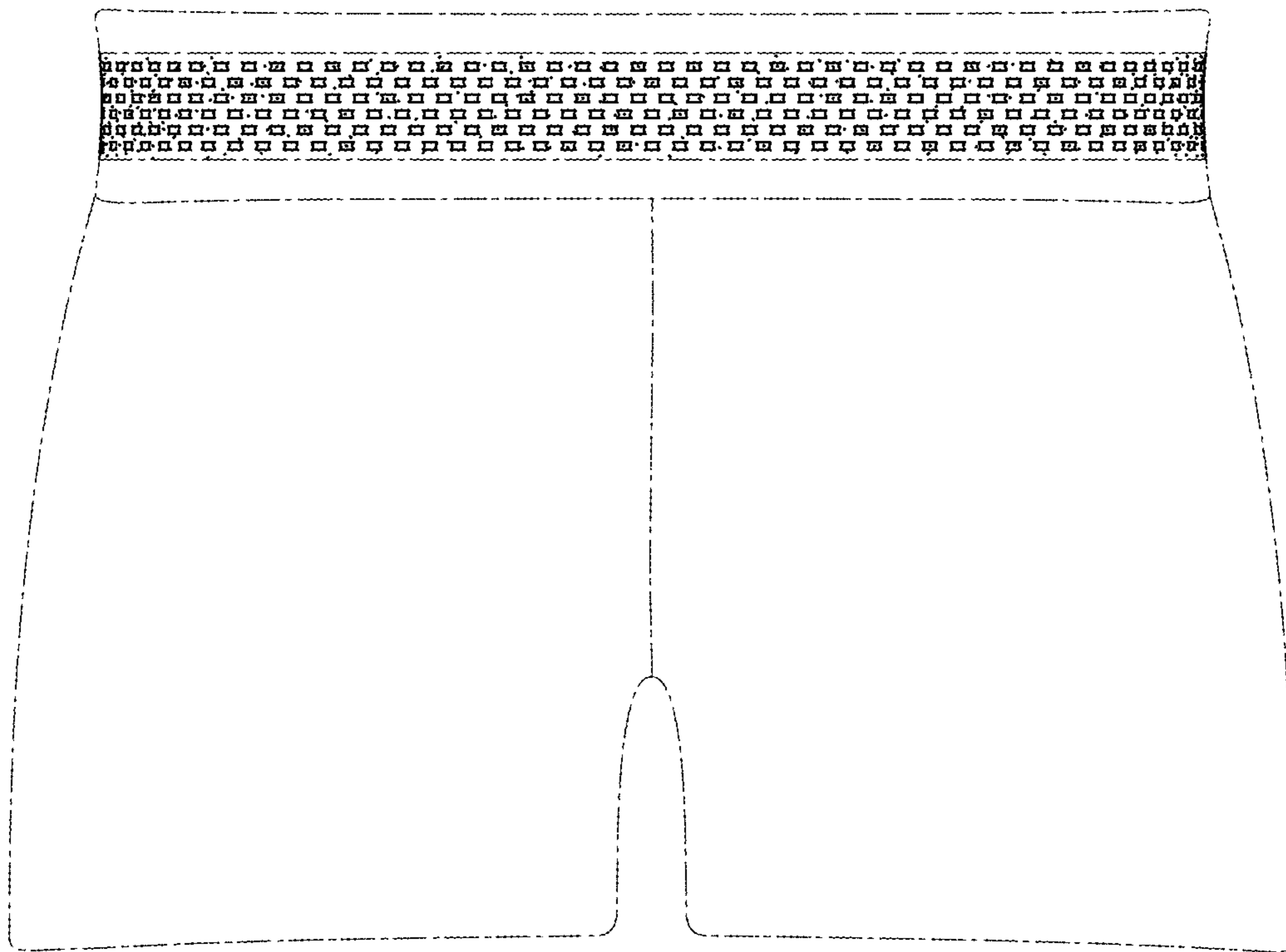


FIG. 4

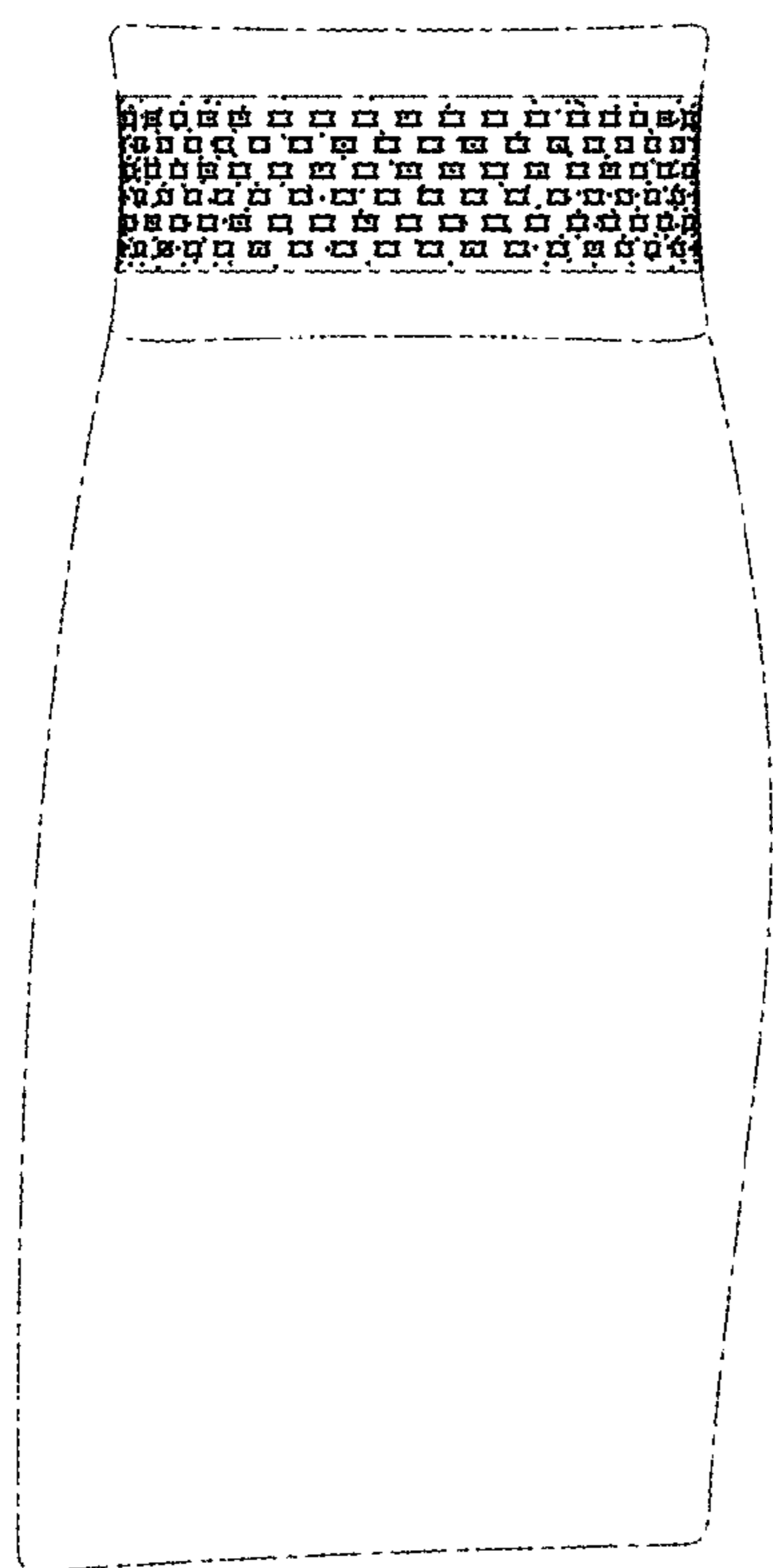


FIG. 5



FIG. 6

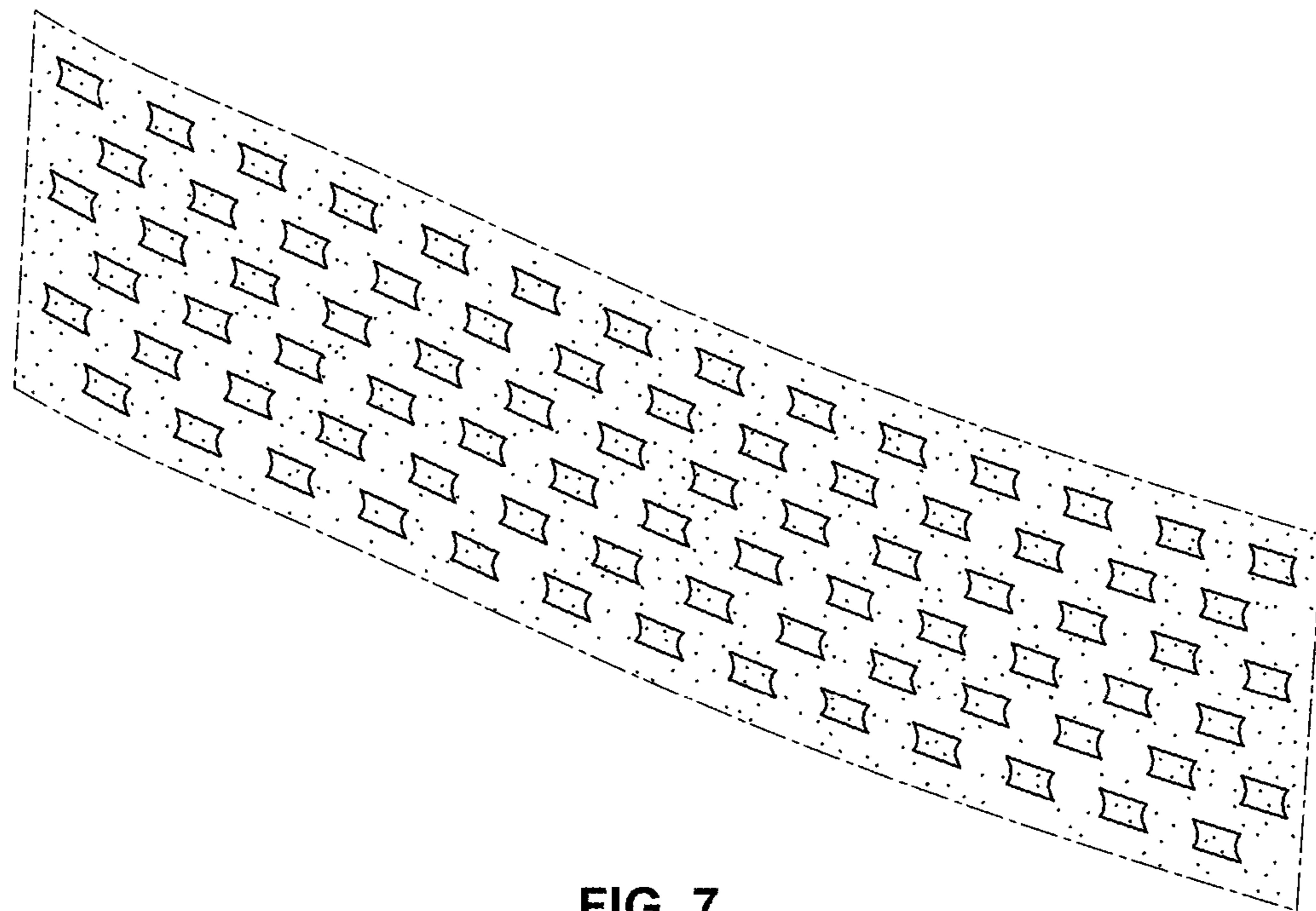


FIG. 7



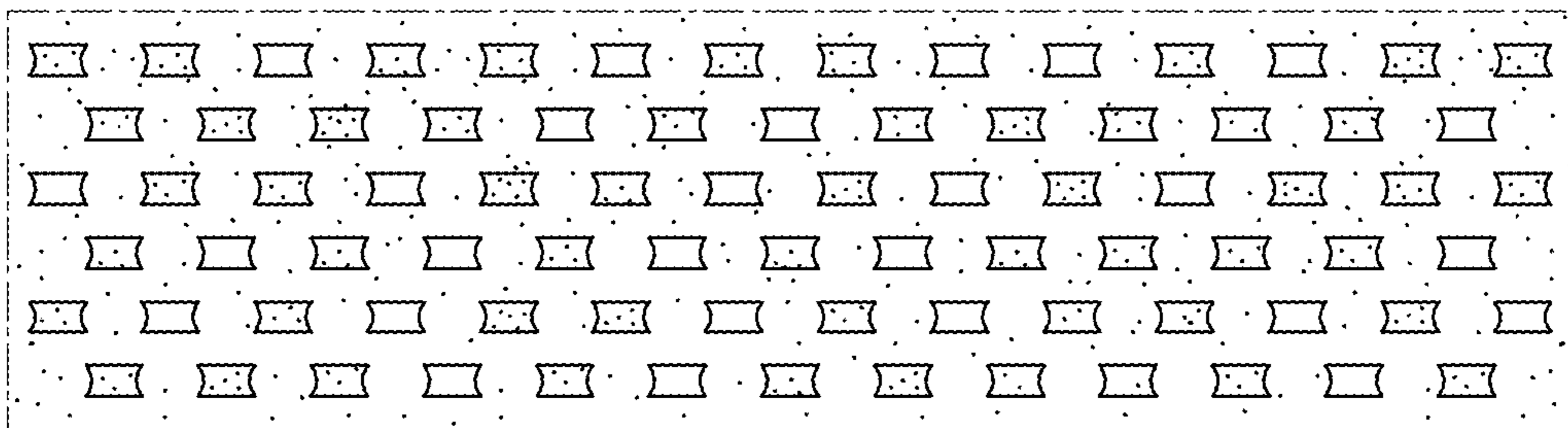


FIG. 8

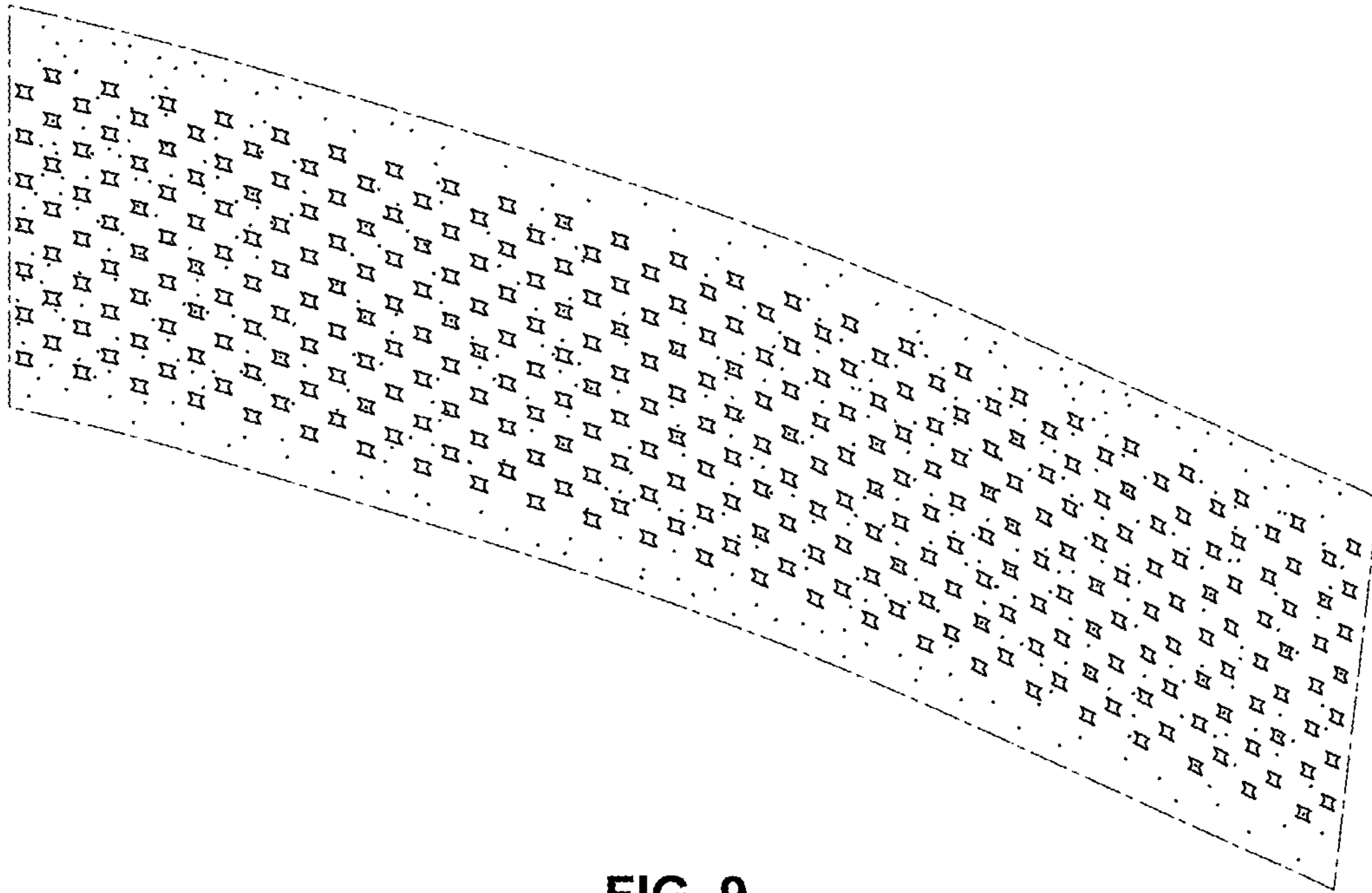


FIG. 9