



US00D773769S

(12) **United States Design Patent** (10) **Patent No.:** **US D773,769 S**
Chen (45) **Date of Patent:** **** Dec. 6, 2016**

(54) **TRASH CAN**
(71) Applicant: **EKO Development Limited,**
Guangzhou (CN)

(72) Inventor: **Yizhi Chen,** Guangzhou (CN)

(73) Assignee: **EKO Development Limited,**
Guangzhou (CN)

(**) Term: **14 Years**

(21) Appl. No.: **29/502,005**

(22) Filed: **Sep. 10, 2014**

(30) **Foreign Application Priority Data**

Jun. 19, 2014 (CN) 2014 3 0191168
(51) **LOC (10) Cl.** **09-09**
(52) **U.S. Cl.**
USPC **D34/9**
(58) **Field of Classification Search**
USPC D34/1-11; 220/908-913, 262-264, 404,
220/334, 335, 336, 337
CPC .. B65F 1/163; B65F 2250/114; B65F 2230/00
See application file for complete search history.

(56) **References Cited**

U.S. PATENT DOCUMENTS

D322,350 S * 12/1991 Craft, Jr. D34/7
D490,583 S * 5/2004 Yang D34/9
D517,767 S * 3/2006 Yang D34/9
D535,800 S * 1/2007 Yang D34/9
D552,321 S * 10/2007 Yang D34/9
D552,823 S * 10/2007 Yang D34/7

D580,615 S * 11/2008 Yang D34/9
D631,221 S * 1/2011 Yang D34/9
8,418,869 B2 * 4/2013 Yang B65F 1/06
220/264
D730,008 S * 5/2015 Yang D34/9

* cited by examiner

Primary Examiner — Cynthia Ramirez

Assistant Examiner — Gino Colan

(74) *Attorney, Agent, or Firm* — William Dippert;
Laurence Greenberg; Werner Stemer

(57) **CLAIM**

The ornamental design for a trash can, as shown and described.

DESCRIPTION

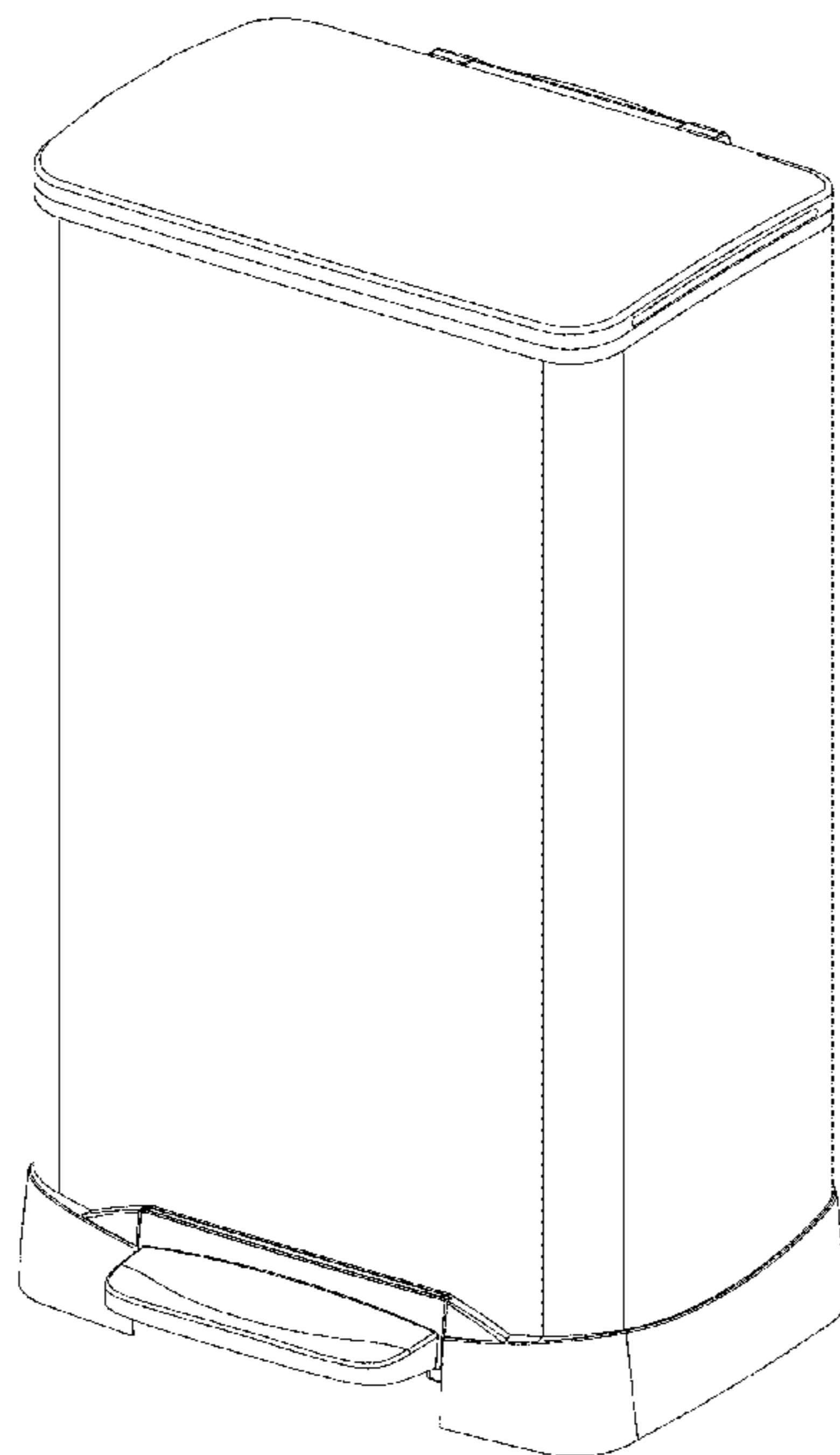
FIG. 1 is a perspective view of a trash can showing my new design;
FIG. 2 is a front elevational view thereof;
FIG. 3 is a rear elevational view thereof;
FIG. 4 is a left elevational view thereof;
FIG. 5 is a right elevational view thereof;
FIG. 6 is a top plan view thereof; and,
FIG. 7 is a bottom plan view thereof.

The area under the pedal in FIG. 2 shown in broken lines is for illustrative purposes only and does not form a part of the claimed design.

The arrows shown in FIG. 3 shown in broken lines are for illustrative purposes only and do not form a part of the claimed design.

The elements in FIG. 7 shown in broken lines are for illustrative purposes only and do not form a part of the claimed design.

1 Claim, 7 Drawing Sheets



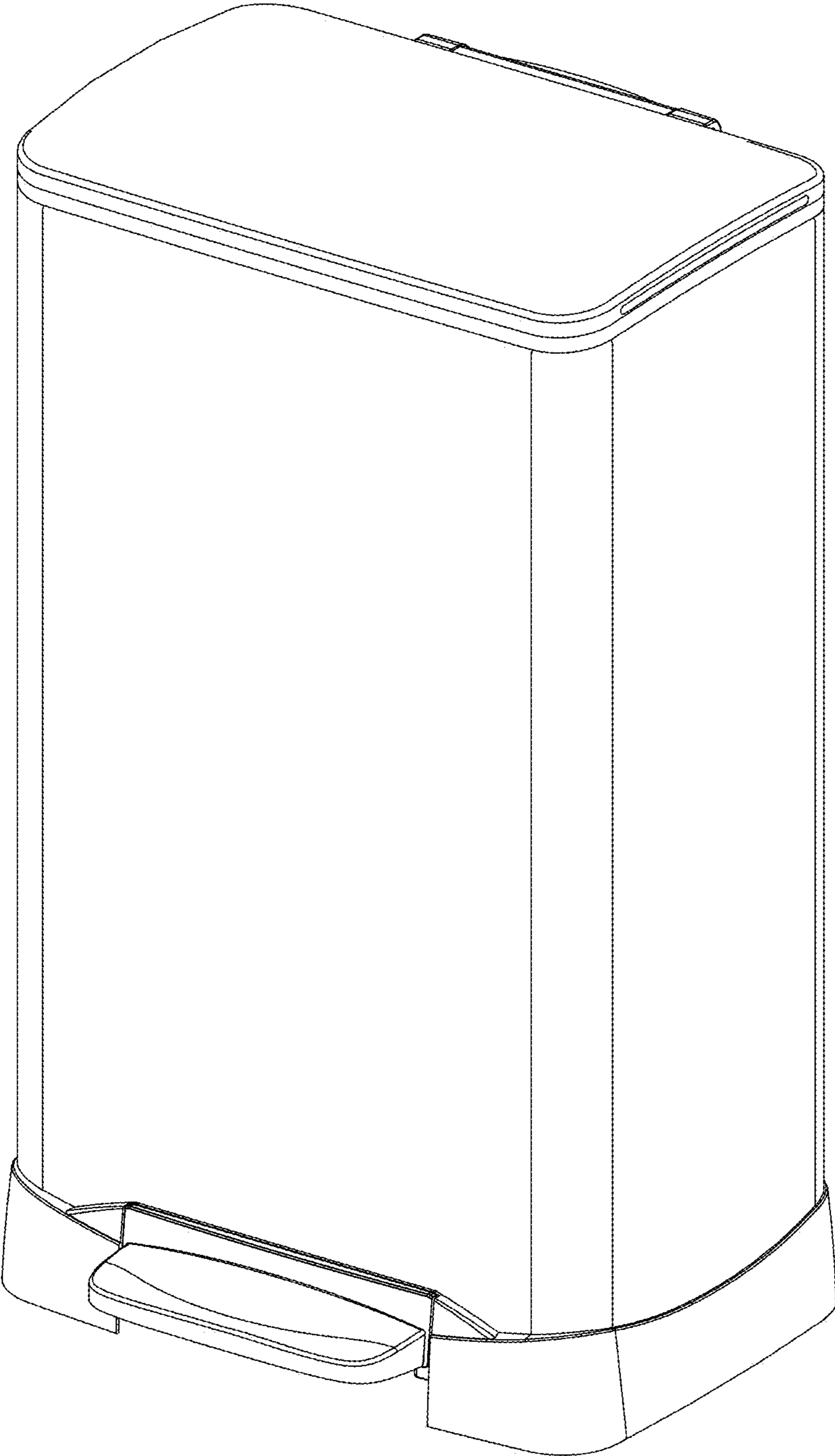


FIG. 1

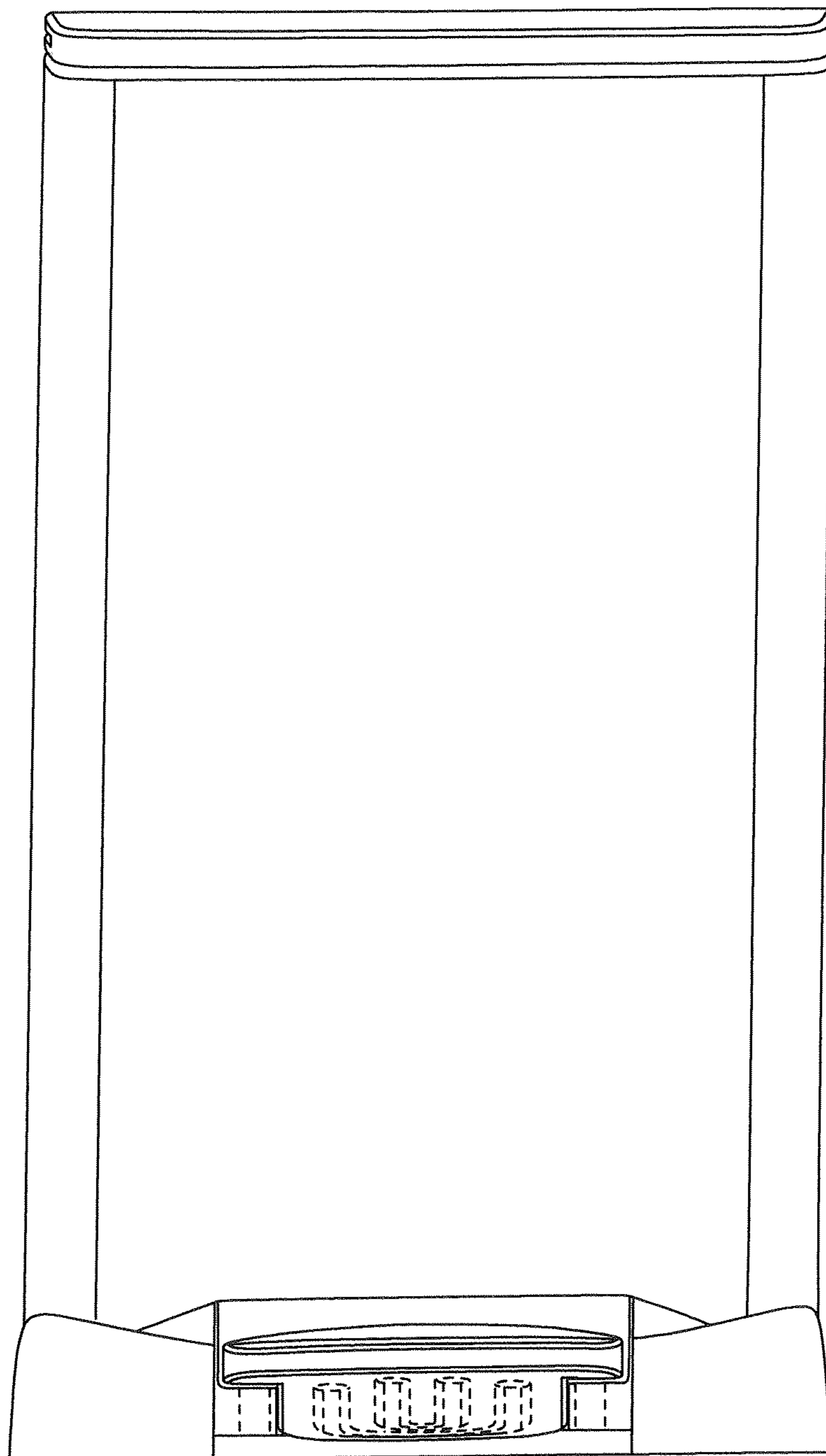


FIG. 2

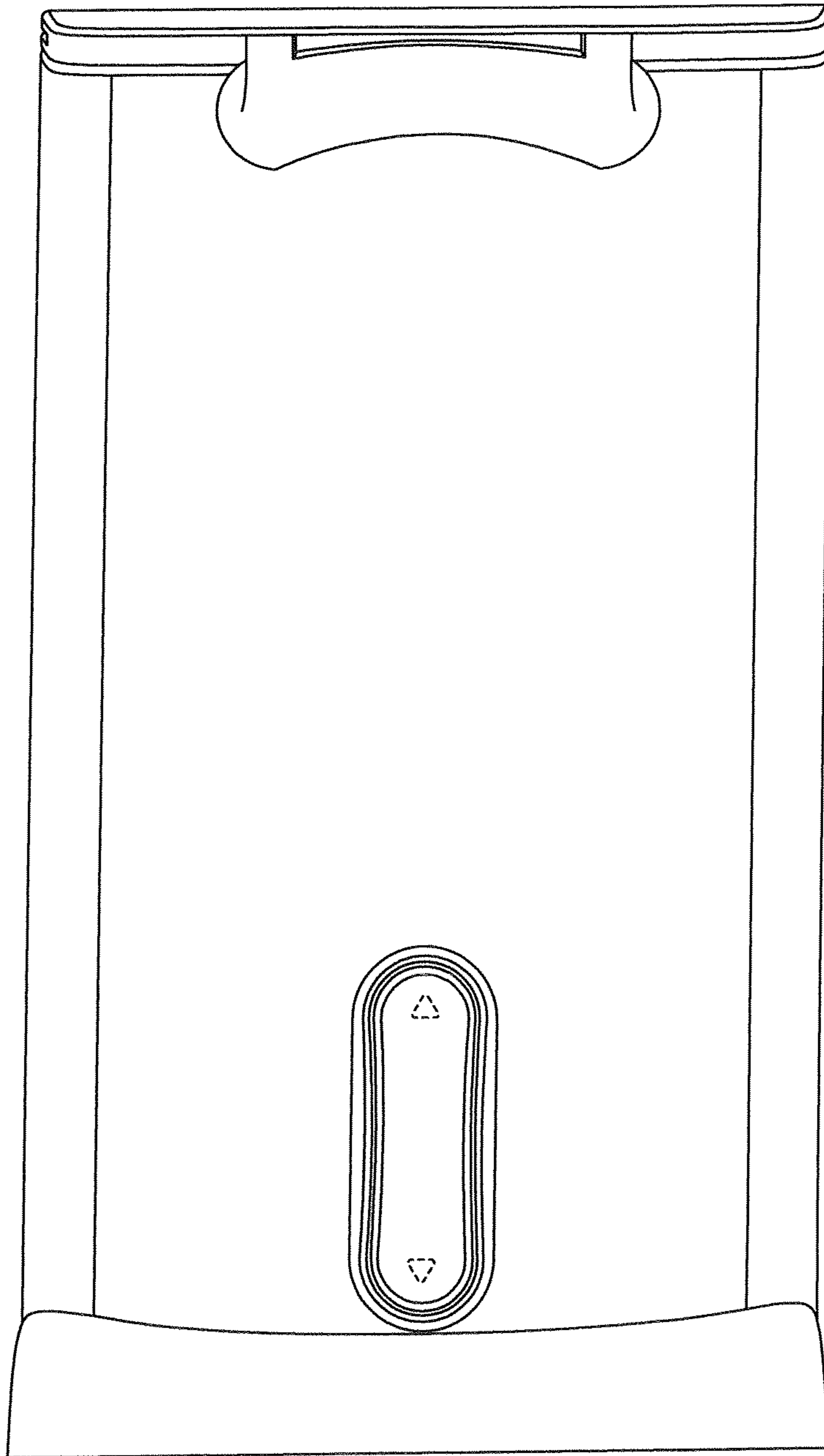


FIG. 3

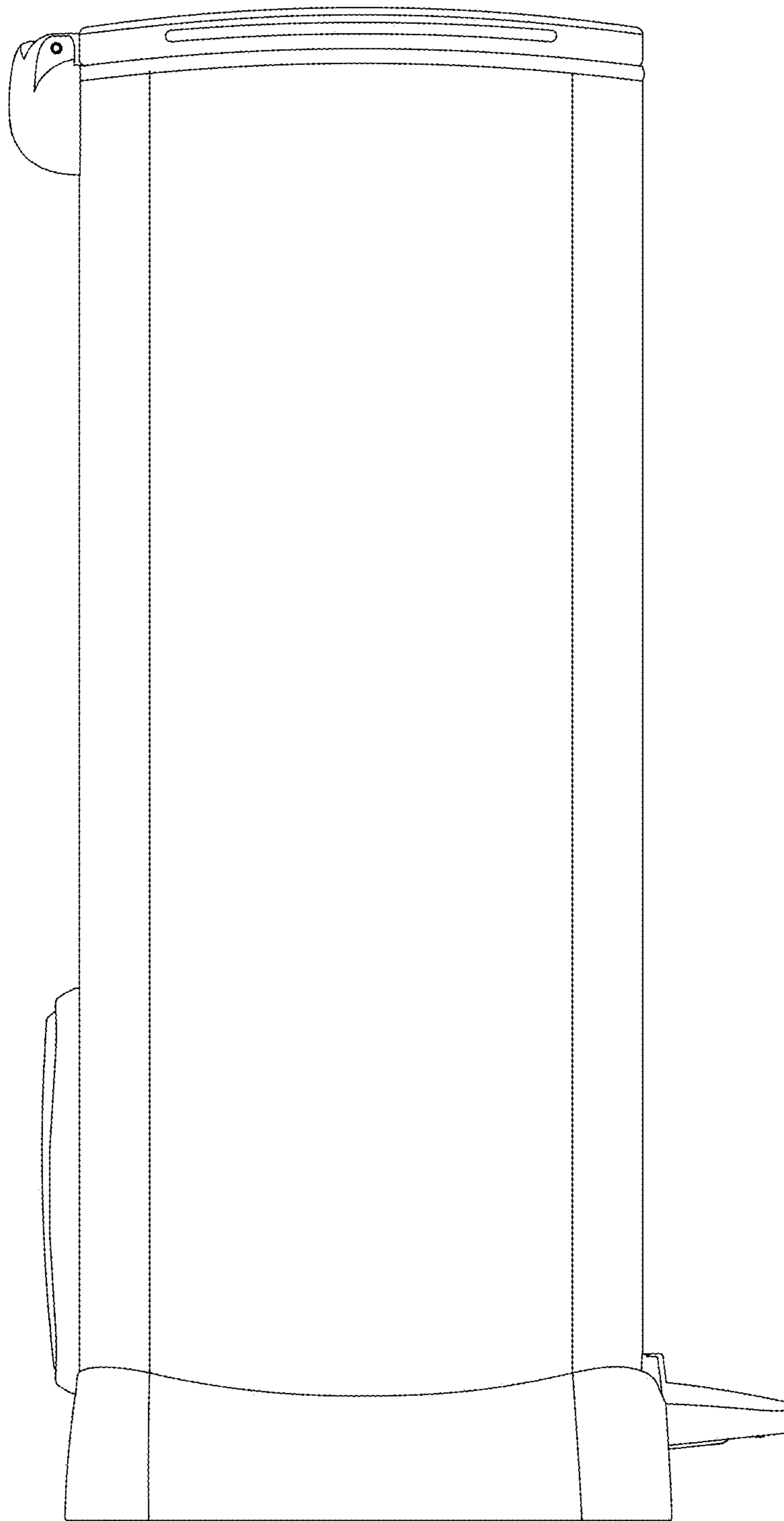


FIG. 4

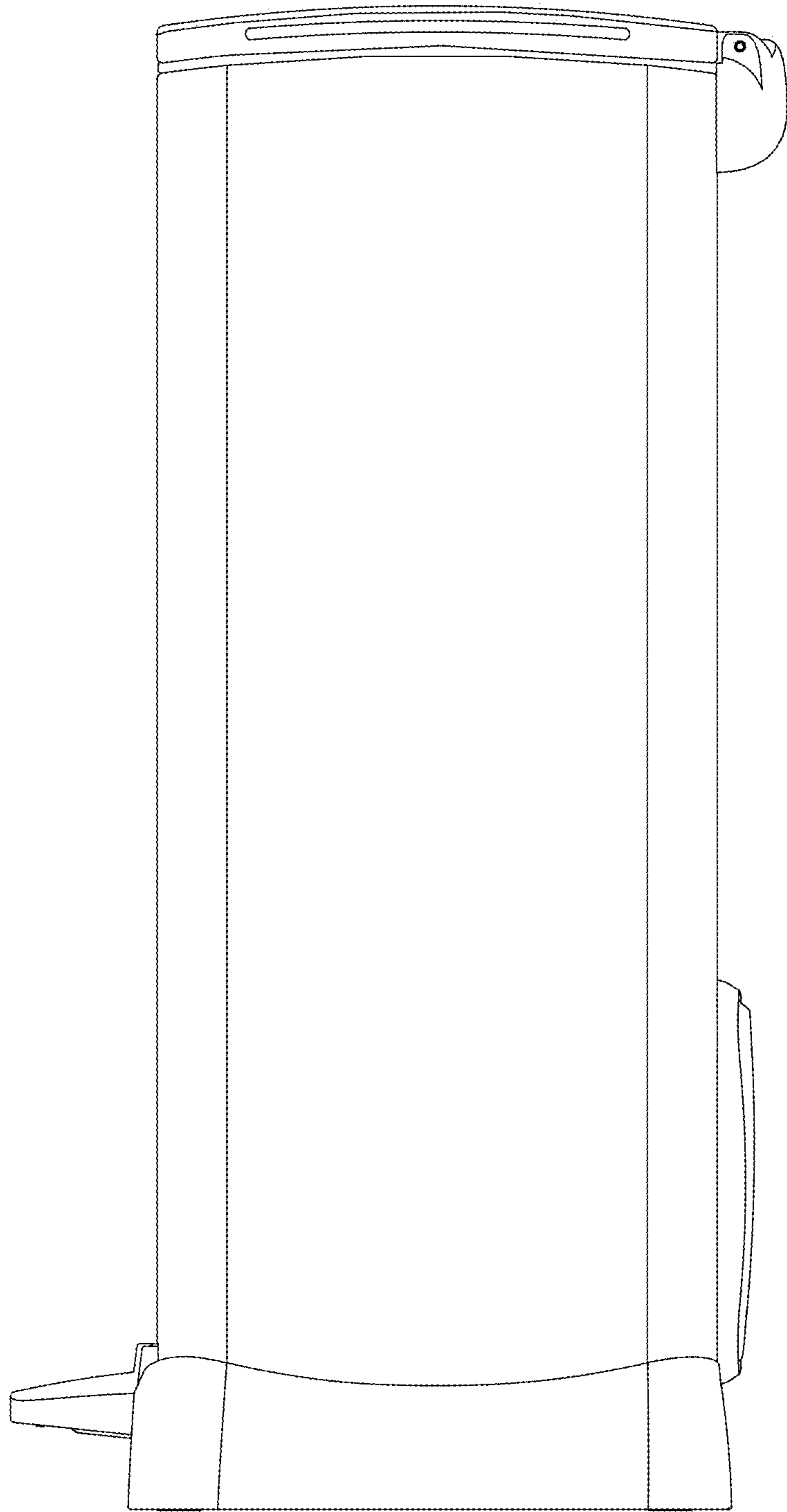


FIG. 5

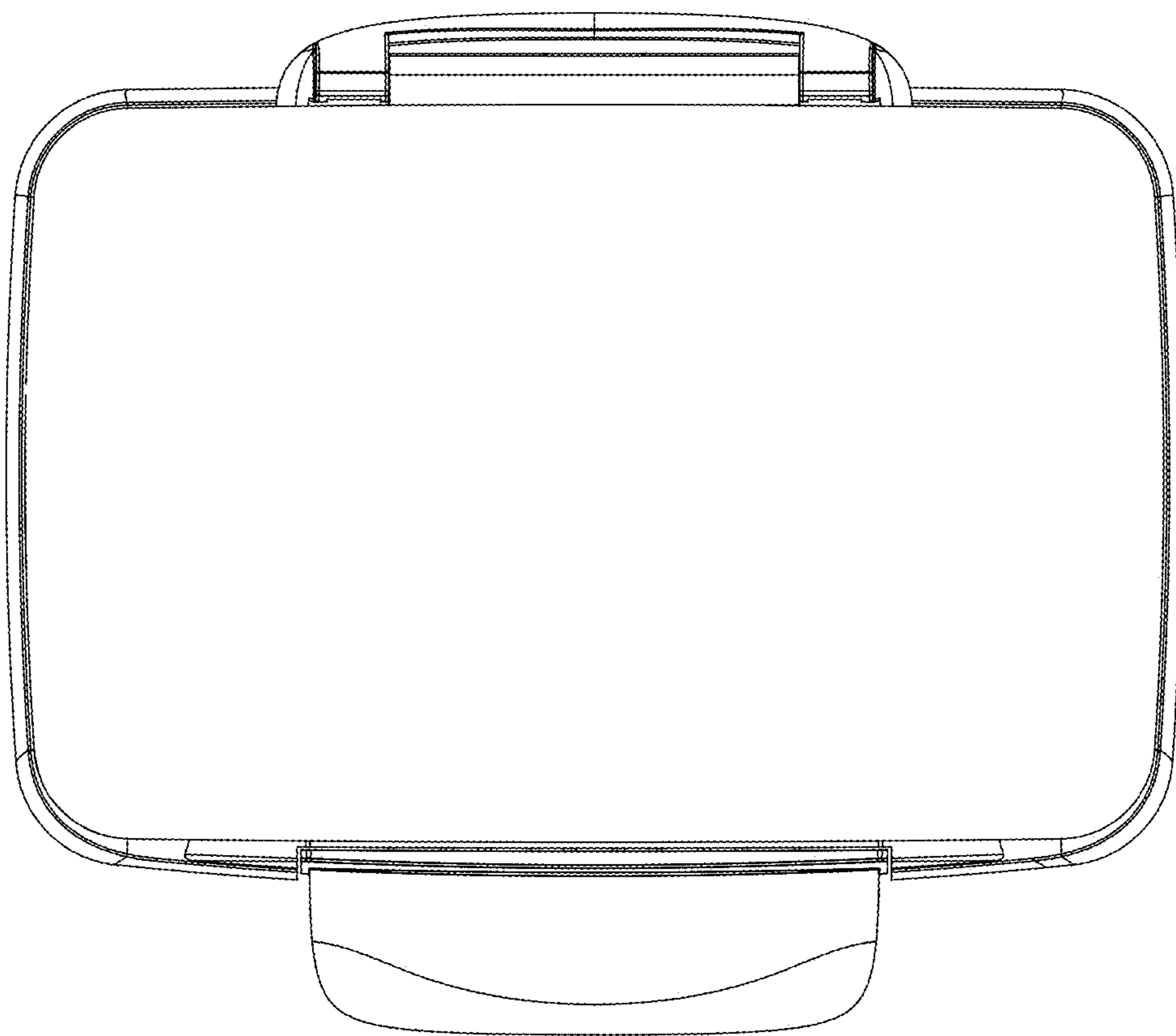


FIG. 6

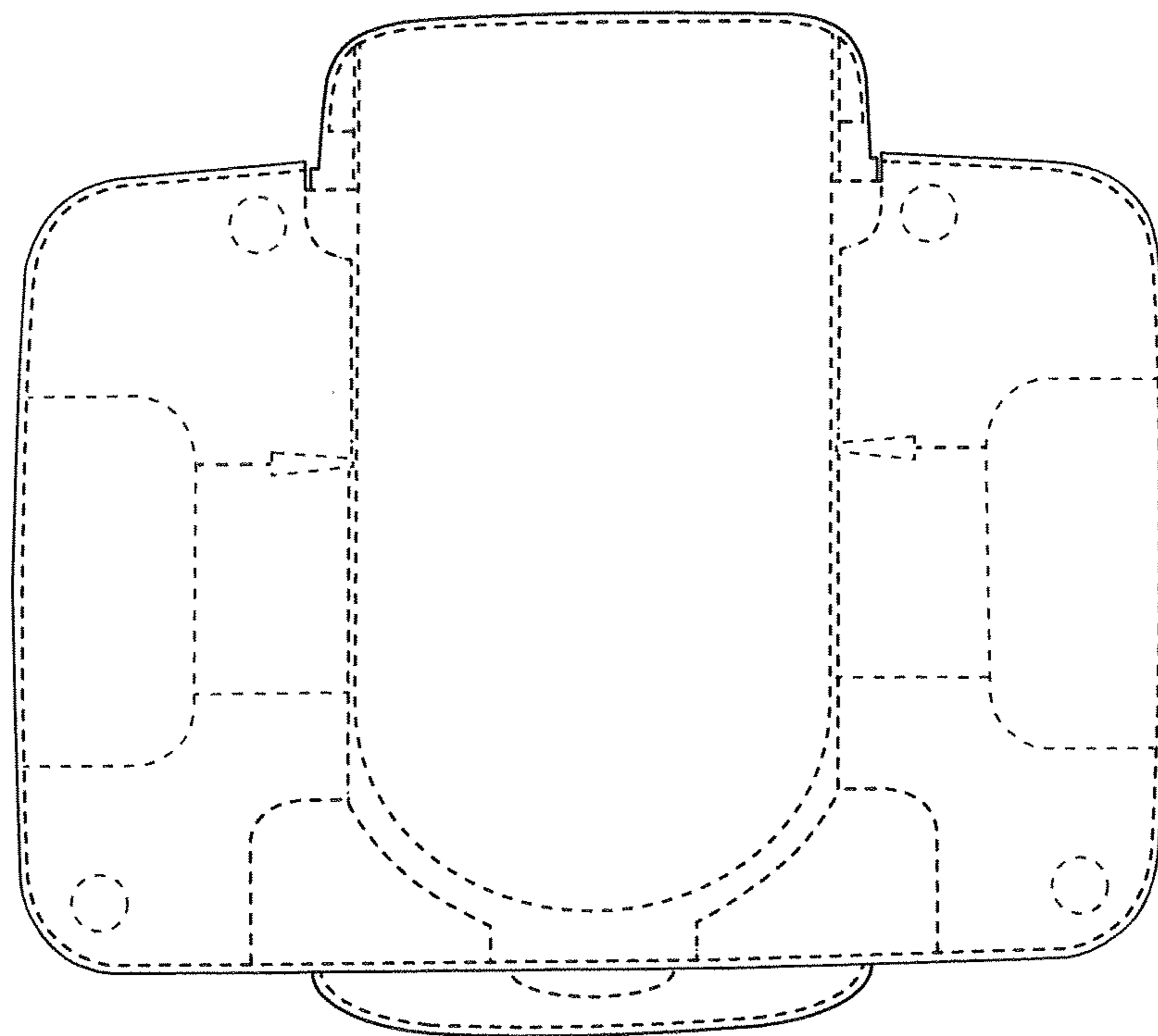


FIG. 7